



US00D830285S

(12) **United States Design Patent**
Fife

(10) **Patent No.:** **US D830,285 S**
(45) **Date of Patent:** **** Oct. 9, 2018**

(54) **MODULAR RACKING SYSTEM**
(71) Applicant: **Gunner Fab, LLC**, Kerrville, TX (US)
(72) Inventor: **Rob Fife**, Mountain Home, TX (US)
(73) Assignee: **Gunner Fab, LLC**, Kerrville, TX (US)
(**) Term: **15 Years**

D479,186 S * 9/2003 Hassett D12/416
D530,983 S * 10/2006 Krieger D12/416
D632,510 S * 2/2011 Johnson D12/416
D650,733 S * 12/2011 Cooney D12/416
D658,568 S * 5/2012 Carrier D12/416
D713,849 S * 9/2014 Kirwer D12/416
D765,581 S * 9/2016 Pumphrey D12/416
D777,081 S * 1/2017 Keathley D12/416

* cited by examiner

(21) Appl. No.: **29/630,887**

Primary Examiner — Katrina A Betton

(22) Filed: **Dec. 22, 2017**

(74) *Attorney, Agent, or Firm* — Gunn, Lee & Cave, PC

Related U.S. Application Data

(62) Division of application No. 29/552,315, filed on Jan. 21, 2016, now Pat. No. Des. 809,450.

(51) **LOC (11) Cl.** **12-16**

(52) **U.S. Cl.**
USPC **D12/416**

(58) **Field of Classification Search**
USPC D12/416, 415, 417, 418, 419, 423;
D6/513, 514, 611, 553, 556, 559;
D7/601–602, 605–607; D3/216, 217, 319
CPC B65D 33/00; B64D 11/0636; B60N 3/004;
B60R 7/14; B60R 7/08
See application file for complete search history.

(56) **References Cited**

U.S. PATENT DOCUMENTS

D473,510 S * 4/2003 Denmeade D12/416
D473,840 S * 4/2003 Sauer D12/416

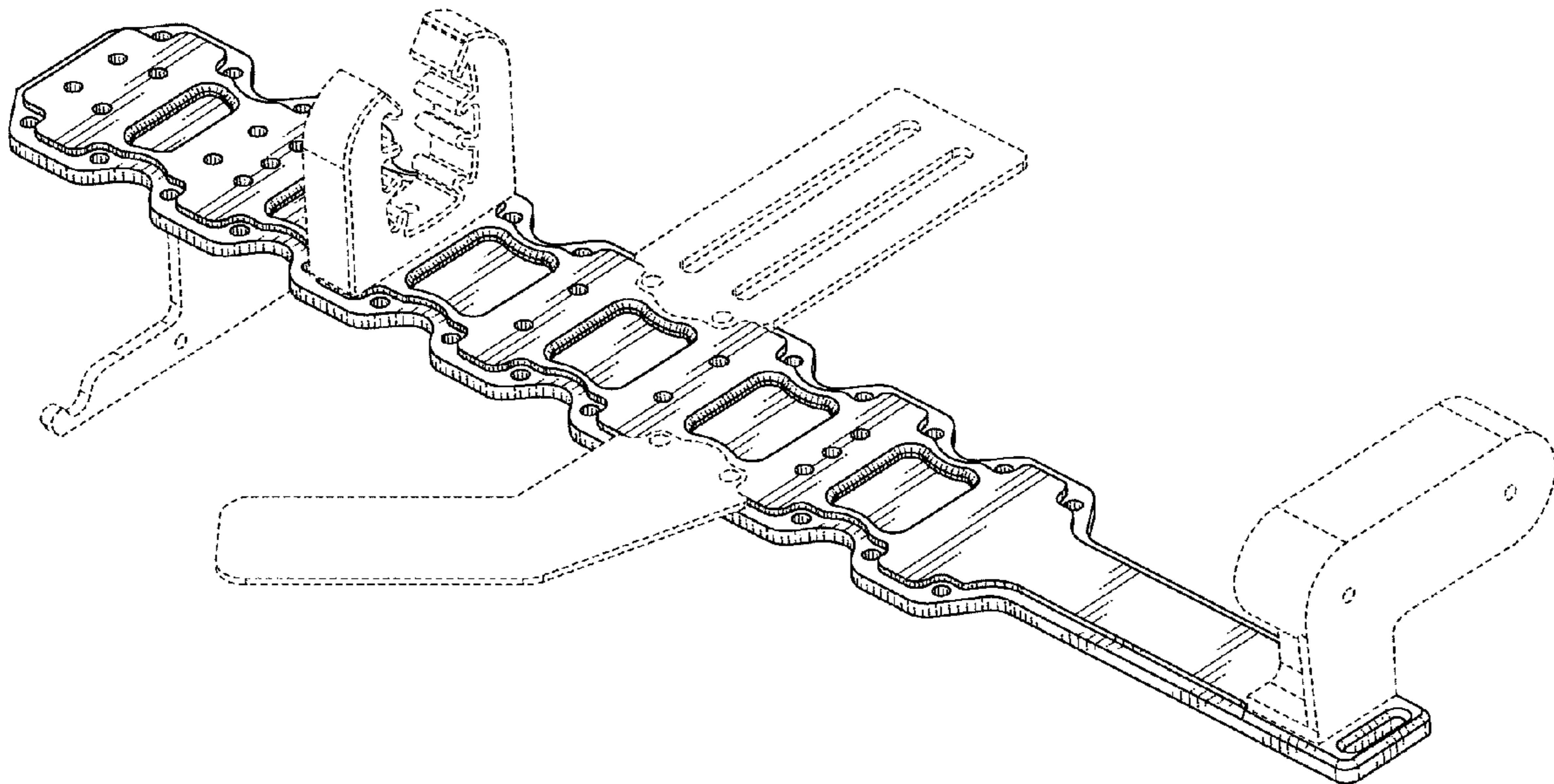
(57) **CLAIM**

An ornamental design for a modular racking system, as shown and described.

DESCRIPTION

FIG. 1 is a front-bottom isometric view of my modular racking system.
FIG. 2 is a front view.
FIG. 3 is a rear view.
FIG. 4 is a left side view.
FIG. 5 is a right side view.
FIG. 6 is a top view of the embodiment; and,
FIG. 7 is a bottom view of the embodiment.
Broken lines in the drawings are not intended to represent claimed subject matter.

1 Claim, 5 Drawing Sheets



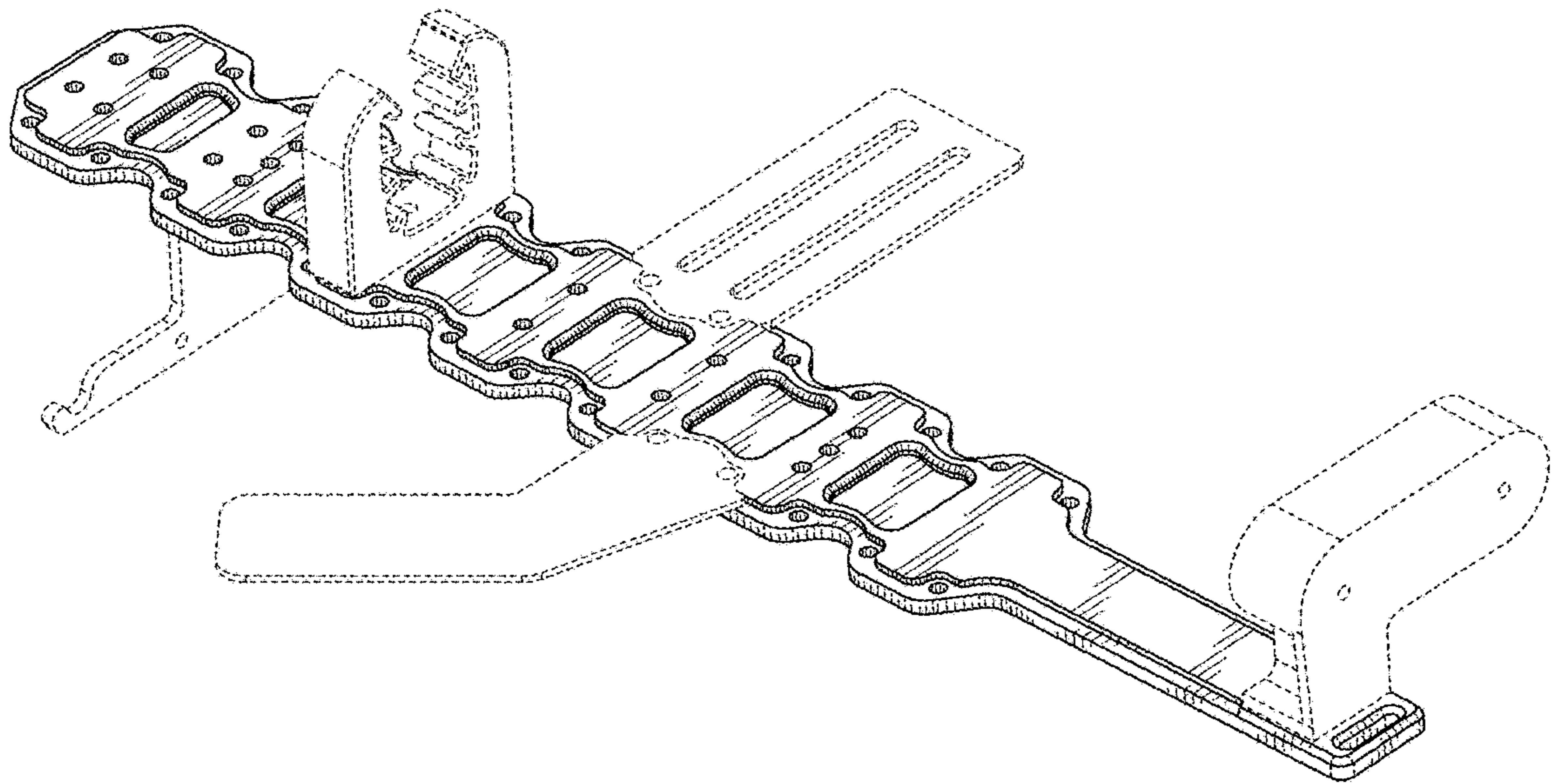


FIG. 1

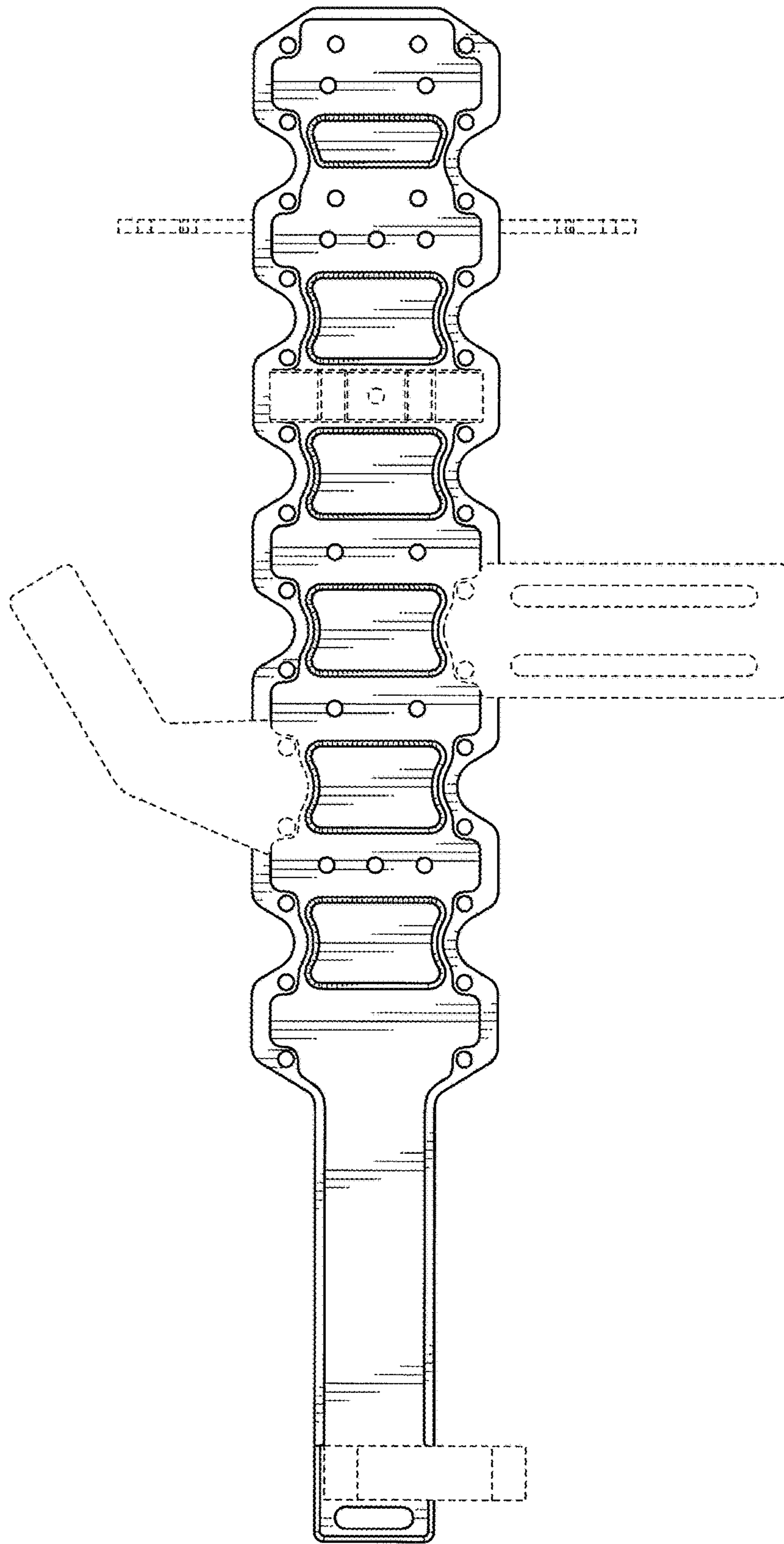


FIG. 2

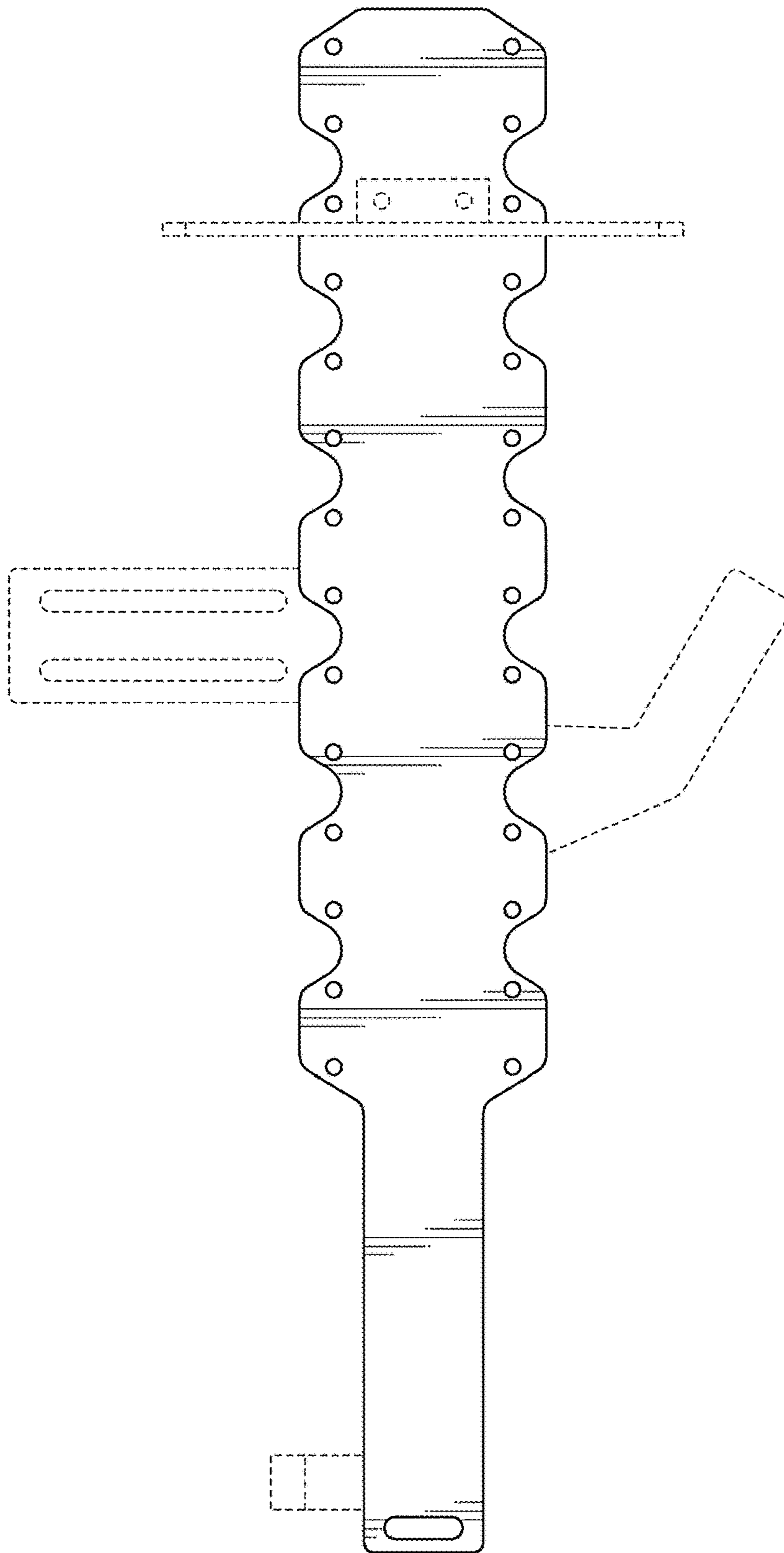


FIG. 3

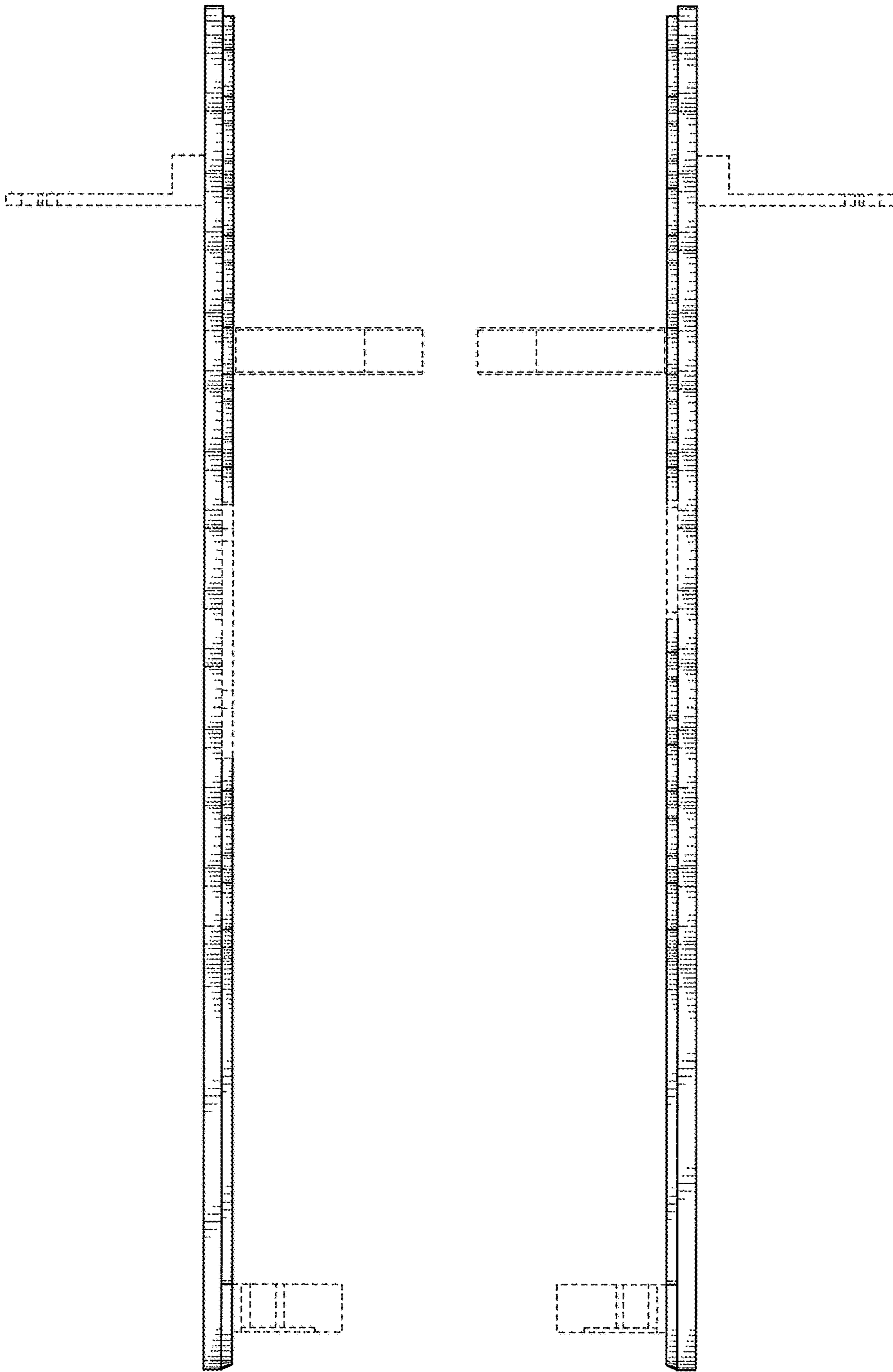


FIG. 4

FIG. 5

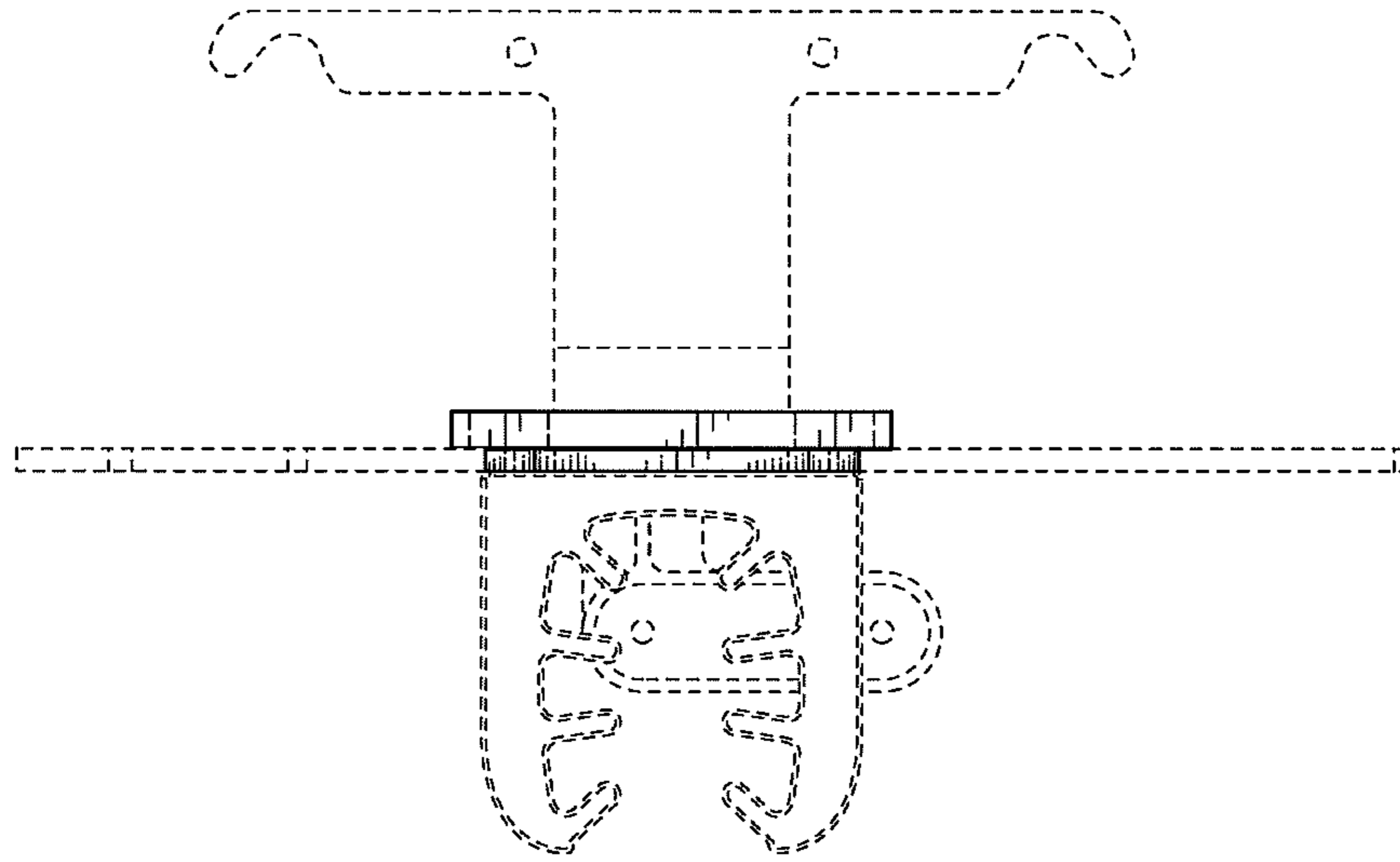


FIG. 6

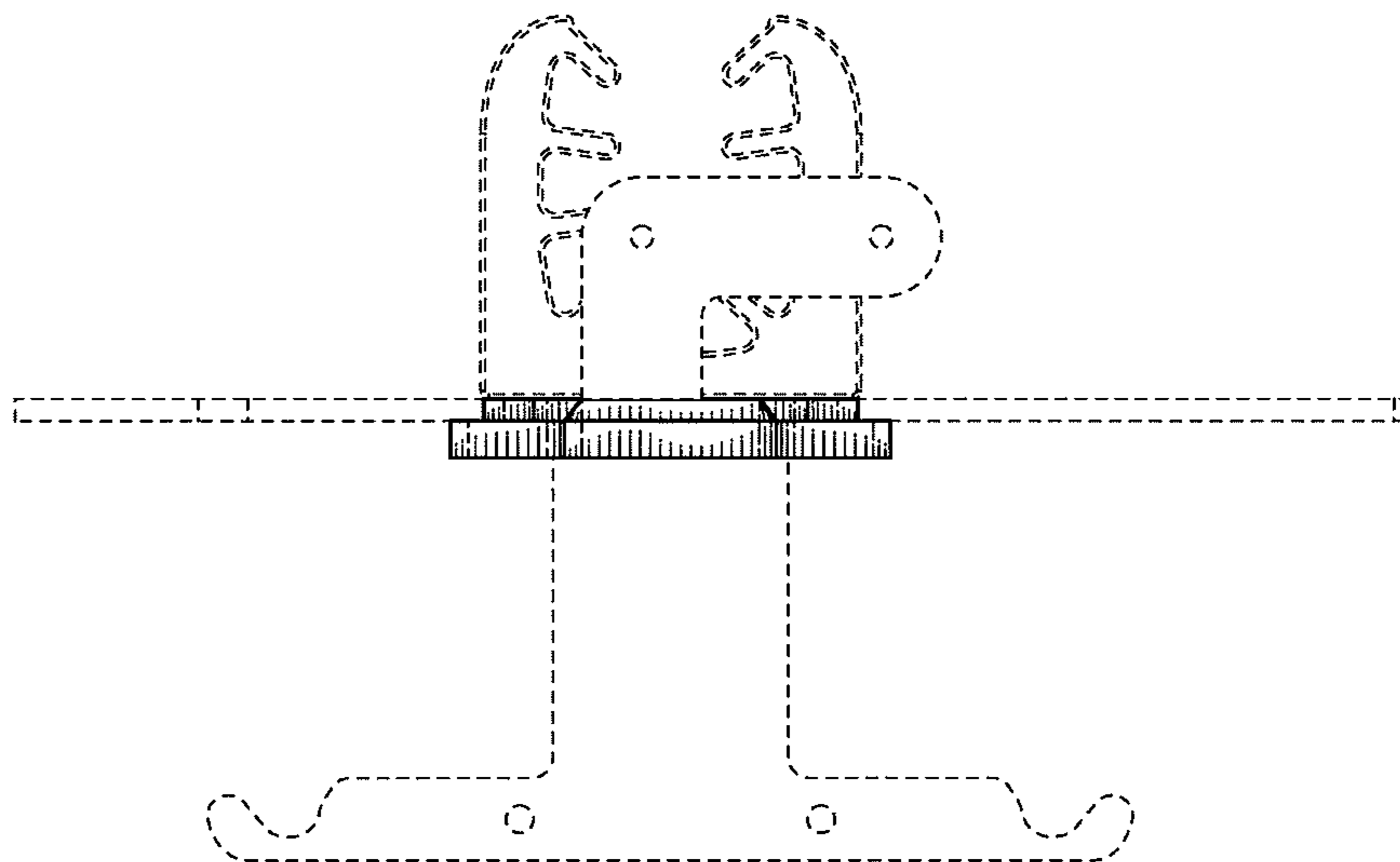


FIG. 7