



US00D830282S

(12) **United States Design Patent** (10) **Patent No.:** **US D830,282 S**
Schmeichel et al. (45) **Date of Patent:** **** Oct. 9, 2018**

(54) **FOLDING COVER ASSEMBLY**
(71) Applicant: **Agri-Cover, Inc.**, Jamestown, ND (US)
(72) Inventors: **Charles M. Schmeichel**, Jamestown, ND (US); **John W. Simon**, Jamestown, ND (US)

5,364,154 A 11/1994 Kaiser
5,385,377 A 1/1995 Girard
5,427,428 A 6/1995 Ericson et al.
5,480,206 A 1/1996 Hathaway et al.
(Continued)

(73) Assignee: **Agri-Cover, Inc.**, Jamestown, ND (US)
(**) Term: **15 Years**

FOREIGN PATENT DOCUMENTS

CN 1827424 A 9/2006
WO WO 99/36290 7/1999

(21) Appl. No.: **29/582,684**
(22) Filed: **Oct. 28, 2016**
(51) **LOC (11) Cl.** **12-16**
(52) **U.S. Cl.**
USPC **D12/401**
(58) **Field of Classification Search**
USPC D12/401-405; D6/610, 611, 596,
D6/601-603, 615, 617, 621; D7/332,
D7/334-337
CPC ... B62J 19/00; B62J 19/18; B62J 19/26; B62J
19/24; B62J 19/28; B62J 19/22
See application file for complete search history.

OTHER PUBLICATIONS

Agri-Cover, Inc., "LOMAX Hard Tri-Fold Cover Installation Instructions and Owners Manual", published on Aug. 4, 2016 by Agri-Cover, Inc., Jamestown ND, USA.
(Continued)

Primary Examiner — Katrina A Betton
(74) *Attorney, Agent, or Firm* — Moore & Hanse, PLLC; Robert C. Freed

(57) **CLAIM**

We claim the ornamental design for a folding cover assembly, as shown.

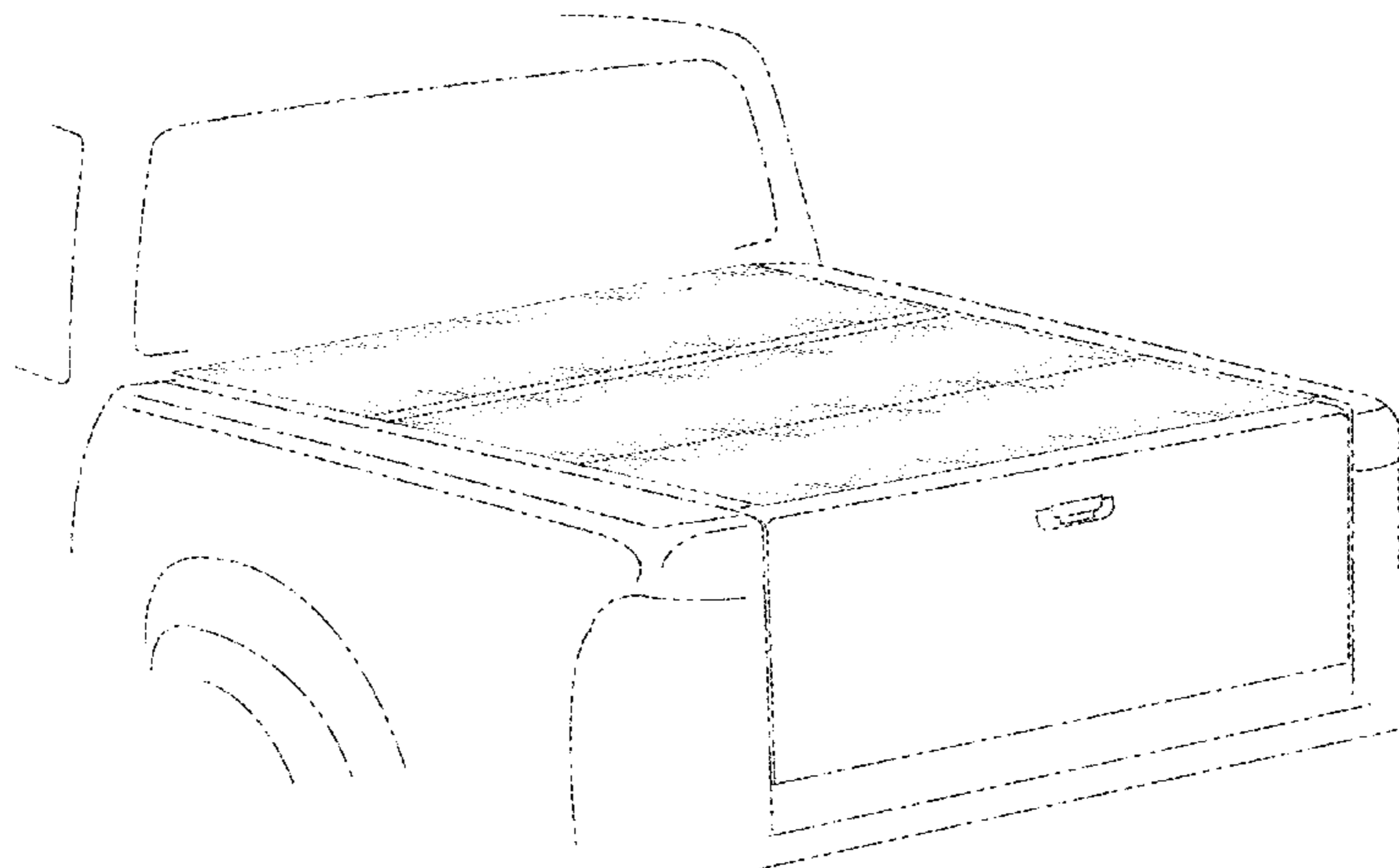
DESCRIPTION

FIG. 1 is a perspective view of a folding cover assembly showing our new design;
FIG. 2 is a top plan view thereof;
FIG. 3 is a left side elevational view thereof, which is a mirror image of the right side elevational view thereof;
FIG. 4 is an enlarged view of a portion of the left side elevational view thereof that is encircled in FIG. 3, and which is a mirror image of such an enlarged view thereof of similar portion of the right side elevational view thereof; and,
FIG. 5 is a rear elevational view thereof and the front elevational view thereof is obstructed by the cab of the pickup truck and is not visible.

1 Claim, 5 Drawing Sheets

(56) **References Cited**
U.S. PATENT DOCUMENTS

2,906,323 A 9/1959 Macy
3,923,334 A 12/1975 Key
4,036,521 A 7/1977 Clenet
4,272,119 A 6/1981 Adams
4,273,377 A 6/1981 Alexander
4,838,602 A 6/1989 Nett
4,923,240 A 5/1990 Swanson
5,040,843 A 8/1991 Russell et al.
5,058,652 A 10/1991 Wheatley et al.
5,067,766 A 11/1991 Lovaas
5,076,338 A 12/1991 Schmeichel et al.
5,174,353 A 12/1992 Schmeichel et al.
5,251,951 A 10/1993 Wheatley
5,263,761 A 11/1993 Hathaway et al.
5,350,213 A 9/1994 Bernardo



(56)

References Cited

U.S. PATENT DOCUMENTS

5,487,585 A 1/1996 Wheatley
 5,522,635 A 6/1996 Downey
 5,553,652 A 9/1996 Rushford
 5,584,521 A 12/1996 Hathaway et al.
 5,595,417 A 1/1997 Thoman et al.
 5,655,808 A 8/1997 Wheatley
 5,688,017 A 11/1997 Bennett
 5,758,922 A 6/1998 Wheatley
 5,775,765 A 7/1998 Kintz
 5,788,315 A 8/1998 Tucker
 5,860,691 A 1/1999 Thomsen et al.
 5,906,407 A 5/1999 Schmeichel
 6,024,401 A 2/2000 Wheatley et al.
 6,024,402 A 2/2000 Wheatley
 6,030,021 A 2/2000 Ronai
 6,053,556 A 4/2000 Webb
 6,234,561 B1 5/2001 Huotari
 6,257,306 B1 7/2001 Weldy
 6,257,647 B1 7/2001 Ninness et al.
 6,264,266 B1 7/2001 Rusu et al.
 6,439,640 B1 8/2002 Wheatley
 6,499,791 B2 12/2002 Wheatley
 6,543,835 B2 4/2003 Schmeichel et al.
 6,607,234 B1 8/2003 Schmeichel
 6,672,644 B2 1/2004 Schmeichel
 6,719,353 B1 4/2004 Isler et al.
 6,851,738 B1 2/2005 Schmeichel et al.
 6,948,761 B2 9/2005 Haack et al.
 7,066,524 B2 6/2006 Schmeichel et al.
 7,104,586 B2 9/2006 Schmeichel et al.
 7,334,830 B2 2/2008 Weldy
 7,445,264 B2 11/2008 Spencer et al.
 7,472,941 B2 1/2009 Schmeichel et al.
 7,484,788 B2 2/2009 Calder et al.
 7,537,264 B2 5/2009 Maimin et al.
 7,621,582 B2 11/2009 Schmeichel et al.
 D620,877 S 8/2010 Rusher et al.
 7,815,239 B1 10/2010 Schmeichel et al.
 7,828,361 B1 11/2010 Spencer
 D639,229 S * 6/2011 van Voorst tot Voorst D12/401
 8,033,591 B2 10/2011 Schmeichel et al.
 8,061,758 B2 11/2011 Maimin et al.
 8,083,281 B2 12/2011 Schmeichel et al.
 8,167,353 B2 5/2012 Schmeichel et al.
 8,182,021 B2 5/2012 Maimin et al.
 8,262,148 B2 9/2012 Rusher et al.
 8,308,218 B2 11/2012 Kneifl et al.
 8,328,267 B2 12/2012 Schmeichel et al.
 8,336,946 B2 12/2012 Schrader et al.
 8,439,423 B2 5/2013 Schmeichel et al.
 D687,760 S * 8/2013 Gros D12/401
 D687,761 S * 8/2013 Gros D12/401
 8,511,736 B2 8/2013 Williamson et al.
 8,544,934 B2 10/2013 Maimin et al.
 8,567,843 B2 10/2013 Schmeichel et al.
 8,585,120 B2 11/2013 Rusher et al.
 8,596,708 B2 12/2013 Schmeichel et al.
 8,690,224 B2 4/2014 Maimin et al.
 8,714,622 B2 5/2014 Spencer et al.
 8,857,887 B1 10/2014 Schmeichel
 8,939,494 B2 1/2015 Maimin et al.
 8,960,764 B2 2/2015 Spencer
 8,960,765 B2 2/2015 Facchinello et al.
 D727,244 S * 4/2015 Hashimoto D12/401
 D733,033 S * 6/2015 Rohr D12/401
 9,045,069 B2 6/2015 Schmeichel et al.
 9,056,542 B2 6/2015 Schmeichel
 9,211,834 B2 12/2015 Facchinello et al.
 9,254,735 B2 2/2016 Spencer
 9,260,139 B2 2/2016 Schmeichel
 9,278,611 B2 3/2016 Maimin et al.
 9,290,122 B2 3/2016 Spencer
 9,393,854 B2 7/2016 Schmeichel et al.
 D776,601 S * 1/2017 McDonald, II D12/401

9,533,555 B2 1/2017 Facchinello et al.
 9,545,835 B2 1/2017 Facchinello et al.
 9,597,995 B1 3/2017 Weltikol et al.
 9,630,479 B2 4/2017 Facchinello et al.
 9,694,656 B2 7/2017 Maimin et al.
 9,694,657 B2 7/2017 Carlson
 9,738,143 B2 8/2017 Weltikol et al.
 9,764,628 B2 9/2017 Facchinello et al.
 9,815,357 B2 11/2017 Hall
 9,849,765 B2 12/2017 Carlson
 2001/0020792 A1 9/2001 Huotari
 2002/0096268 A1 * 7/2002 Schmeichel B6J 7/102
 160/328
 2002/0096910 A1 7/2002 Schmeichel et al.
 2006/0267370 A1 11/2006 Wheatley et al.
 2008/0100088 A1 5/2008 Calder et al.
 2010/0019529 A1 1/2010 Alston
 2010/0019530 A1 1/2010 Schmeichel et al.
 2010/0133872 A1 6/2010 Kosinski
 2010/0270824 A1 10/2010 Yue
 2011/0169296 A1 7/2011 Schrader et al.
 2012/0049568 A1 3/2012 Wolf et al.
 2012/0274091 A1 11/2012 Yue
 2012/0274092 A1 11/2012 Yue
 2012/0274093 A1 11/2012 Yue
 2013/0033061 A1 2/2013 Yue
 2013/0114997 A1 5/2013 Yue
 2015/0061315 A1 3/2015 Facchinello et al.
 2015/0165959 A1 6/2015 Yue
 2015/0165960 A1 6/2015 Yue
 2016/0096421 A1 4/2016 Facchinello et al.
 2016/0096422 A1 4/2016 Facchinello et al.
 2016/0096423 A1 4/2016 Facchinello et al.
 2017/0066311 A1 3/2017 Facchinello et al.
 2017/0144522 A1 5/2017 Facchinello et al.
 2017/0144523 A1 5/2017 Facchinello et al.
 2017/0197498 A1 7/2017 Facchinello et al.
 2018/0118004 A1 * 5/2018 Schmeichel B6J 7/141

OTHER PUBLICATIONS

Agri-Cover, Inc., "LOMAX Hard Tri-Fold Cover Display Sign Aug. 2016", published in Aug. 2016 by Agri-Cover, Inc., Jamestown ND, USA.
 Agri-Cover, Inc., "LOMAX Hard Tri-Fold Cover Brochure Aug. 2016", published in Aug. 2016 by Agri-Cover, Inc., Jamestown ND, USA.
 Agri-Cover, Inc., "LOMAX Hard Tri-Fold Cover Colorado Canyon Clamp Instructions Aug. 9, 2016", published on Aug. 9, 2016 by Agri-Cover, Inc., Jamestown ND, USA.
 Agri-Cover, Inc., "LOMAX Hard Tri-Fold Cover Silverado Sierra Clamp Instructions Aug. 9, 2016", published on Aug. 9, 2016 by Agri-Cover, Inc., Jamestown ND, USA.
 Laurmark Enterprises, Inc., "Bakflip Hard Folding Cover Installation Sheet rev Apr. 13, 2016", unknown publication date by Laurmark Enterprises, Inc., San Fernando CA, USA.
 Agri-Cover, Inc., "Image published on Facebook website Jun. 24, 2016", published on Jun. 24, 2016 on Facebook.com by Agri-Cover, Inc., Jamestown ND, USA.
 Agri-Cover, Inc., "Image published on Facebook website Jul. 20, 2016", published on Jul. 20, 2016 on Facebook.com by Agri-Cover, Inc., Jamestown ND, USA.
 Agri-Cover, Inc., "Image published on Facebook website Jul. 28, 2016", published on Jul. 28, 2016 on Facebook.com by Agri-Cover, Inc., Jamestown ND, USA.
 Agri-Cover, Inc., "Image published on Facebook website Aug. 27, 2016", published on Aug. 27, 2016 on Facebook.com by Agri-Cover, Inc., Jamestown ND, USA.
 Agri-Cover, Inc., "Image published on Facebook website Aug. 28, 2016", published on Aug. 28, 2016 on Facebook.com by Agri-Cover, Inc., Jamestown ND, USA.
 Agri-Cover, Inc., "Image published on Facebook website Aug. 29, 2016", published on Aug. 29, 2016 on Facebook.com by Agri-Cover, Inc., Jamestown ND, USA.

(56)

References Cited

OTHER PUBLICATIONS

Agri-Cover, Inc., "Images published on Agricover shopping website Sep. 1, 2016", published on Sep. 1, 2016 on shop.agricover.com by Agri-Cover, Inc., Jamestown ND, USA.

Agri-Cover, Inc., "Videos published on Agricover shopping website Aug. 9, 2016", published on Aug. 9, 2016 on shop.agricover.com by Agri-Cover, Inc., Jamestown ND, USA.

Agri-Cover, Inc., "Promotional document for Access booth at Sema show published Oct. 15, 2016", published on Oct. 15, 2016 by mail by Agri-Cover, Inc., Jamestown ND, USA.

Agri-Cover, Inc., "Image published on Agricover shopping website Jul. 15, 2016", published on Jul. 15, 2016 on shop.agricover.com by Agri-Cover, Inc., Jamestown ND, USA.

Agri-Cover, Inc., "Image published on Twitter website Jul. 28, 2016", published on Jul. 28, 2016 on Twitter.com by Agri-Cover, Inc., Jamestown ND, USA.

Agri-Cover, Inc., "Image published on Twitter website Aug. 10, 2016", published on Aug. 10, 2016 on Twitter.com by Agri-Cover, Inc., Jamestown ND, USA.

Agri-Cover, Inc., "Image published on Twitter website Aug. 12, 2016", published on Aug. 12, 2016 on Twitter.com by Agri-Cover, Inc., Jamestown ND, USA.

Agri-Cover, Inc., "Image published on Twitter website Aug. 26, 2016", published on Aug. 26, 2016 on Twitter.com by Agri-Cover, Inc., Jamestown ND, USA.

Agri-Cover, Inc., "Image published on Twitter website Aug. 27, 2016", published on Aug. 27, 2016 on Twitter.com by Agri-Cover, Inc., Jamestown ND, USA.

Agri-Cover, Inc., "Image published on Twitter website Aug. 28, 2016", published on Aug. 28, 2016 on Twitter.com by Agri-Cover, Inc., Jamestown ND, USA.

Agri-Cover, Inc., "Image published on Twitter website Aug. 29, 2016", published on Aug. 29, 2016 on Twitter.com by Agri-Cover, Inc., Jamestown ND, USA.

Agri-Cover, Inc., "Image published on Twitter website Aug. 30, 2016", published on Aug. 30, 2016 on Twitter.com by Agri-Cover, Inc., Jamestown ND, USA.

Agri-Cover, Inc., "Image published on Twitter website Aug. 31, 2016", published on Aug. 31, 2016 on Twitter.com by Agri-Cover, Inc., Jamestown ND, USA.

Agri-Cover, Inc., "Image published on Twitter website Sep. 1, 2016", published on Sep. 1, 2016 on Twitter.com by Agri-Cover, Inc., Jamestown ND, USA.

Agri-Cover, Inc., "Image published on Twitter website Sep. 8, 2016", published on Sep. 8, 2016 on Twitter.com by Agri-Cover, Inc., Jamestown ND, USA.

Agri-Cover, Inc., "Image published on Twitter website Sep. 16, 2016", published on Sep. 16, 2016 on Twitter.com by Agri-Cover, Inc., Jamestown ND, USA.

Agri-Cover, Inc., "Image published on Twitter website Sep. 23, 2016", published on Sep. 23, 2016 on Twitter.com by Agri-Cover, Inc., Jamestown ND, USA.

Agri-Cover, Inc., "Image published on Twitter website Oct. 5, 2016", published on Oct. 5, 2016 on Twitter.com by Agri-Cover, Inc., Jamestown ND, USA.

Agri-Cover, Inc., "Image published on Twitter website Oct. 19, 2016", published on Oct. 19, 2016 on Twitter.com by Agri-Cover, Inc., Jamestown ND, USA.

Agri-Cover, Inc., "Image published on Twitter website Oct. 27, 2016", published on Oct. 27, 2016 on Twitter.com by Agri-Cover, Inc., Jamestown ND, USA.

Agri-Cover, Inc., "Video published on Twitter website Jul. 8, 2016", published on Jul. 8, 2016 on Twitter.com by Agri-Cover, Inc., Jamestown ND, USA.

Agri-Cover, Inc., "Video published on Twitter website Aug. 5, 2016", published on Aug. 5, 2016 on Twitter.com by Agri-Cover, Inc., Jamestown ND, USA.

Agri-Cover, Inc., "Video published on Twitter website Aug. 16, 2016", published on Aug. 16, 2016 on Twitter.com by Agri-Cover, Inc., Jamestown ND, USA.

Agri-Cover, Inc., "Video published on Twitter website Aug. 26, 2016", published on Aug. 26, 2016 on Twitter.com by Agri-Cover, Inc., Jamestown ND, USA.

Agri-Cover, Inc., "Video published on Twitter website Oct. 11, 2016", published on Oct. 11, 2016 on Twitter.com by Agri-Cover, Inc., Jamestown ND, USA.

Agri-Cover, Inc., "Ease of Use video published on YouTube website Aug. 9, 2016", published on Aug. 9, 2016 on Youtube.com by Agri-Cover, Inc., Jamestown ND, USA.

Agri-Cover, Inc., "Fast Install video published on YouTube website Jun. 24, 2016", published on Jun. 24, 2016 on Youtube.com by Agri-Cover, Inc., Jamestown ND, USA.

Agri-Cover, Inc., "Installation video published on YouTube website Oct. 5, 2016", published on Oct. 5, 2016 on Youtube.com by Agri-Cover, Inc., Jamestown ND, USA.

Agri-Cover, Inc., "Introducing the Lomax Hard Tri-Fold Cover video published on YouTube website Jul. 28, 2016", published on Jul. 28, 2016 on Youtube.com by Agri-Cover, Inc., Jamestown ND, USA.

Agri-Cover, Inc., "Removal and Reinstall video published on YouTube website Oct. 5, 2016", published on Oct. 5, 2016 on Youtube.com by Agri-Cover, Inc., Jamestown ND, USA.

Agri-Cover, Inc., "Security video published on YouTube website Aug. 18, 2016", published on Aug. 18, 2016 on Youtube.com by Agri-Cover, Inc., Jamestown ND, USA.

Agri-Cover, Inc., "Strength video published on YouTube website Jun. 24, 2016", published on Jun. 24, 2016 on Youtube.com by Agri-Cover, Inc., Jamestown ND, USA.

* cited by examiner

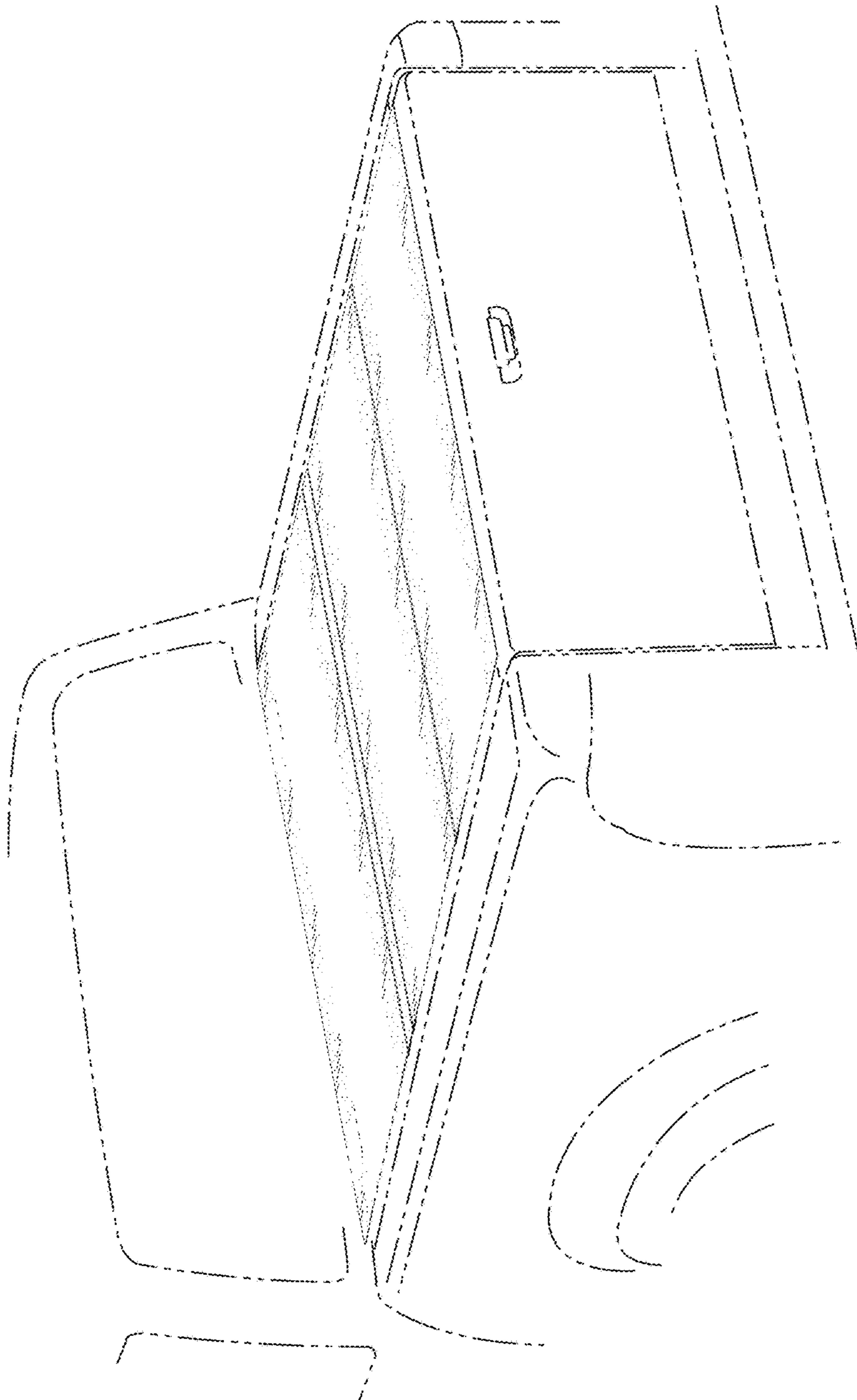


Fig. 1

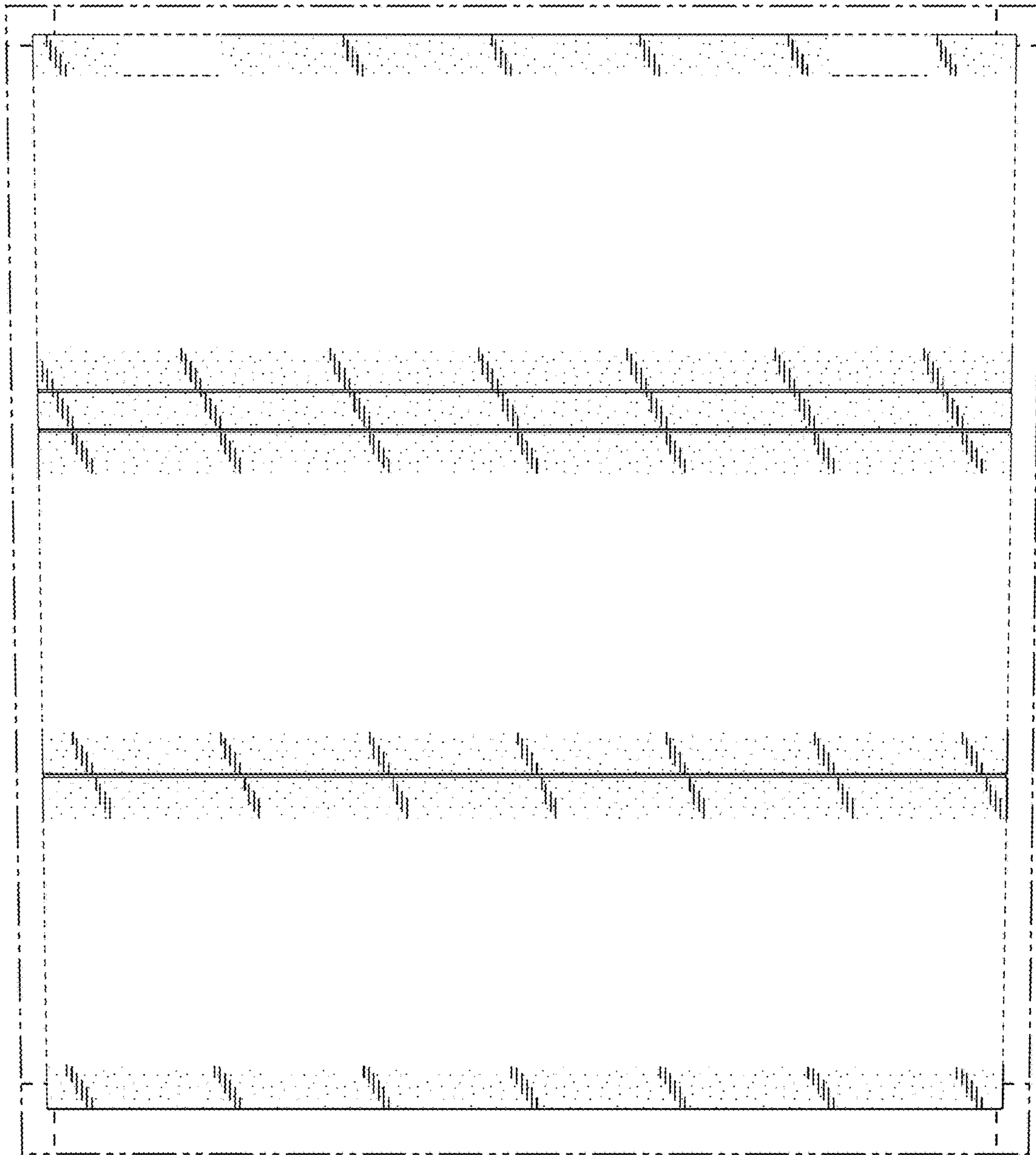


Fig. 2

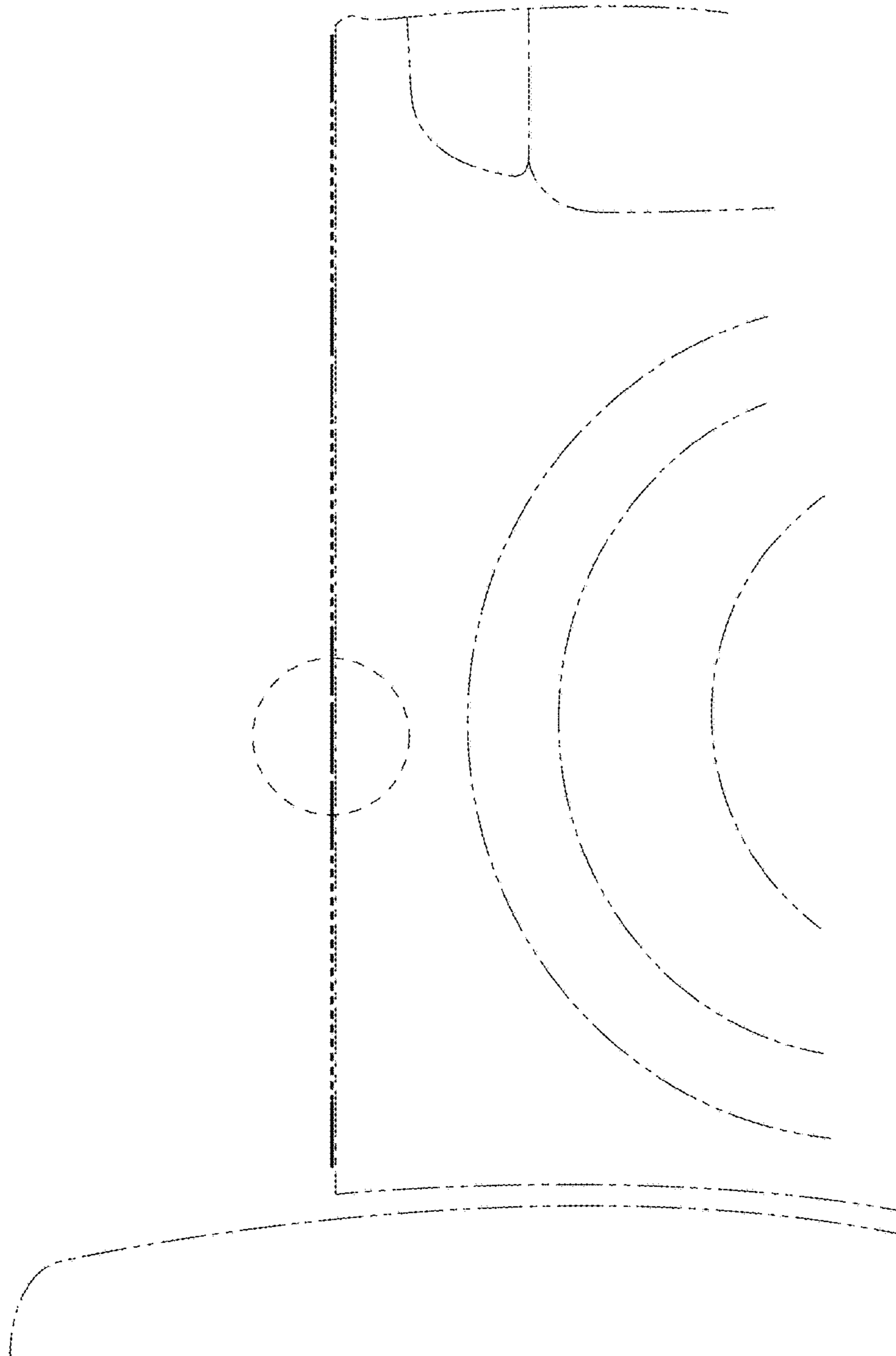


Fig. 3

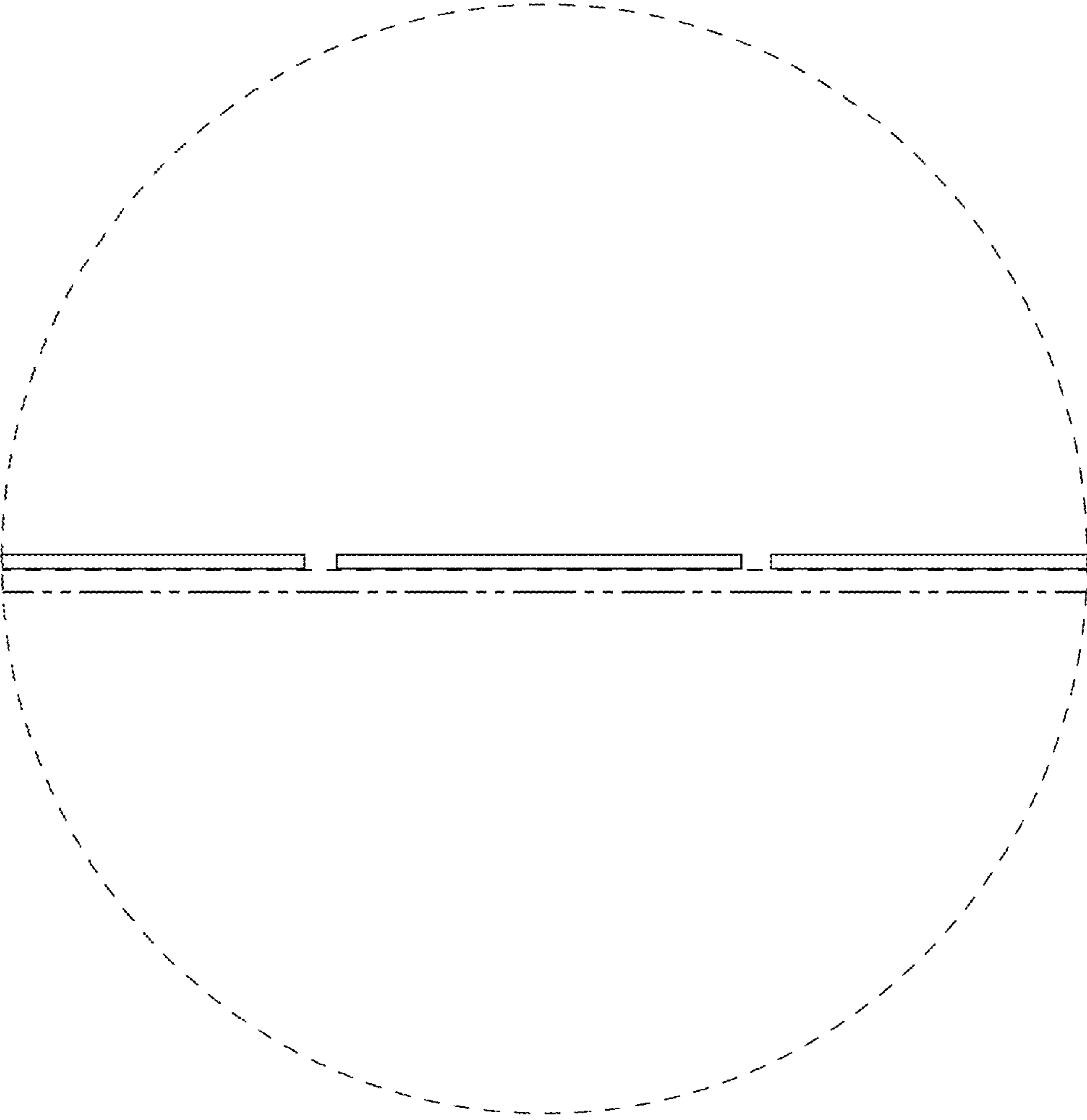


Fig. 4

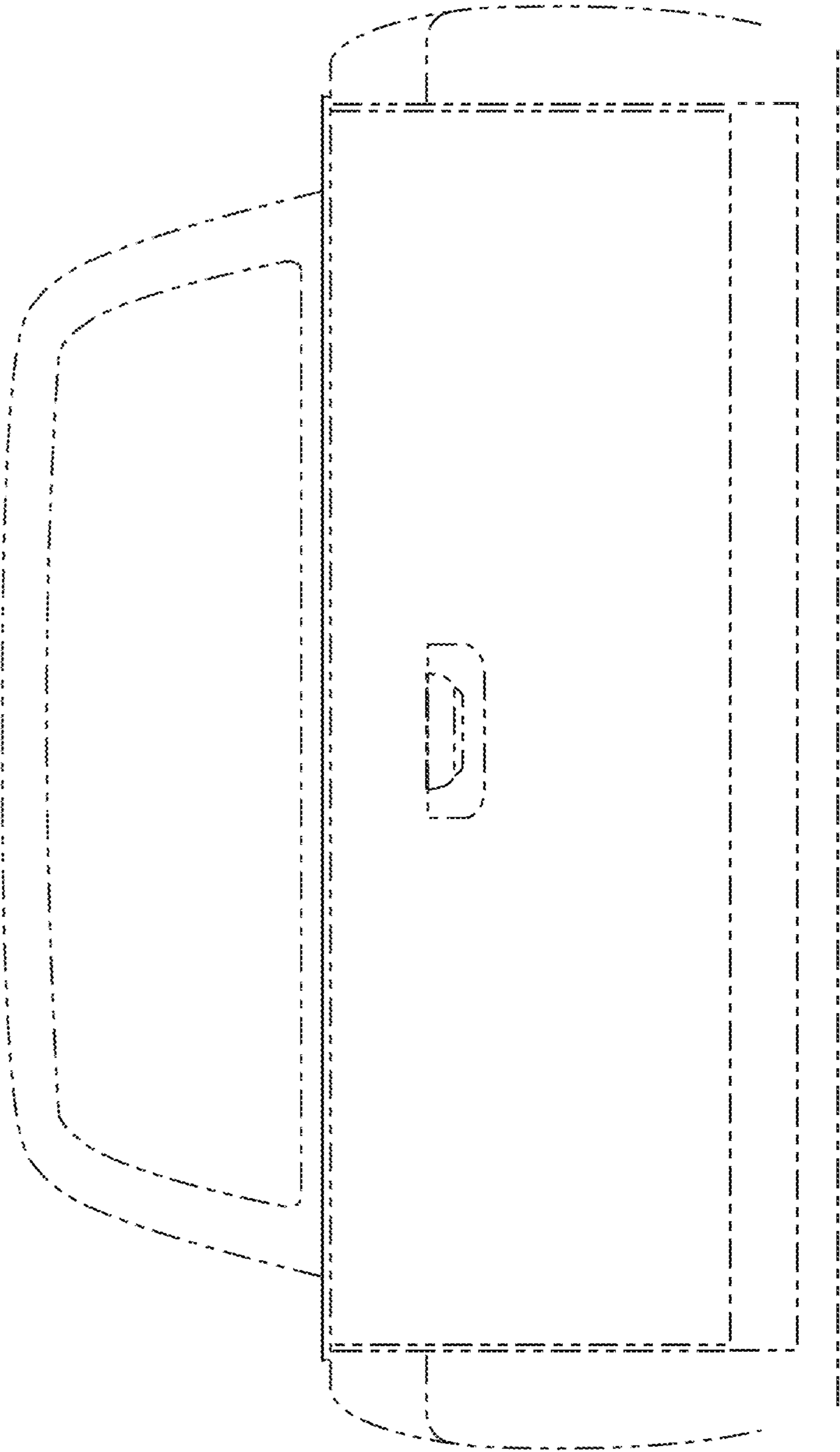


Fig. 5