



US00D830280S

(12) **United States Design Patent**
Erickson

(10) **Patent No.:** **US D830,280 S**

(45) **Date of Patent:** **** Oct. 9, 2018**

- (54) **WHEEL CHOCK**
- (71) Applicant: **B. ERICKSON MANUFACTURING LTD.**, Thamesville (CA)
- (72) Inventor: **Brent Erickson**, Thamesville (CA)
- (73) Assignee: **B. ERICKSON MANUFACTURING LTD.**, Thamesville, Ontario (CA)

- 2,723,005 A * 11/1955 Wink B60T 3/00
188/32
- D181,031 S * 9/1957 Wilson et al. D12/217
- 2,818,940 A * 1/1958 Boyle B60T 3/00
188/32
- D200,967 S * 4/1965 King D12/217
- D215,325 S * 9/1969 Merlo D12/217
- D219,236 S * 11/1970 Hudak et al. D12/217

(Continued)

- (**) Term: **15 Years**
- (21) Appl. No.: **29/589,759**
- (22) Filed: **Jan. 4, 2017**
- (51) **LOC (11) Cl.** **12-16**
- (52) **U.S. Cl.**
USPC **D12/217**
- (58) **Field of Classification Search**
USPC D12/400, 217, 223; D34/31; D8/354,
D8/356; D21/685
CPC B60T 3/00; B60T 1/12; B60T 1/14; B64F
1/12; B64F 1/16; B60P 3/06; B60P 3/077;
B60P 3/079
See application file for complete search history.

OTHER PUBLICATIONS

Wheel Chocks. (Design—© Questel) orbit.com.[online PDF] 7 pgs. Publish Dates range from Nov. 27, 1978 to Sep. 5, 2017. [Retrieved on Mar. 21, 2018] <https://sobjprd.questel.fr/export/QPTUJ214/pdf2/1f0917f9-8a11-4cef-9e79-b5194f5fd027-222904.pdf>.*

Primary Examiner — Susan Bennett Hattan
Assistant Examiner — Marie D. Fast Horse

(57) **CLAIM**

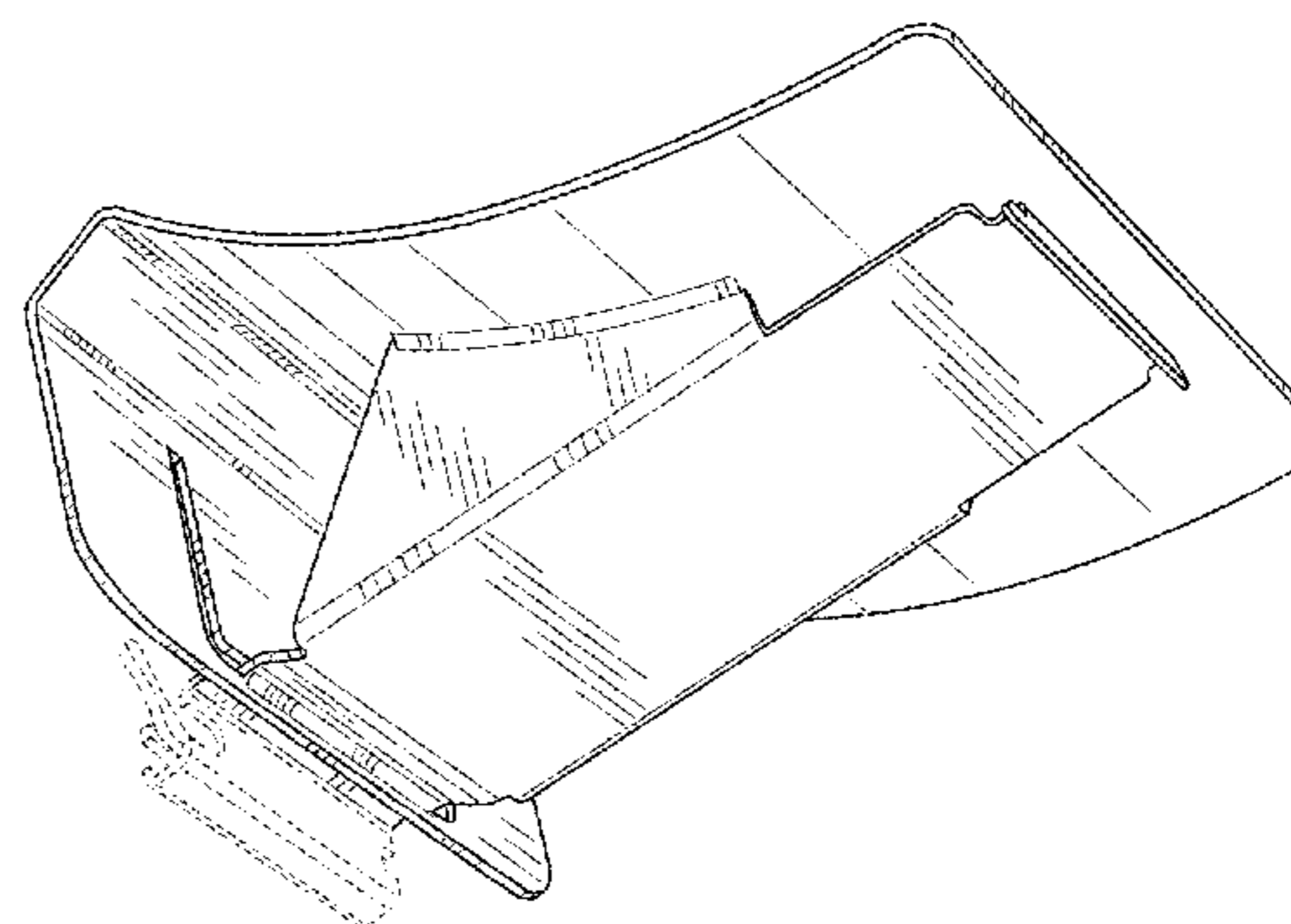
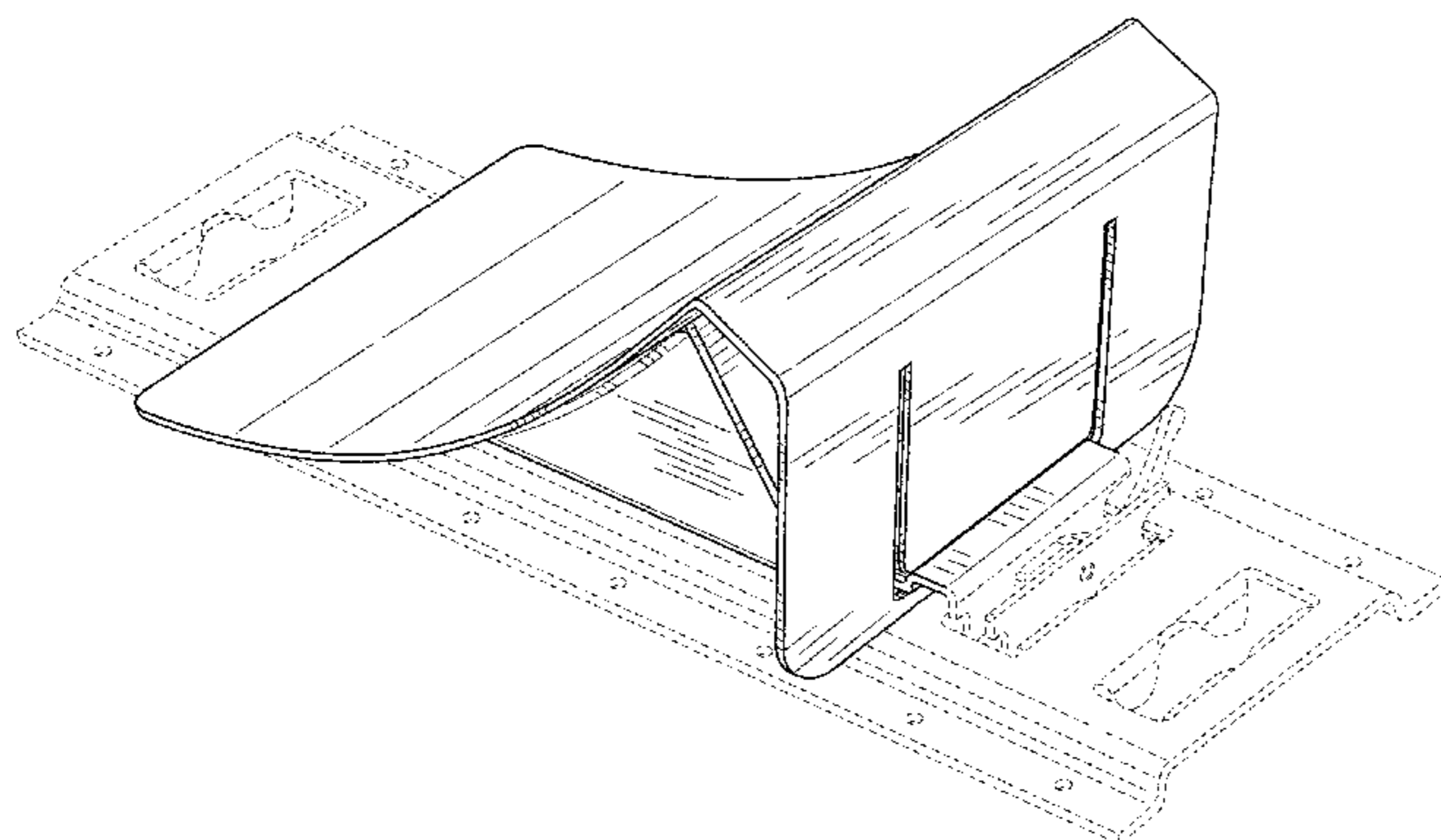
The ornamental design for a wheel chock, as shown and described.

DESCRIPTION

FIG. 1 is a perspective view of the wheel chock, shown on a track;
FIG. 2 is another perspective view of the wheel chock;
FIG. 3 is another perspective view of the wheel chock;
FIG. 4 is a side view of the wheel chock;
FIG. 5 is a rear view of the wheel chock;
FIG. 6 is another side view of the wheel chock;
FIG. 7 is a front view of the wheel chock;
FIG. 8 is a top view of the wheel chock; and,
FIG. 9 is a bottom view of the wheel chock.
The broken lines in FIG. 1 showing the track depict environmental subject matter only and form no part of the claim, while all other broken lines in the drawings depict portions of the wheel chock that form no part of the claimed design.

1 Claim, 5 Drawing Sheets

- (56) **References Cited**
U.S. PATENT DOCUMENTS
213,203 A * 3/1879 Jewell B60T 3/00
188/32
D27,515 S * 8/1897 Gilman D12/217
1,617,369 A * 2/1927 Blakely B60P 3/077
188/32
1,768,265 A * 6/1930 Nicholls B60T 3/00
188/32
2,189,323 A * 2/1940 Noonan B60T 3/00
188/32
2,304,305 A * 12/1942 Fulton B60T 3/00
188/32
2,551,218 A * 5/1951 Menne B60T 3/00
188/32
2,671,533 A * 3/1954 Taylor B60T 3/00
188/32



(56)

References Cited

U.S. PATENT DOCUMENTS

3,664,466 A * 5/1972 Rotheiser B60T 3/00
188/32
3,871,492 A * 3/1975 Garrett B60T 3/00
188/32
D236,612 S * 9/1975 Wetzel et al. D12/217
3,973,651 A * 8/1976 Garrett B60T 3/00
188/32
D253,408 S * 11/1979 Sargent D12/217
4,399,893 A * 8/1983 Switzer B60T 3/00
188/32
D326,254 S * 5/1992 Ziaylek, Jr. D12/217
D388,393 S * 12/1997 Moradians D12/400
5,803,208 A * 9/1998 Blach B60T 3/00
188/32
D414,455 S * 9/1999 Perry D12/217
D493,408 S * 7/2004 Chrisco D12/217
D500,979 S * 1/2005 Chrisco D12/217
7,040,461 B2 * 5/2006 Chrisco B60T 3/00
188/32
D673,106 S * 12/2012 Rossman D12/217
D712,816 S * 9/2014 Maholick D12/223
D720,278 S * 12/2014 Pinkall D12/217
D733,530 S * 7/2015 Tonthat D8/354
D772,775 S * 11/2016 Bird D12/223
2005/0077121 A1 * 4/2005 Chrisco B60T 3/00
188/32
2016/0039394 A1 * 2/2016 Galletti B60T 3/00
224/567
2017/0008498 A1 * 1/2017 Metz B60T 3/00
2017/0369260 A1 * 12/2017 Hoofard B60T 3/00

* cited by examiner

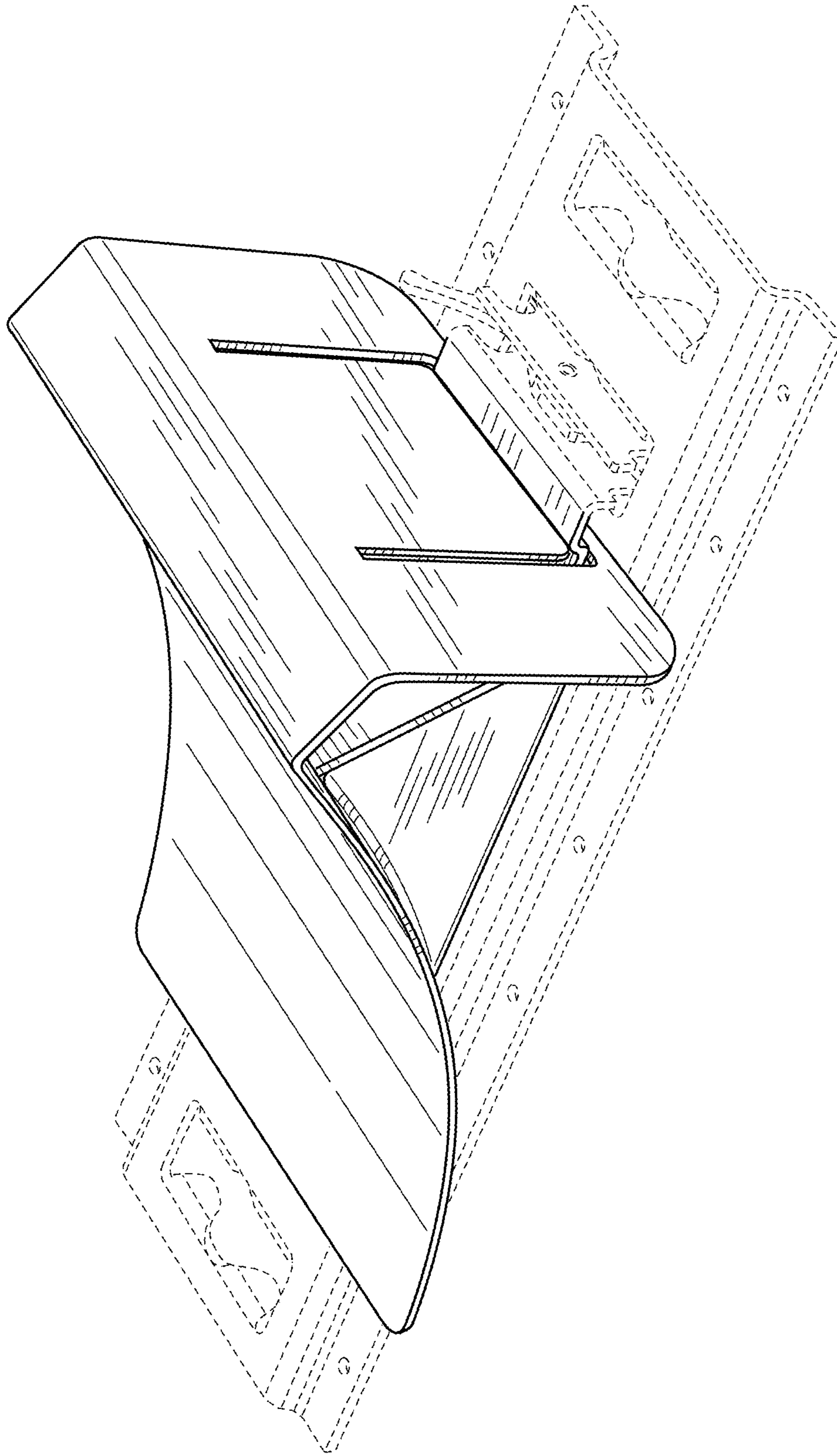


FIG. 1

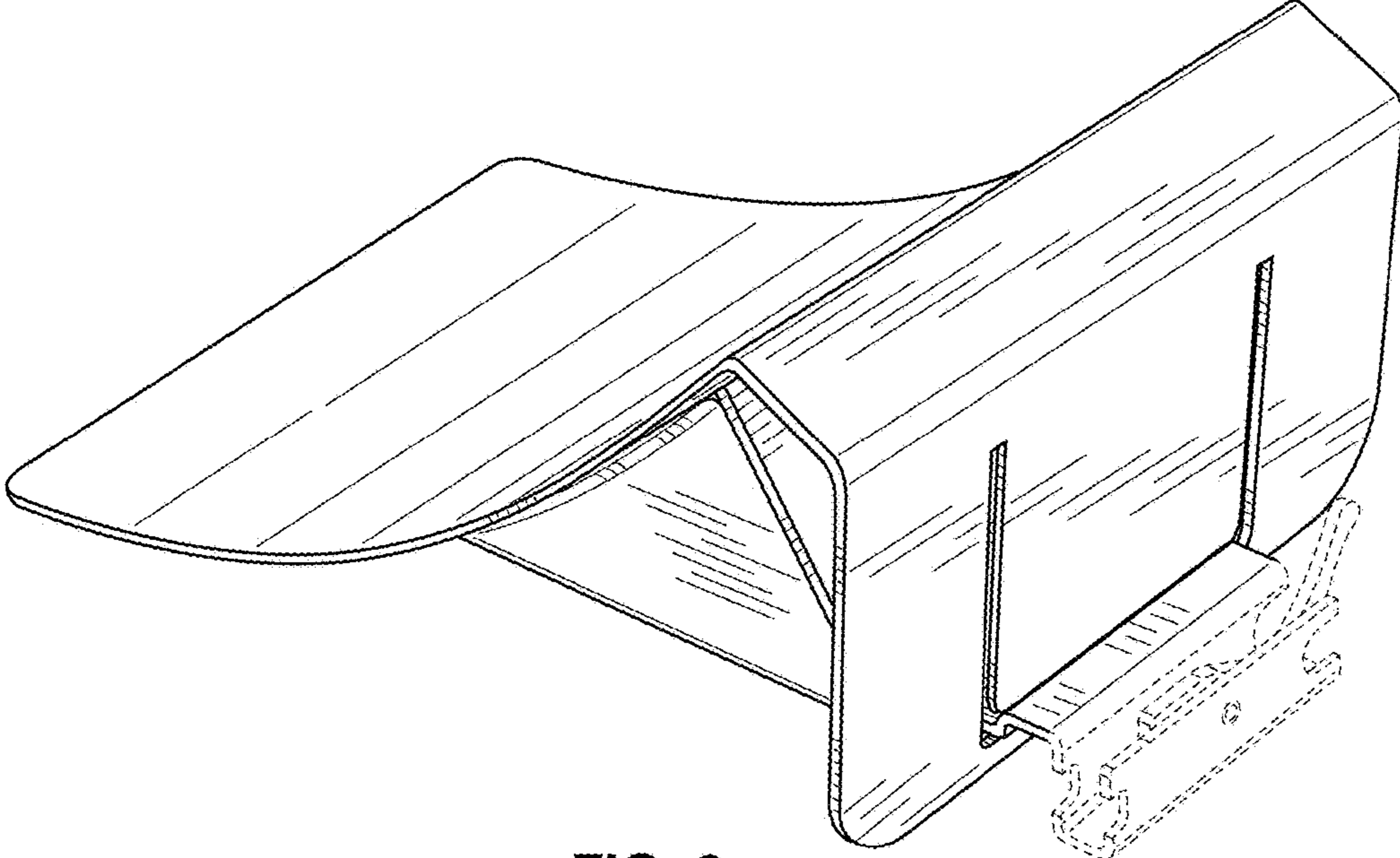


FIG. 2

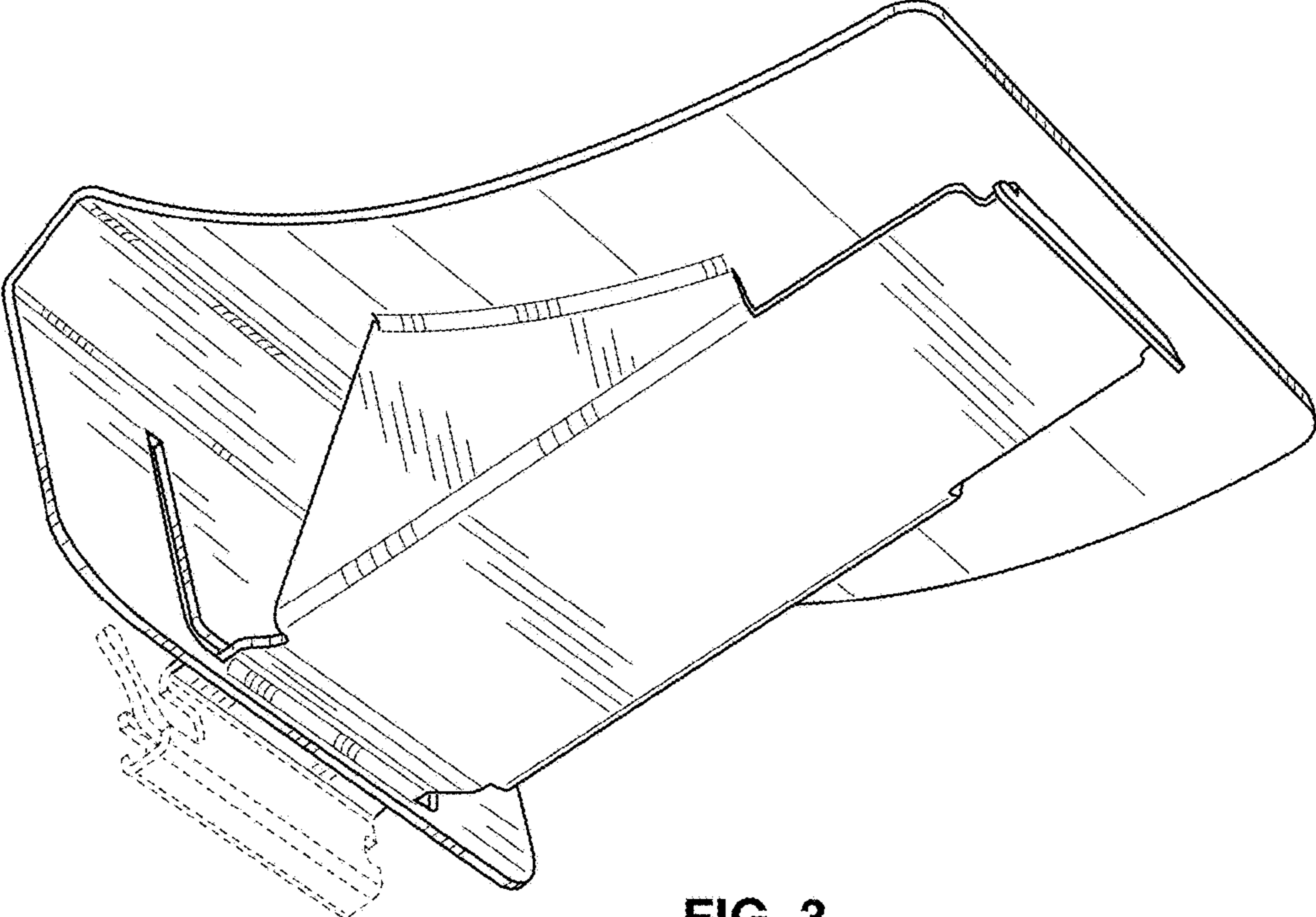


FIG. 3

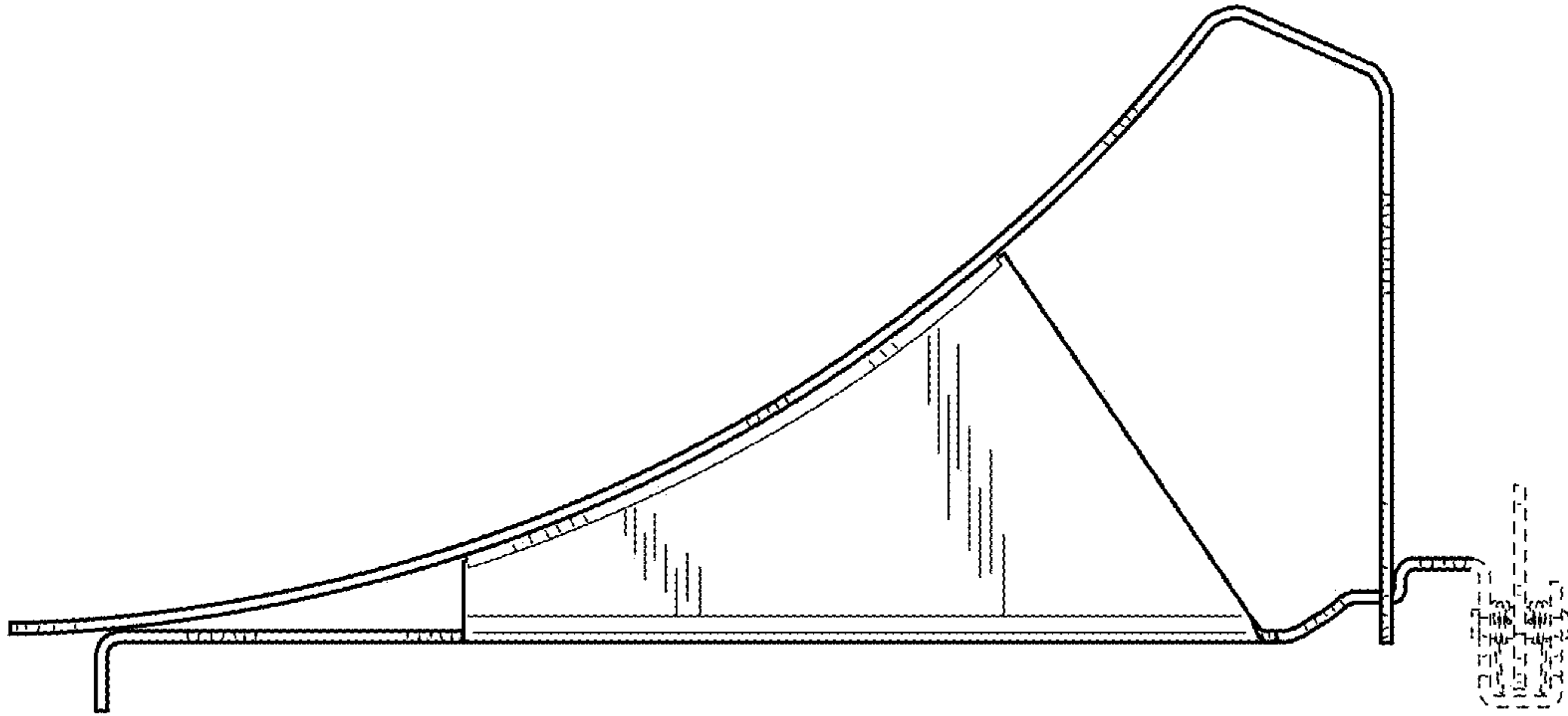


FIG. 4

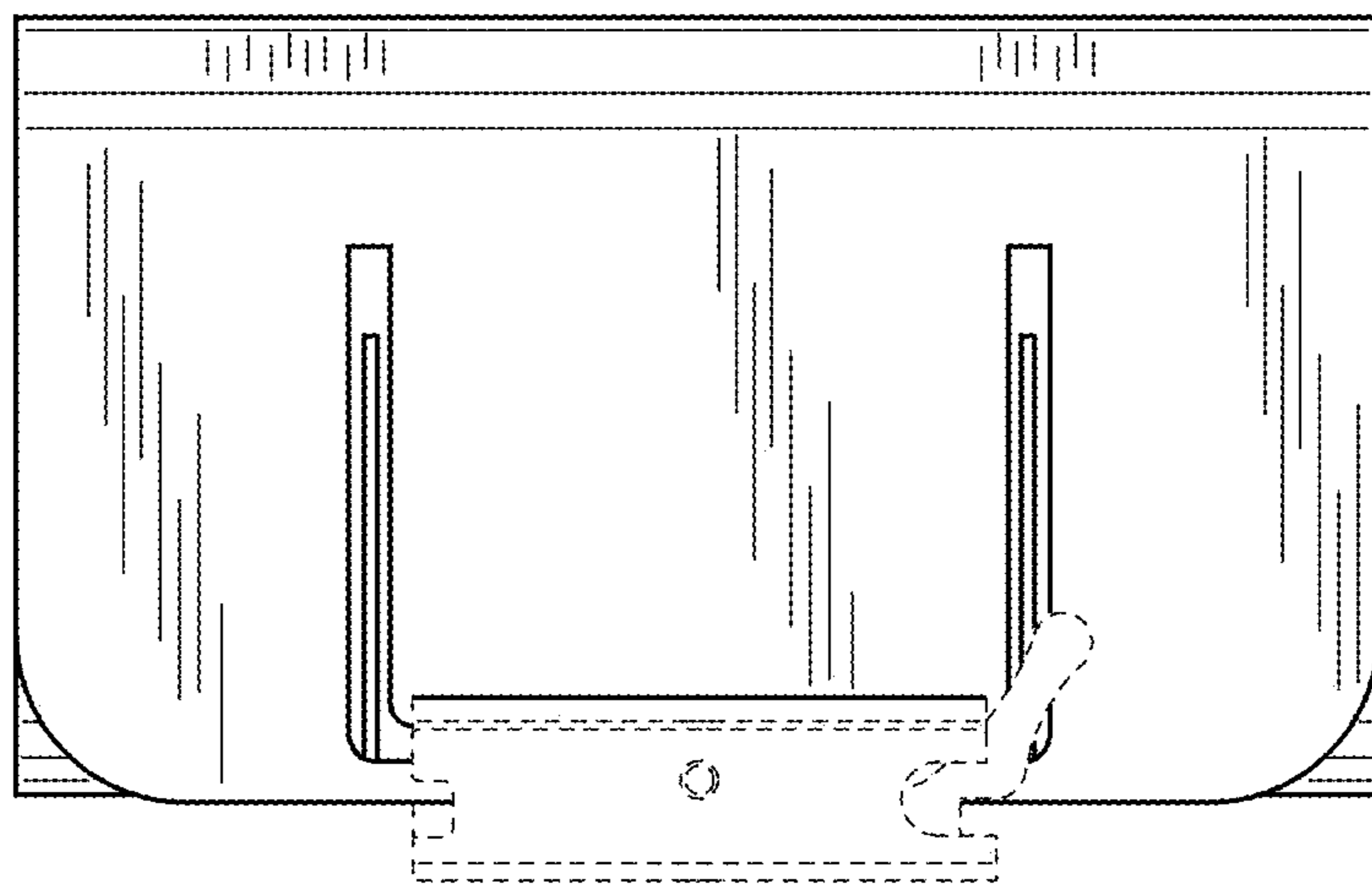


FIG. 5

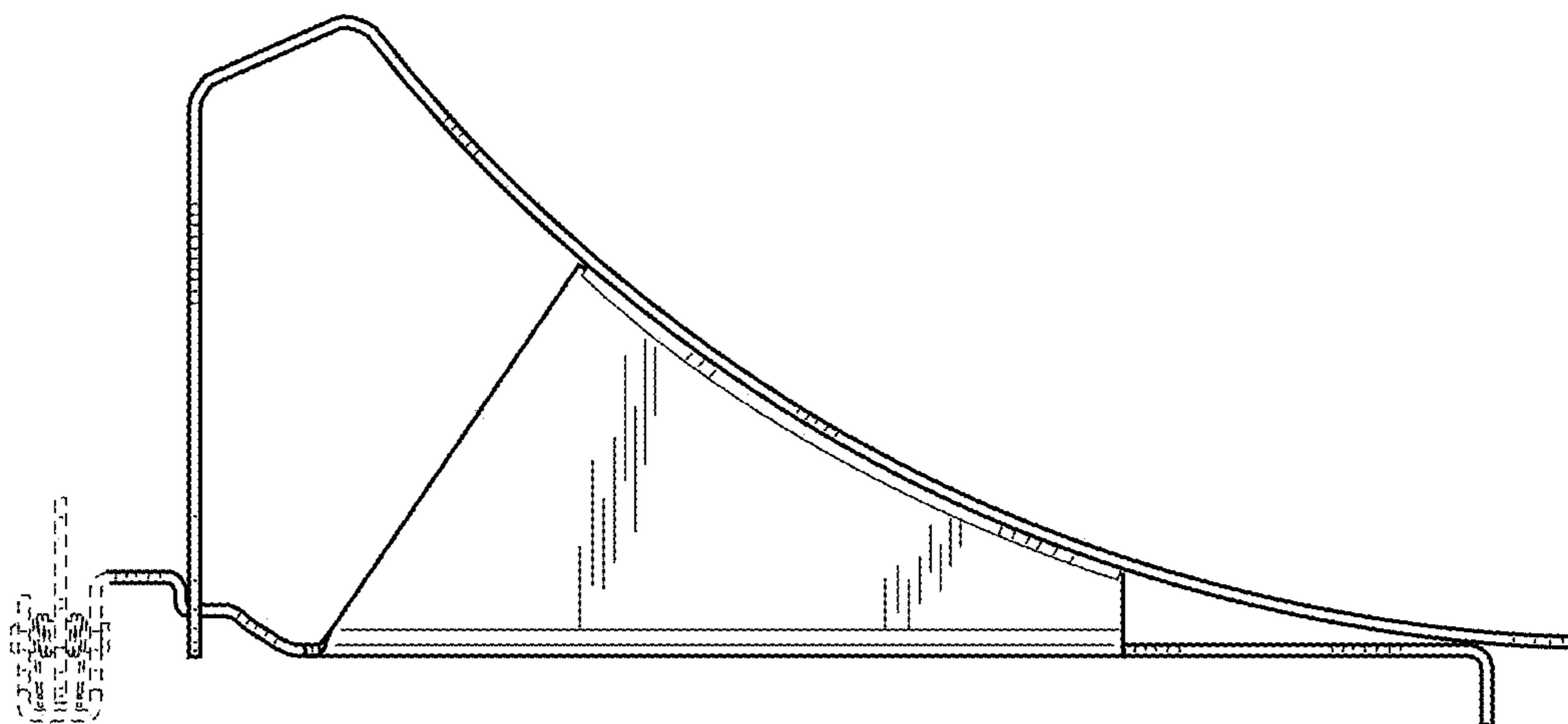


FIG. 6

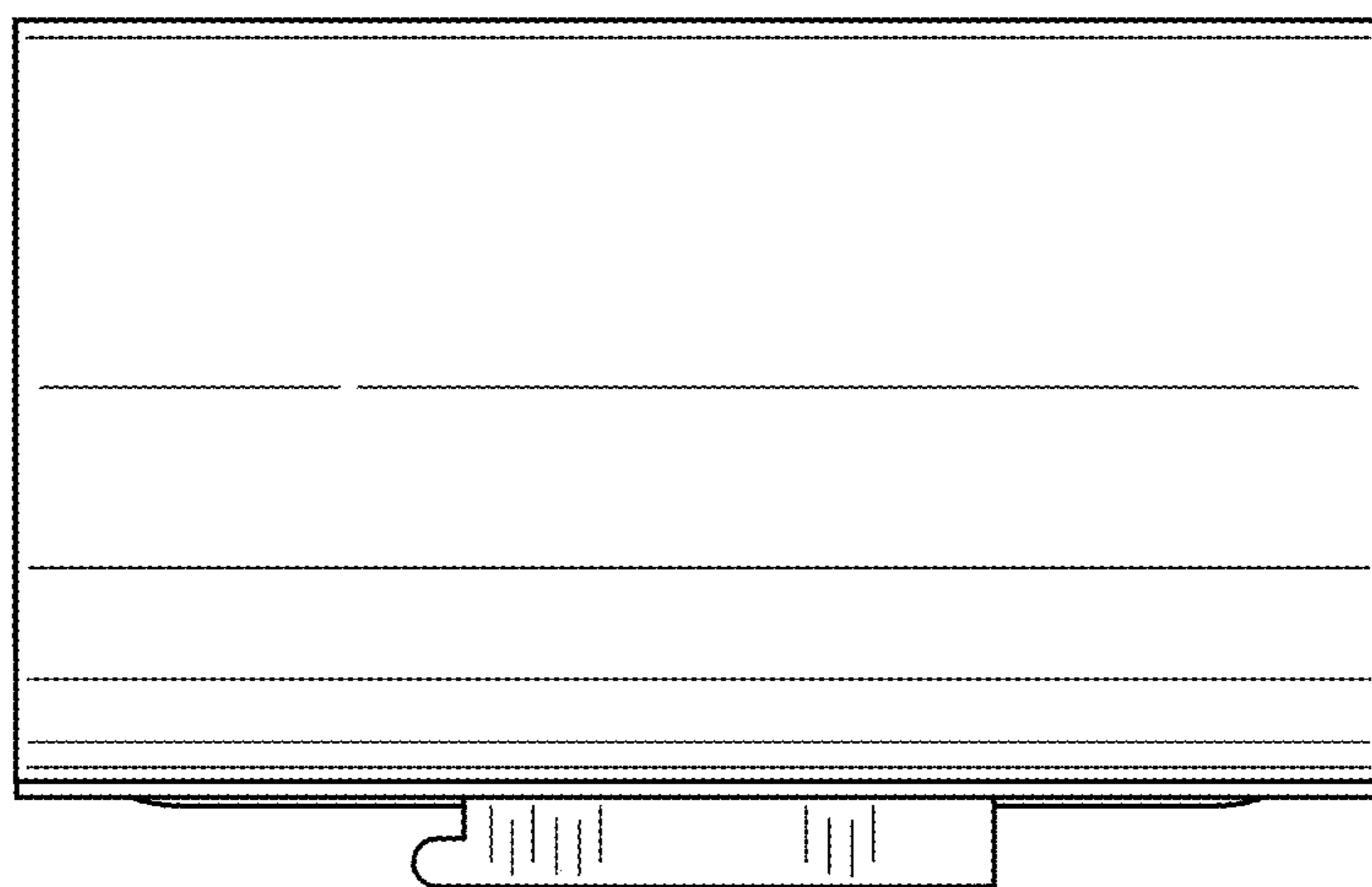


FIG. 7

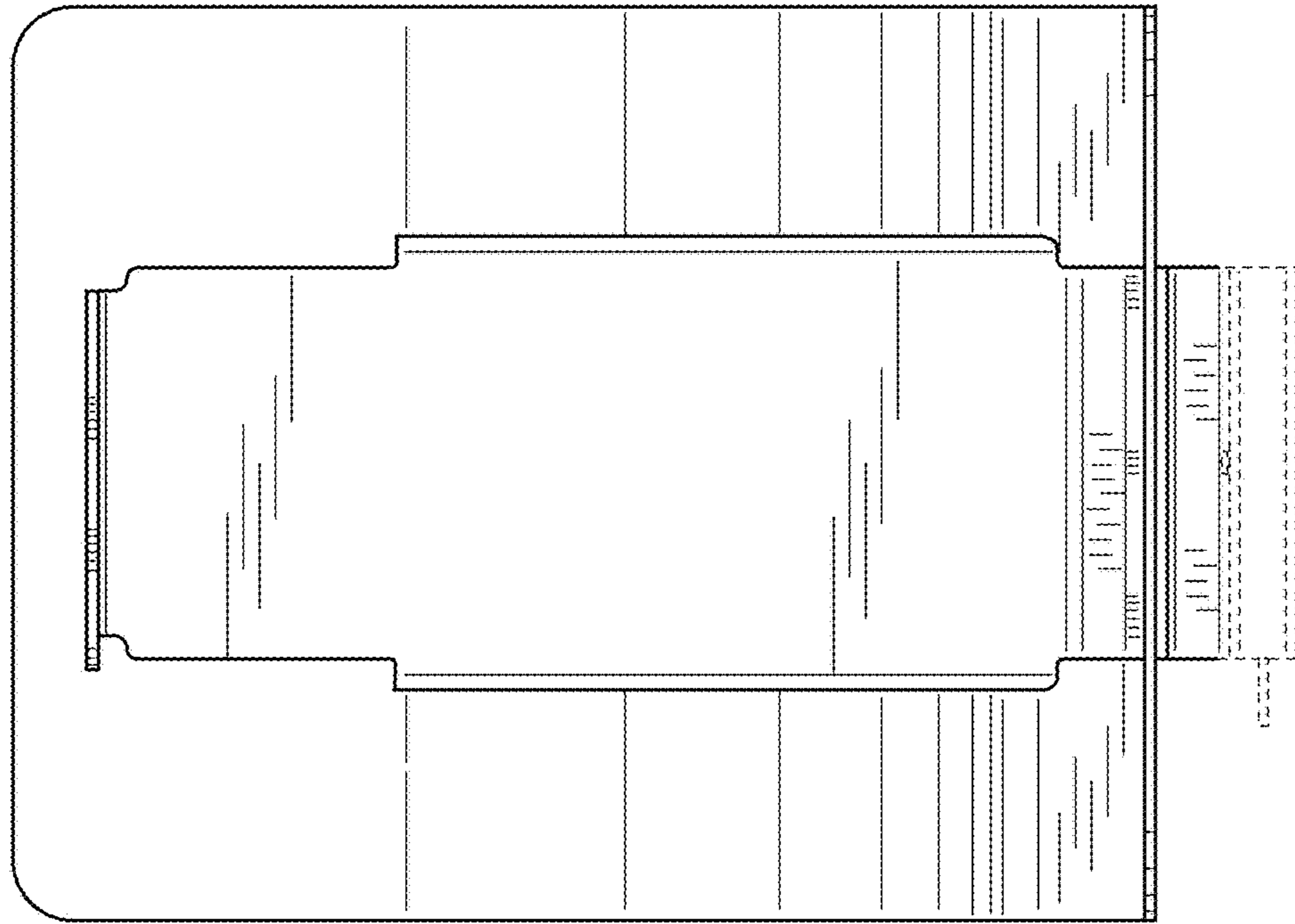


FIG. 9

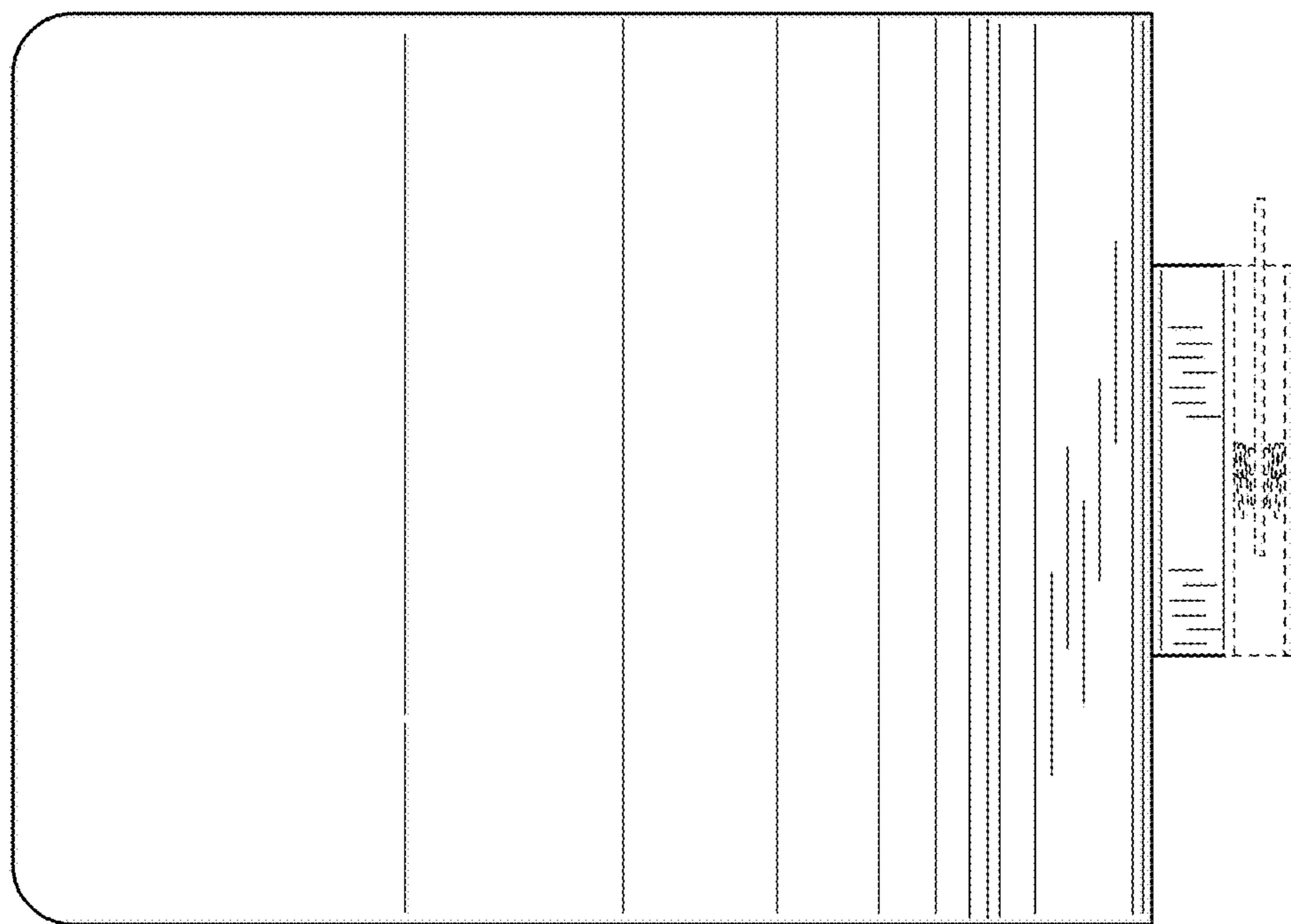


FIG. 8