



US00D830279S

(12) **United States Design Patent** (10) **Patent No.:** **US D830,279 S**  
**Hron** (45) **Date of Patent:** **\*\* Oct. 9, 2018**

- (54) **MULTI-COLOR BOAT ANCHOR**
- (71) Applicant: **ROLOFF MANUFACTURING CORPORATION**, Kaukauna, WI (US)
- (72) Inventor: **Joshua Hron**, Appleton, WI (US)
- (73) Assignee: **ROLOFF MANUFACTURING CORP.**, Kaukauna, WI (US)
- (\*\*) Term: **15 Years**
- (21) Appl. No.: **29/576,463**
- (22) Filed: **Sep. 2, 2016**

- D280,316 S \* 8/1985 Gooden ..... D12/215
- D289,153 S \* 4/1987 Silberman ..... D12/215
- D303,105 S \* 8/1989 Stafford ..... D12/215
- D303,369 S \* 9/1989 Abernethy ..... D12/215
- D315,136 S \* 3/1991 Abernethy ..... D12/215
- D329,220 S \* 9/1992 Pauley ..... D12/215

(Continued)

*Primary Examiner* — George D. Kirschbaum  
*Assistant Examiner* — Clese Moore, Jr.  
 (74) *Attorney, Agent, or Firm* — Ryan Kromholz & Manion, S.C.

**Related U.S. Application Data**

- (62) Division of application No. 29/495,747, filed on Jul. 3, 2014, now Pat. No. Des. 766,156.
- (51) **LOC (11) Cl.** ..... **12-06**
- (52) **U.S. Cl.**  
USPC ..... **D12/215**
- (58) **Field of Classification Search**  
USPC ..... D12/215, 300, 317  
CPC ..... B63B 21/24; B63B 21/243; B63B 21/32;  
B63B 21/34  
See application file for complete search history.

**References Cited**

**U.S. PATENT DOCUMENTS**

- 1,384,824 A \* 7/1921 Case ..... B63B 21/32  
114/300
- 2,499,138 A \* 2/1950 Golding ..... B63B 21/243  
114/300
- D191,726 S \* 11/1961 Divietro ..... D12/215
- 3,066,636 A \* 12/1962 Churchman ..... B63B 21/29  
114/300
- 3,158,127 A \* 11/1964 Gallagher ..... B63B 21/29  
114/300
- 3,402,689 A \* 9/1968 Forrest, Jr. .... B63B 21/29  
114/300
- D256,578 S \* 8/1980 Oberg ..... D12/215

(57) **CLAIM**

The ornamental design for a multi-color boat anchor, as shown and described.

**DESCRIPTION**

Copyright 2014, Roloff Manufacturing Corporation. A portion of the disclosure of this patent document contains material to which a claim for copyright is made. The copyright owner has no objection to the facsimile reproduction by anyone of the patent document or the patent disclosure, as it appears in the Patent and Trademark Office patent file or records, but reserves all other copyright rights whatsoever.

FIG. 1 is a perspective view of a multi-color boat anchor according to the present invention, wherein the shaded portion is a first color and the unshaded portion is a second color, the first and second colors being different.

FIG. 2 is a front elevation view thereof.

FIG. 3 is a rear elevation view thereof.

FIG. 4 is a right side elevation view thereof.

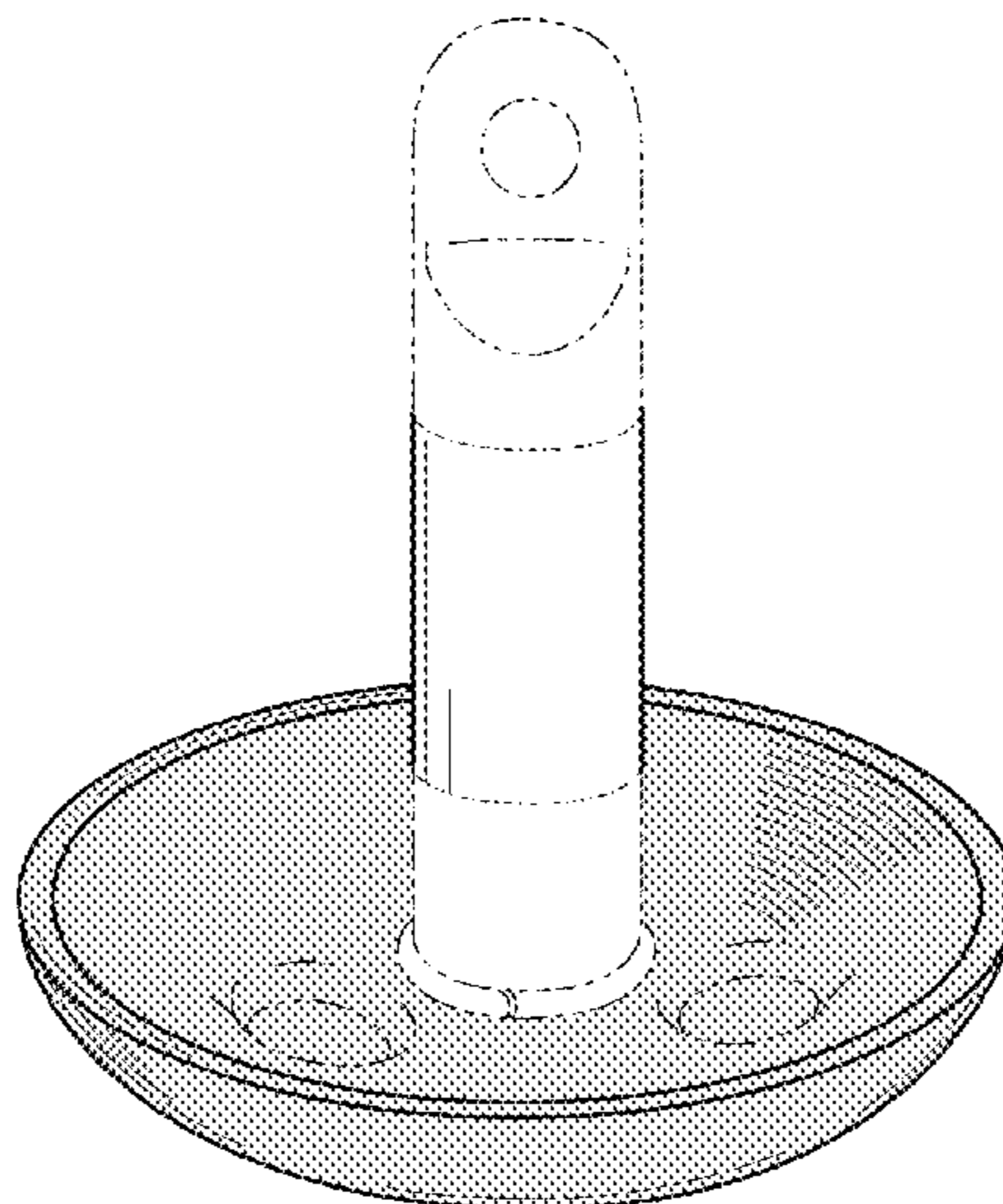
FIG. 5 is a left side elevation view thereof.

FIG. 6 is a bottom plan view thereof; and,

FIG. 7 is a top plan view thereof.

The broken lines shown illustrate portions of the multi-color boat anchor that form no part of the claimed design.

**1 Claim, 2 Drawing Sheets**



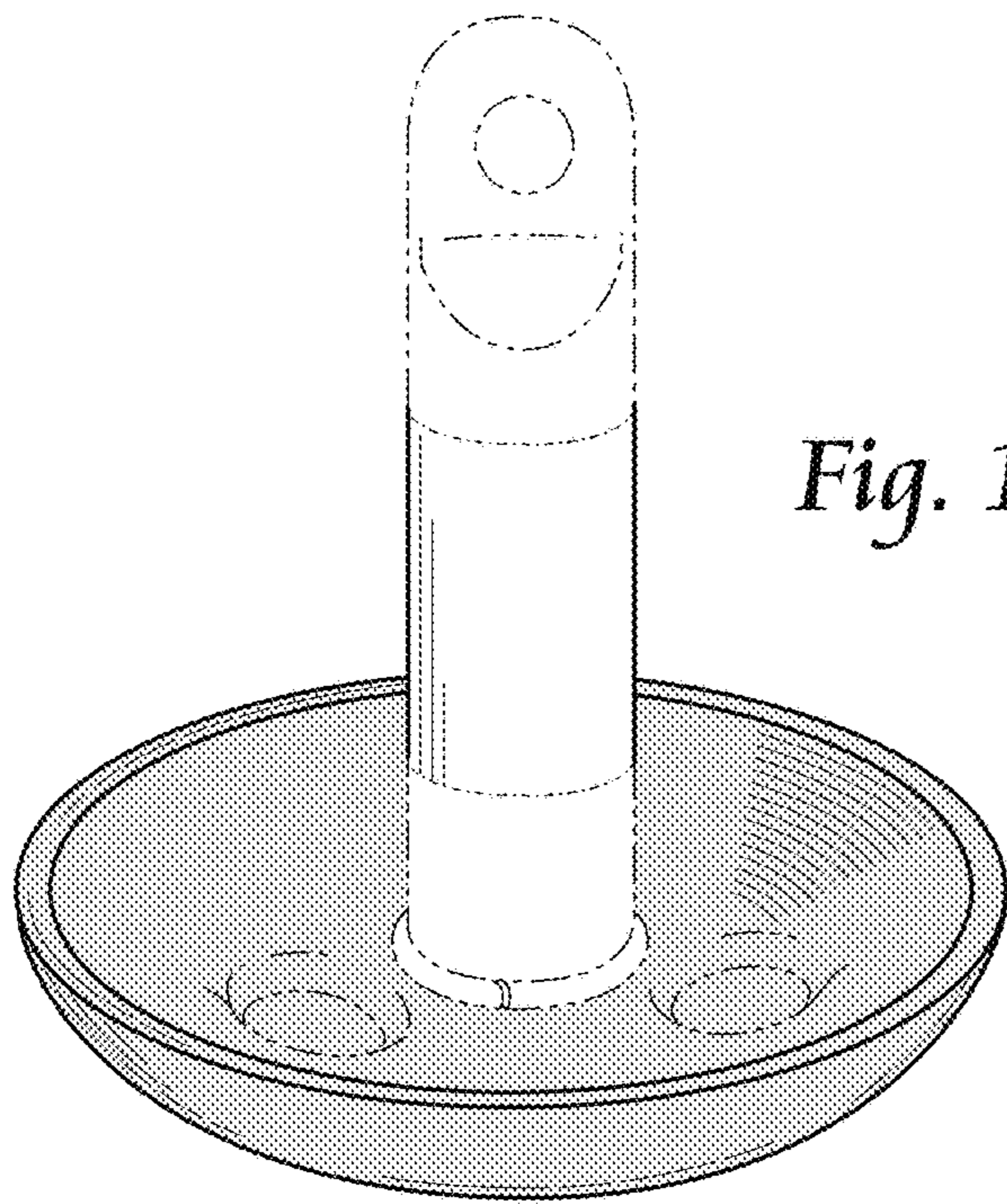
(56)

**References Cited**

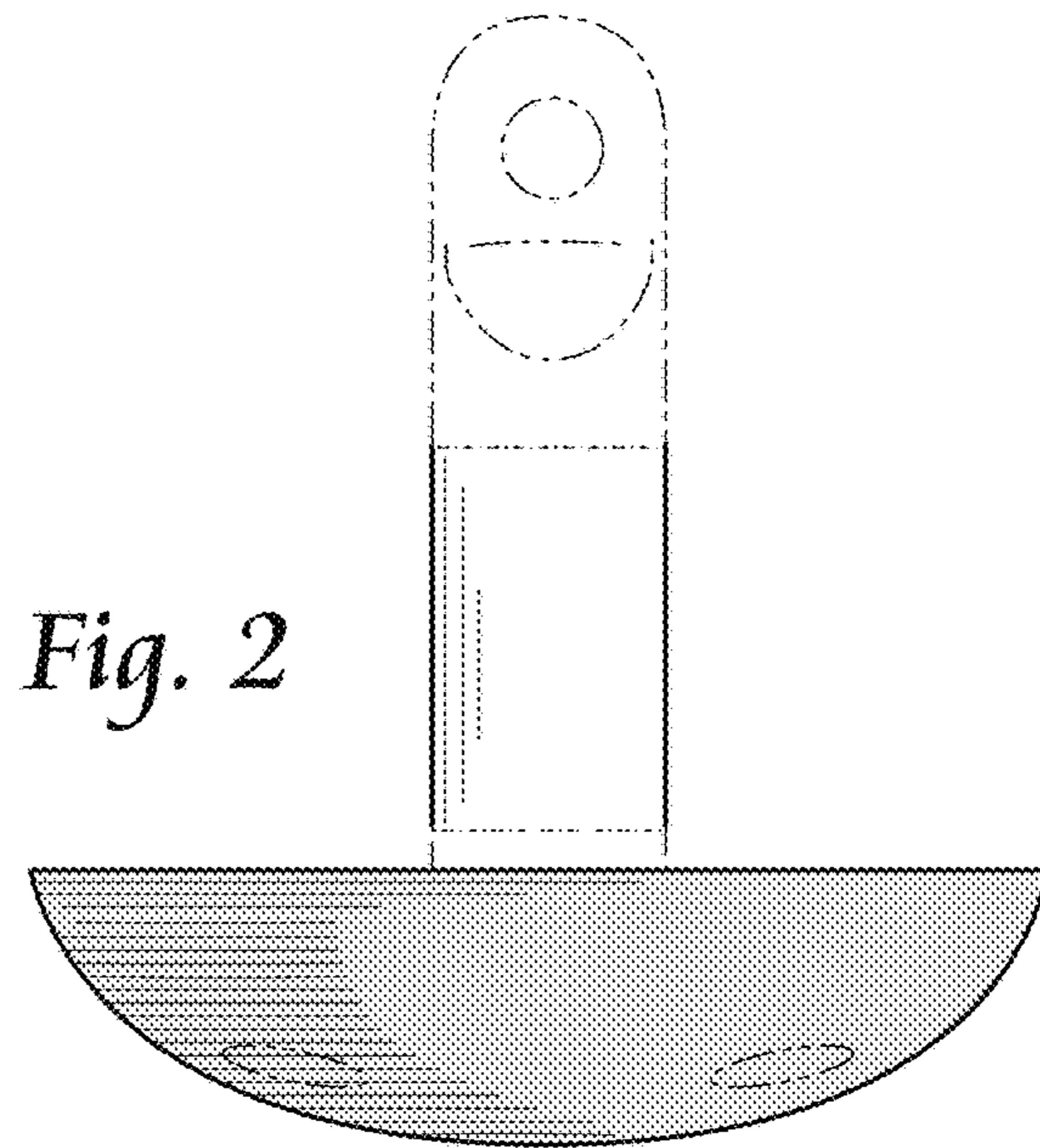
U.S. PATENT DOCUMENTS

D397,078 S *	8/1998	Bartkus .....	D12/215
6,092,484 A *	7/2000	Babin .....	B63B 21/26
			114/294
D599,270 S *	9/2009	Smith .....	D12/215
7,722,419 B1 *	5/2010	Wood .....	B63C 11/02
			441/40
D766,156 S *	9/2016	Hron .....	D12/215
2015/0101524 A1 *	4/2015	Pence .....	B63B 21/243
			114/294

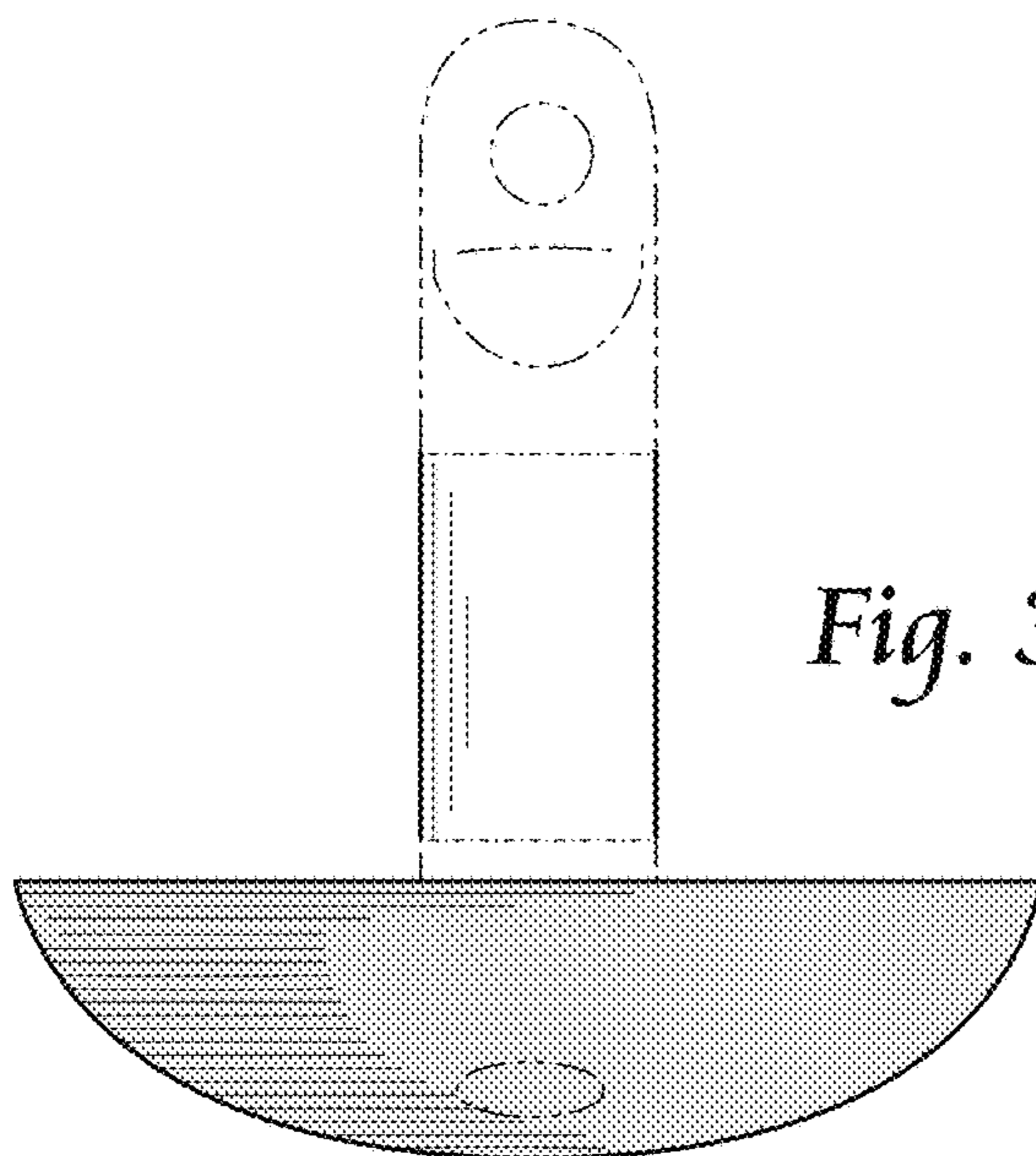
\* cited by examiner



*Fig. 1*

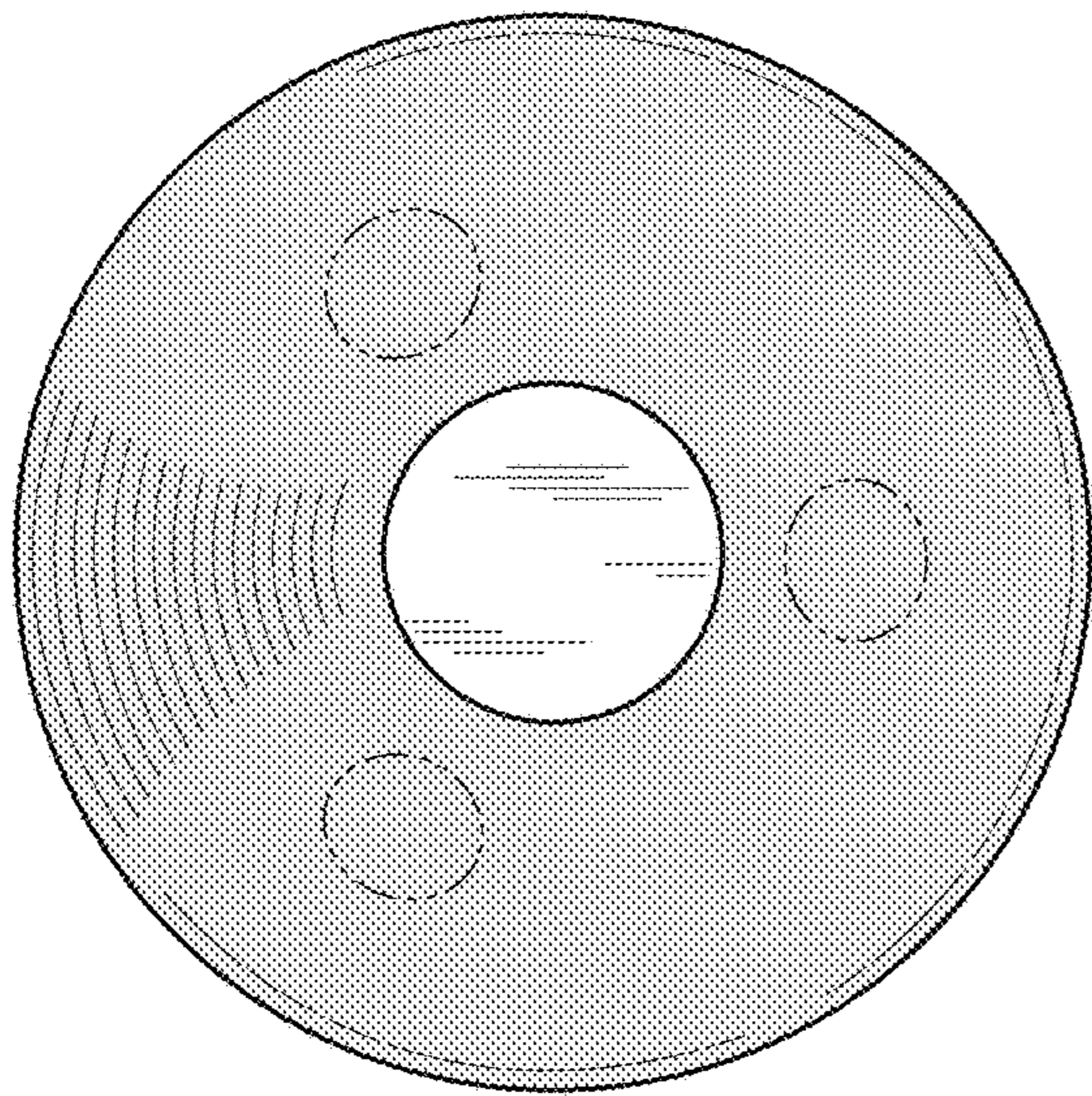
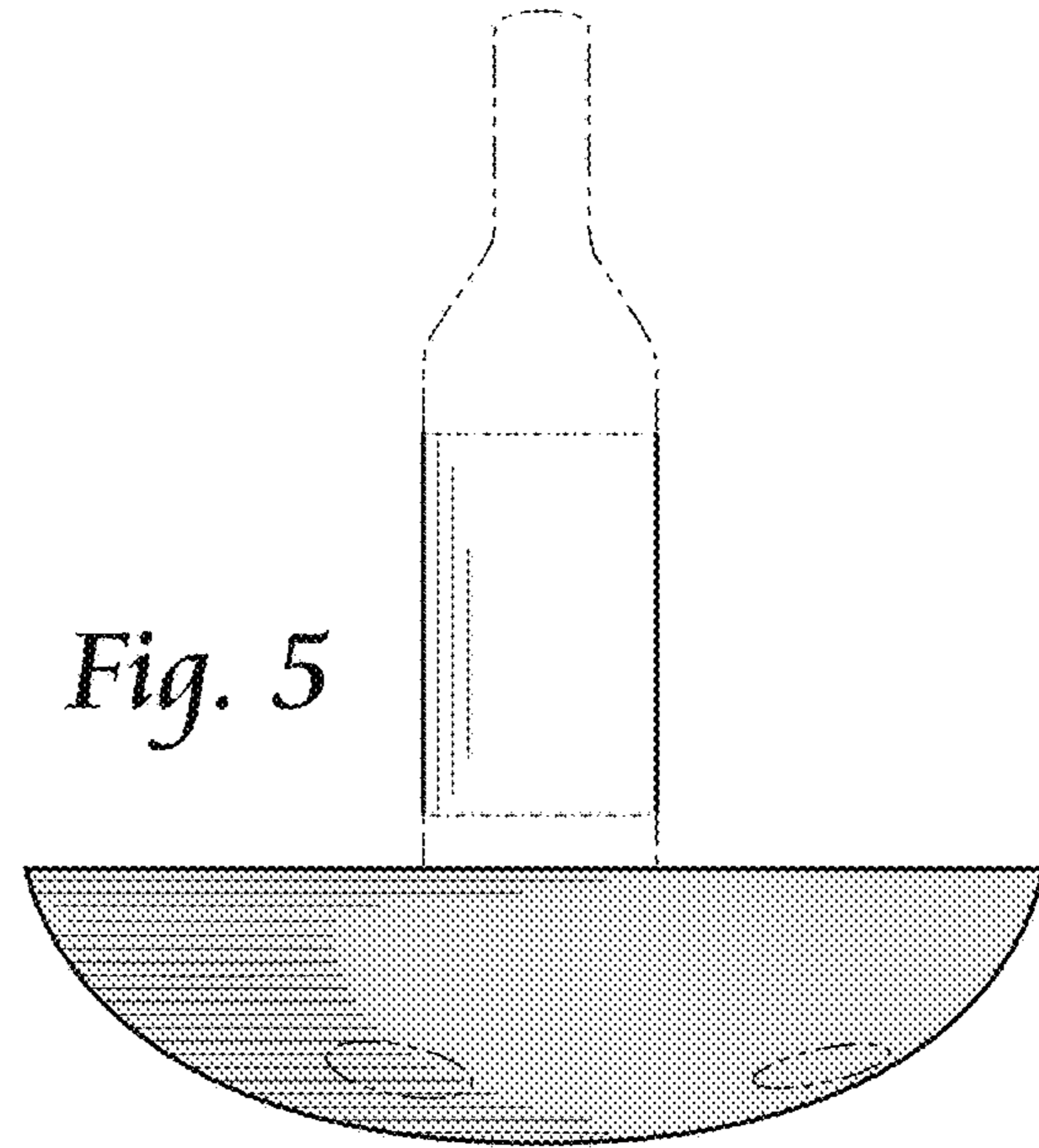
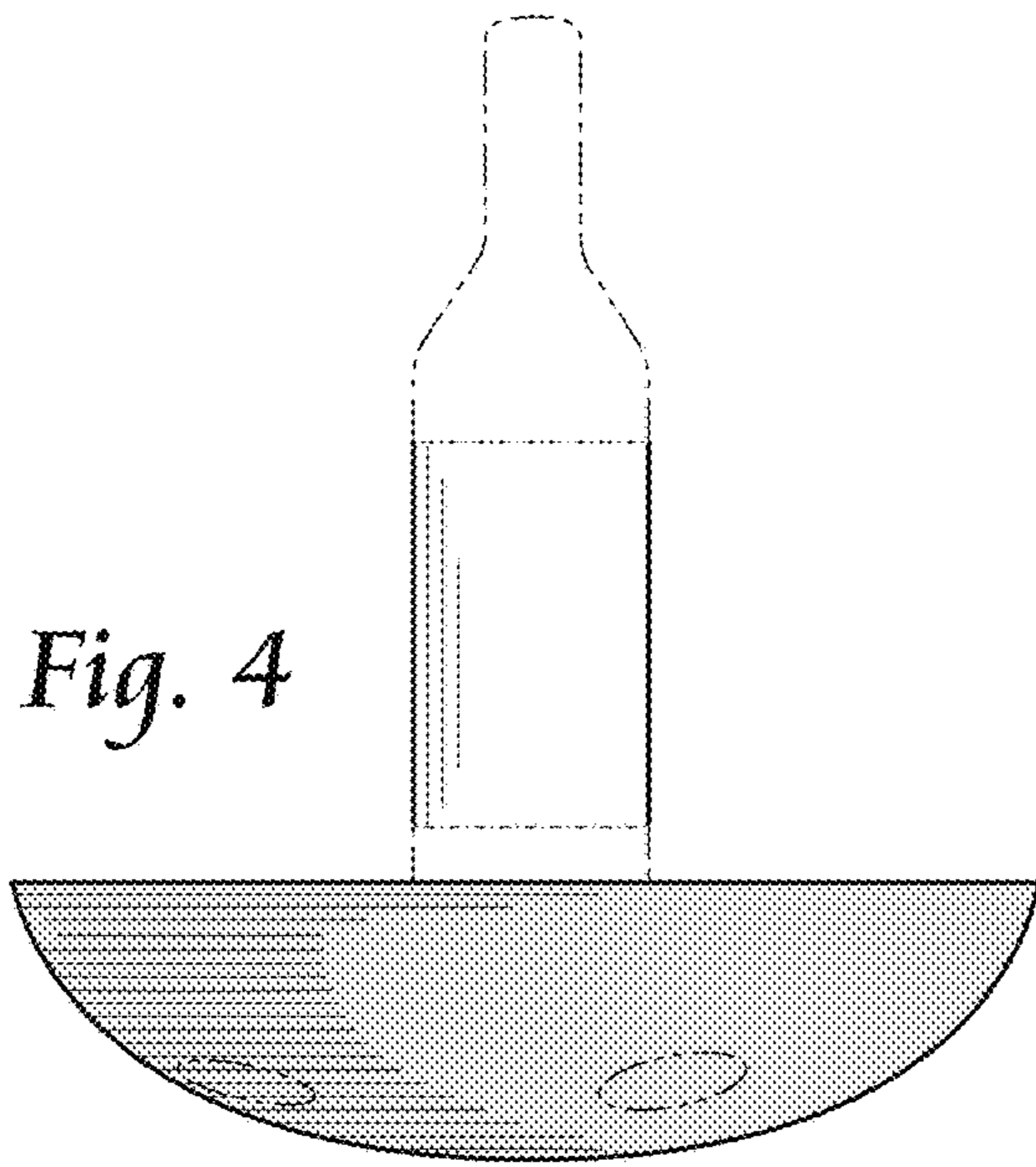


*Fig. 2*



*Fig. 3*





*Fig. 6*

*Fig. 7*

