



US00D830270S

(12) **United States Design Patent**
Ma et al.

(10) **Patent No.:** **US D830,270 S**

(45) **Date of Patent:** **** *Oct. 9, 2018**

(54) **WHEEL HUB**

(71) Applicant: **Beijing CHJ Automotive Technology Co., Ltd.**, Beijing (CN)

(72) Inventors: **Donghui Ma**, Beijing (CN); **Jia Na**, Beijing (CN)

(73) Assignee: **BEIJING CHJ AUTOMOTIVE TECHNOLOGY CO., LTD.**, Beijing (CN)

(*) Notice: This patent is subject to a terminal disclaimer.

(**) Term: **15 Years**

(21) Appl. No.: **29/604,108**

(22) Filed: **May 15, 2017**

(30) **Foreign Application Priority Data**

Feb. 24, 2017 (CN) 2017 3 0050771

(51) **LOC (11) Cl.** **12-16**

(52) **U.S. Cl.**
USPC **D12/211**

(58) **Field of Classification Search**
USPC D12/400, 204–213, 217; D23/381, 387, D23/388, 412, 414
CPC B60B 7/00; B60B 7/02; B60B 7/04; B60B 7/01; B60B 7/06; B60B 3/02; B60B 3/04; B60B 3/06; B60B 3/10; B60B 1/00; B60B 1/08; B60B 1/10; B60B 1/12
See application file for complete search history.

(56) **References Cited**

U.S. PATENT DOCUMENTS

D384,022 S * 9/1997 Hatter D12/209
D384,631 S * 10/1997 Cullen D12/209
D384,927 S * 10/1997 Neeper D12/209

D384,929 S * 10/1997 Neeper D12/209
D385,246 S * 10/1997 Neeper D12/209
D408,001 S * 4/1999 Kelley D12/209
D409,966 S * 5/1999 Chung D12/209
D411,159 S * 6/1999 Neeper D12/211
D428,594 S * 7/2000 Neeper D12/209
D429,205 S * 8/2000 Hussaini D12/209
D433,372 S * 11/2000 Donikoglu D12/209
D436,572 S * 1/2001 Brown D12/209
D451,872 S * 12/2001 Arellano D12/209
D455,701 S * 4/2002 McMath D12/209
D500,724 S * 1/2005 Hong D12/211
D528,960 S * 9/2006 Kim D12/211
D531,566 S * 11/2006 Kim D12/211
D533,823 S * 12/2006 Starling D12/209

(Continued)

Primary Examiner — Susan Bennett Hattan

Assistant Examiner — Marie D Fast Horse

(74) *Attorney, Agent, or Firm* — Cantor Colburn LLP

(57) **CLAIM**

The ornamental design for a wheel hub, as shown and described.

DESCRIPTION

FIG. 1 is a front, right-side perspective view of a wheel hub showing our new design.

FIG. 2 is a front, left-side perspective view thereof.

FIG. 3 is a front view thereof.

FIG. 4 is a rear view thereof.

FIG. 5 is a left-side view thereof.

FIG. 6 is a right-side view thereof.

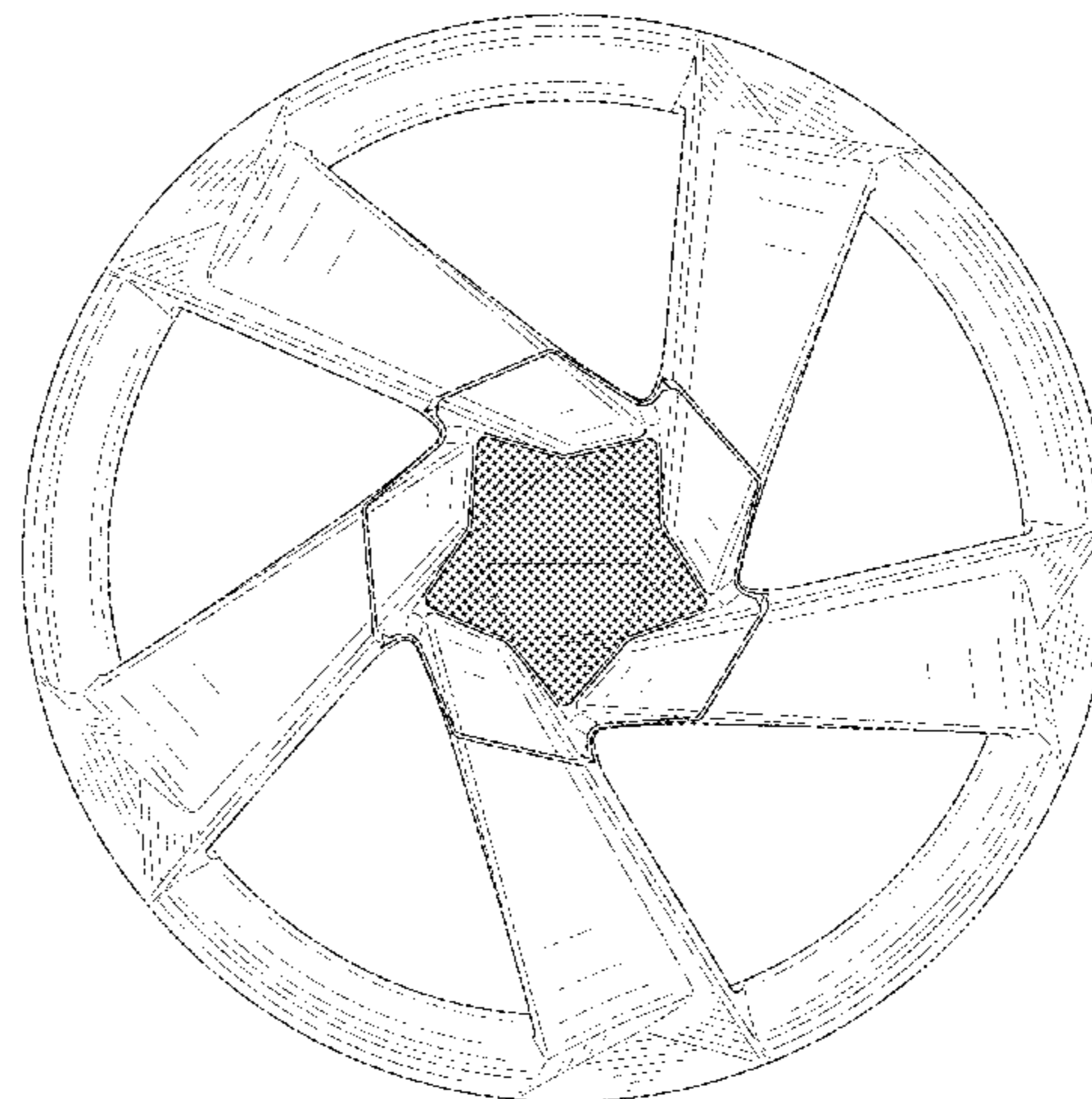
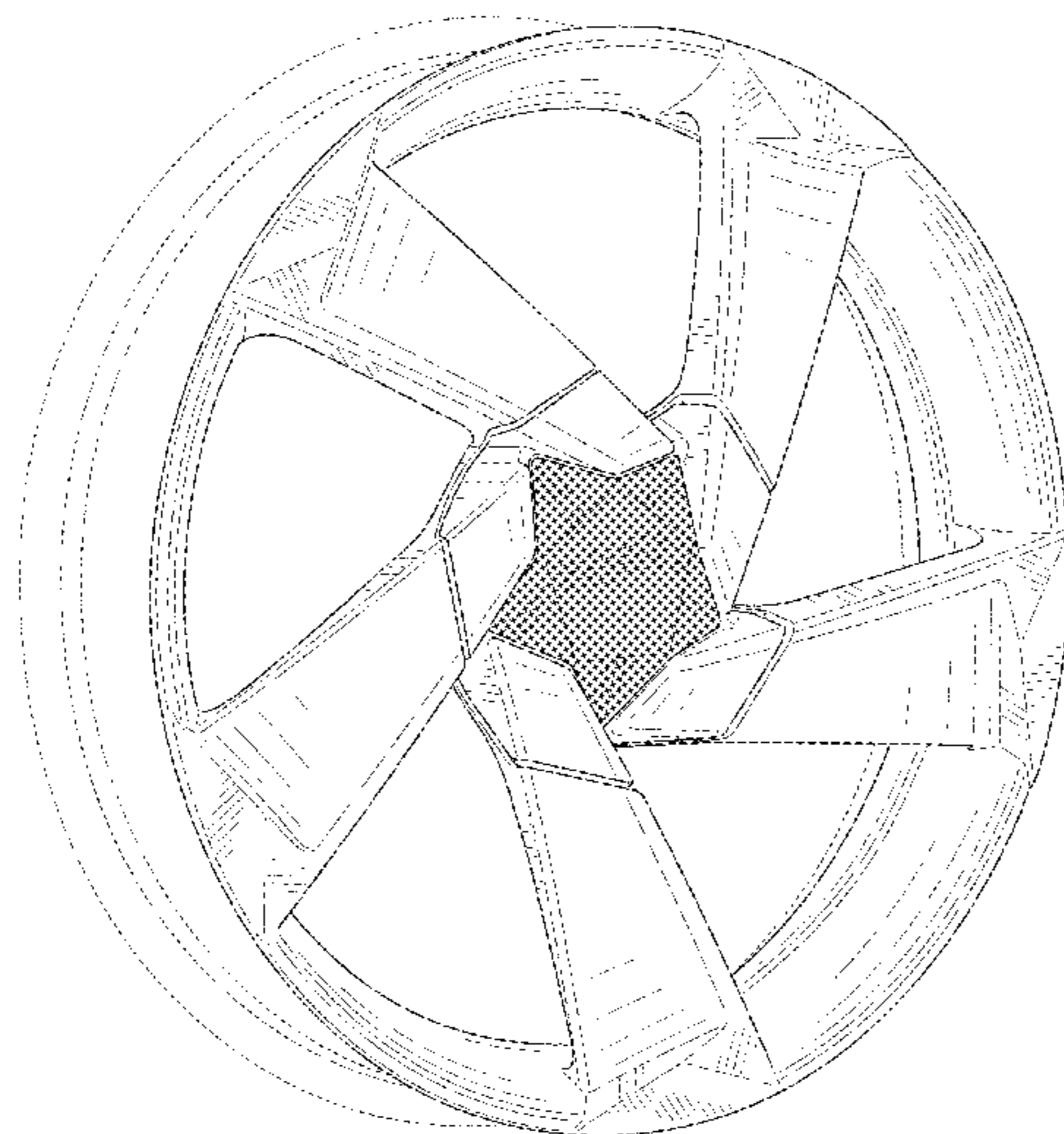
FIG. 7 is a top view thereof; and,

FIG. 8 is a bottom view thereof.

The broken lines, consisting of only short dashes, show the remaining portions of the wheel hub and its environment and form no part of the claimed design.

The broken lines consisting of long dash-short dash lines are boundary lines that show that the claimed design extends to the boundary line, but does not include the boundary line.

1 Claim, 6 Drawing Sheets



(56)

References Cited

U.S. PATENT DOCUMENTS

D538,731	S	*	3/2007	Iwauchi	D12/211
D594,804	S	*	6/2009	Laengerer	D12/211
D621,320	S	*	8/2010	Majdandzic	D12/209
D630,146	S	*	1/2011	Finnie	D12/211
D655,660	S	*	3/2012	Stucki	D12/209
D672,303	S	*	12/2012	Roura	D12/209
D673,097	S	*	12/2012	Lemke	D12/209
D682,176	S	*	5/2013	Badstuebner	D12/209
D683,680	S	*	6/2013	Kito	D12/204
D684,516	S	*	6/2013	Bennion	D12/209
D695,190	S	*	12/2013	Goto	D12/209
D695,191	S	*	12/2013	Kogawa	D12/209
D706,194	S	*	6/2014	Hanaoka	D12/209
D710,286	S	*	8/2014	Yamaguchi	D12/209
D729,137	S	*	5/2015	Muntada Roura	D12/209
D735,099	S	*	7/2015	Ritchie	D12/176
D739,794	S	*	9/2015	Juskowich	D12/133
D740,197	S	*	10/2015	Valencia Pollex	D12/209
D748,556	S	*	2/2016	Valencia Pollex	D12/209
D755,694	S	*	5/2016	Valencia Pollex	D12/209
D755,699	S	*	5/2016	Valencia Pollex	D12/211
D768,553	S	*	10/2016	Ishii	D12/209
D783,491	S	*	4/2017	Valencia Pollex	D12/209
D785,537	S	*	5/2017	Valencia Pollex	D12/211
D789,863	S	*	6/2017	Yoneyama	D12/209
D790,423	S	*	6/2017	Valencia Pollex	D12/209
D790,426	S	*	6/2017	Valencia Pollex	D12/209
D793,321	S	*	8/2017	Valencia Pollex	D12/209
D795,778	S	*	8/2017	Valencia Pollex	D12/211

* cited by examiner

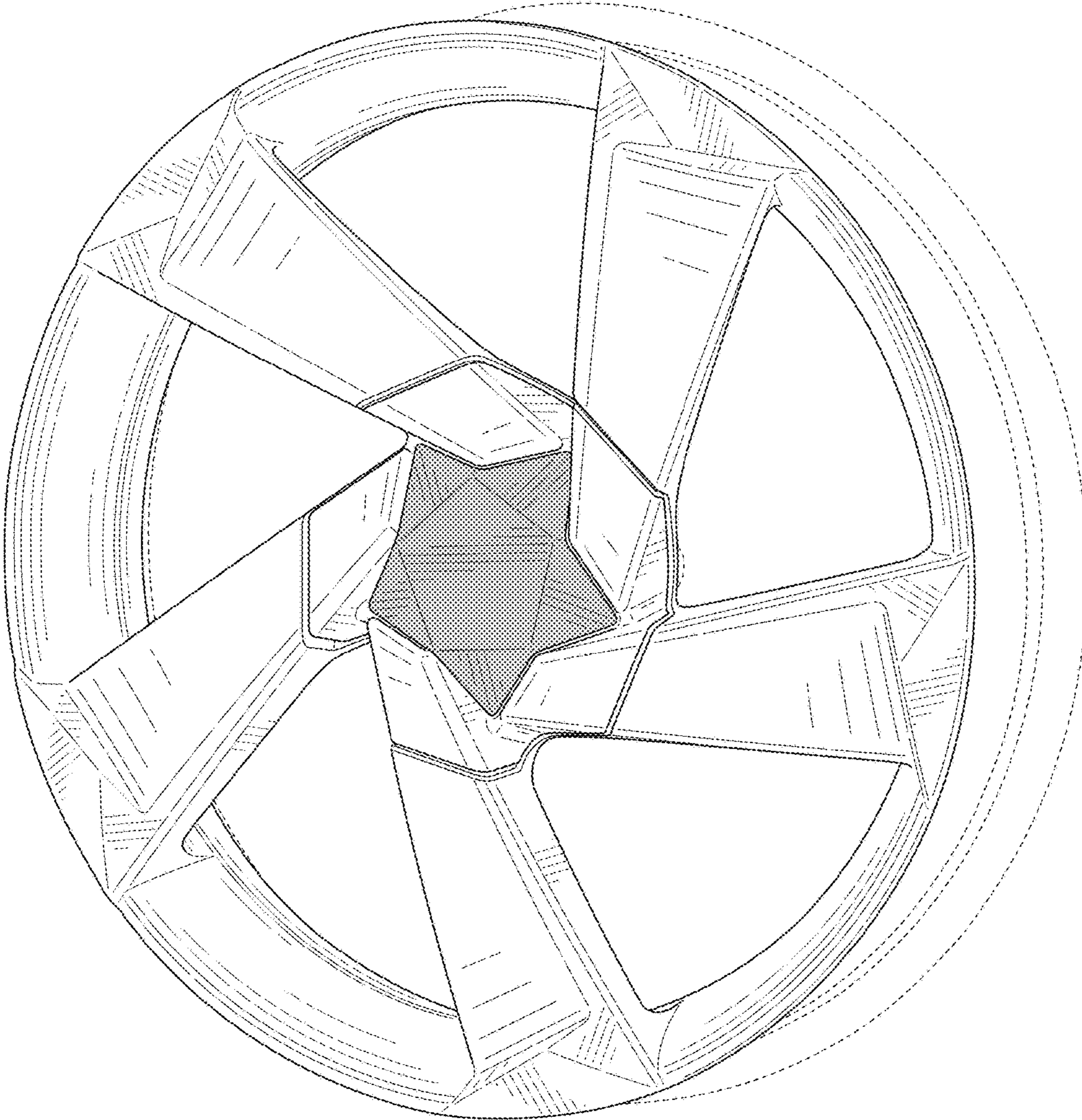


FIG. 1

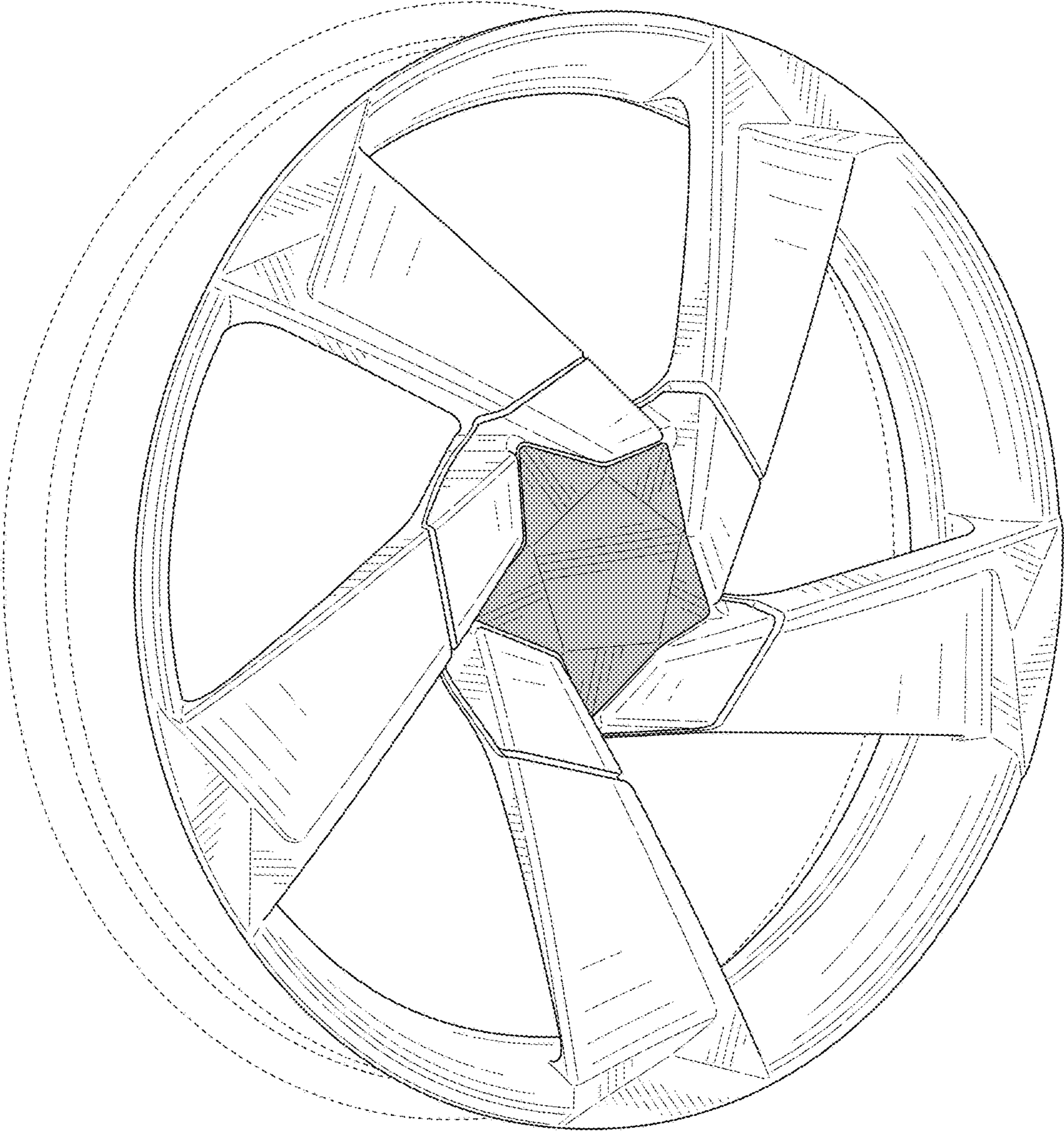


FIG. 2

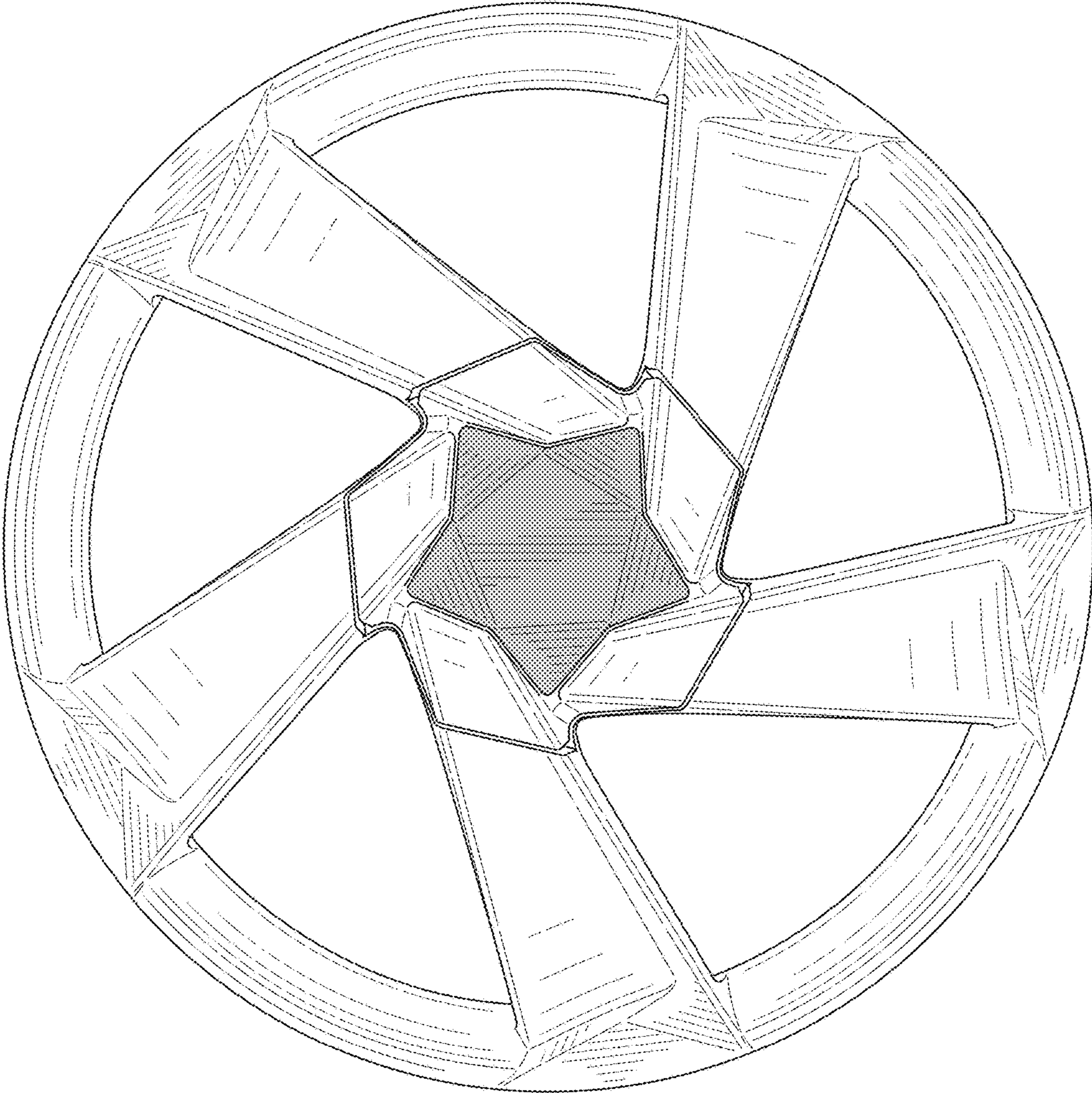


FIG. 3

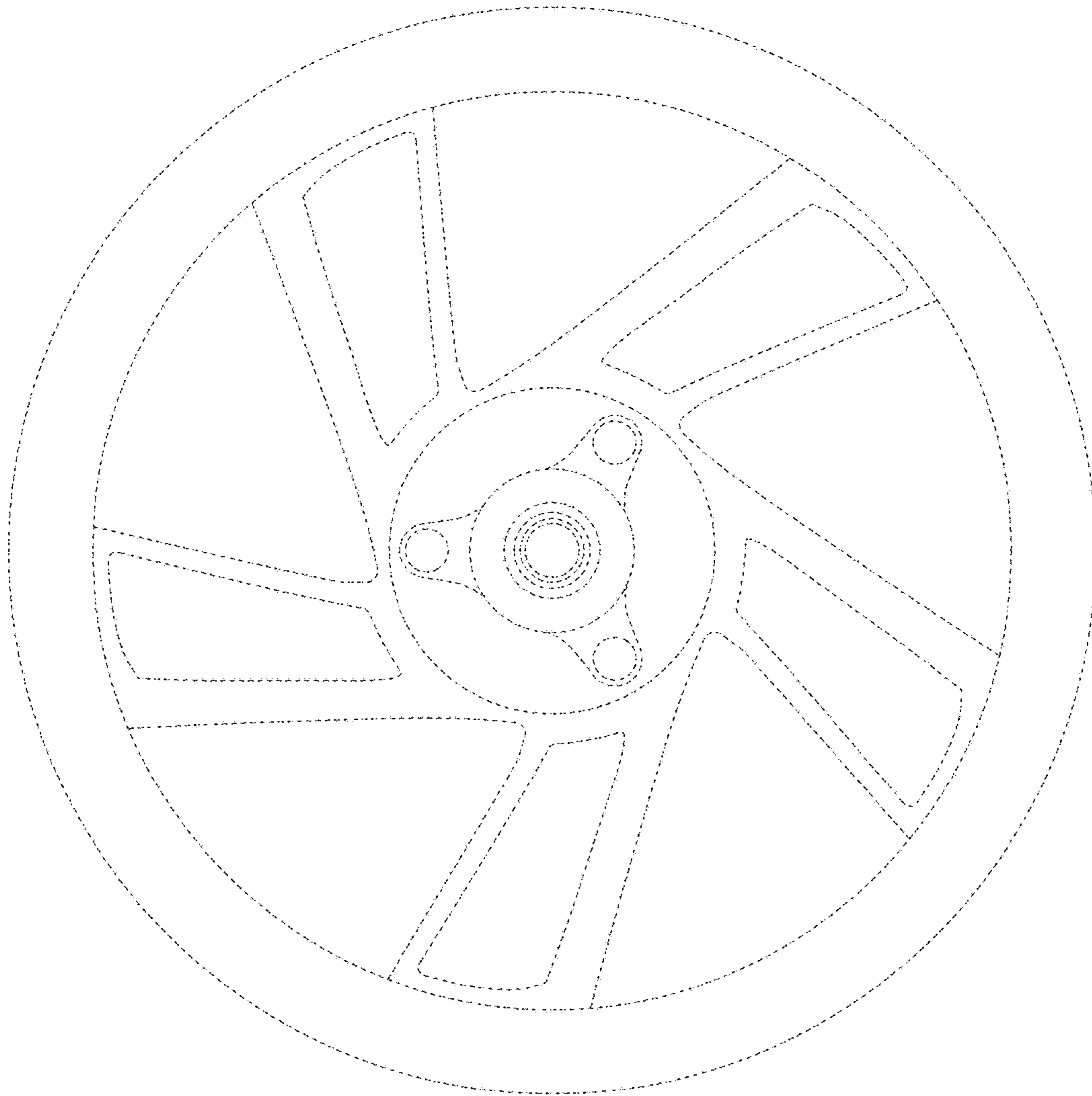


FIG. 4

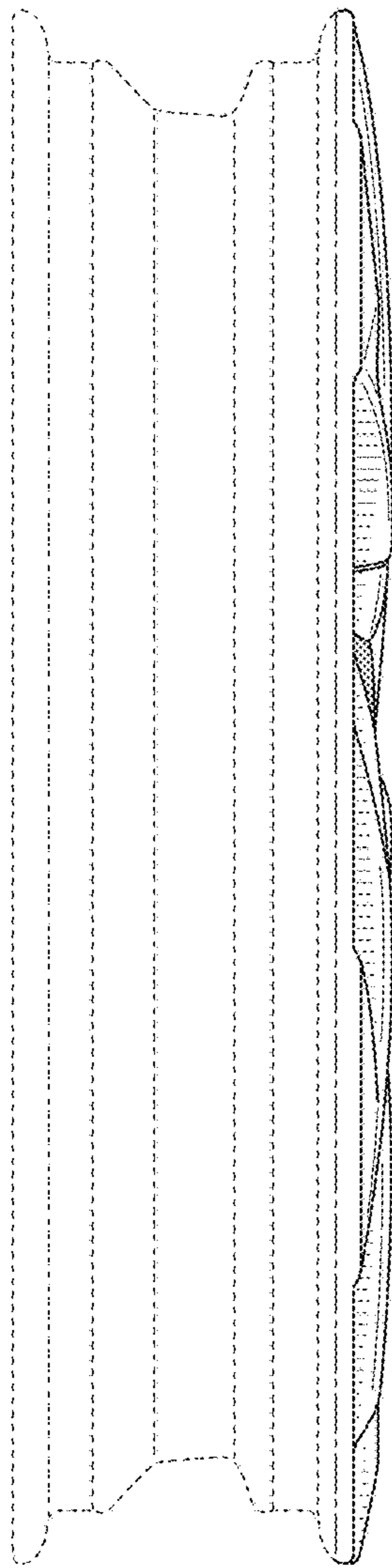


FIG. 5

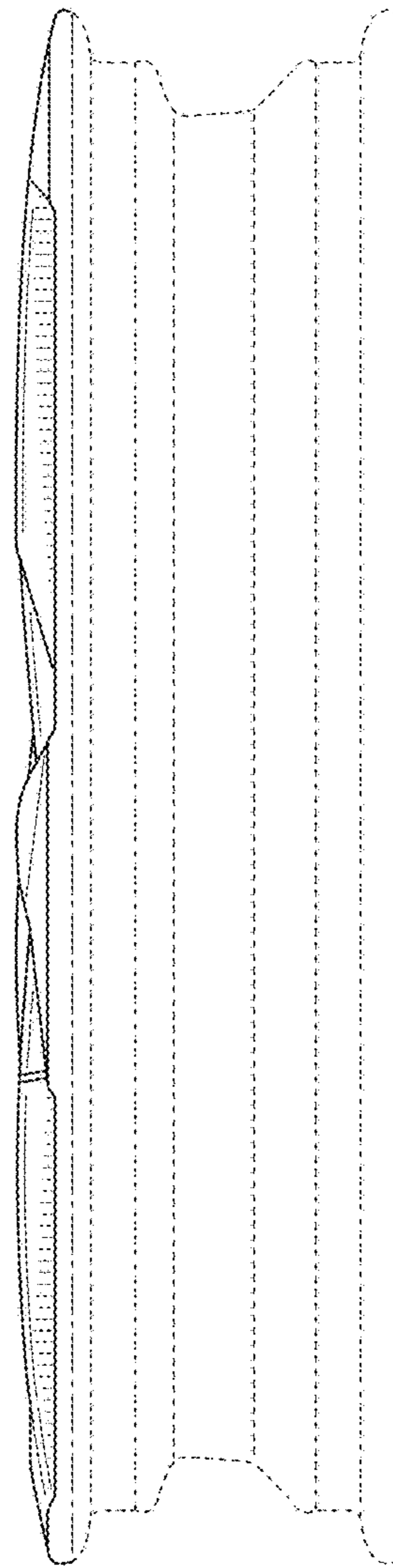


FIG. 6

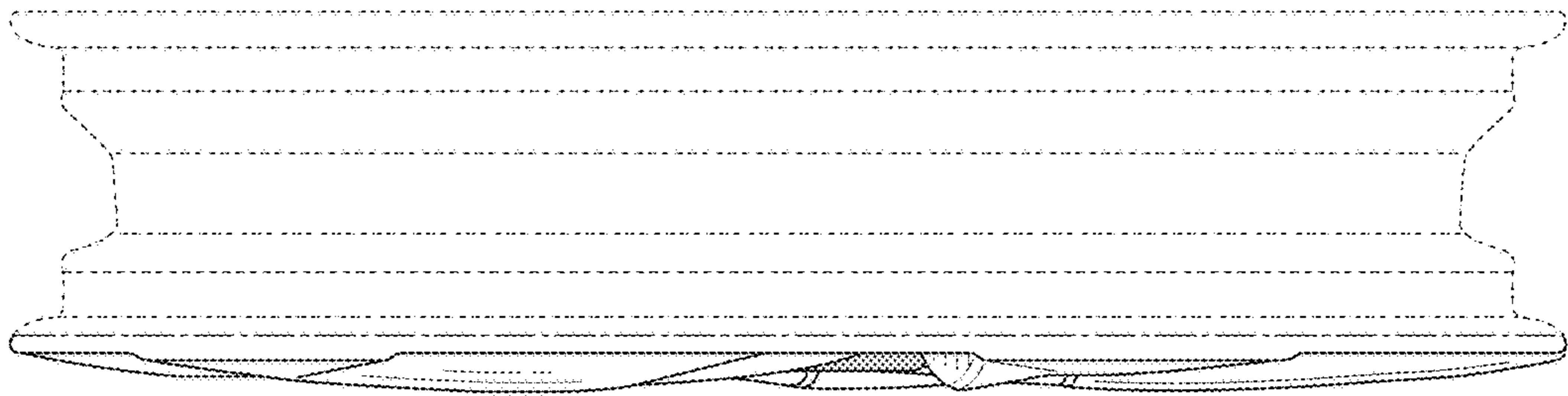


FIG. 7

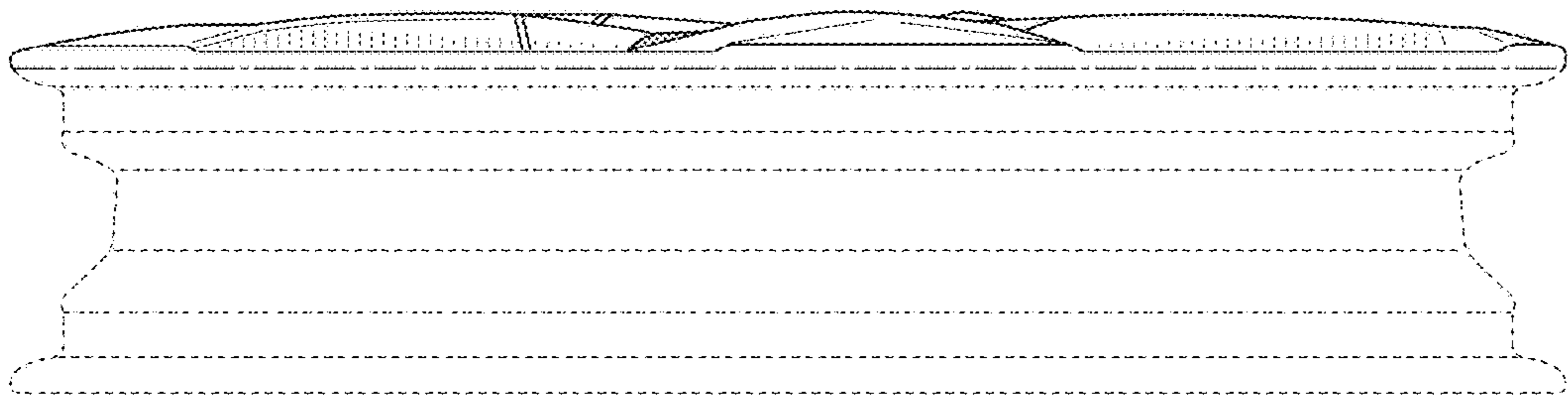


FIG. 8