



US00D830266S

(12) **United States Design Patent**
Lickliter

(10) **Patent No.:** **US D830,266 S**

(45) **Date of Patent:** **** Oct. 9, 2018**

(54) **WHEEL**

(71) Applicant: **Wheels Pros, LLC**, Greenwood Village, CO (US)

(72) Inventor: **Hans Lickliter**, Canyon Country, CA (US)

(**) Term: **15 Years**

(21) Appl. No.: **29/579,770**

(22) Filed: **Oct. 3, 2016**

(51) **LOC (11) Cl.** **12-16**

(52) **U.S. Cl.**
USPC **D12/209**

(58) **Field of Classification Search**
USPC D12/204–213; D21/533, 561, 563
CPC B60B 7/00; B60B 7/02; B60B 7/04; B60B 7/06; B60B 3/02; B60B 3/04; B60B 3/06; B60B 3/10; B60B 1/00; B60B 1/08; B60B 1/10; B60B 1/12
See application file for complete search history.

(56) **References Cited**

U.S. PATENT DOCUMENTS

| | | | |
|--------------|---------|------------|---------|
| D273,102 S | 3/1984 | Woodward | |
| D291,796 S | 9/1987 | Reid | |
| D361,975 S | 9/1995 | Weld | |
| D408,775 S | 4/1999 | Shikado | |
| D453,724 S | 2/2002 | Hodges | |
| D455,698 S | 4/2002 | Chung | |
| D464,010 S | 10/2002 | Chung | |
| D467,212 S | 12/2002 | Noriega | |
| D478,542 S | 8/2003 | Sulahian | |
| D482,996 S | 12/2003 | Sulahian | |
| D492,925 S | 7/2004 | Fitzgerald | |
| D496,317 S | 9/2004 | Kataoka | |
| D506,717 S * | 6/2005 | Gallert | D12/209 |
| D569,777 S | 5/2008 | Chung | |

| | | | |
|--------------|---------|----------|---------|
| D576,936 S | 9/2008 | Imai | |
| D578,457 S | 10/2008 | Guidry | |
| D598,357 S | 8/2009 | Chung | |
| D638,767 S | 5/2011 | Groom | |
| D663,672 S * | 7/2012 | Platto | D21/211 |
| D669,009 S | 10/2012 | Chung | |
| D695,193 S | 12/2013 | Kong | |
| D698,298 S | 1/2014 | Cortes | |
| D698,300 S | 1/2014 | Chung | |
| D711,304 S | 8/2014 | Chung | |
| D714,706 S * | 10/2014 | Chung | D12/211 |
| D715,211 S | 10/2014 | Gotschke | |
| D719,889 S * | 12/2014 | Hodges | D12/209 |
| D721,318 S * | 1/2015 | Kim | D21/211 |
| D726,628 S | 4/2015 | Kong | |
| D755,693 S * | 5/2016 | Lee | D12/209 |
| D761,178 S * | 7/2016 | Johnson | D12/209 |
| D800,630 S * | 10/2017 | Tran | D12/209 |
| D802,509 S * | 11/2017 | Tran | D12/209 |
| D821,284 S * | 6/2018 | Tran | D12/209 |

* cited by examiner

Primary Examiner — Sheryl Lane
Assistant Examiner — Calvin E Vansant
(74) *Attorney, Agent, or Firm* — Eric Hanscom

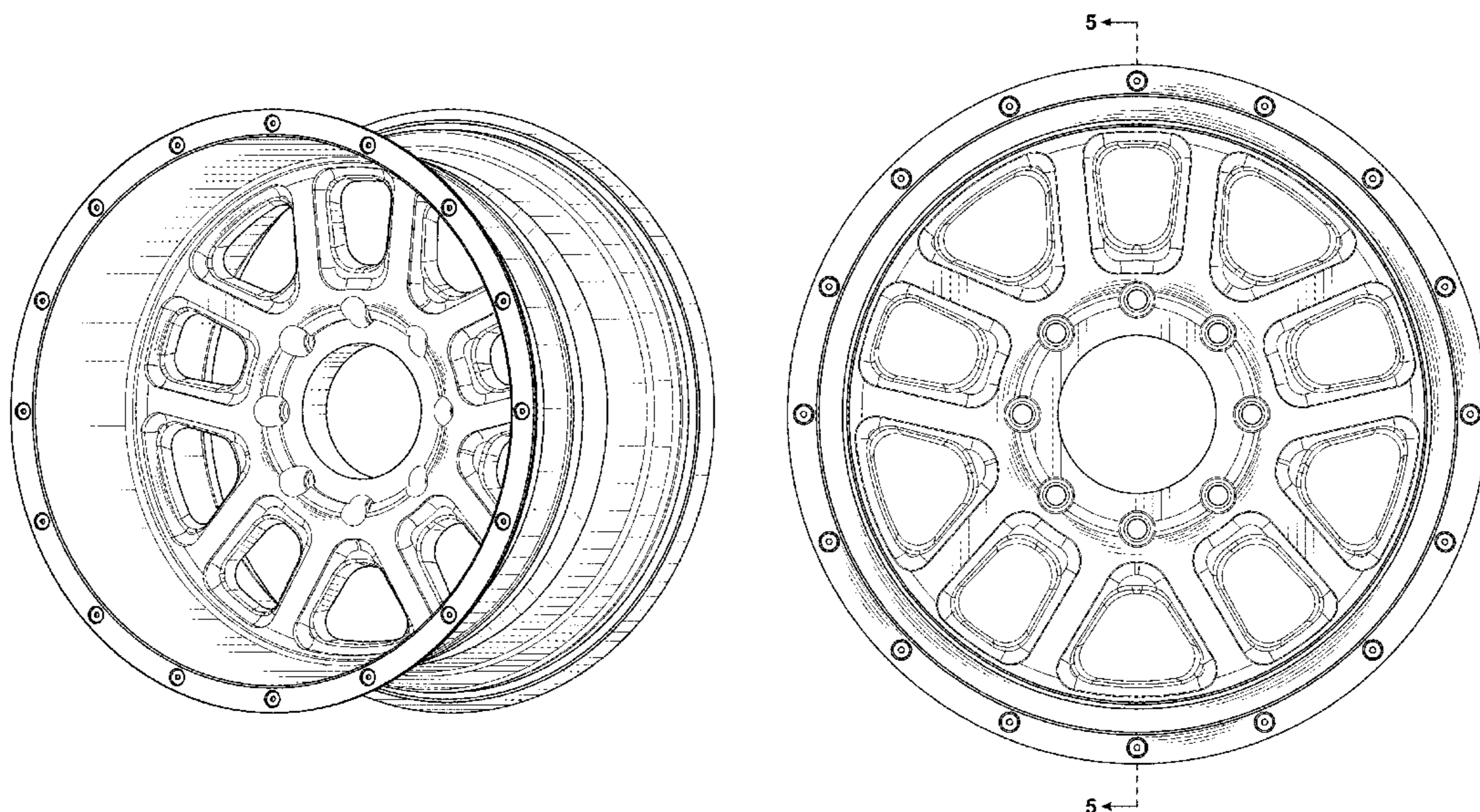
(57) **CLAIM**

The ornamental design for a wheel, as shown and described.

DESCRIPTION

FIG. 1 is a perspective view of a wheel showing my new design;
FIG. 2 is a front view thereof;
FIG. 3 is a back view thereof;
FIG. 4 is a left-side view thereof; and,
FIG. 5 is a right-side cross section view taken along line 5-5 of FIG. 2.
The broken lines depict portions of the wheel that form no part of the claimed design.

1 Claim, 5 Drawing Sheets



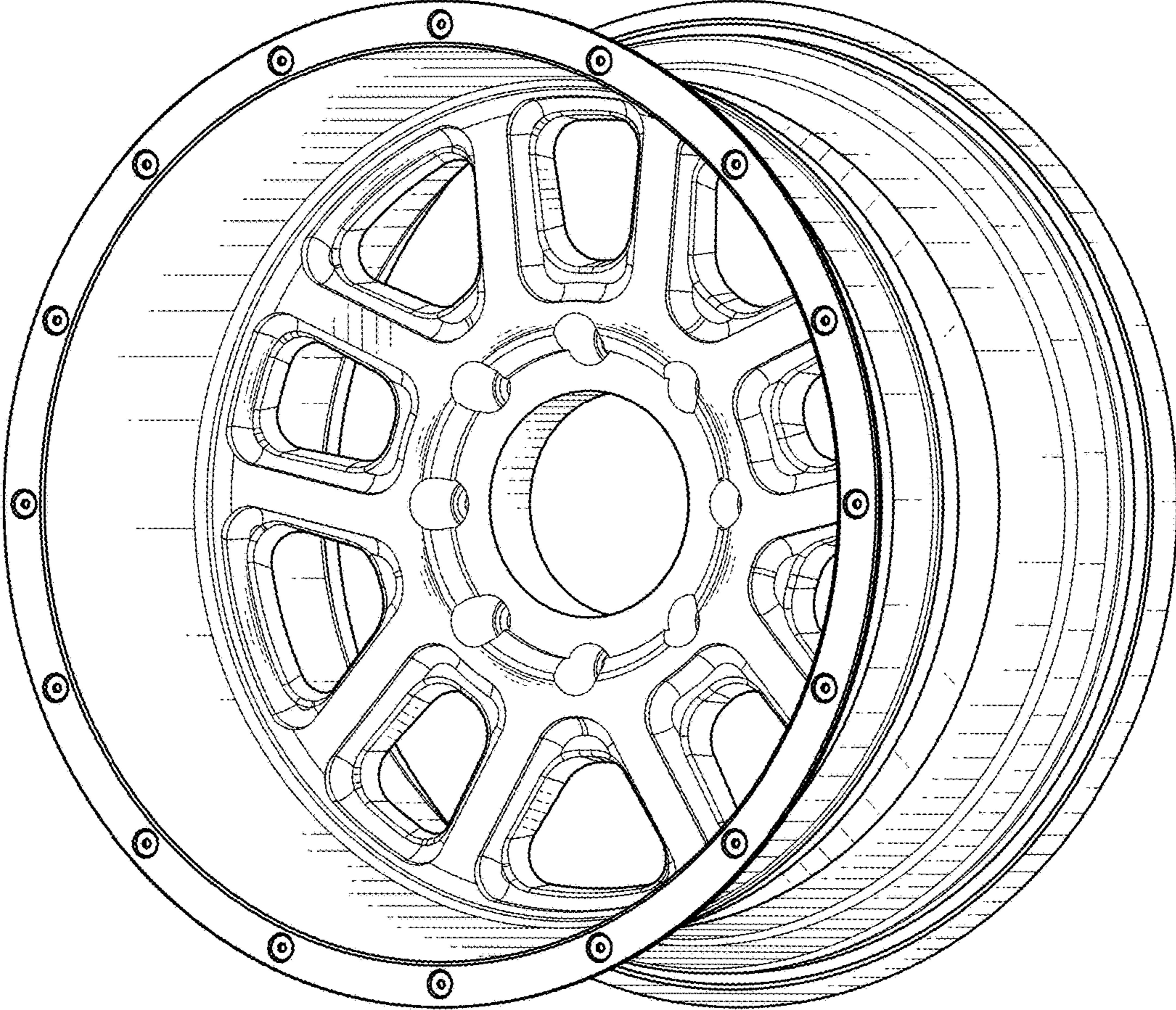


FIG. 1

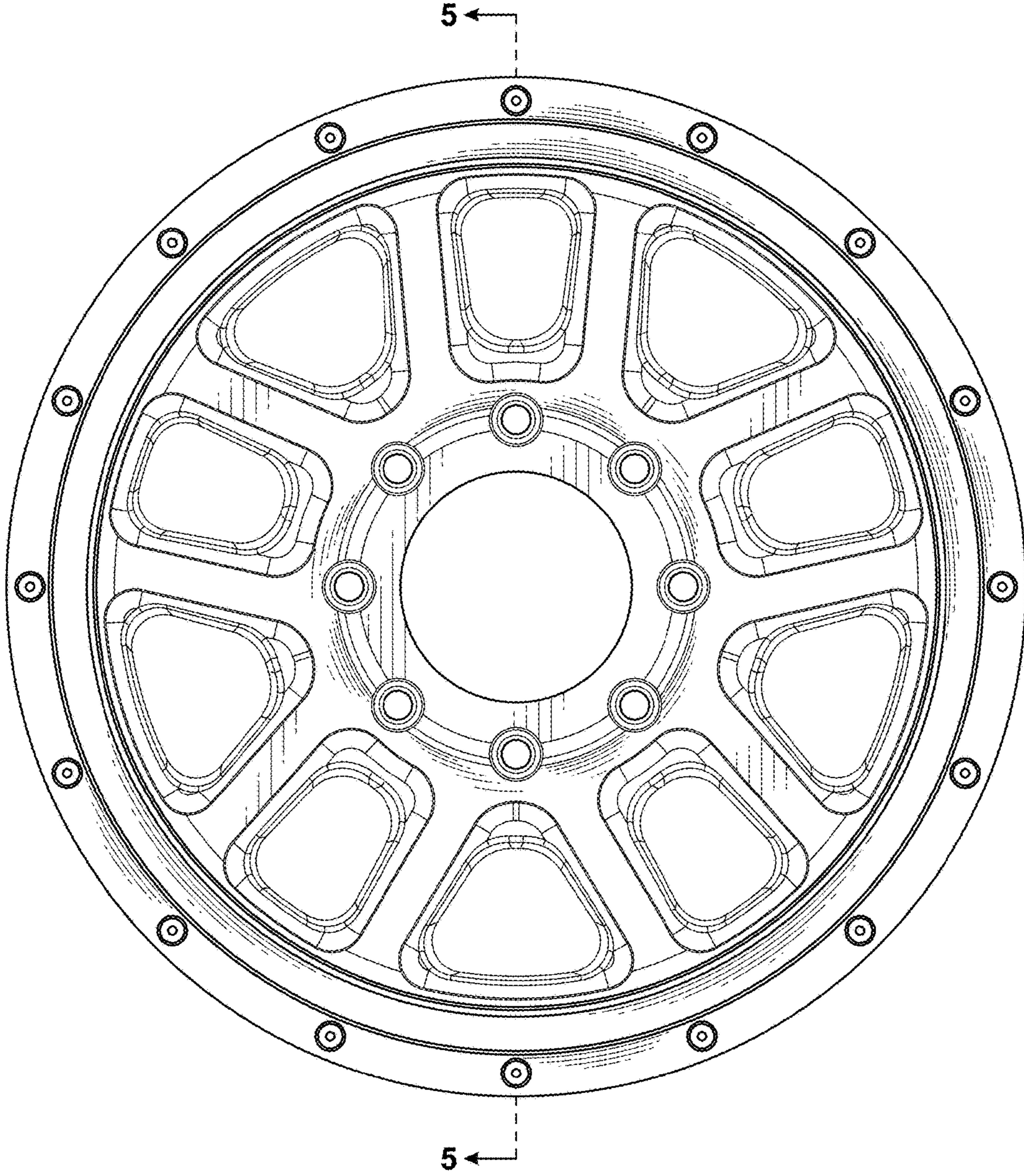


FIG. 2

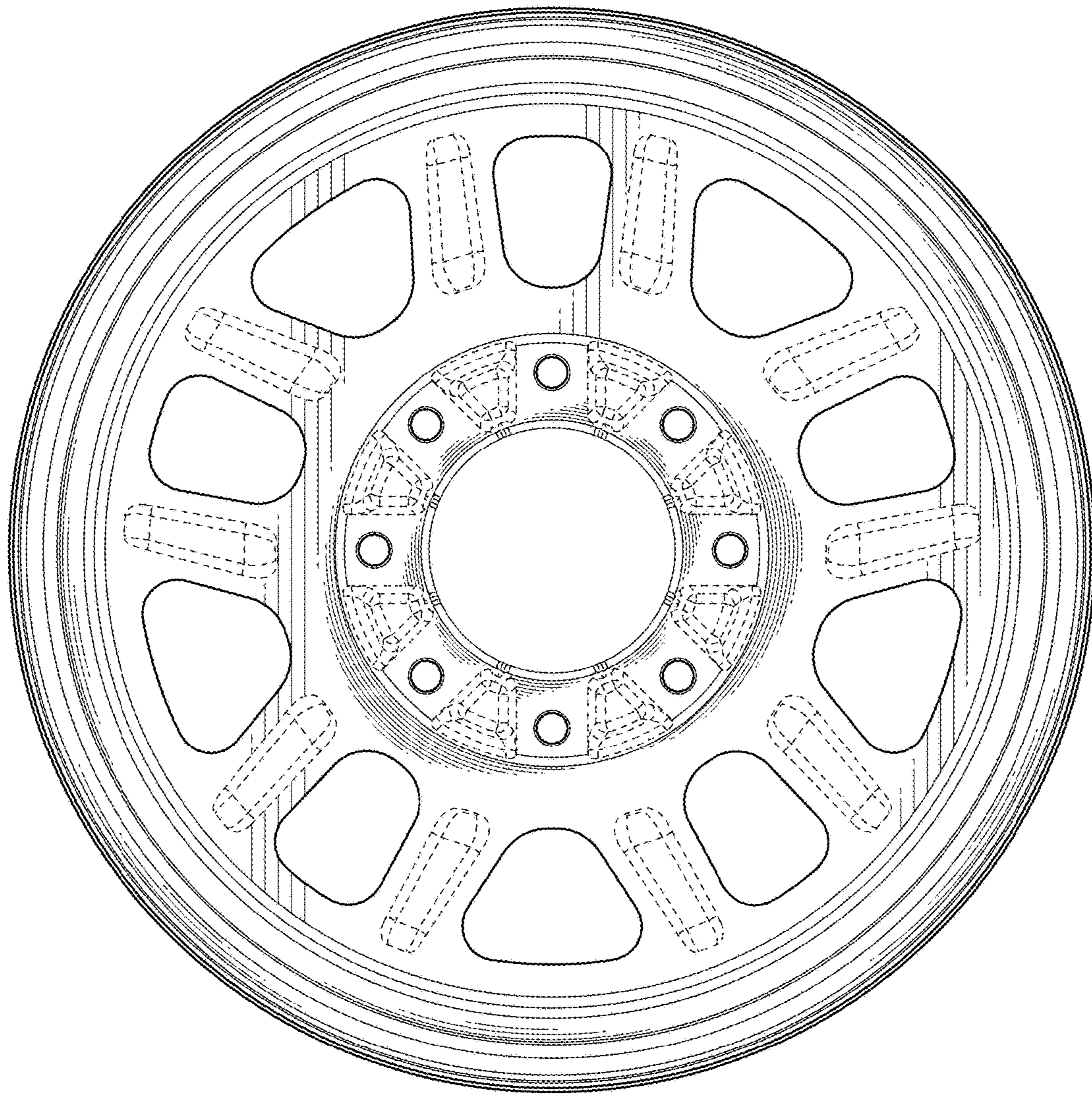


FIG. 3

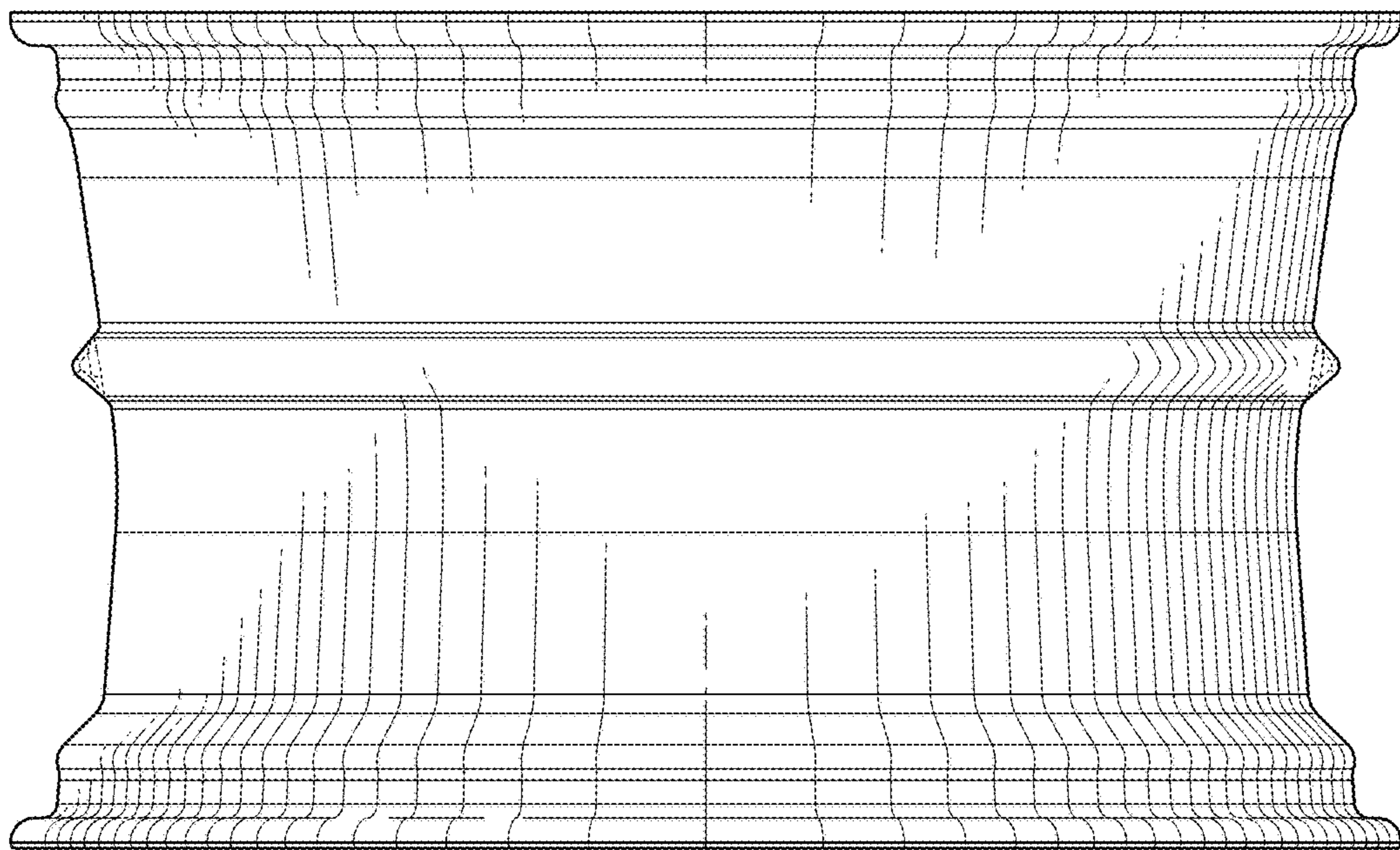


FIG. 4

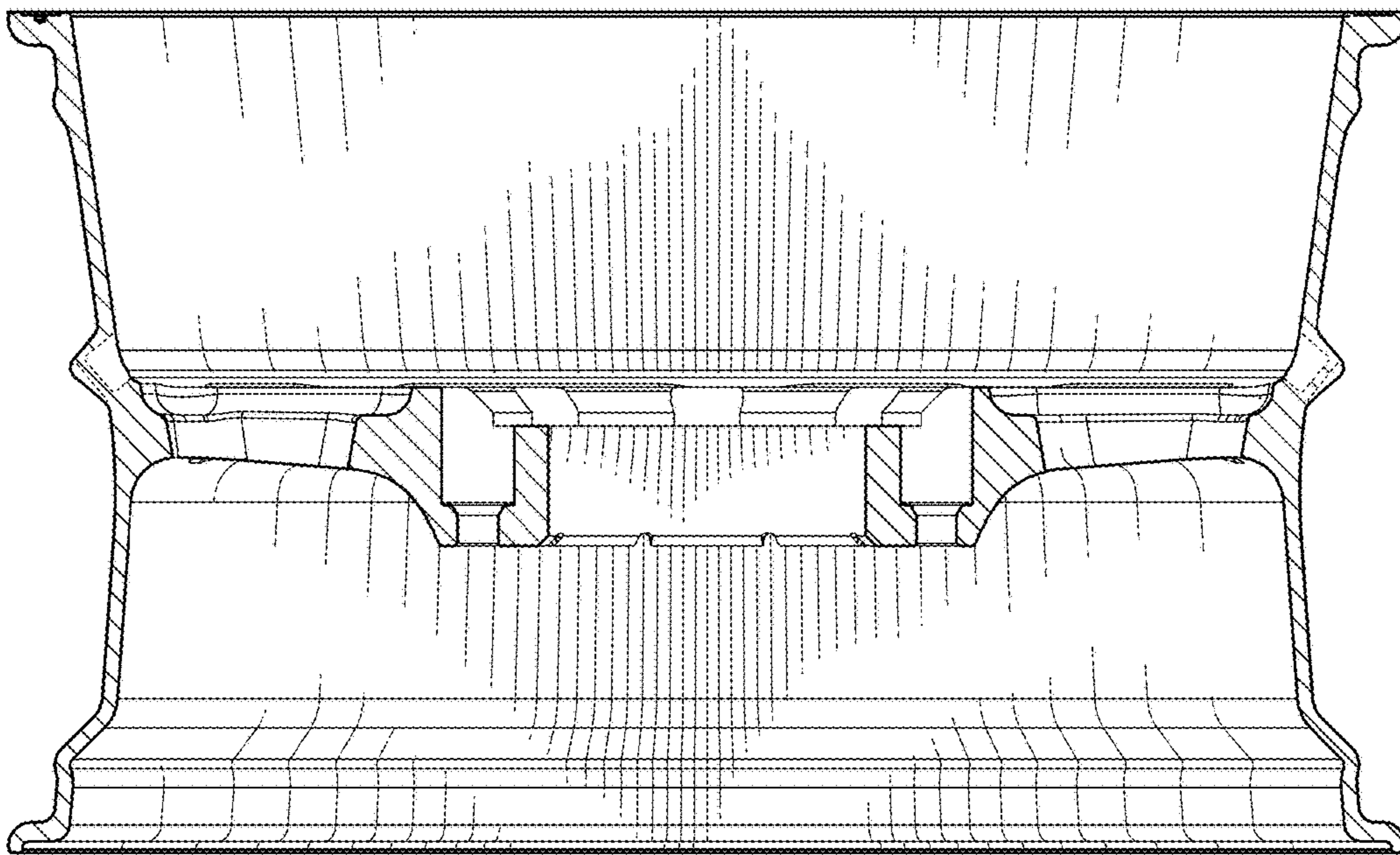


FIG. 5