



US00D830265S

(12) **United States Design Patent**
Chung

(10) **Patent No.:** **US D830,265 S**

(45) **Date of Patent:** **** Oct. 9, 2018**

(54) **AUTOMOTIVE WHEEL**

(71) Applicant: **Design Infini, Inc.**, Corona, CA (US)

(72) Inventor: **Suny Chung**, Anaheim, CA (US)

(73) Assignee: **Design Infini, Inc.**, Corona, CA (US)

(**) Term: **15 Years**

(21) Appl. No.: **29/576,784**

(22) Filed: **Sep. 7, 2016**

(51) **LOC (11) Cl.** **12-16**

(52) **U.S. Cl.**

USPC **D12/209**

(58) **Field of Classification Search**

USPC D12/204–213

CPC B60B 7/00; B60B 7/02; B60B 7/04; B60B 7/01; B60B 7/06; B60B 3/02; B60B 3/04; B60B 3/06; B60B 3/10; B60B 1/00; B60B 1/08; B60B 1/10; B60B 1/12

See application file for complete search history.

(56) **References Cited**

U.S. PATENT DOCUMENTS

D415,091 S	*	10/1999	Echazabal	D12/209
D420,638 S	*	2/2000	Herrera	D12/209
D436,338 S	*	1/2001	Hussaini	D12/209
D547,251 S	*	7/2007	Baum	D12/209
D630,565 S	*	1/2011	Ebel	D12/209
D644,158 S	*	8/2011	Nissl	D12/211
D651,959 S	*	1/2012	Groom	D12/209
D714,206 S	*	9/2014	Starr, Jr.	D12/209
D754,048 S	*	4/2016	Starr, Jr.	D12/209
D759,562 S	*	6/2016	Wheel	D12/209

D761,711 S	*	7/2016	Wolff	D12/209
D762,545 S	*	8/2016	Hodges	D12/209
D781,767 S	*	3/2017	Peat	D12/211

* cited by examiner

Primary Examiner — Sheryl Lane

Assistant Examiner — Calvin E Vansant

(74) *Attorney, Agent, or Firm* — Knobbe, Martens, Olson & Bear, LLP

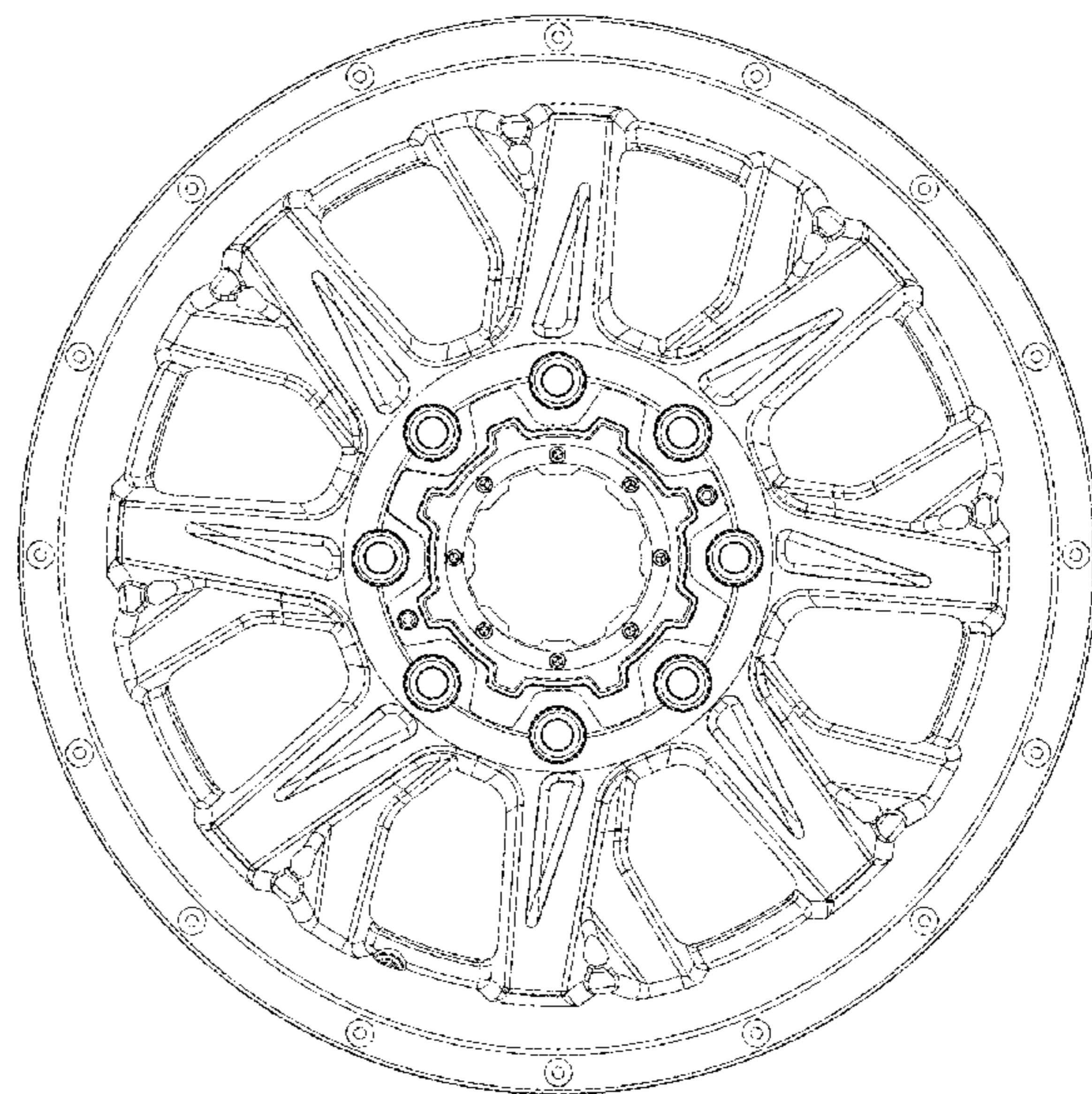
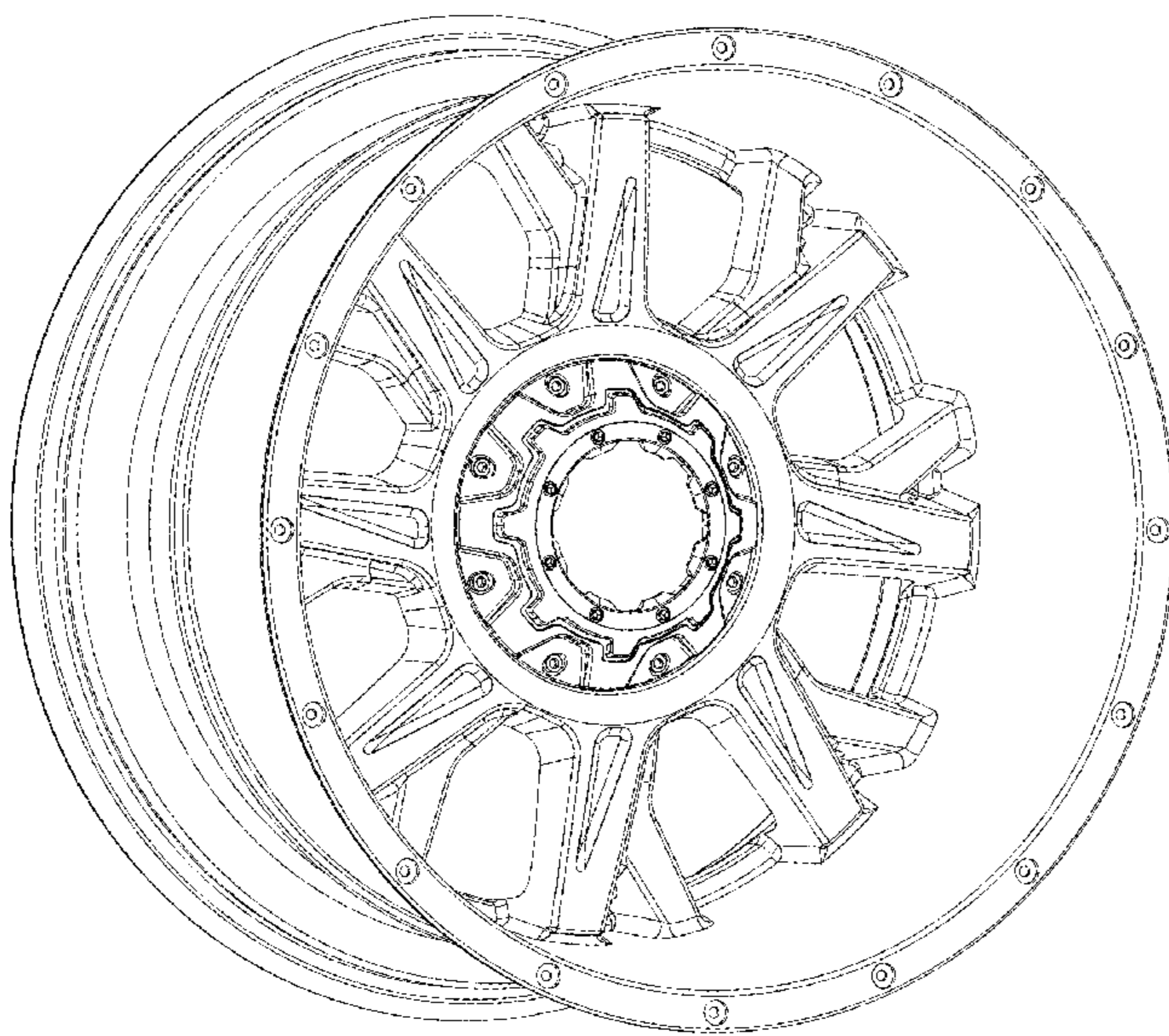
(57) **CLAIM**

The ornamental design for an automotive wheel, as shown and described.

DESCRIPTION

FIG. 1 is a standard perspective view of a first embodiment of an automotive wheel, showing my new design;
 FIG. 2 is a narrow perspective view thereof;
 FIG. 3 is a front view thereof;
 FIG. 4 is a standard perspective view of a second embodiment of an automotive wheel, showing my new design;
 FIG. 5 is a narrow perspective view thereof;
 FIG. 6 is a front view thereof;
 FIG. 7 is a standard perspective view of a third embodiment of an automotive wheel, showing my new design;
 FIG. 8 is a narrow perspective view thereof;
 FIG. 9 is a front view thereof;
 FIG. 10 is a standard perspective view of a fourth embodiment of an automotive wheel, showing my new design;
 FIG. 11 is a narrow perspective view thereof;
 FIG. 12 is a front view thereof; and,
 FIG. 13 is a side view of an automotive wheel.

1 Claim, 13 Drawing Sheets



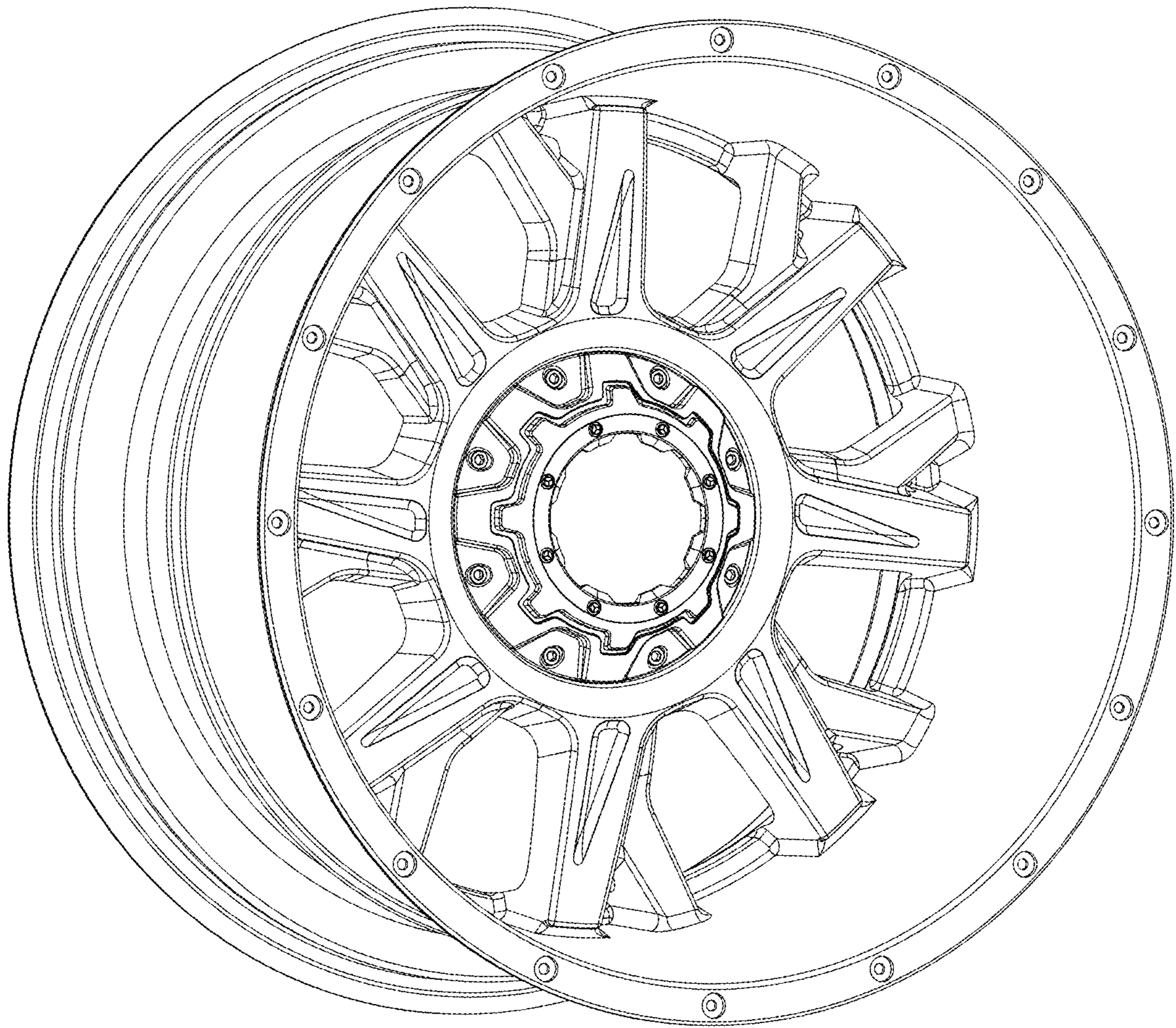


FIG. 1

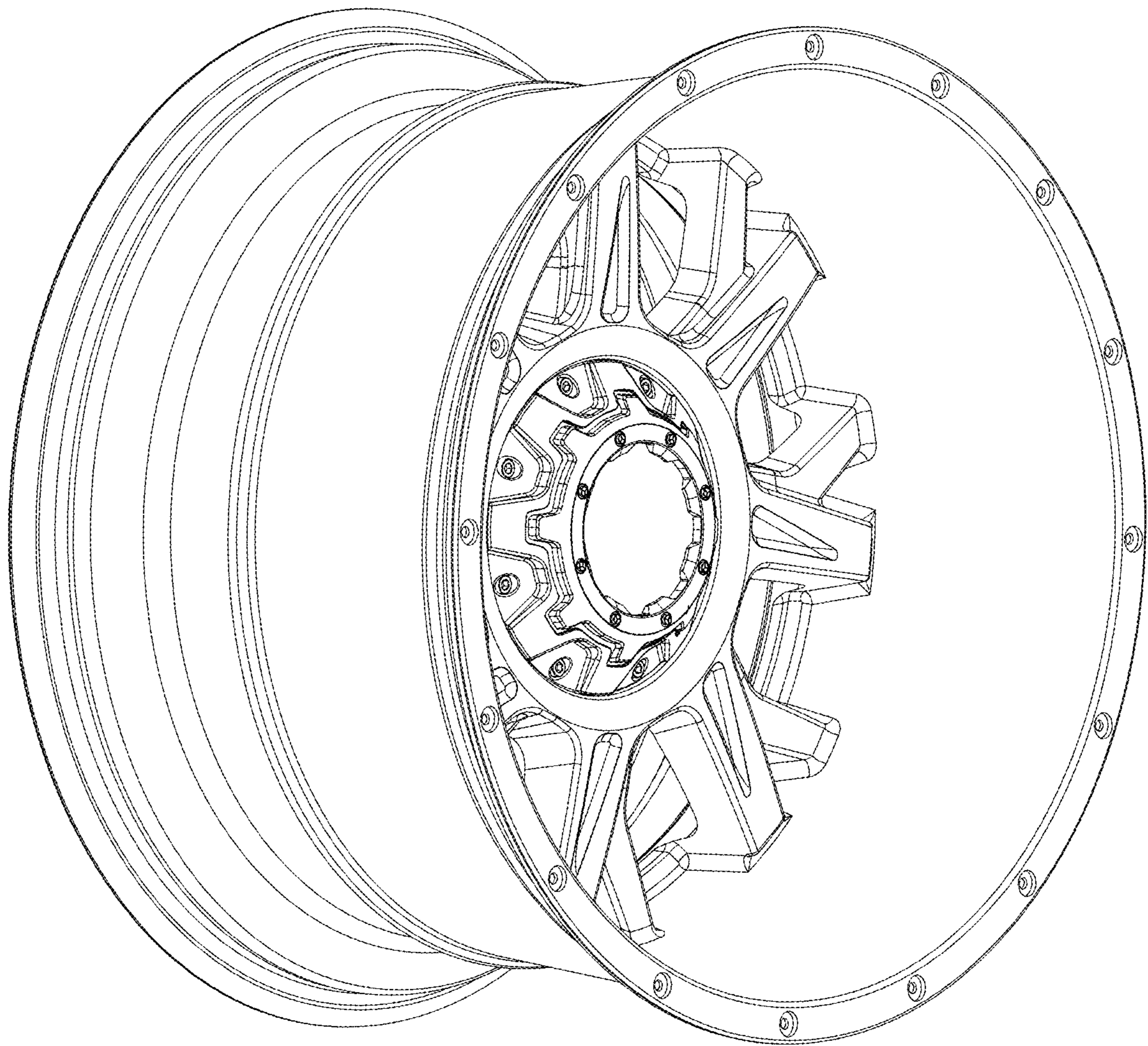


FIG. 2

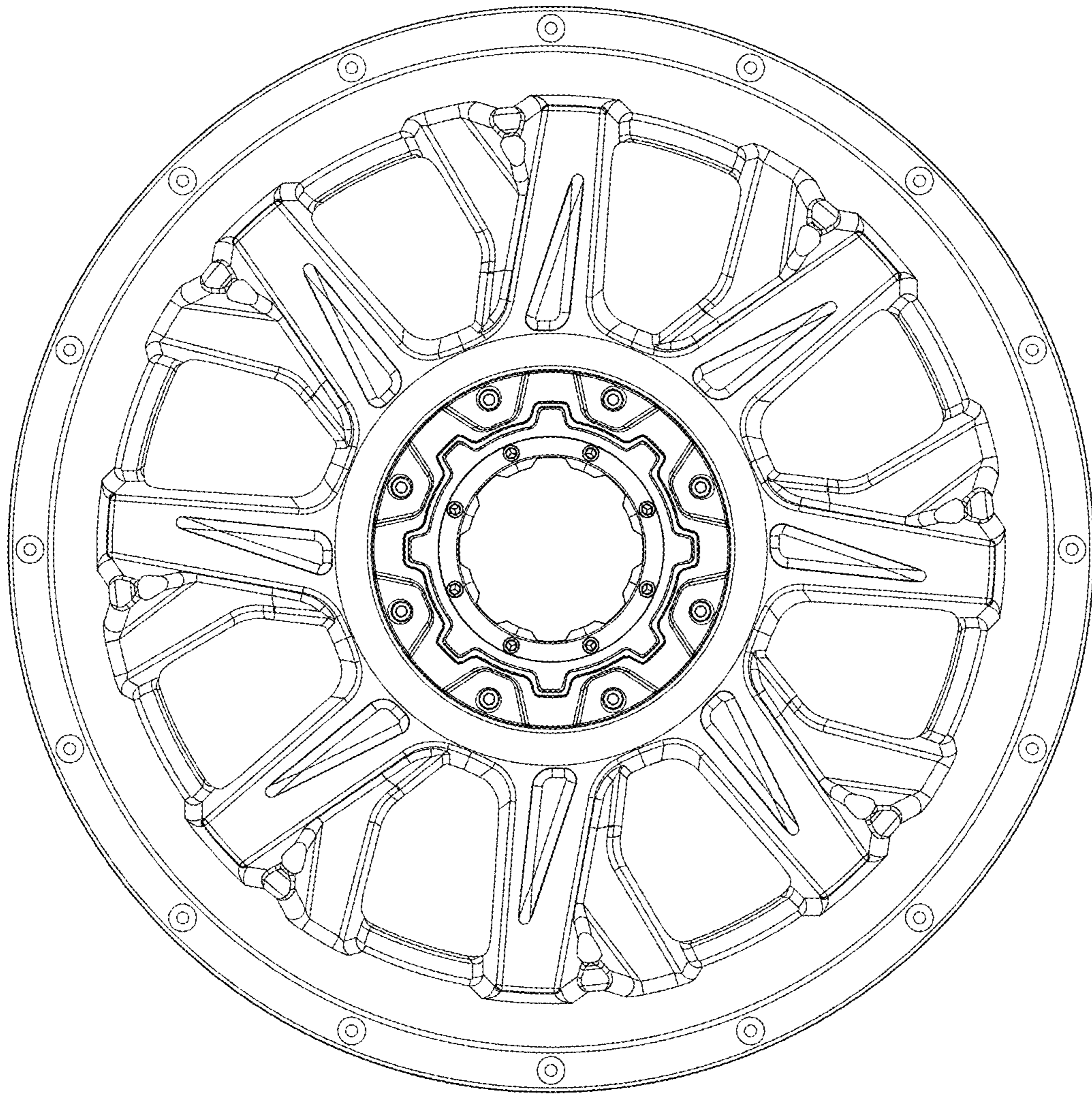


FIG. 3

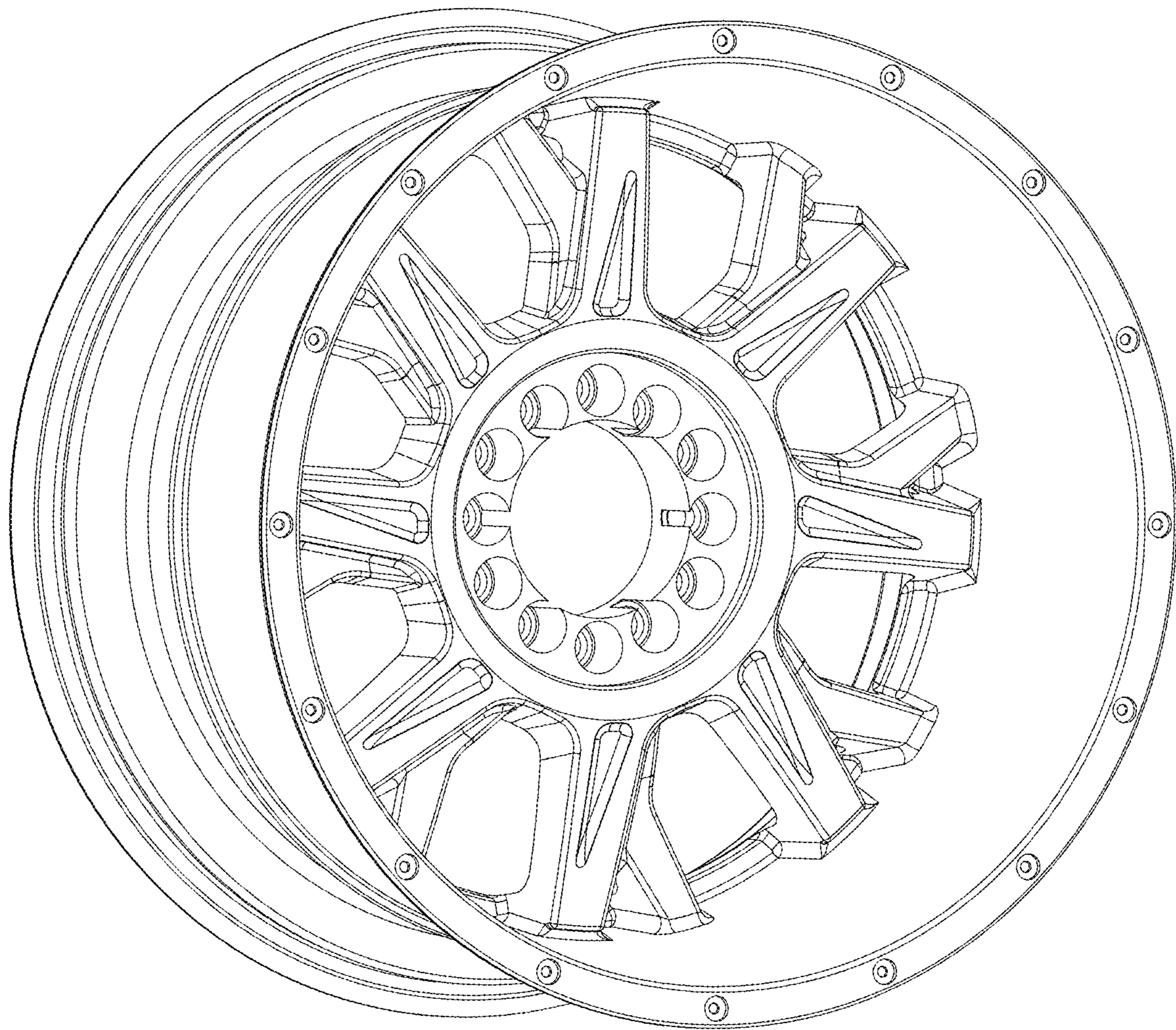


FIG. 4

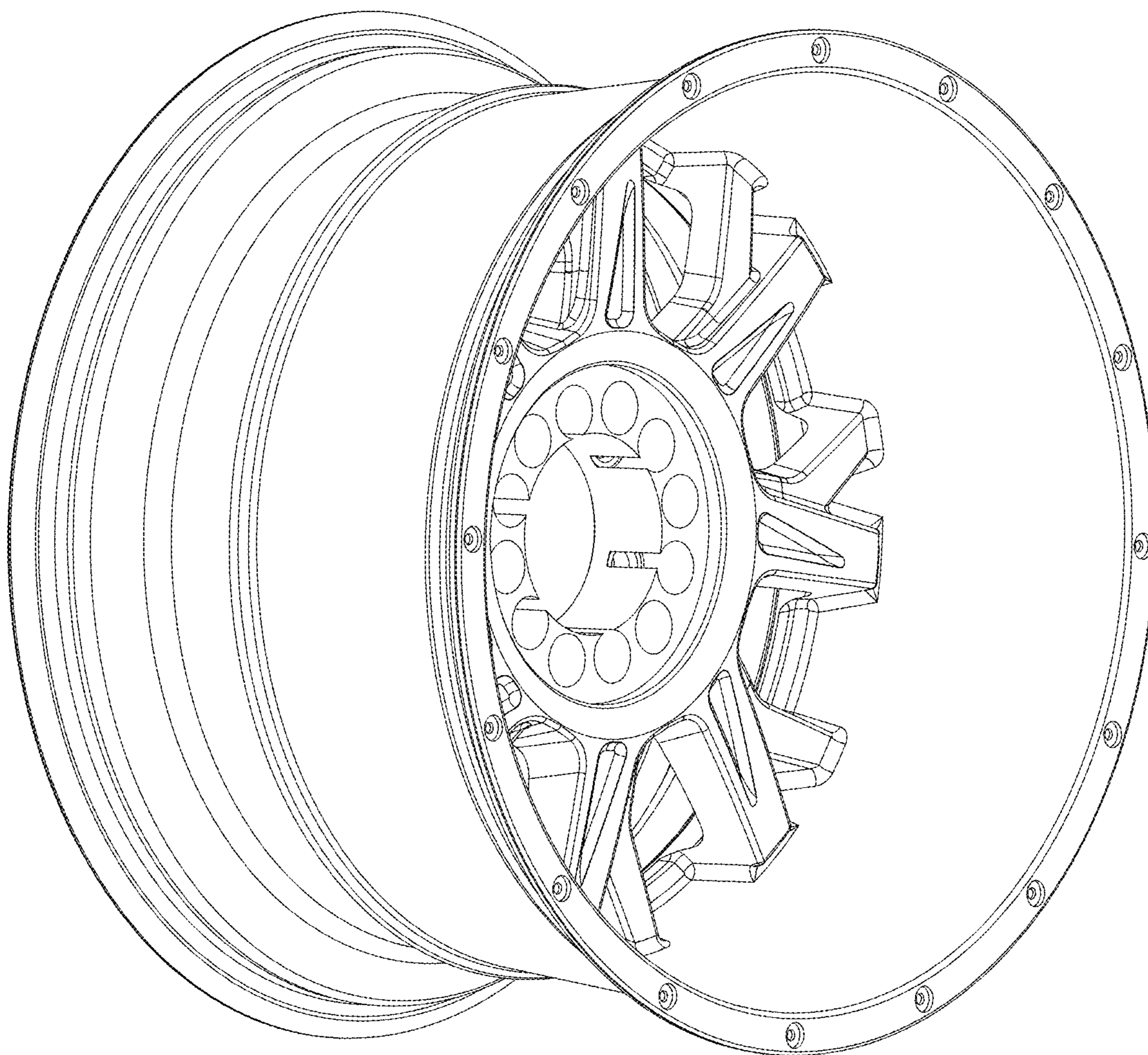


FIG. 5

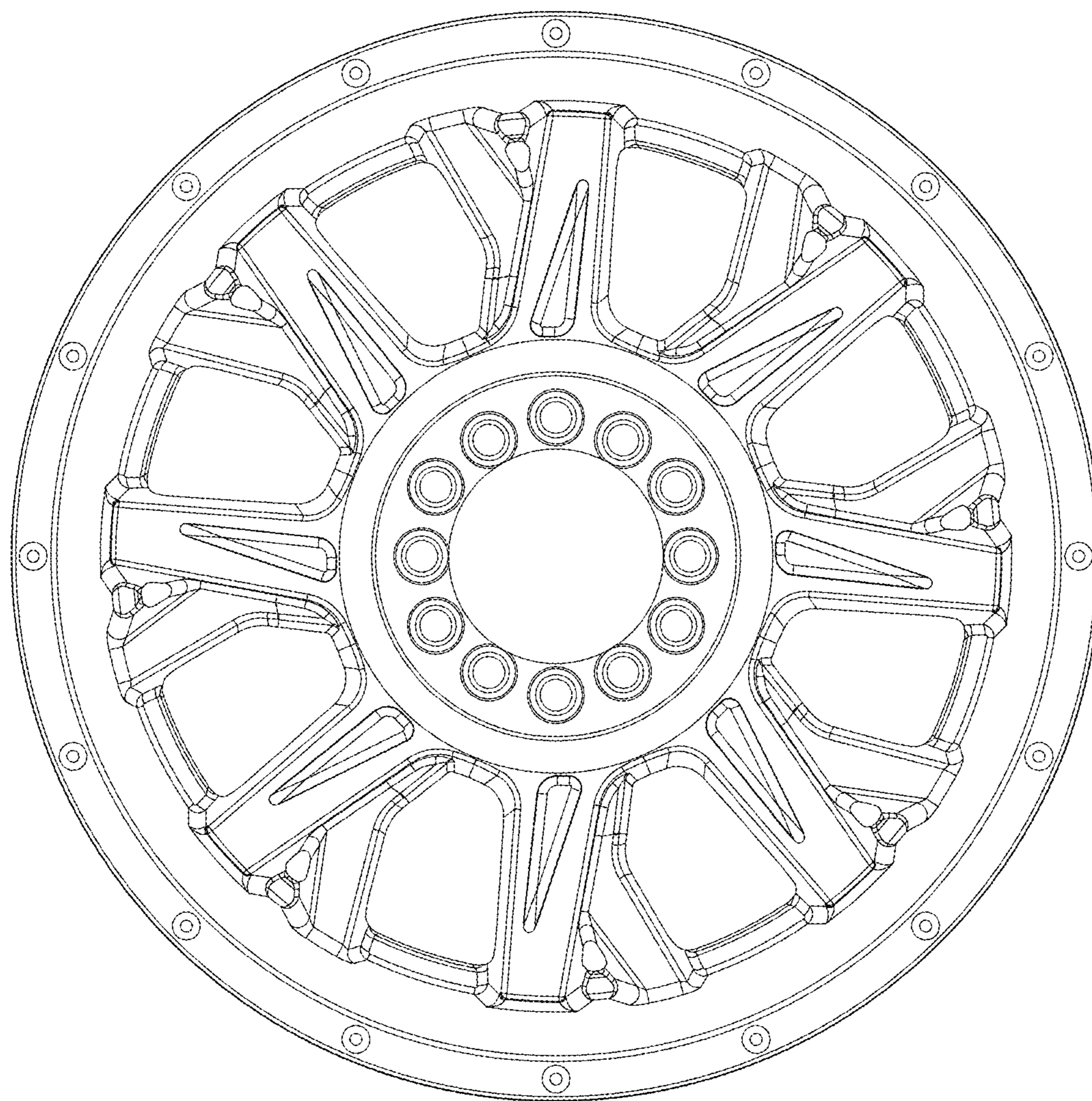


FIG. 6

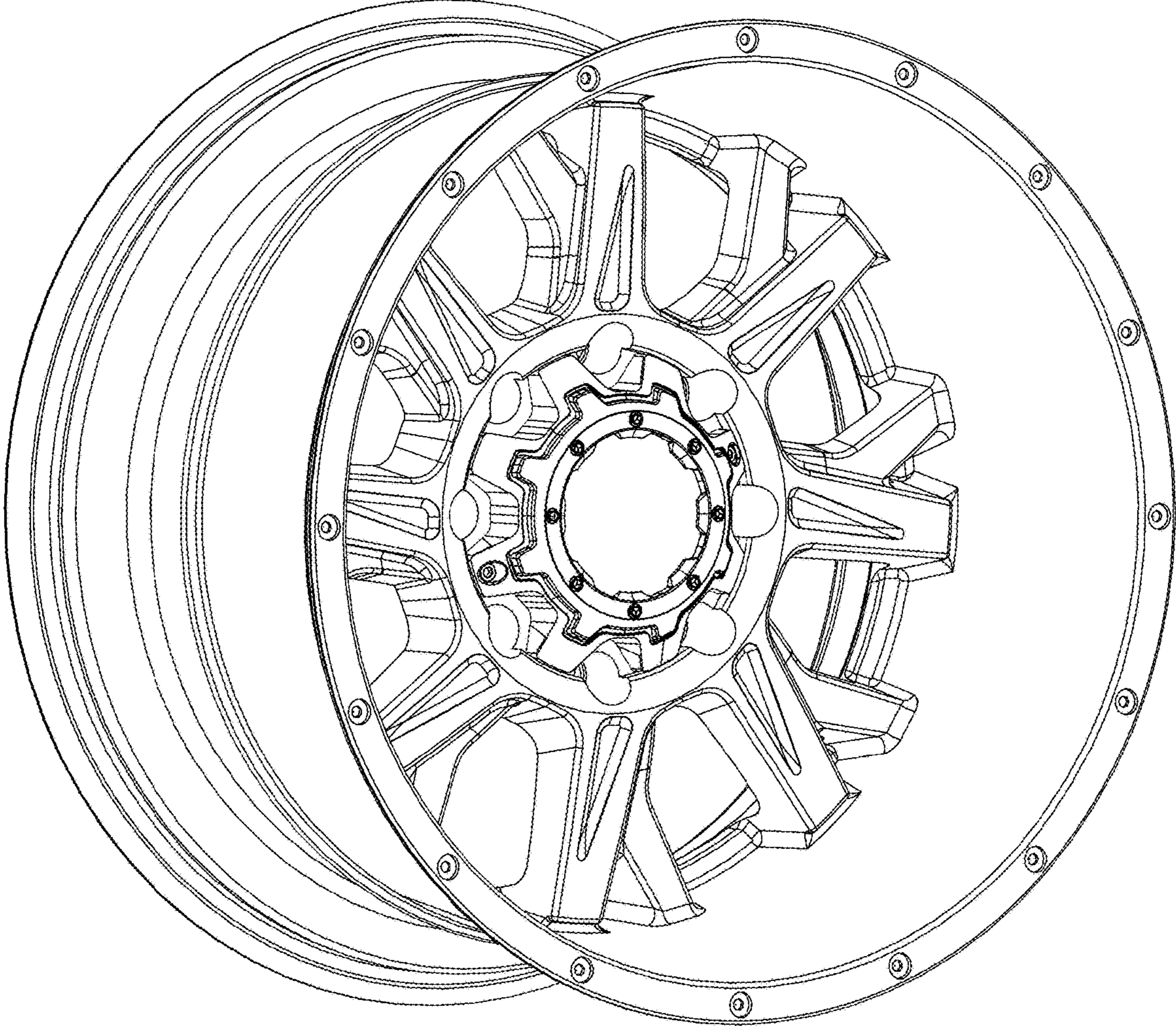


FIG. 7

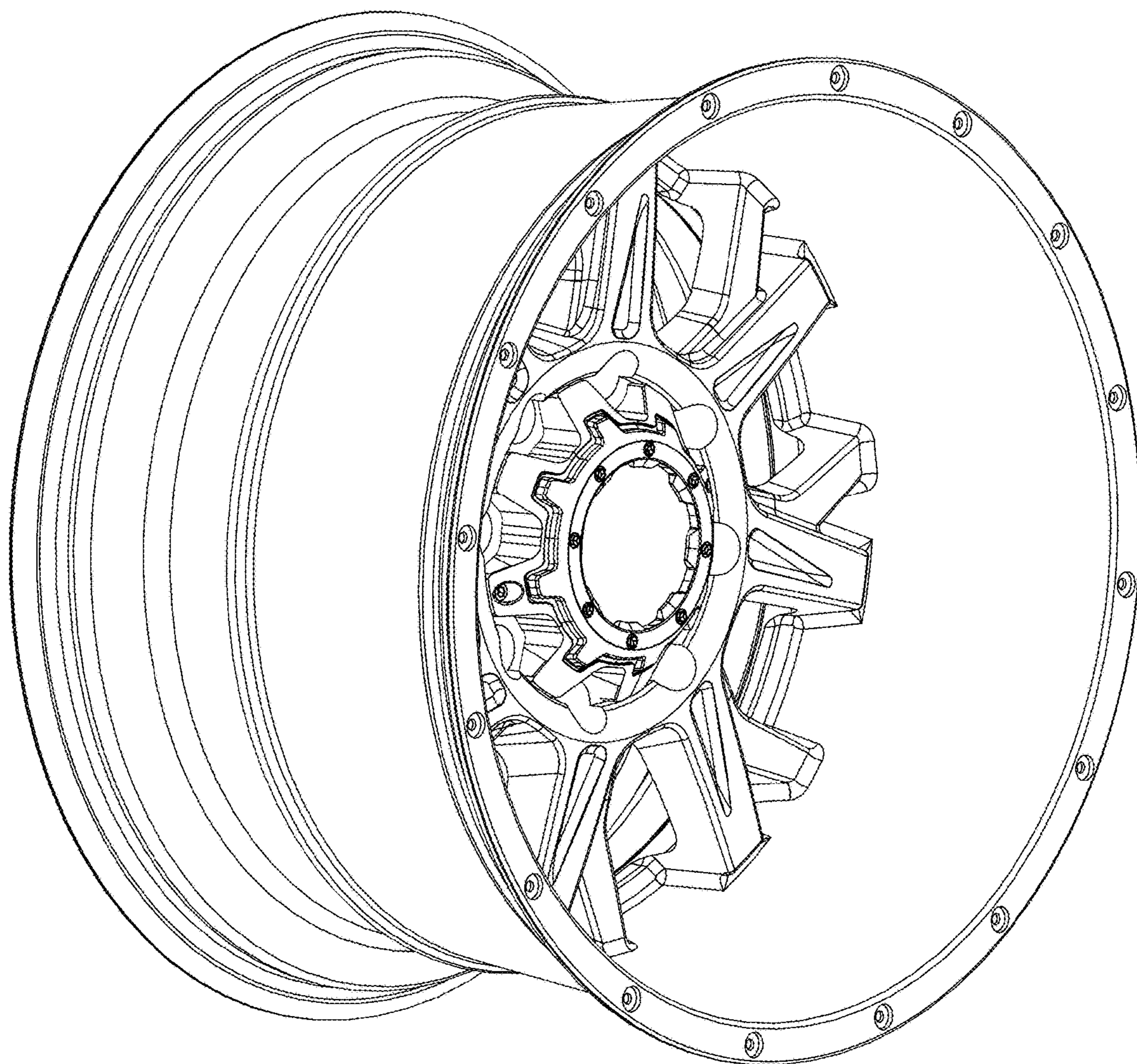


FIG. 8

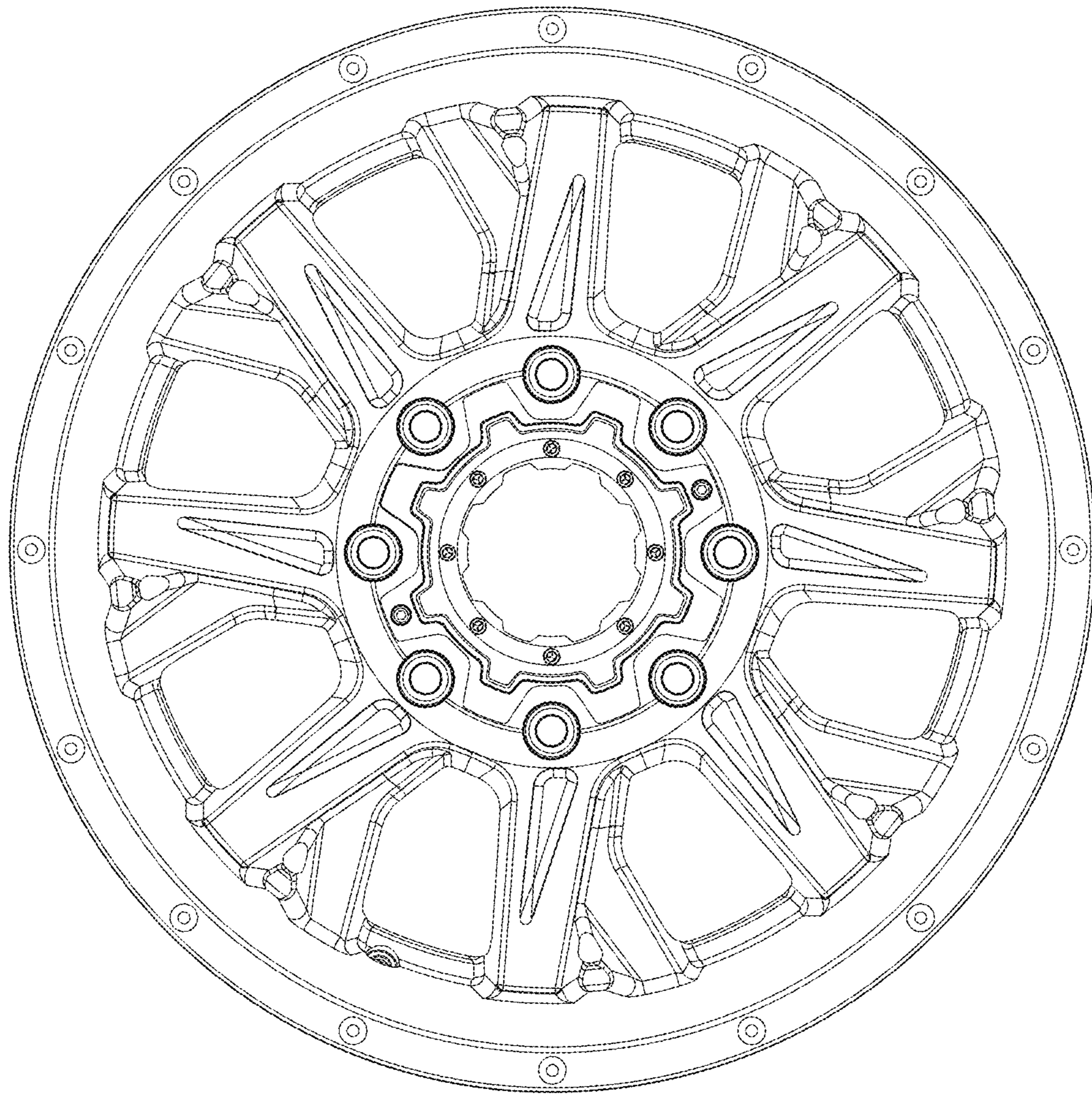


FIG. 9

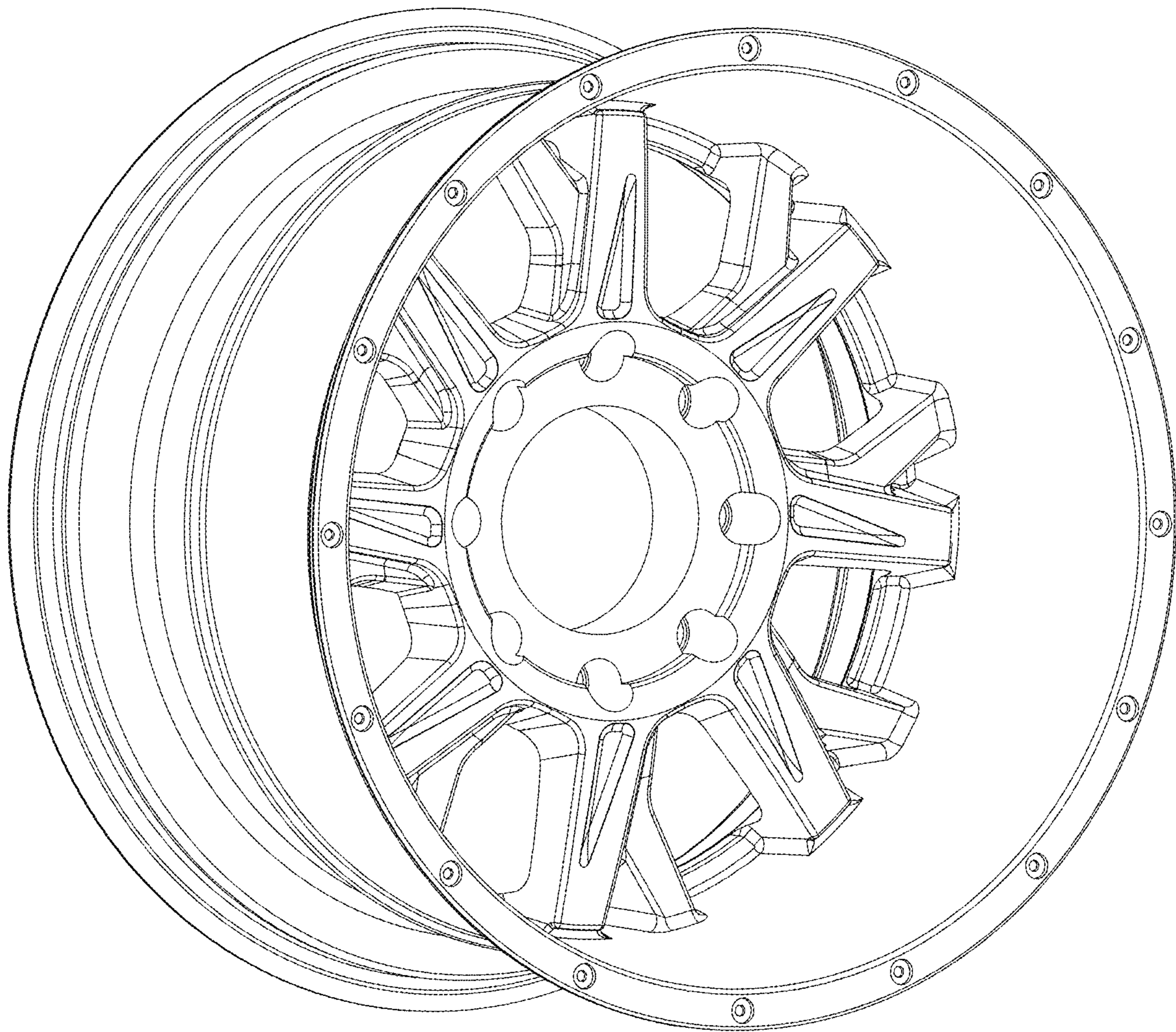


FIG. 10

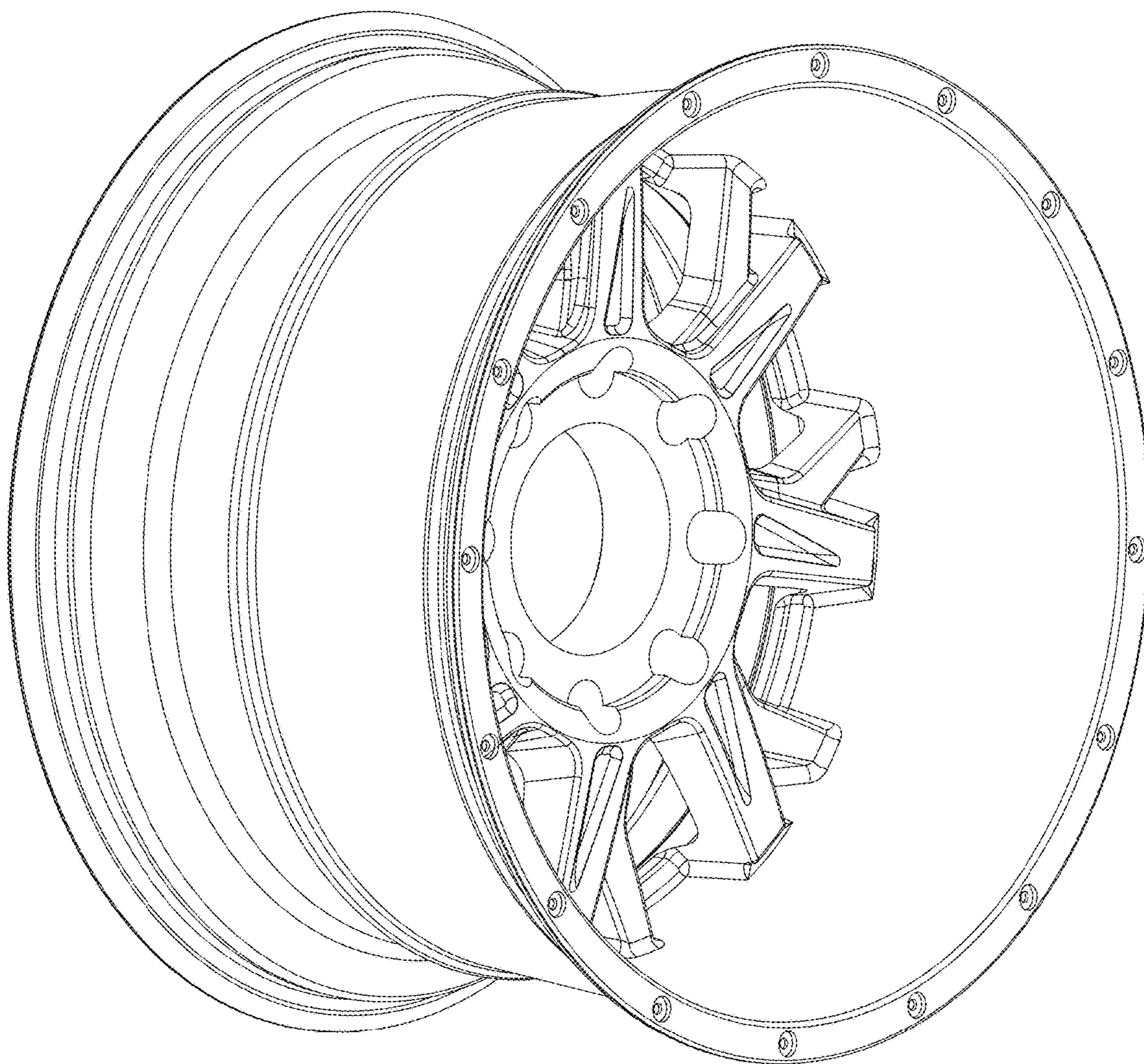


FIG. 11

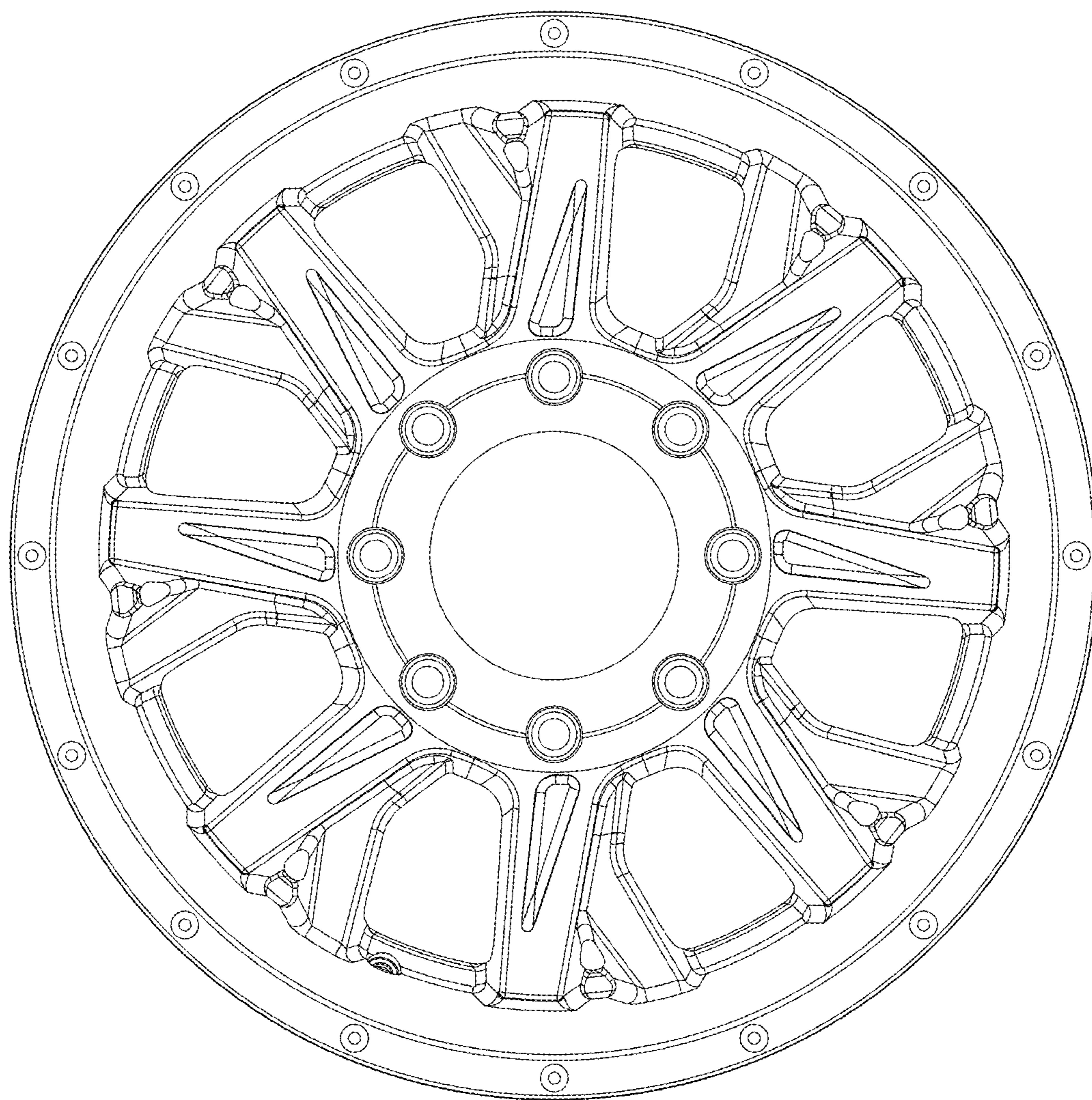


FIG. 12

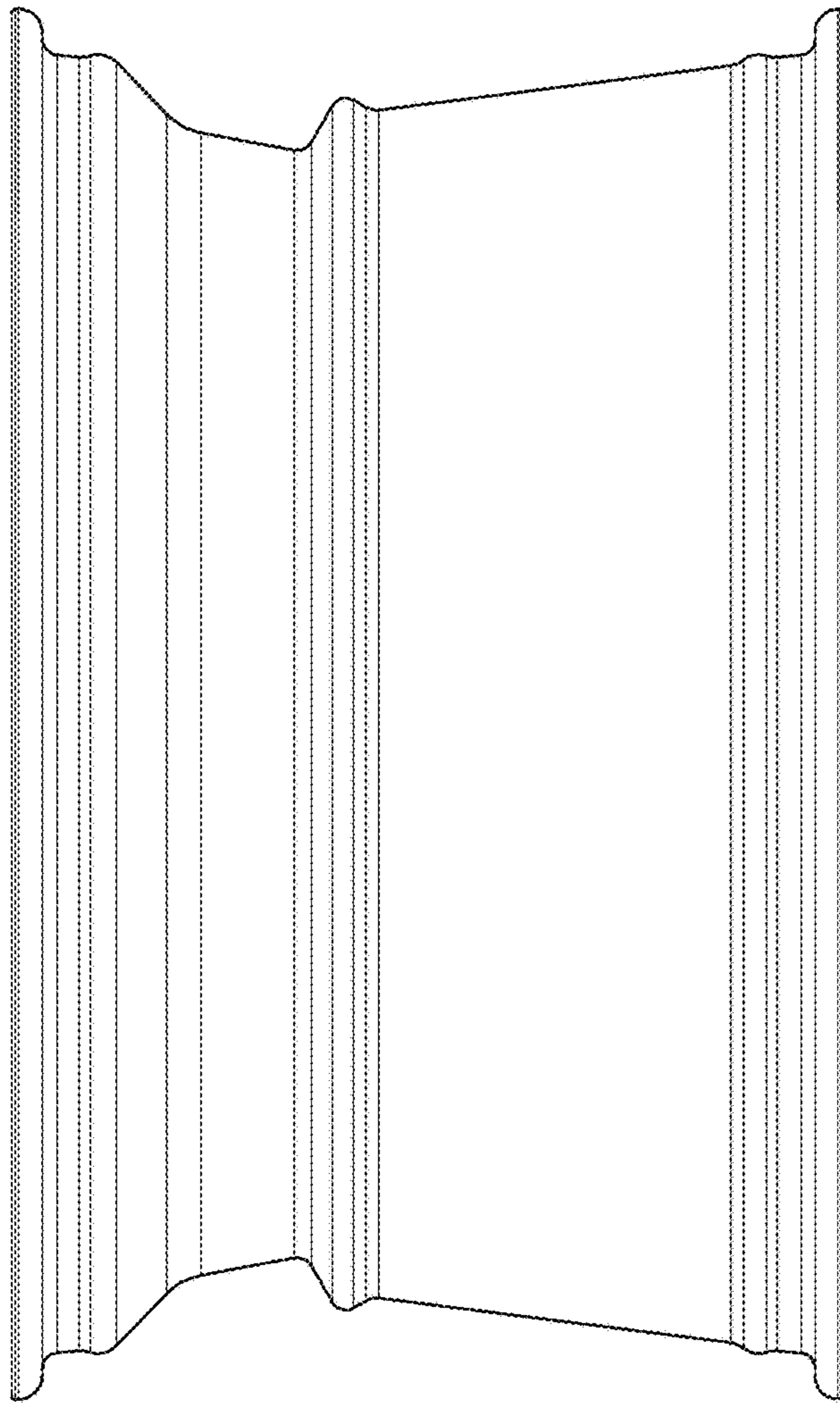


FIG. 13