



US00D830264S

(12) **United States Design Patent**
Biderman et al.

(10) **Patent No.:** **US D830,264 S**

(45) **Date of Patent:** **** Oct. 9, 2018**

(54) **SINGLE SPEED MOTORIZED WHEEL HUB**

(71) Applicant: **Superpedestrian Inc.**, Cambridge, MA (US)

(72) Inventors: **Assaf Biderman**, Boston, MA (US);
Robert Paul Roy, Dracut, MA (US)

(73) Assignee: **Superpedestrian, Inc.**, Cambridge, MA (US)

(**) Term: **14 Years**

(21) Appl. No.: **29/509,906**

(22) Filed: **Nov. 21, 2014**

(51) **LOC (11) Cl.** **12-16**

(52) **U.S. Cl.**
USPC **D12/207**

(58) **Field of Classification Search**
USPC D12/204–213, 111, 123; D15/3; 301/6.5
CPC B60B 7/00; B60B 7/02; B60B 7/04; B60B 7/01; B60B 7/06; B60B 3/02; B60B 3/04; B60B 3/06; B60B 3/10; B60B 1/00; B60B 1/08; B60B 1/10; B60B 1/12; B60B 1/003; B60B 27/04; B60B 27/0015; B60L 8/003; B60L 11/007; H02K 1/141; B62M 7/12

See application file for complete search history.

(56) **References Cited**

U.S. PATENT DOCUMENTS

D103,728 S *	3/1937	LeJeune	D12/211
D218,232 S	8/1970	Shimano et al.	
D218,964 S *	10/1970	Shimano et al.	D12/205
D232,630 S	9/1974	Siroonian et al.	
D248,747 S *	8/1978	Hood	D12/205
D269,081 S	5/1983	Hayashi	
D269,506 S *	6/1983	Suzuki	D12/205
D269,603 S *	7/1983	Whitmarsh	D12/205
D281,062 S	10/1985	Hess	
D312,998 S	12/1990	Carlson	

6,802,385 B2 *	10/2004	Pyntikov	B60L 11/007 180/220
6,927,524 B2 *	8/2005	Pyntikov	H02K 1/141 310/254.1
6,971,467 B2 *	12/2005	Katsaros	B62M 7/12 180/206.5
7,156,196 B2 *	1/2007	Katsaros	B60L 11/007 180/2.2

(Continued)

OTHER PUBLICATIONS

File History of U.S. Appl. No. 29/514,538, filed Jan. 13, 2015, priority date Dec. 4, 2009, entitled Hub for Motorized Wheel.

(Continued)

Primary Examiner — Stacia A Cadmus

(74) *Attorney, Agent, or Firm* — GTC Law Group PC & Affiliates

(57) **CLAIM**

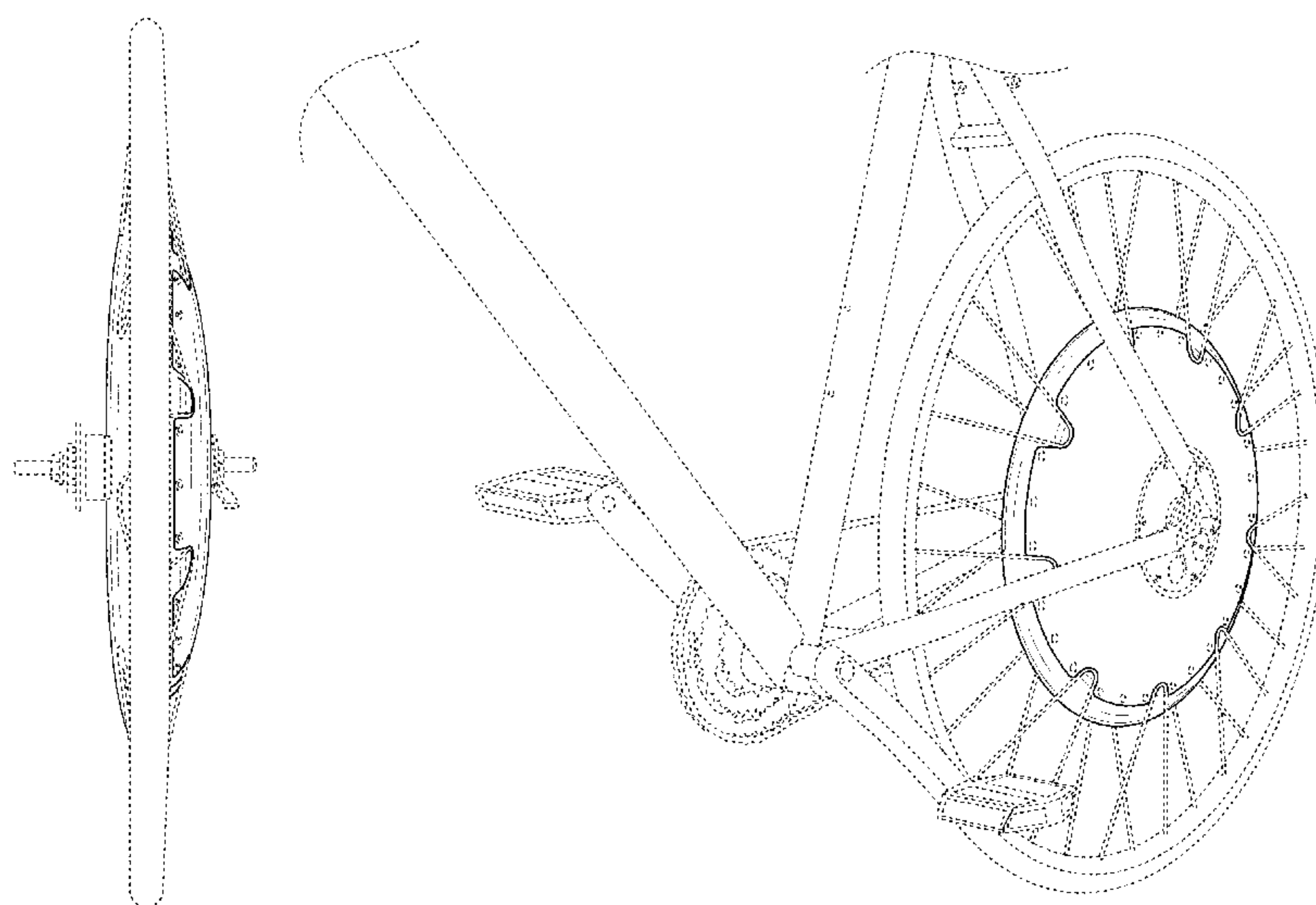
The ornamental design for a single speed motorized wheel hub, as shown and described.

DESCRIPTION

FIG. 1 is a perspective view of the left, drive side, of the single speed motorized wheel hub attached to a vehicle, with various portions including a gear shown in broken lines; FIG. 2 is a left, drive side, plan view of the single speed motorized wheel hub; FIG. 3 is a front view of the single speed motorized wheel hub; FIG. 4 is a right, non-drive, side plan view of the single speed motorized wheel hub; and, FIG. 5 is a perspective view of the right, non-drive, side of the single speed motorized wheel hub attached to the vehicle.

In the drawings, the broken lines depict environmental subject matter only and form no part of the claimed design.

1 Claim, 5 Drawing Sheets



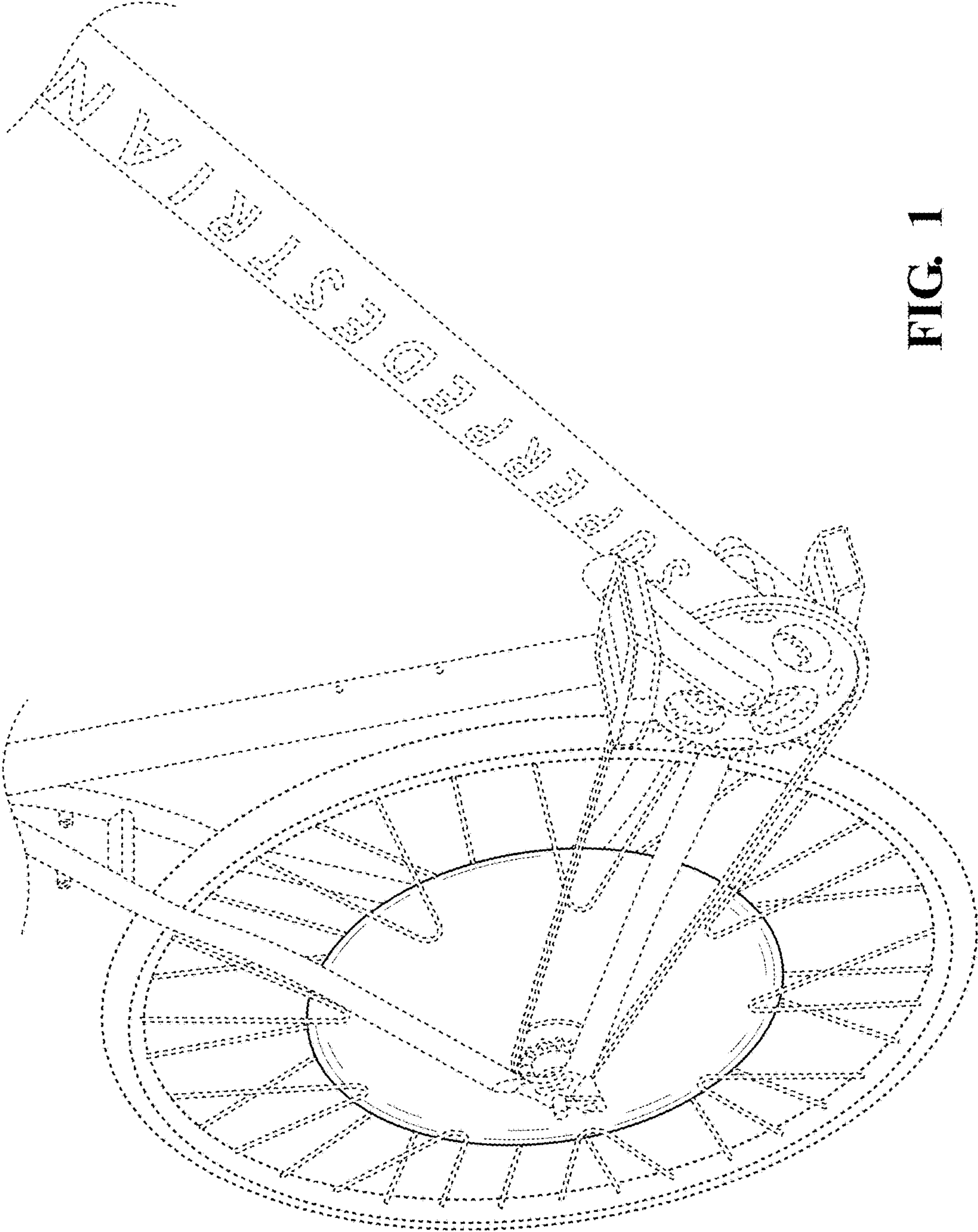


FIG. 1

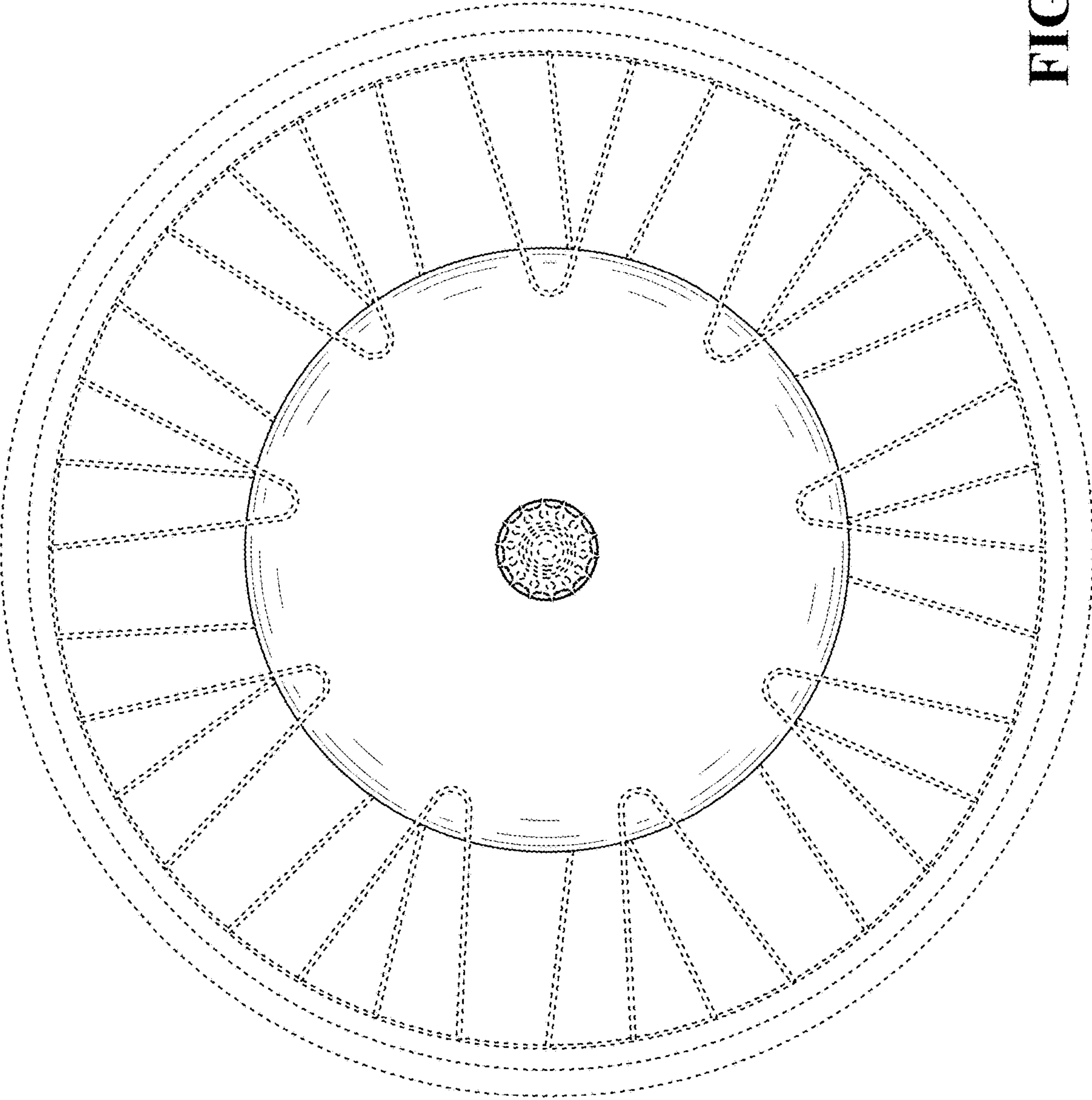


FIG. 2

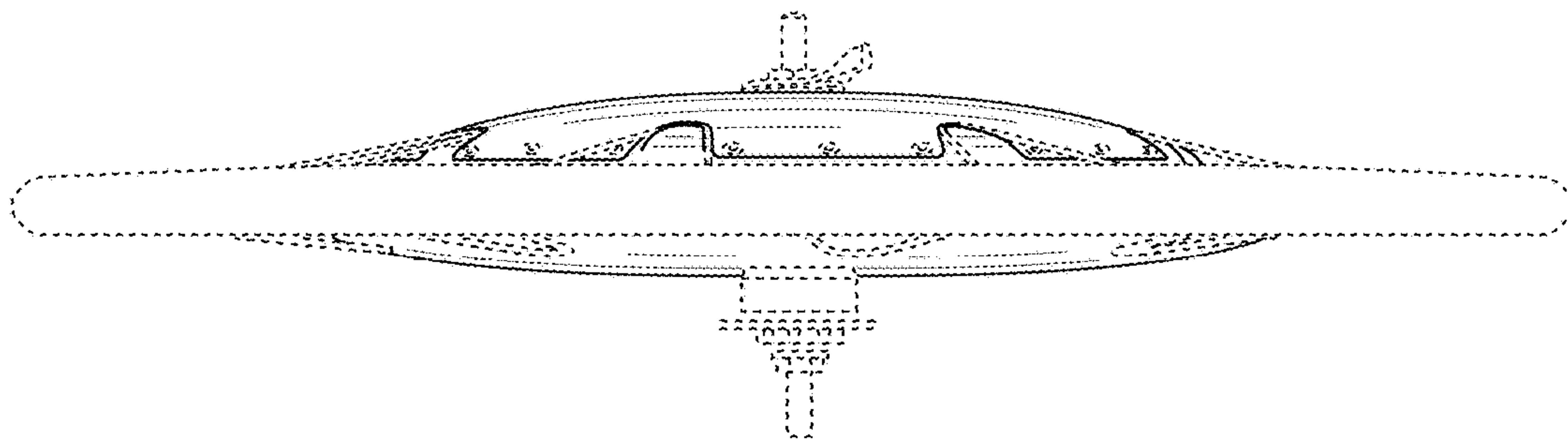


FIG. 3

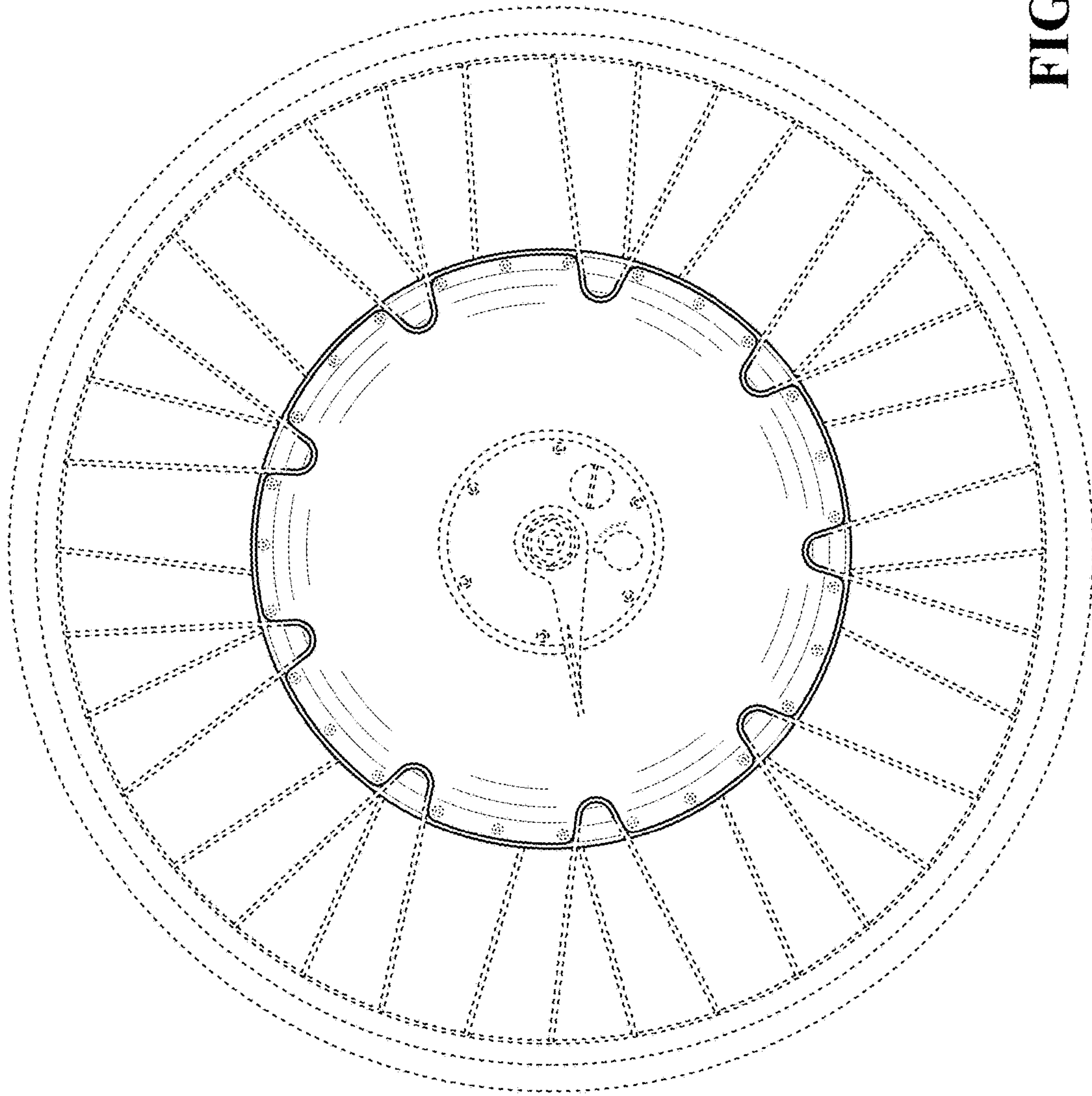


FIG. 4

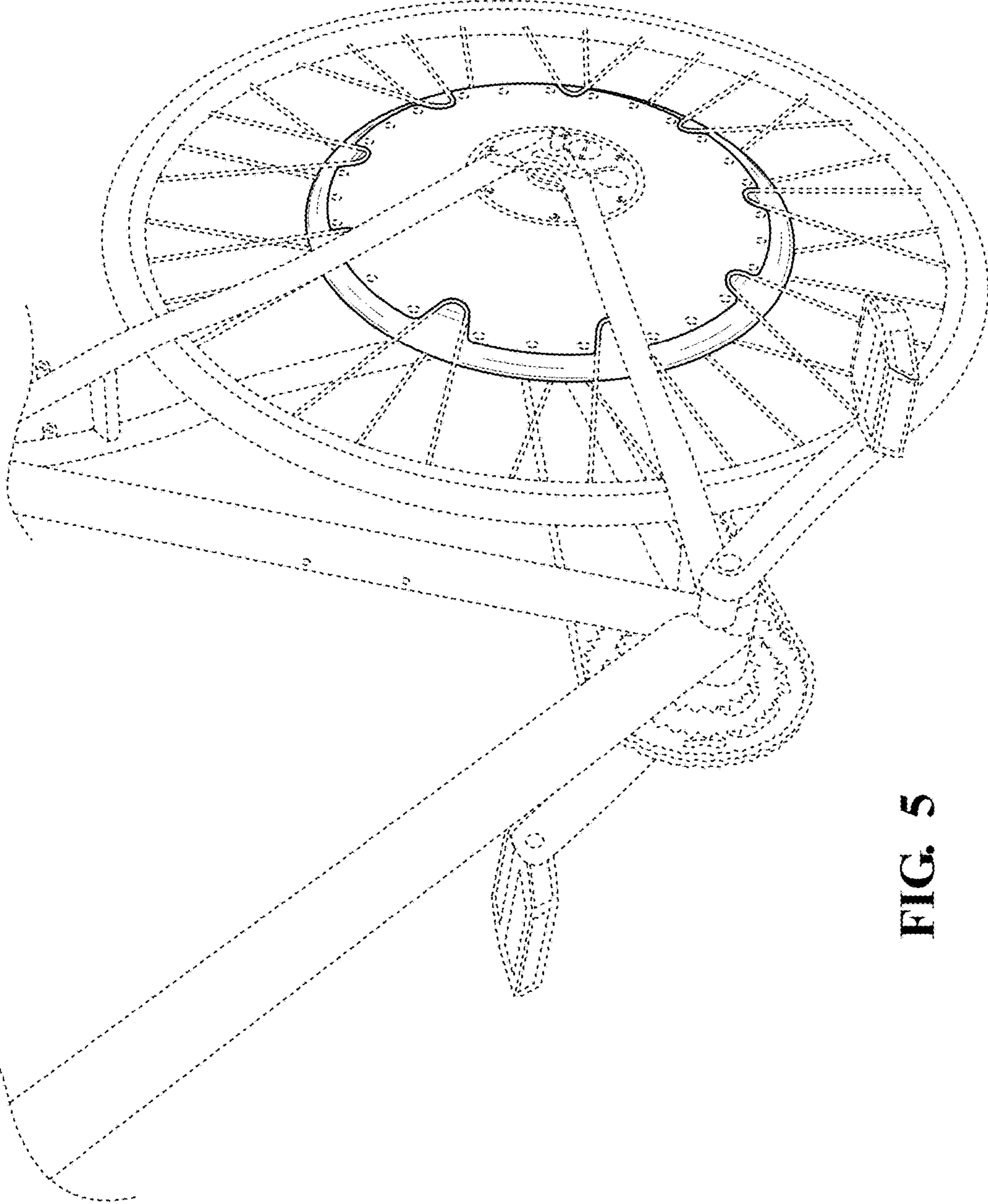


FIG. 5