



US00D830263S

(12) **United States Design Patent** (10) **Patent No.:** **US D830,263 S**
Mana et al. (45) **Date of Patent:** **** Oct. 9, 2018**

(54) **ELEMENT OF A VEHICLE BUMPER SYSTEM** 6,270,600 B1 8/2001 Wycech
6,609,740 B2 * 8/2003 Evans B60R 19/18
293/120

(71) Applicant: **SABIC Global Technologies B.V.**, 6,669,251 B2 12/2003 Trappe
Bergen op Zoom (NL) 6,672,635 B2 1/2004 Weissenborn et al.
6,814,379 B2 * 11/2004 Evans B60D 1/52
224/521

(72) Inventors: **Dinesh Mana**, Bangalore (IN); 6,817,638 B1 11/2004 Choi et al.
Taehoon Kim, Seoul (KR) 6,874,832 B2 * 4/2005 Evans B60R 19/18
293/120

(73) Assignee: **SABIC GLOBAL TECHNOLOGIES** 6,877,785 B2 4/2005 Evans et al.
B.V., Bergen op Zoom (NL) 7,044,515 B2 * 5/2006 Mooijman B60R 19/18
293/102

(**) Term: **15 Years** 7,172,227 B2 * 2/2007 Weissenborn B29C 44/08
293/121

(21) Appl. No.: **29/588,594** 7,399,014 B2 7/2008 Mellis et al.
(Continued)

(22) Filed: **Dec. 21, 2016**

Related U.S. Application Data

(62) Division of application No. 29/526,018, filed on May 5, 2015, now Pat. No. Des. 777,071, which is a division of application No. 29/473,154, filed on Nov. 19, 2013, now Pat. No. Des. 731,382, which is a division of application No. 29/423,493, filed on Jun. 1, 2012, now Pat. No. Des. 696,169.

(51) **LOC (11) Cl.** **12-16**

(52) **U.S. Cl.**
USPC **D12/196**

(58) **Field of Classification Search**
USPC D12/86, 90-92, 163, 169, 171, 172, 196,
D12/216
CPC B60R 19/03; B60R 19/18; B60R 19/34
See application file for complete search history.

(56) **References Cited**

U.S. PATENT DOCUMENTS

5,425,561 A * 6/1995 Morgan B60R 19/18
293/120
5,988,713 A * 11/1999 Okamura B60R 19/18
293/120

FOREIGN PATENT DOCUMENTS

KR 20030085563 11/2003
KR 100818722 B1 4/2008
KR 20080069199 A 7/2008

Primary Examiner — Darlington Ly

(74) *Attorney, Agent, or Firm* — Cantor Colburn LLP

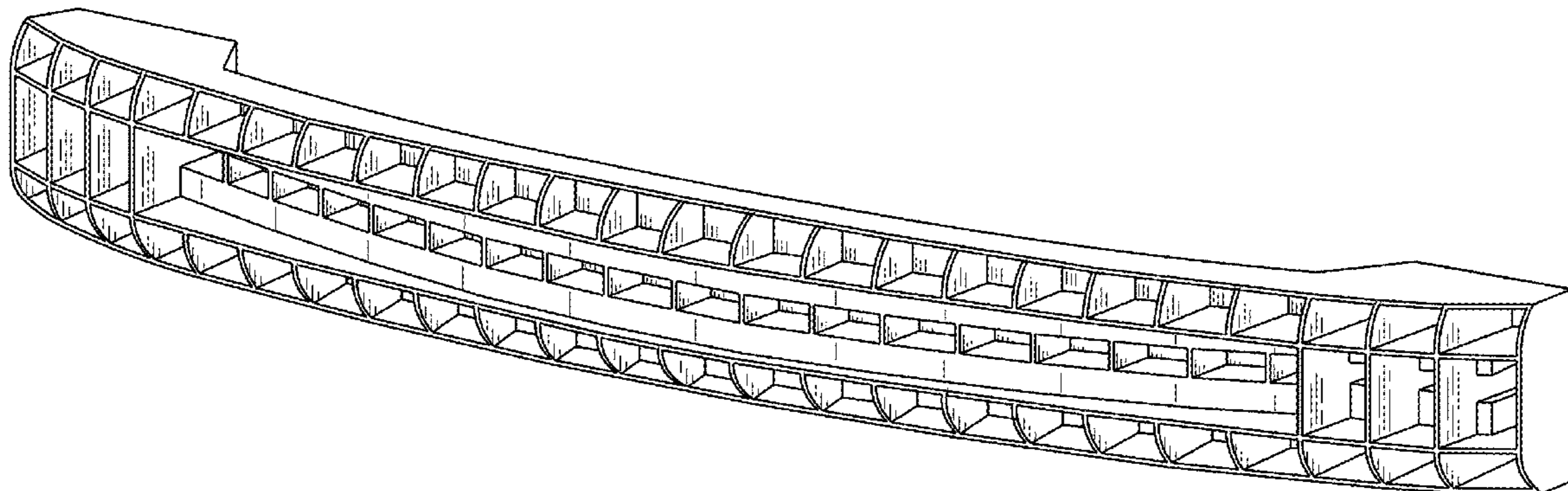
(57) **CLAIM**

The ornamental design for an element of a vehicle bumper system, as shown and described.

DESCRIPTION

FIG. 1 is a front perspective view of an element of a vehicle bumper system showing our new design; FIG. 2 is a rear perspective view thereof; FIG. 3 is a top plan view thereof; FIG. 4 is a bottom plan view thereof; FIG. 5 is a front elevation view thereof; FIG. 6 is a rear elevation view thereof; FIG. 7 is a right side elevation view thereof; and, FIG. 8 is a left side elevation view thereof.

1 Claim, 4 Drawing Sheets



(56)

References Cited

U.S. PATENT DOCUMENTS

7,516,993 B2 * 4/2009 Bouchez B60R 19/18
293/120
7,806,448 B2 * 10/2010 Allen B60R 19/18
293/120
7,866,716 B2 * 1/2011 Perucca B60R 19/18
293/102
7,959,197 B2 * 6/2011 Agrahari B60R 19/18
293/102
8,215,686 B2 * 7/2012 Czopek B29C 51/10
293/133
D670,217 S * 11/2012 Bobba B60R 19/18
D12/169
D670,218 S * 11/2012 Bobba B60R 19/18
D12/169
8,348,313 B2 * 1/2013 Chickmenahalli B60R 19/18
293/120
D757,620 S * 5/2016 Ahn D12/196

2003/0020291 A1 * 1/2003 Roussel B60R 19/18
293/120
2003/0132647 A1 7/2003 Cooper
2004/0174025 A1 * 9/2004 Converse B60R 19/18
293/133
2004/0262931 A1 * 12/2004 Roussel B60R 19/18
293/120
2006/0001277 A1 * 1/2006 Mellis B60R 19/18
293/121
2007/0200376 A1 * 8/2007 Jaarda B60R 19/18
293/120
2007/0257497 A1 * 11/2007 Heatherington B60R 19/18
293/120
2012/0104775 A1 * 5/2012 Marur B60R 19/18
293/120
2012/0104778 A1 * 5/2012 Mana B60R 19/18
293/133
2012/0153643 A1 * 6/2012 Mana B60R 19/12
293/120

* cited by examiner

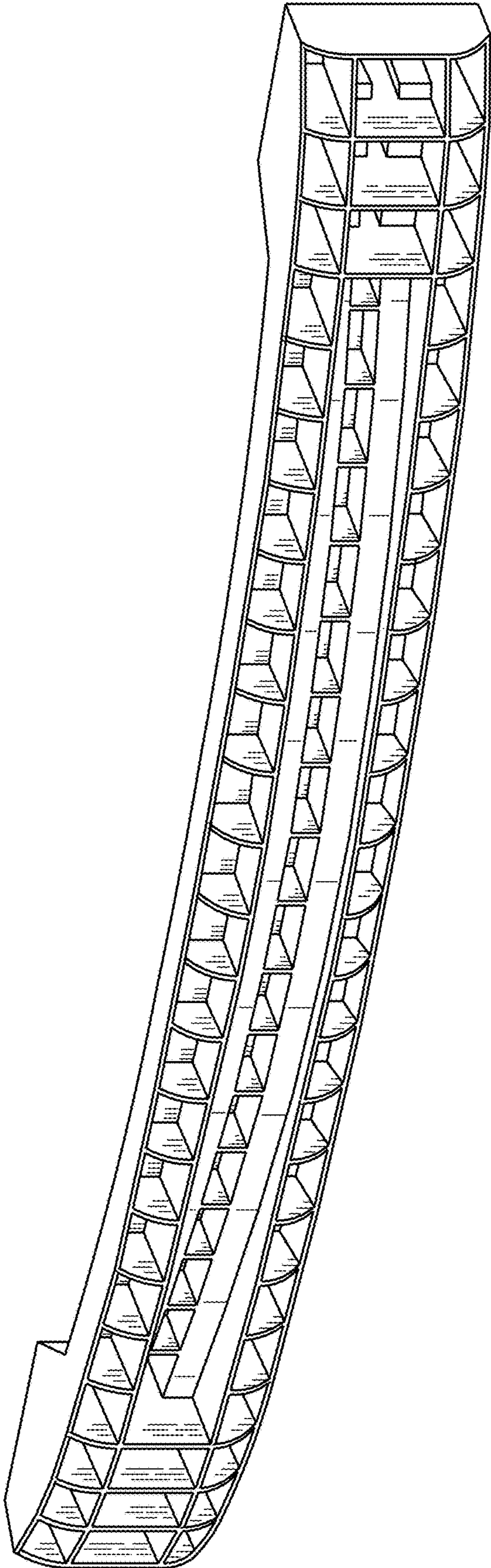


Fig. 1

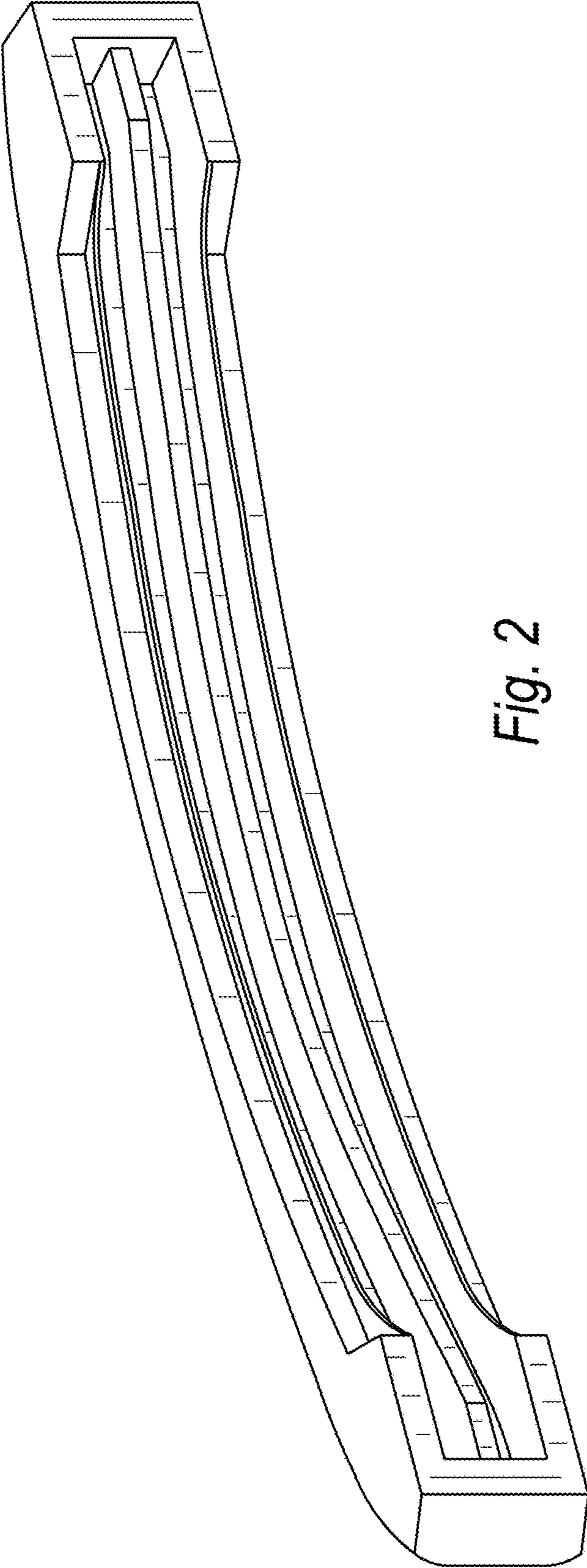


Fig. 2

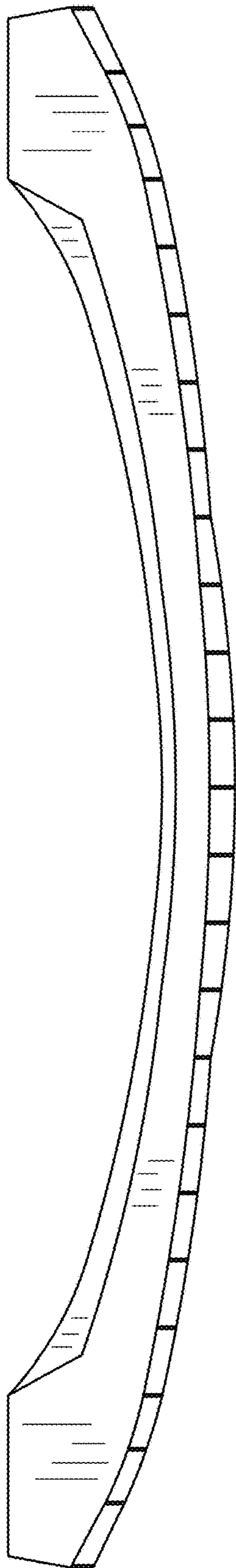


Fig. 3

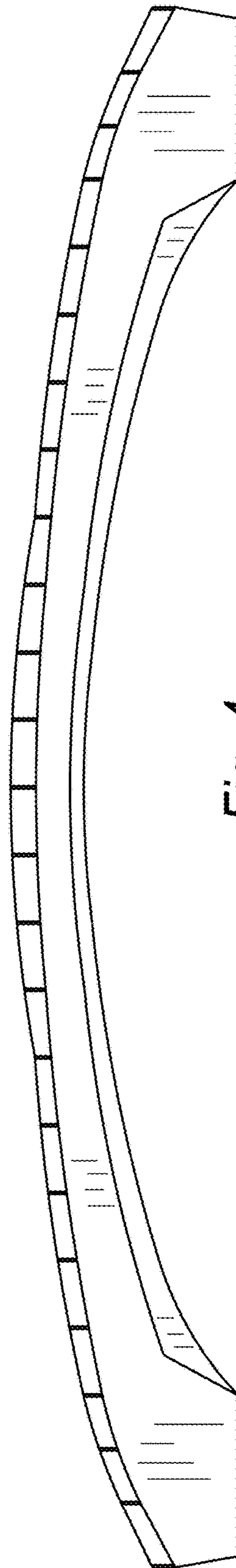


Fig. 4

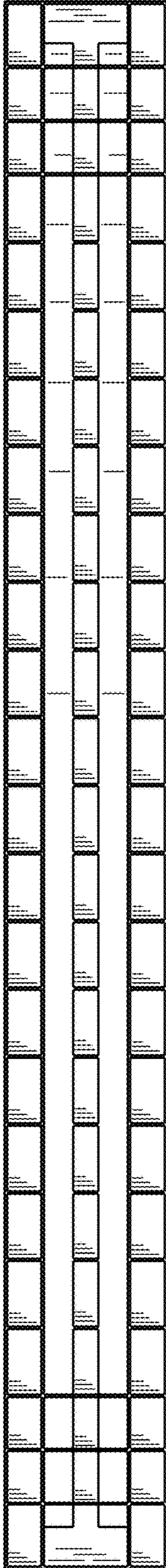


Fig. 5

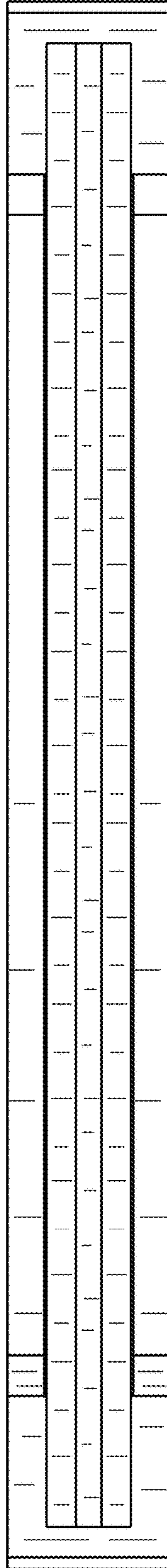


Fig. 6

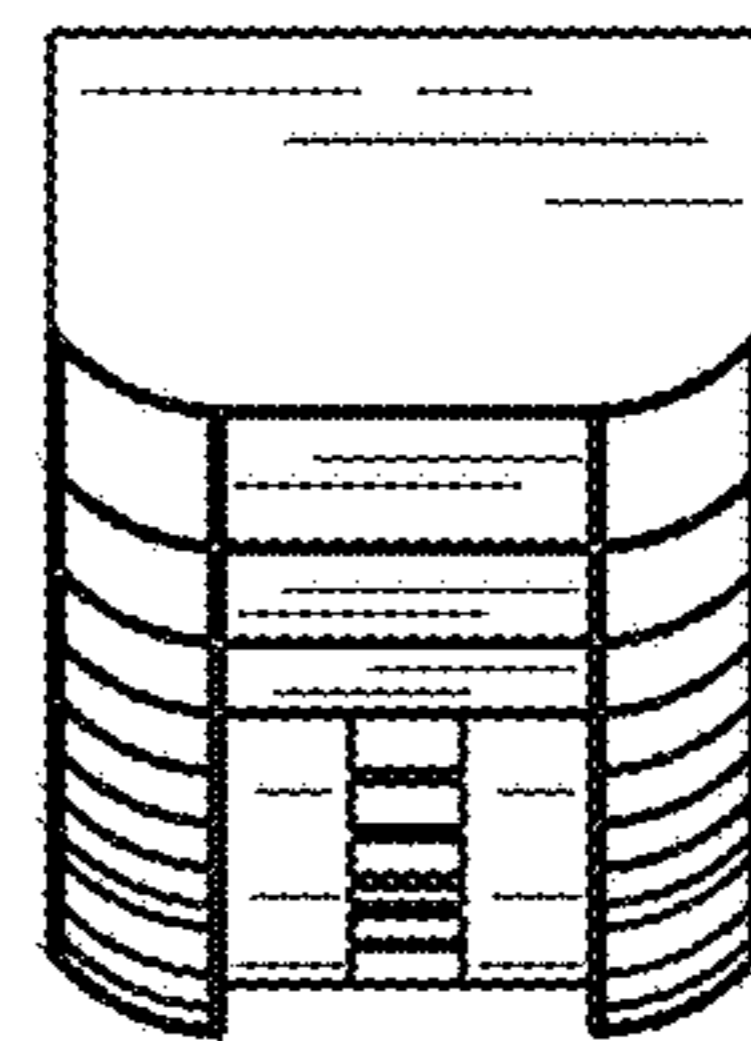


Fig. 7

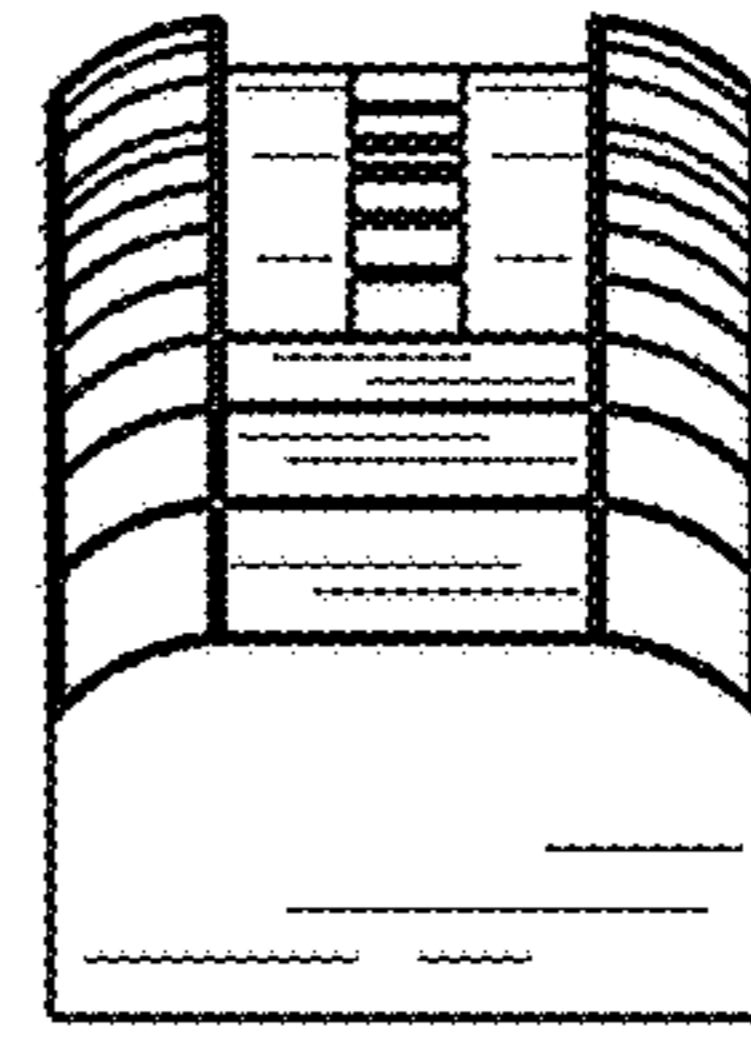


Fig. 8