



US00D830258S

(12) **United States Design Patent** (10) **Patent No.:** **US D830,258 S**
Moffett et al. (45) **Date of Patent:** **** Oct. 9, 2018**

(54) **VEHICLE HOOD SCOOP**
(71) Applicant: **GM GLOBAL TECHNOLOGY OPERATIONS LLC**, Detroit, MI (US)
(72) Inventors: **Tyler L. H. Moffett**, Detroit, MI (US); **Robert B. McMahan**, Bloomfield Hills, MI (US)
(73) Assignee: **GM Global Technology Operations LLC**, Detroit, MI (US)
(**) Term: **15 Years**

D600,595 S 9/2009 Nakamura et al.
D601,925 S 10/2009 O'Donnell
D603,755 S 11/2009 Peters
D604,203 S 11/2009 O'Donnell
D605,082 S 12/2009 Munson
D605,083 S 12/2009 Manoogian, II et al.
D605,977 S 12/2009 Zipfel et al.
D605,978 S 12/2009 Wolff et al.
D608,249 S 1/2010 Peters
D608,690 S 1/2010 Folden et al.
D608,691 S 1/2010 Zak, Jr. et al.
D609,608 S 2/2010 Boniface et al.
D611,387 S 3/2010 Thompson et al.
D611,879 S 3/2010 Kim et al.
D612,297 S 3/2010 Peters et al.

(Continued)

(21) Appl. No.: **29/584,699**
(22) Filed: **Nov. 16, 2016**
(51) **LOC (11) Cl.** **12-08**
(52) **U.S. Cl.**
USPC **D12/181**
(58) **Field of Classification Search**
USPC D12/414, 415, 416, 417, 418, 419, 420,
D12/421, 422, 423, 424, 425, 426, 190,
D12/192, 195, 191, 106, 345, 96, 99, 400,
D12/181, 184, 185, 170, 169, 92, 173,
D12/196
CPC .. B60R 7/04; B60R 7/18; B60R 19/52; B62D
25/16; B62D 25/18; B62D 25/161; B62D
25/168; B62D 25/182; B62D 25/184
See application file for complete search history.

(56) **References Cited**
U.S. PATENT DOCUMENTS
D375,068 S * 10/1996 Lund D12/183
D528,482 S * 9/2006 Hamburger D12/181
D548,152 S * 8/2007 Chiang D12/173
D568,797 S * 5/2008 Elwell D12/181
D570,742 S 6/2008 Takagi et al.
D575,207 S * 8/2008 Shelby D12/173
D592,105 S 5/2009 Dean et al.
D597,447 S 8/2009 Folden

OTHER PUBLICATIONS

Motortrend.com. "2017 Chevrolet Colorado ZR2 First Drive: The Best of Both Worlds." Published May 15, 2017. Retrieved Jul. 18, 2017. (<http://www.motortrend.com/cars/chevrolet/colorado/2017/2017chevroletcoloradozr2firstdrivebestworlds/>).*

Primary Examiner — Karen S Acker
Assistant Examiner — Jerry Shiuan-Hua Hsu
(74) *Attorney, Agent, or Firm* — Reising Ethington P.C.

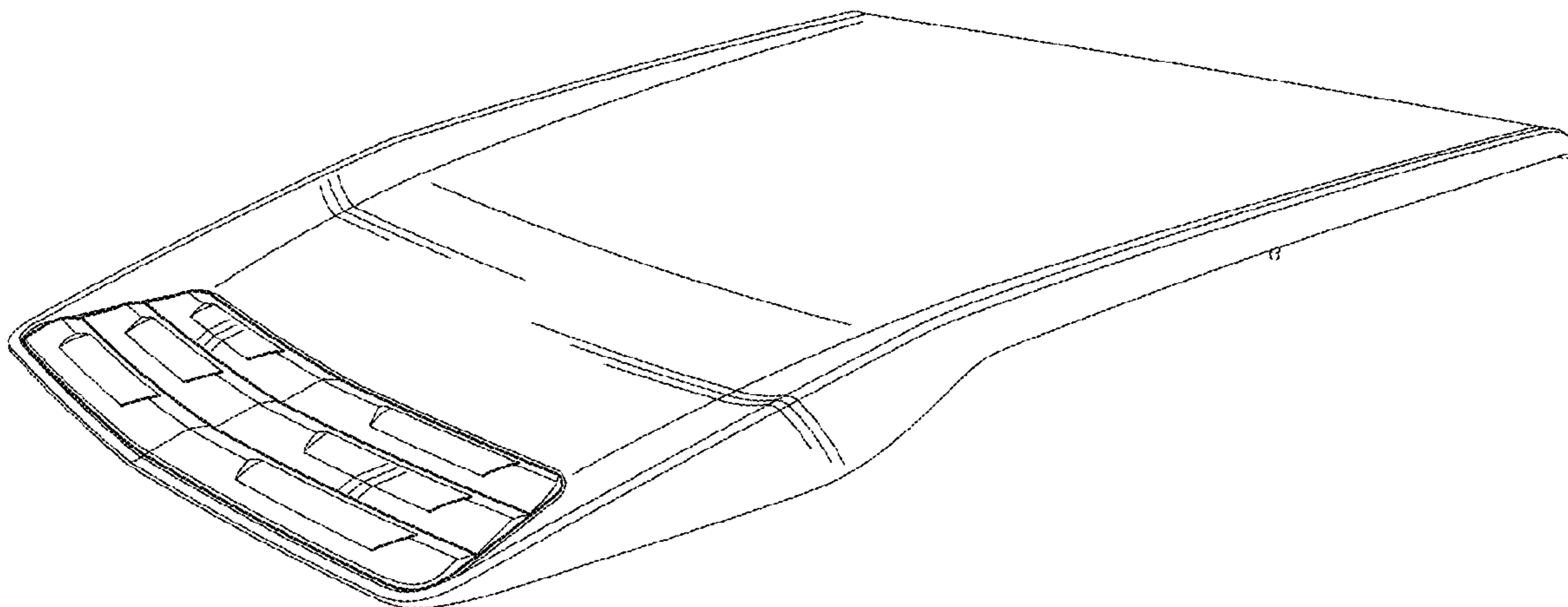
(57) **CLAIM**

The ornamental design for a vehicle hood scoop, as shown and described.

DESCRIPTION

FIG. 1 is a perspective view of the vehicle hood scoop; FIG. 2 is a front view thereof; FIG. 3 is a left side view thereof (where the right side view is substantially a mirror image of the left side view); and, FIG. 4 is a top view thereof. The broken lines shown in the drawings depict portions of the vehicle hood scoop that form no part of the claimed design.

1 Claim, 2 Drawing Sheets



(56)

References Cited

U.S. PATENT DOCUMENTS

D613,645 S 4/2010 Song et al.
 D615,458 S 5/2010 Thompson et al.
 D618,595 S 6/2010 Ware et al.
 D623,090 S 9/2010 Cox et al.
 D627,262 S 11/2010 Ikeda et al.
 D635,488 S 4/2011 Phipps
 D644,147 S 8/2011 Suh et al.
 D644,567 S 9/2011 Kozub
 D657,718 S 4/2012 Zipfel et al.
 D659,052 S 5/2012 Ware et al.
 D659,053 S 5/2012 Ware et al.
 8,181,728 B2* 5/2012 Hartland B60K 11/08
 180/68.1
 D666,285 S * 8/2012 Schrad D23/387
 D668,182 S 10/2012 Franco et al.
 D668,183 S 10/2012 Smart
 D669,407 S * 10/2012 Varga D12/196
 D678,820 S 3/2013 Son et al.
 D678,821 S 3/2013 Ikeda et al.
 D680,909 S 4/2013 Munson et al.
 D680,910 S 4/2013 David
 D684,899 S 6/2013 Baker
 D686,536 S 7/2013 McCabe et al.
 D692,798 S 11/2013 Thurber
 D692,799 S 11/2013 Smith et al.
 D696,157 S 12/2013 Loeb
 D696,165 S * 12/2013 Campbell D12/163
 D699,629 S 2/2014 Ikeda et al.
 D700,871 S 3/2014 O'Donnell et al.
 D703,103 S 4/2014 Lee
 D704,103 S 5/2014 Mack et al.
 D705,132 S 5/2014 Ware et al.
 D705,699 S 5/2014 Ware et al.
 D710,284 S * 8/2014 Larson D12/196
 D713,298 S 9/2014 Dyson
 D713,764 S 9/2014 Ferlazzo et al.
 D716,696 S 11/2014 Thole et al.
 D716,706 S 11/2014 Thole et al.
 D716,709 S 11/2014 Thole et al.
 D717,696 S 11/2014 Thole et al.
 D718,189 S 11/2014 Krieg et al.
 D718,683 S 12/2014 Thole et al.
 D722,282 S 2/2015 Loeb
 D722,533 S 2/2015 Thole et al.
 D722,534 S 2/2015 Munson et al.
 D724,510 S 3/2015 McMahan et al.
 D725,001 S 3/2015 McMahan et al.
 D726,080 S * 4/2015 Mays D12/173
 D726,591 S 4/2015 Jacob
 D730,776 S 6/2015 Smart
 D730,783 S 6/2015 Henriques et al.
 D732,427 S 6/2015 Loeb
 D732,429 S 6/2015 Loeb
 D732,430 S 6/2015 Loeb
 D732,431 S 6/2015 Loeb
 D732,432 S 6/2015 Aengenheyster
 D732,433 S 6/2015 Aengenheyster
 D732,435 S 6/2015 Mackay

D733,002 S 6/2015 Loeb
 D735,611 S 8/2015 Aengenheyster
 D735,627 S 8/2015 Smith
 D736,451 S 8/2015 Smith
 D739,306 S 9/2015 McMahan et al.
 D739,317 S 9/2015 McMahan et al.
 D741,223 S 10/2015 Kim et al.
 D743,309 S 11/2015 Thole et al.
 D743,313 S 11/2015 Smith et al.
 D743,314 S 11/2015 Thole et al.
 D743,857 S 11/2015 McMahan et al.
 D744,158 S 11/2015 Willett et al.
 D745,086 S 12/2015 Finos et al.
 D745,719 S 12/2015 Boniface et al.
 D745,725 S 12/2015 McMahan et al.
 D745,726 S 12/2015 McMahan et al.
 D745,837 S 12/2015 Smith et al.
 D746,726 S 1/2016 Smith et al.
 D746,727 S 1/2016 Smith et al.
 D746,728 S 1/2016 Smith et al.
 D746,729 S 1/2016 Boniface et al.
 D746,730 S 1/2016 Kim et al.
 D747,514 S 1/2016 McMahan et al.
 D747,515 S 1/2016 McMahan et al.
 D747,819 S 1/2016 Thole et al.
 D749,021 S 2/2016 Boniface et al.
 D749,026 S 2/2016 Smith et al.
 D749,027 S 2/2016 McMahan et al.
 D749,246 S 2/2016 Thole et al.
 D749,249 S 2/2016 Thole et al.
 D749,250 S 2/2016 Thole et al.
 D749,985 S 2/2016 Kozub et al.
 D749,997 S 2/2016 McMahan et al.
 D750,001 S 2/2016 Thole et al.
 D753,032 S 4/2016 Smith et al.
 D753,033 S 4/2016 Thole et al.
 D753,034 S 4/2016 Thole et al.
 D753,035 S 4/2016 Boniface et al.
 D753,559 S 4/2016 McMahan et al.
 D753,560 S 4/2016 McMahan et al.
 D753,567 S 4/2016 Boniface et al.
 D754,044 S * 4/2016 Scheinhuette D12/196
 D754,571 S 4/2016 Boniface et al.
 D754,572 S 4/2016 McMahan et al.
 D755,088 S 5/2016 McMahan et al.
 D756,869 S 5/2016 McMahan et al.
 D758,257 S * 6/2016 Platto D12/163
 D758,271 S 6/2016 McMahan et al.
 D767,449 S 9/2016 Pevovar et al.
 D767,450 S 9/2016 Lee et al.
 D767,451 S 9/2016 Kozub et al.
 D767,454 S 9/2016 McMahan et al.
 D767,458 S 9/2016 Kim
 D767,459 S 9/2016 Kim
 D767,460 S 9/2016 Kozub et al.
 D767,461 S 9/2016 Kozub et al.
 D771,528 S 11/2016 Smith et al.
 D771,529 S 11/2016 Thole et al.
 D771,532 S 11/2016 Kapitonov
 D771,533 S 11/2016 Kapitonov

* cited by examiner

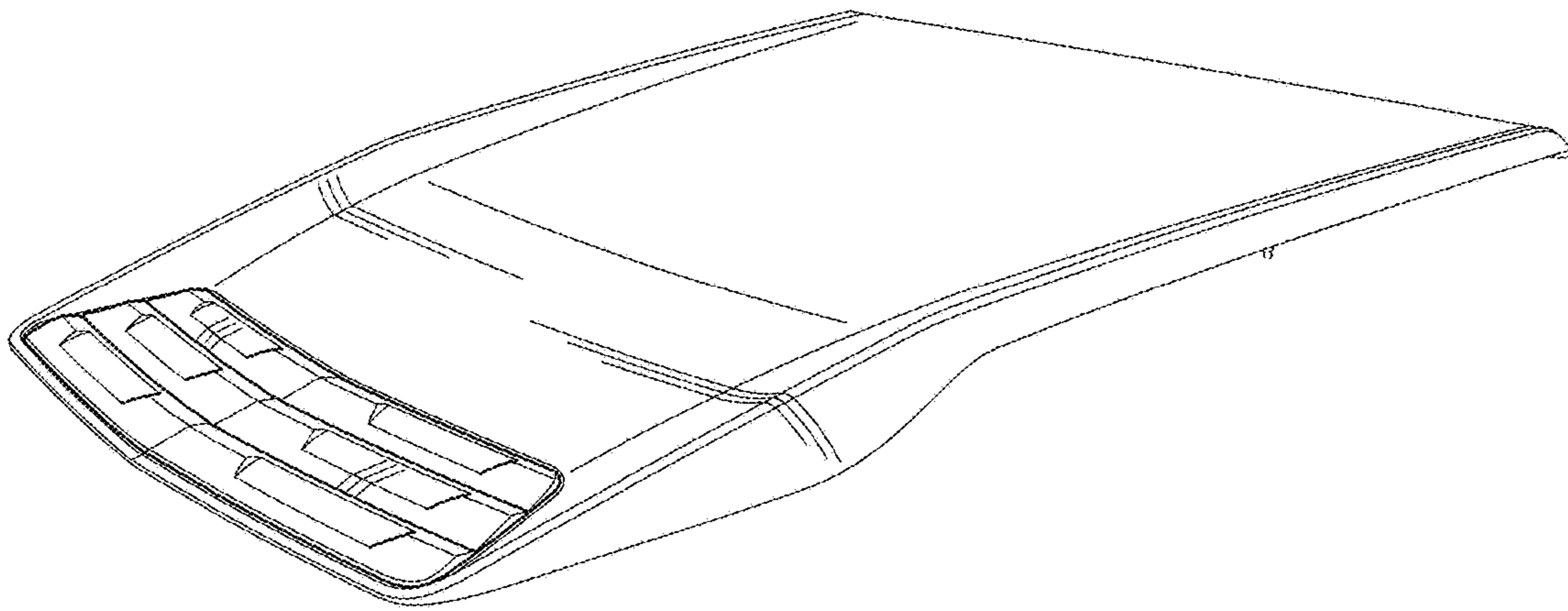


FIG. 1

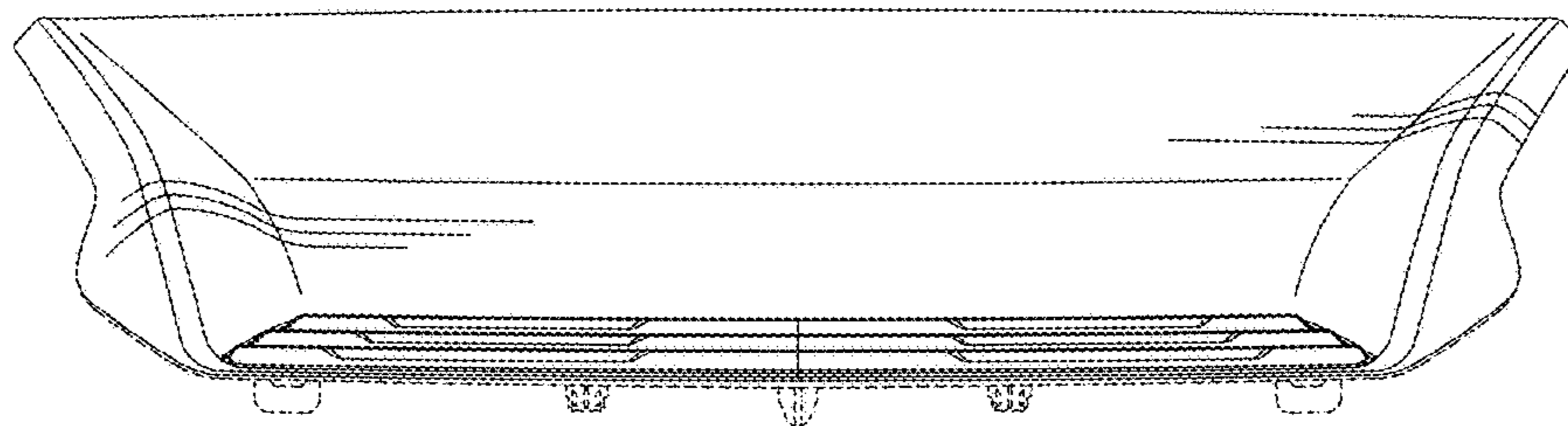


FIG. 2

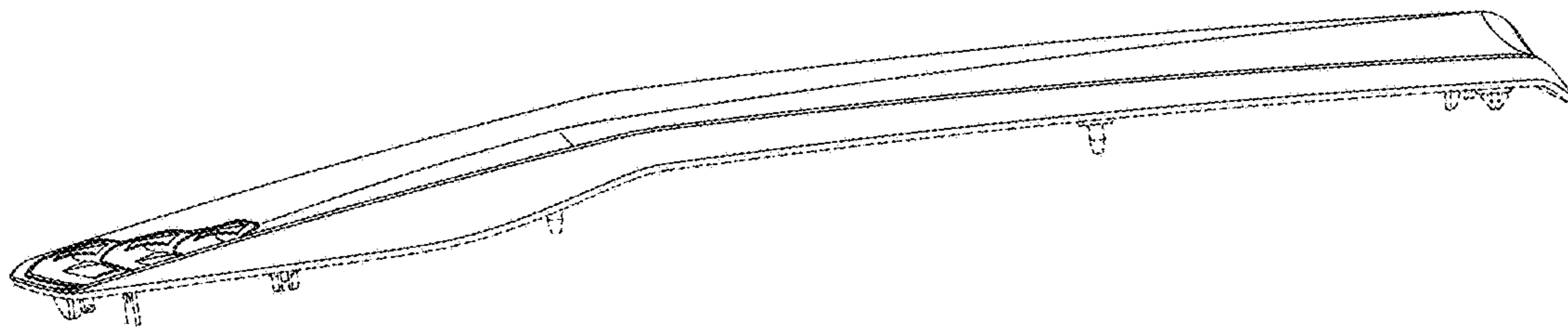


FIG. 3

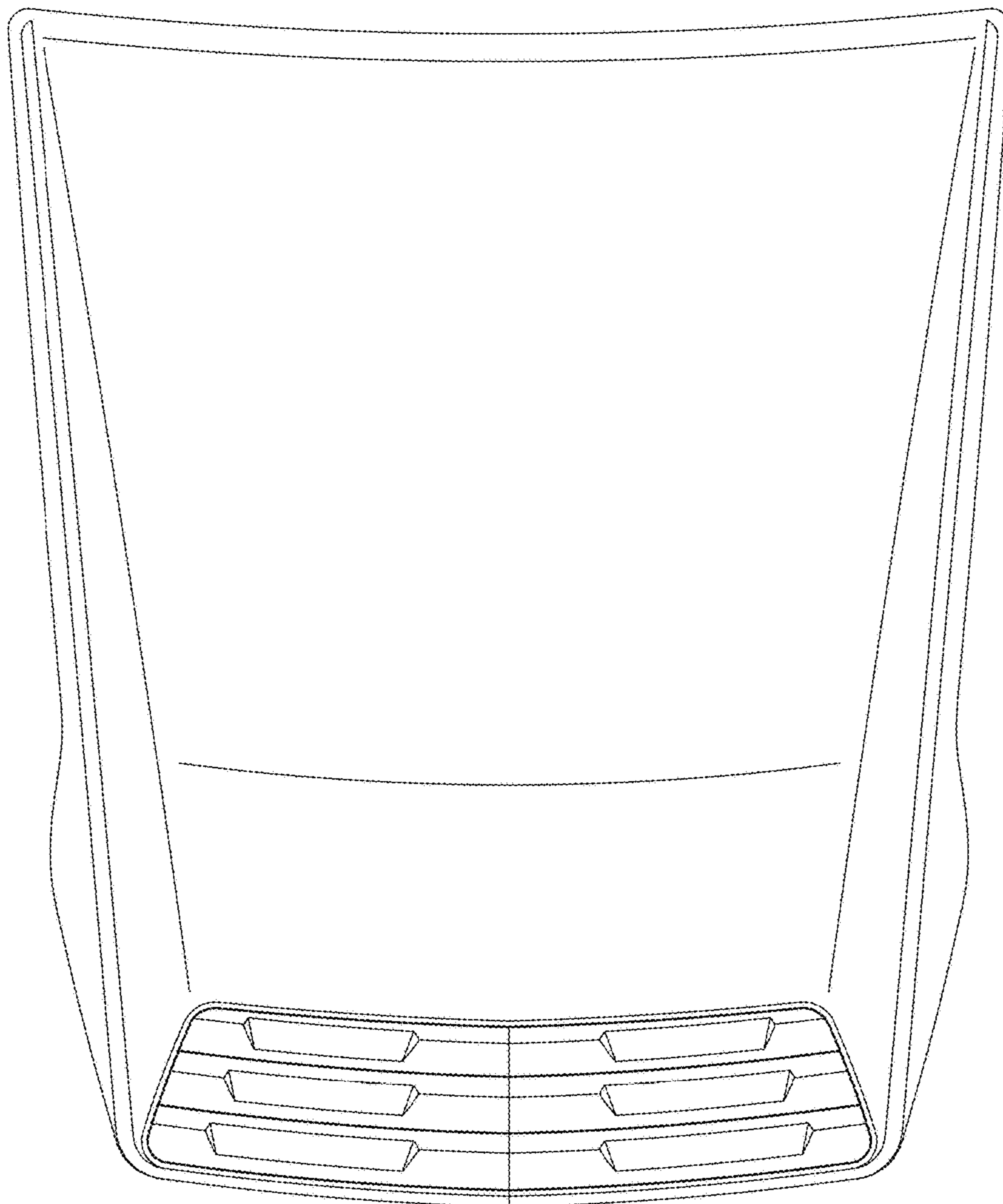


FIG. 4