



US00D830257S

(12) **United States Design Patent** (10) **Patent No.:** **US D830,257 S**
Kittrell, Jr. (45) **Date of Patent:** **** Oct. 9, 2018**

(54) **BRAKE DISK FOR A MOTORCYCLE**

(71) Applicant: **Lyndall P Kittrell, Jr.**, Orange, CA
(US)

(72) Inventor: **Lyndall P Kittrell, Jr.**, Orange, CA
(US)

(**) Term: **15 Years**

(21) Appl. No.: **29/600,641**

(22) Filed: **Apr. 13, 2017**

(51) **LOC (11) Cl.** **12-16**

(52) **U.S. Cl.**
USPC **D12/180**

(58) **Field of Classification Search**
USPC D12/123, 179, 180; D8/42, 356;
D21/561; D15/5; D23/354
CPC B62L 3/023; F16D 65/12
See application file for complete search history.

(56) **References Cited**

U.S. PATENT DOCUMENTS

D352,020 S	*	11/1994	Powers	D12/180
D381,611 S	*	7/1997	Ohata	D12/180
D416,526 S	*	11/1999	Hsu	D12/180
D446,177 S	*	8/2001	Ueno	D12/180
D521,428 S	*	5/2006	Campbell	D12/180
D541,717 S	*	5/2007	Chen	D12/180
D581,329 S	*	11/2008	Ohigashi	D12/180
D585,345 S	*	1/2009	Maier	D12/180
D784,873 S	*	4/2017	Kobayashi	D12/180

2005/0082125	A1*	4/2005	Gehrs	F16D 65/12 188/218 XL
2006/0185945	A1*	8/2006	Greppi	F16D 65/12 188/218 XL
2007/0102247	A1*	5/2007	Takenaka	F16D 65/12 188/26

FOREIGN PATENT DOCUMENTS

WO WO-2005123491 A1 * 12/2005 B62L 3/023

* cited by examiner

Primary Examiner — Karen S Acker

Assistant Examiner — Jerry Shiuian-Hua Hsu

(74) *Attorney, Agent, or Firm* — Morland C. Fischer

(57) **CLAIM**

The ornamental design for a brake disk for a motorcycle, as shown and described.

DESCRIPTION

FIG. 1 is a perspective view showing the front, top and left side of a brake disk for a motorcycle which forms my new design;

FIG. 2 is a perspective view showing the rear, top and right side thereof;

FIG. 3 is a top plan view thereof;

FIG. 4 is a front elevational view thereof;

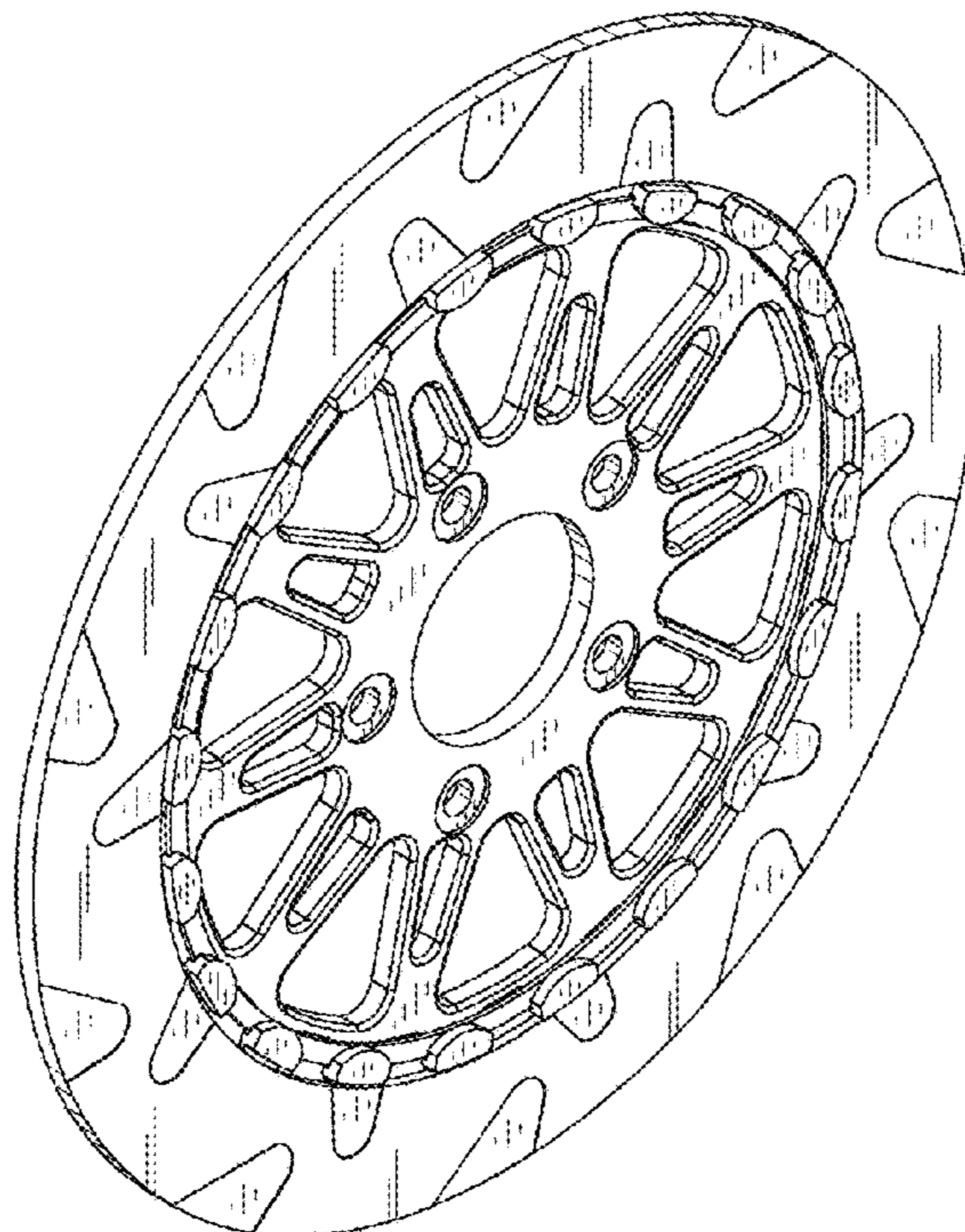
FIG. 5 is a right side elevational view thereof;

FIG. 6 is a rear elevational view thereof;

FIG. 7 is a left side elevational view thereof; and,

FIG. 8 is a bottom plan view thereof.

1 Claim, 3 Drawing Sheets



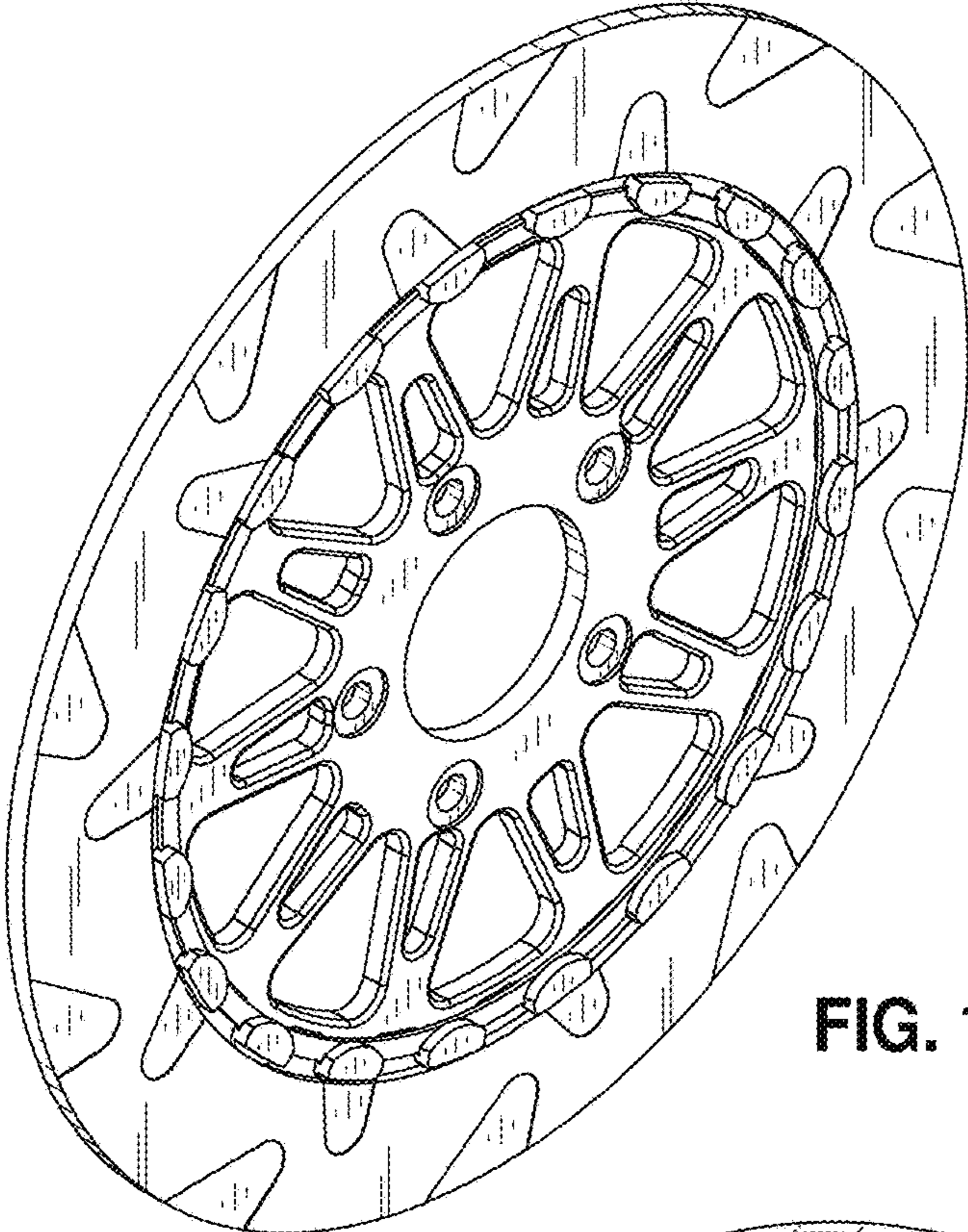


FIG. 1

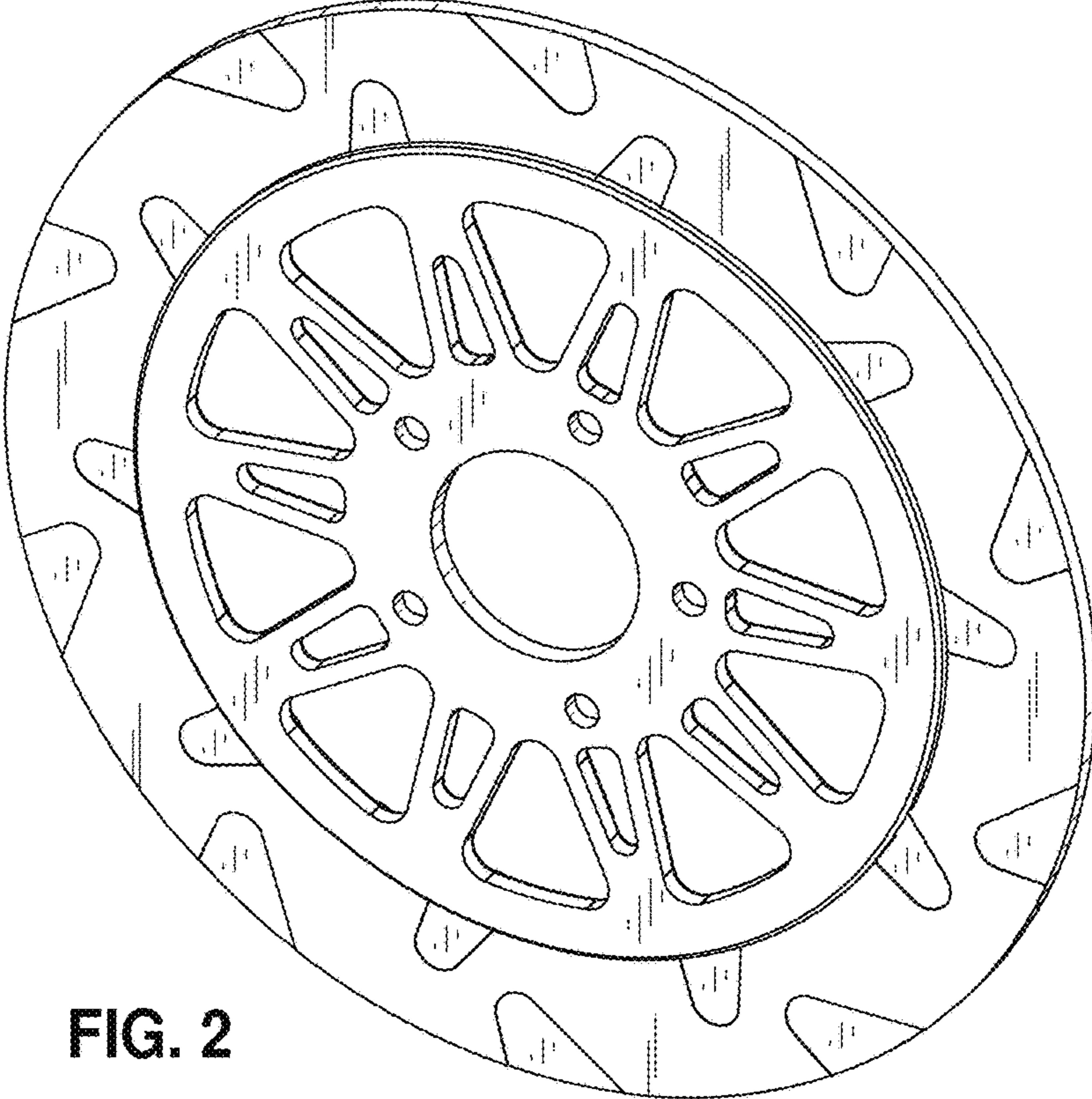


FIG. 2

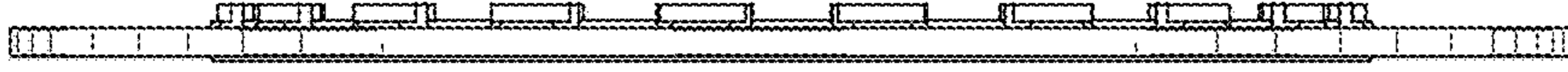


FIG. 3

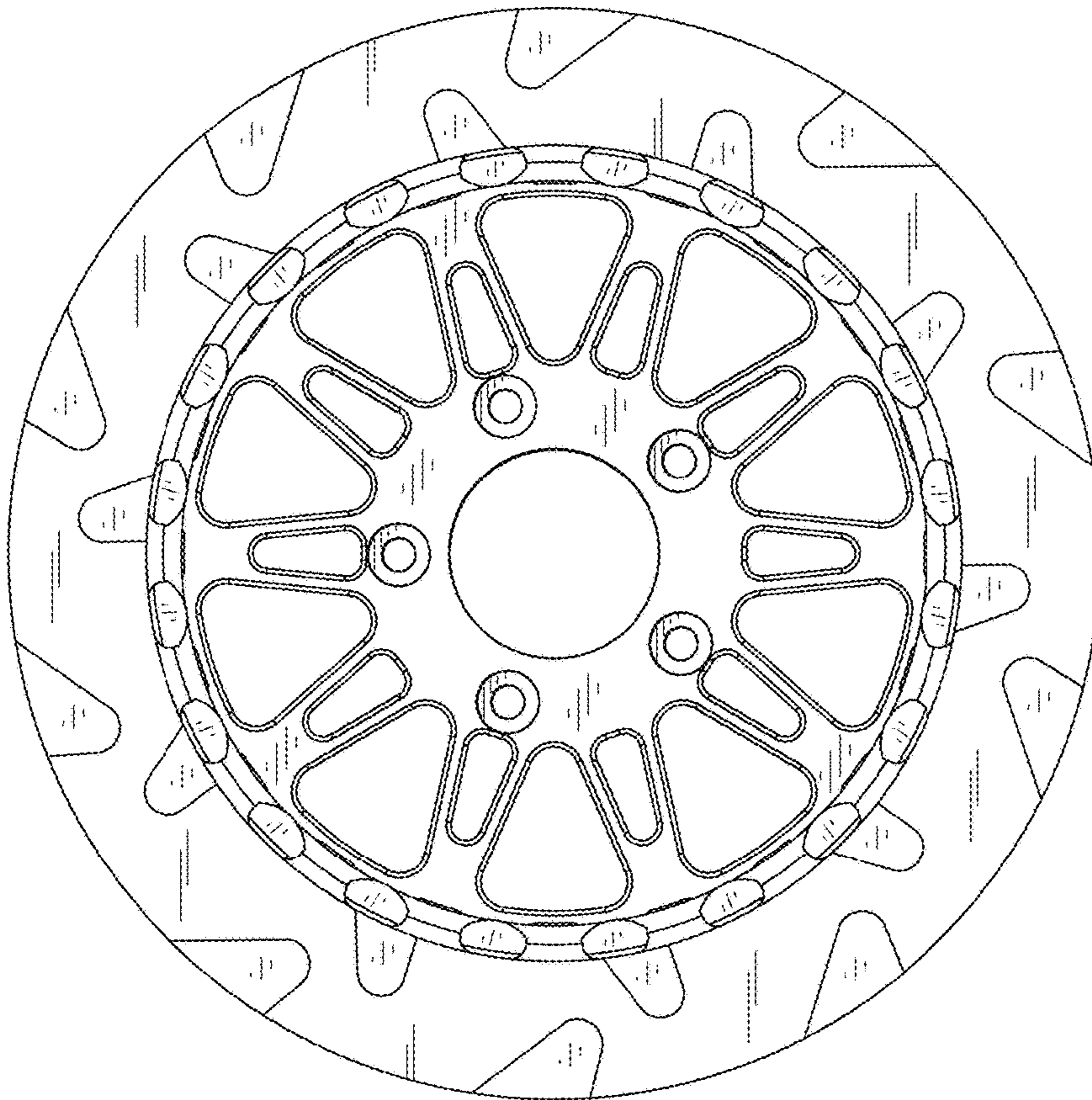


FIG. 4

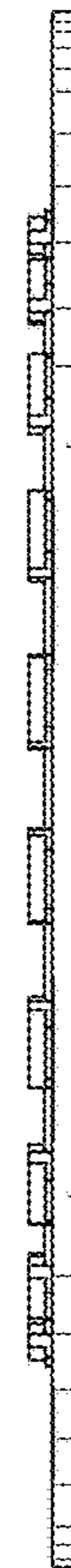


FIG. 5

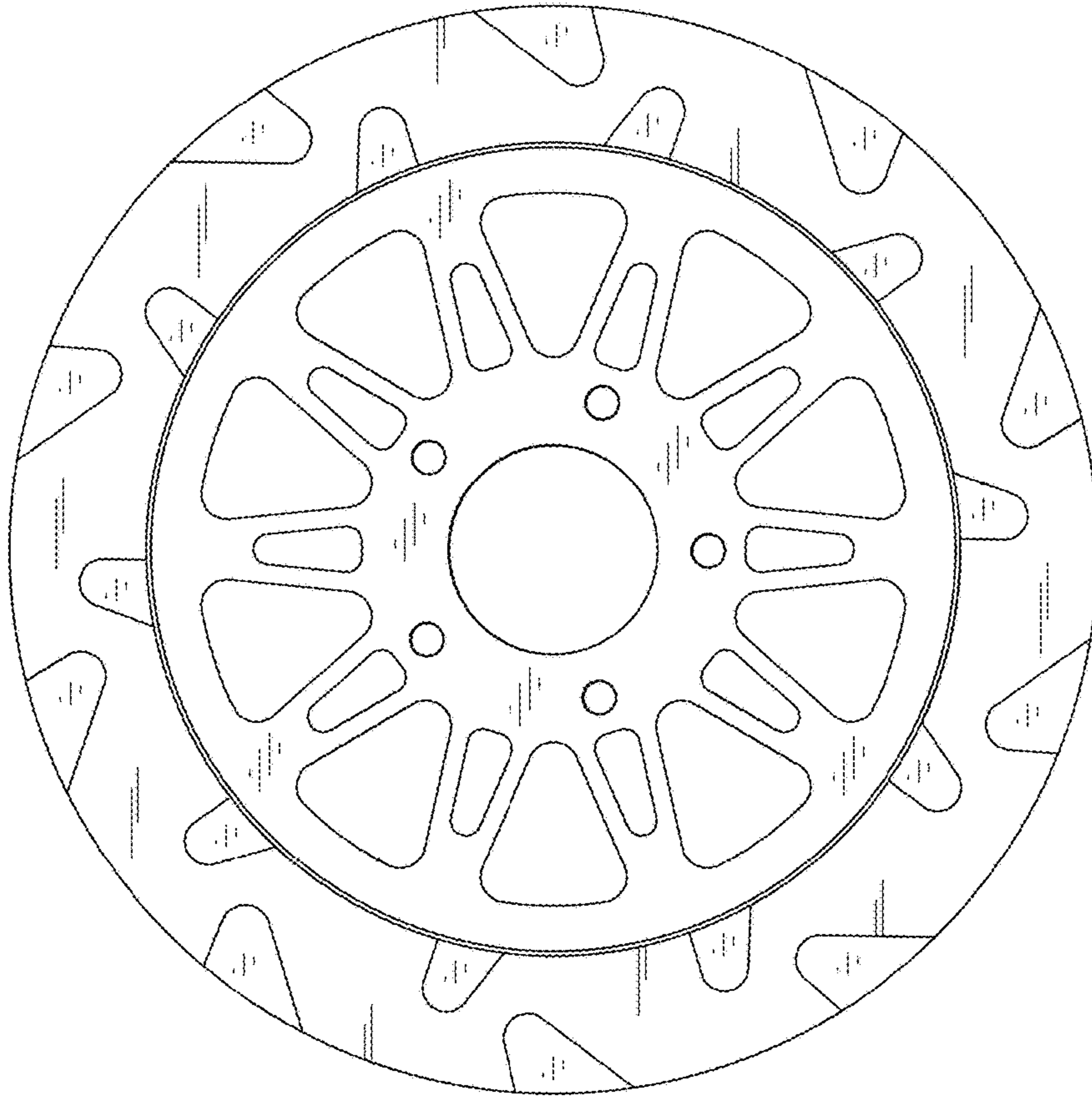


FIG. 6

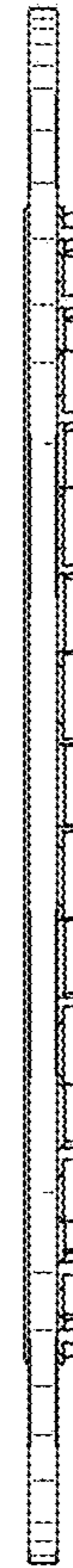


FIG. 7

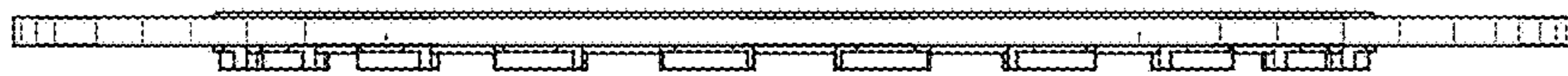


FIG. 8