



US00D830256S

(12) **United States Design Patent** (10) **Patent No.:** **US D830,256 S**  
**Kittrell, Jr.** (45) **Date of Patent:** **\*\* Oct. 9, 2018**

(54) **BRAKE DISK FOR A MOTORCYCLE**  
(71) Applicant: **Lyndall P Kittrell, Jr.**, Orange, CA  
(US)  
(72) Inventor: **Lyndall P Kittrell, Jr.**, Orange, CA  
(US)

2005/0082125 A1\* 4/2005 Gehrs ..... F16D 65/12  
188/218 XL  
2006/0185945 A1\* 8/2006 Greppi ..... F16D 65/12  
188/218 XL  
2007/0102247 A1\* 5/2007 Takenaka ..... F16D 65/12  
188/26

(\*\*) Term: **15 Years**

FOREIGN PATENT DOCUMENTS  
WO WO-2005123491 A1 \* 12/2005 ..... B62L 3/023  
\* cited by examiner

(21) Appl. No.: **29/600,639**

(22) Filed: **Apr. 13, 2017**

*Primary Examiner* — Karen S Acker  
*Assistant Examiner* — Jerry Shiuhan-Hua Hsu  
(74) *Attorney, Agent, or Firm* — Morland C. Fischer

(51) **LOC (11) Cl.** ..... **12-16**

(52) **U.S. Cl.**  
USPC ..... **D12/180**

(57) **CLAIM**

The ornamental design for a brake disk for a motorcycle, as shown and described.

(58) **Field of Classification Search**  
USPC ..... D12/123, 179, 180; D8/42, 356;  
D21/561; D15/5; D23/354  
CPC ..... B62L 3/023; F16D 65/12  
See application file for complete search history.

**DESCRIPTION**

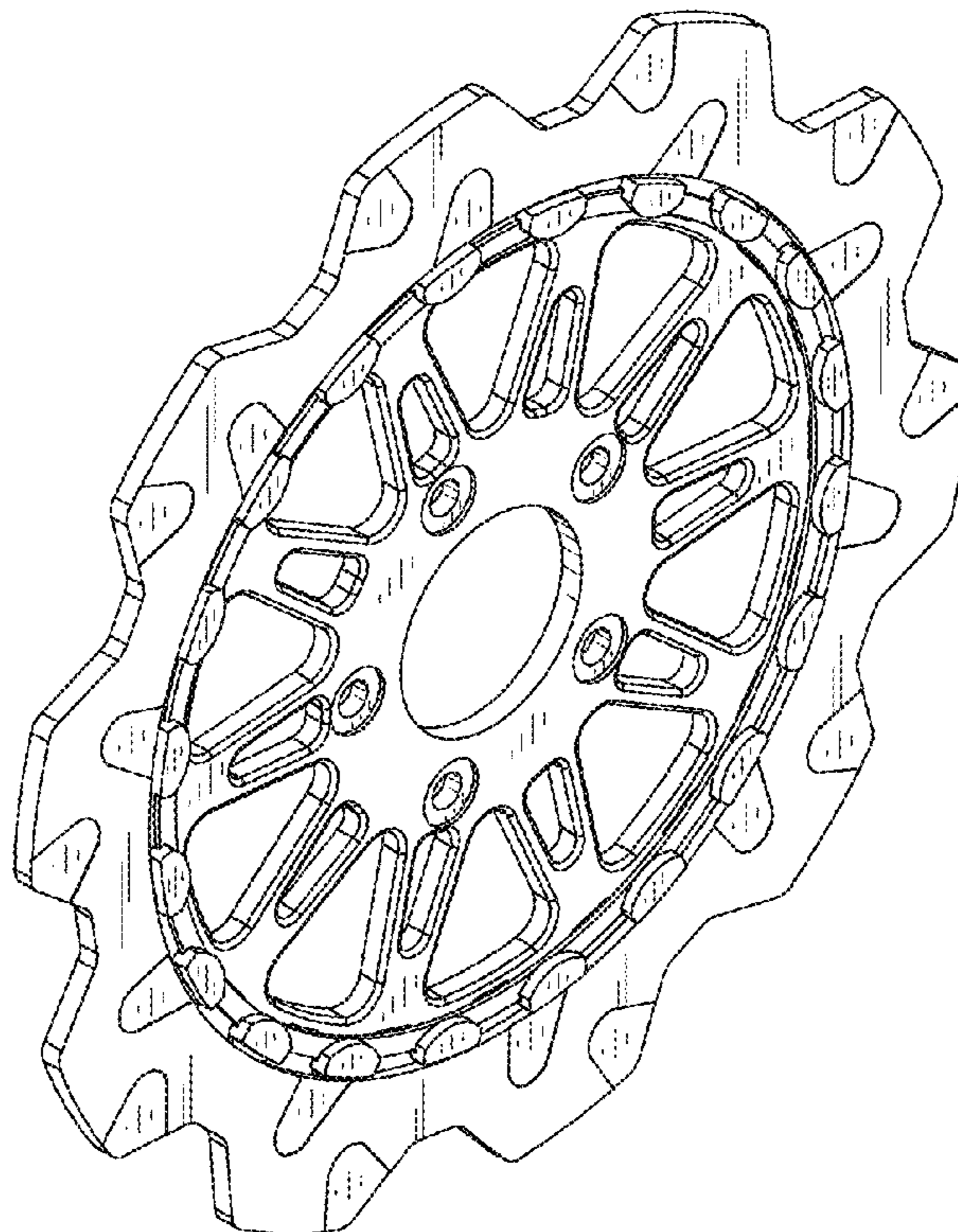
(56) **References Cited**

U.S. PATENT DOCUMENTS

D352,020 S \* 11/1994 Powers ..... D12/180  
D381,611 S \* 7/1997 Ohata ..... D12/180  
D416,526 S \* 11/1999 Hsu ..... D12/180  
D446,177 S \* 8/2001 Ueno ..... D12/180  
D521,428 S \* 5/2006 Campbell ..... D12/180  
D541,717 S \* 5/2007 Chen ..... D12/180  
D581,329 S \* 11/2008 Ohigashi ..... D12/180  
D585,345 S \* 1/2009 Maier ..... D12/180  
D784,873 S \* 4/2017 Kobayashi ..... D12/180

FIG. 1 is a perspective view showing the front, top and left side of a brake disk for a motorcycle which forms my new design;  
FIG. 2 is a perspective view showing the rear, top and right side thereof;  
FIG. 3 is a top plan view thereof;  
FIG. 4 is a front elevational view thereof;  
FIG. 5 is a right side elevational view thereof;  
FIG. 6 is a rear elevational view thereof;  
FIG. 7 is a left side elevational view thereof; and,  
FIG. 8 is a bottom plan view thereof.

**1 Claim, 3 Drawing Sheets**



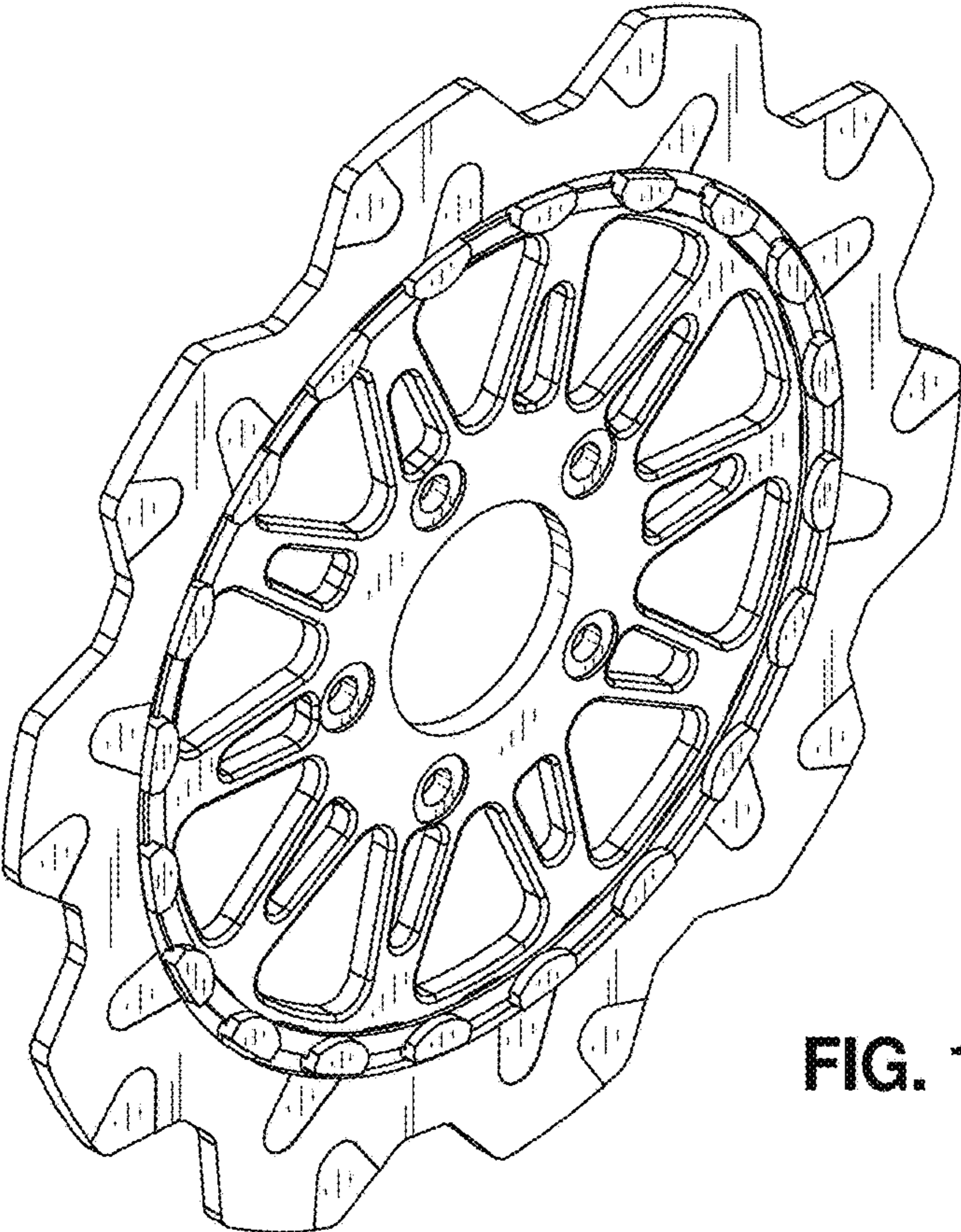


FIG. 1

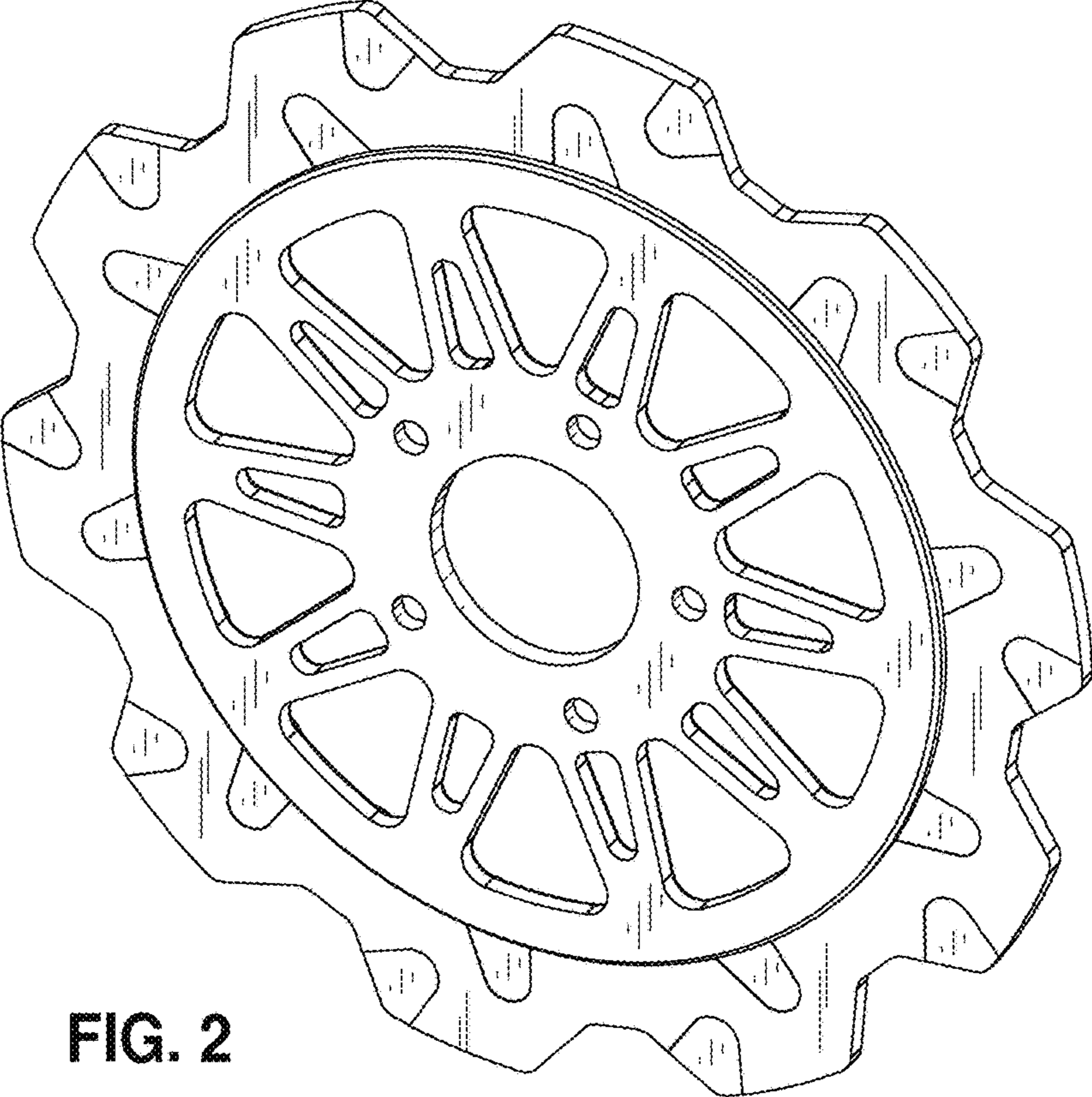


FIG. 2

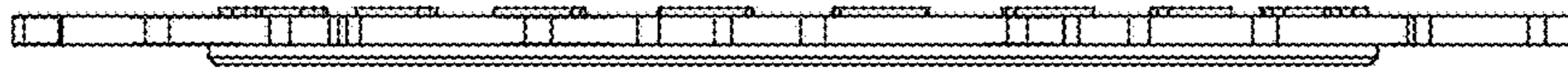


FIG. 3

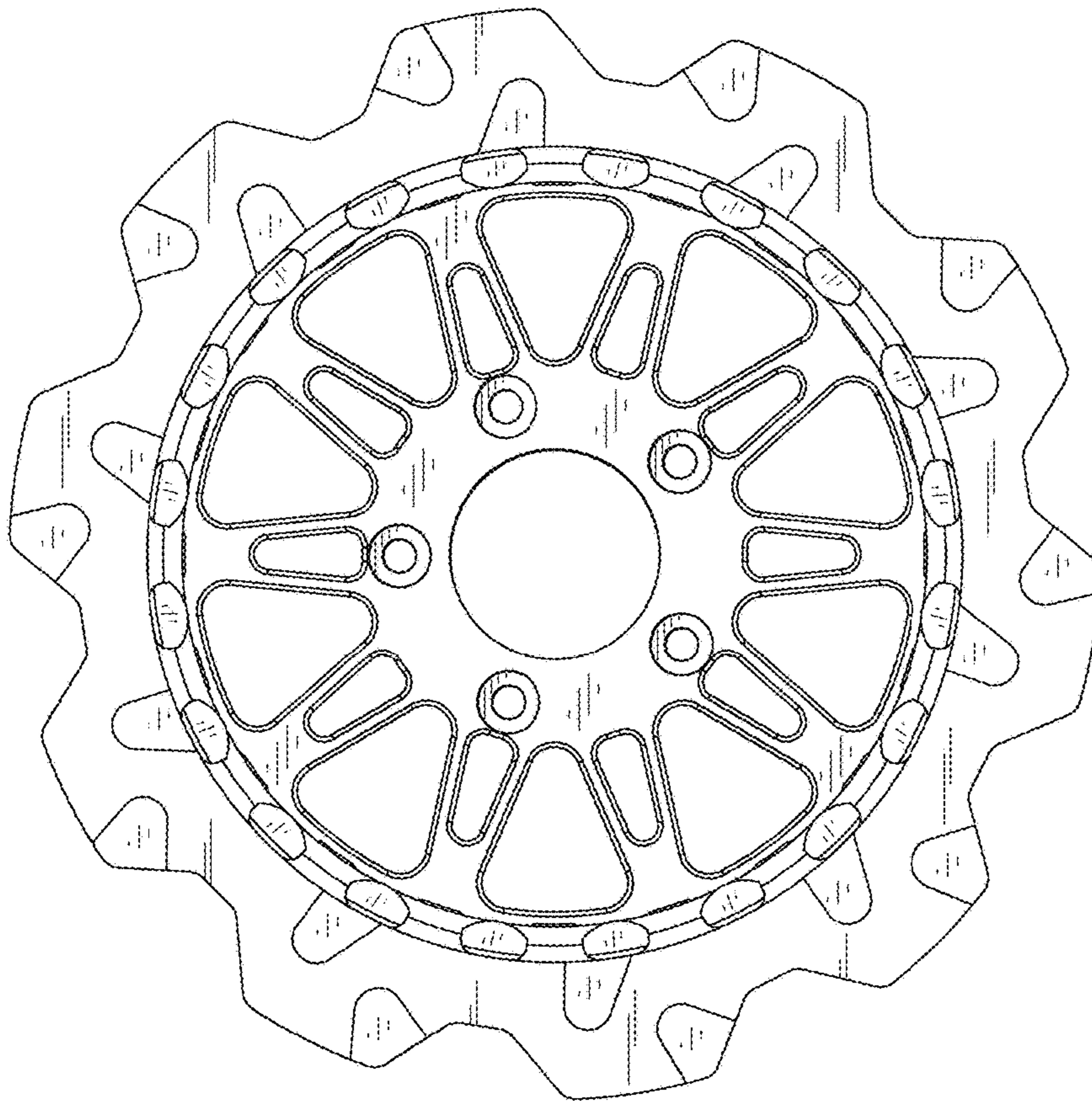


FIG. 4



FIG. 5

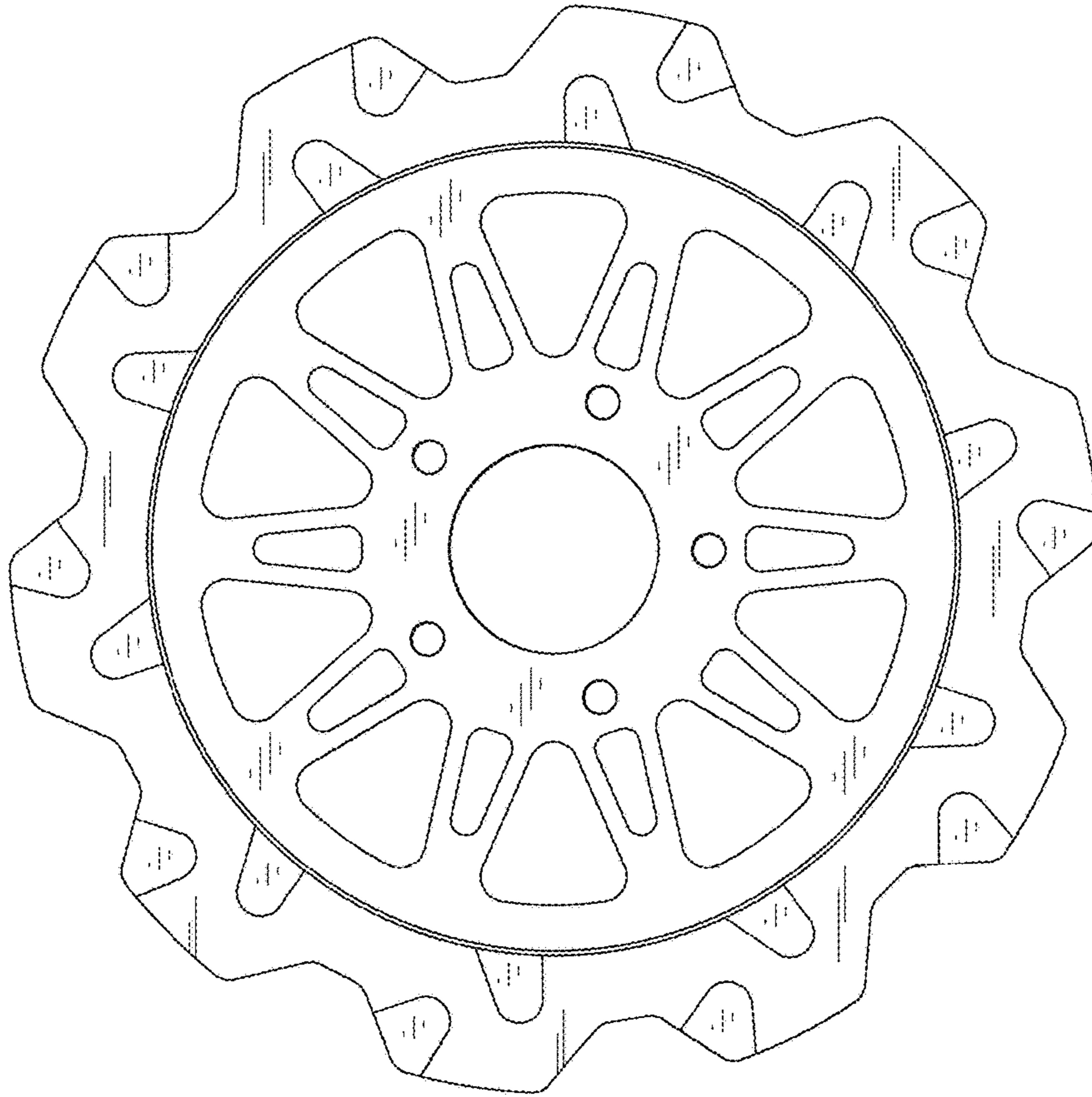


FIG. 6



FIG. 7

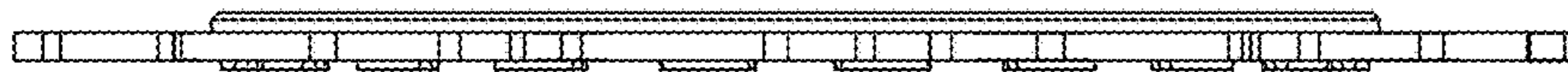


FIG. 8