



US00D830254S

(12) **United States Design Patent** (10) **Patent No.:** **US D830,254 S**  
**Owaku** (45) **Date of Patent:** **\*\* Oct. 9, 2018**

(54) **STEERING WHEEL FOR AN AUTOMOBILE**

(71) Applicant: **HONDA MOTOR CO., LTD.**, Tokyo (JP)

(72) Inventor: **Yu Owaku**, Wako (JP)

(73) Assignee: **HONDA MOTOR CO., LTD.**, Tokyo (JP)

(\*\*) Term: **15 Years**

(21) Appl. No.: **29/561,934**

(22) Filed: **Apr. 21, 2016**

(30) **Foreign Application Priority Data**

Oct. 23, 2015 (JP) ..... 2015-023575

(51) **LOC (11) Cl.** ..... **12-16**

(52) **U.S. Cl.**  
USPC ..... **D12/176**

(58) **Field of Classification Search**  
USPC ..... D12/175, 176; 74/552, 558, 558.5  
CPC ..... B60R 21/203; B60R 21/05; B62D 1/04  
See application file for complete search history.

(56) **References Cited**

**U.S. PATENT DOCUMENTS**

D600,612 S *	9/2009	Hwang	.....	D12/176
D635,900 S *	4/2011	Anzi	.....	D12/176
D640,619 S *	6/2011	Araki	.....	D12/176
D651,542 S *	1/2012	Nagasawa	.....	D12/176
D651,543 S *	1/2012	Ali	.....	D12/176
D653,180 S *	1/2012	Tanaka	.....	D12/176
D692,813 S *	11/2013	Koyama	.....	D12/175
D706,186 S *	6/2014	Fukaya	.....	D12/176

D706,187 S *	6/2014	Tilscher	.....	D12/176
D710,769 S *	8/2014	Cheung	.....	D12/176
D716,203 S *	10/2014	Nakai	.....	D12/176
D727,226 S *	4/2015	Mayerle	.....	D12/176
D733,627 S *	7/2015	Ishimaru	.....	D12/176
D741,759 S *	10/2015	Persson	.....	D12/176
D743,860 S *	11/2015	Nagumo	.....	D12/176
D758,933 S *	6/2016	Owaku	.....	D12/176
D772,769 S *	11/2016	Hamanaga	.....	D12/176
D789,261 S *	6/2017	Goedecke	.....	D12/176
D797,021 S *	9/2017	Chergosky	.....	D12/176
D798,205 S *	9/2017	Kim	.....	D12/176
D801,894 S *	11/2017	Kasano	.....	D12/176

\* cited by examiner

*Primary Examiner* — Melody N Brown

(74) *Attorney, Agent, or Firm* — Westerman, Hattori, Daniels & Adrian, LLP

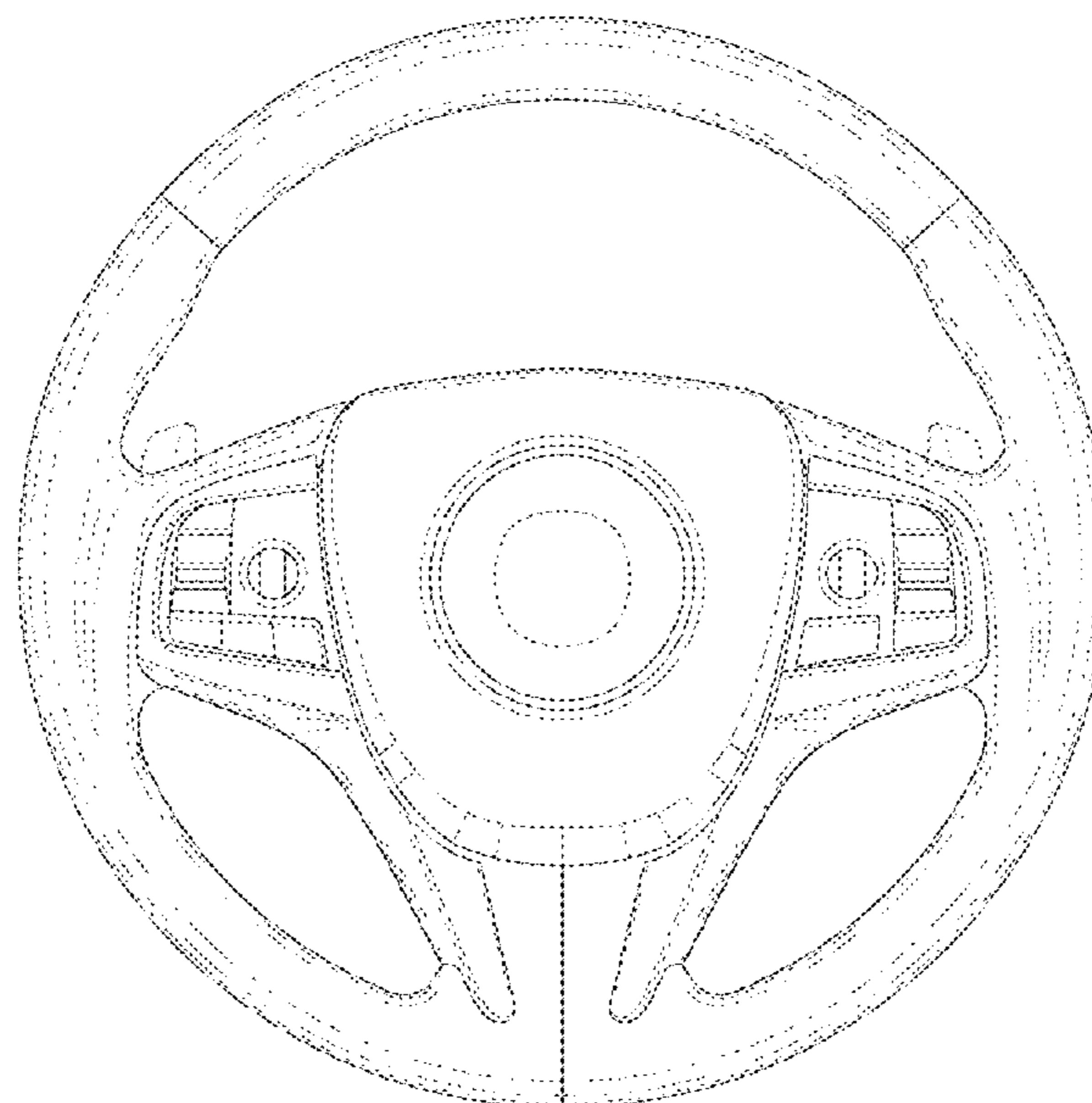
(57) **CLAIM**

The ornamental design for a steering wheel for an automobile, as shown and described.

**DESCRIPTION**

FIG. 1 is a front and left side perspective view of a steering wheel for an automobile showing my new design; FIG. 2 is a front and right side perspective view thereof; FIG. 3 is a front elevational view thereof; FIG. 4 is a top plan view thereof; FIG. 5 is a bottom plan view thereof; FIG. 6 is left side elevational view thereof; FIG. 7 is a right side elevational view thereof; and, FIG. 8 is a rear elevational view thereof. The broken lines in the drawings illustrate portions of the steering wheel for a automobile that forms no part of the claimed design

**1 Claim, 8 Drawing Sheets**



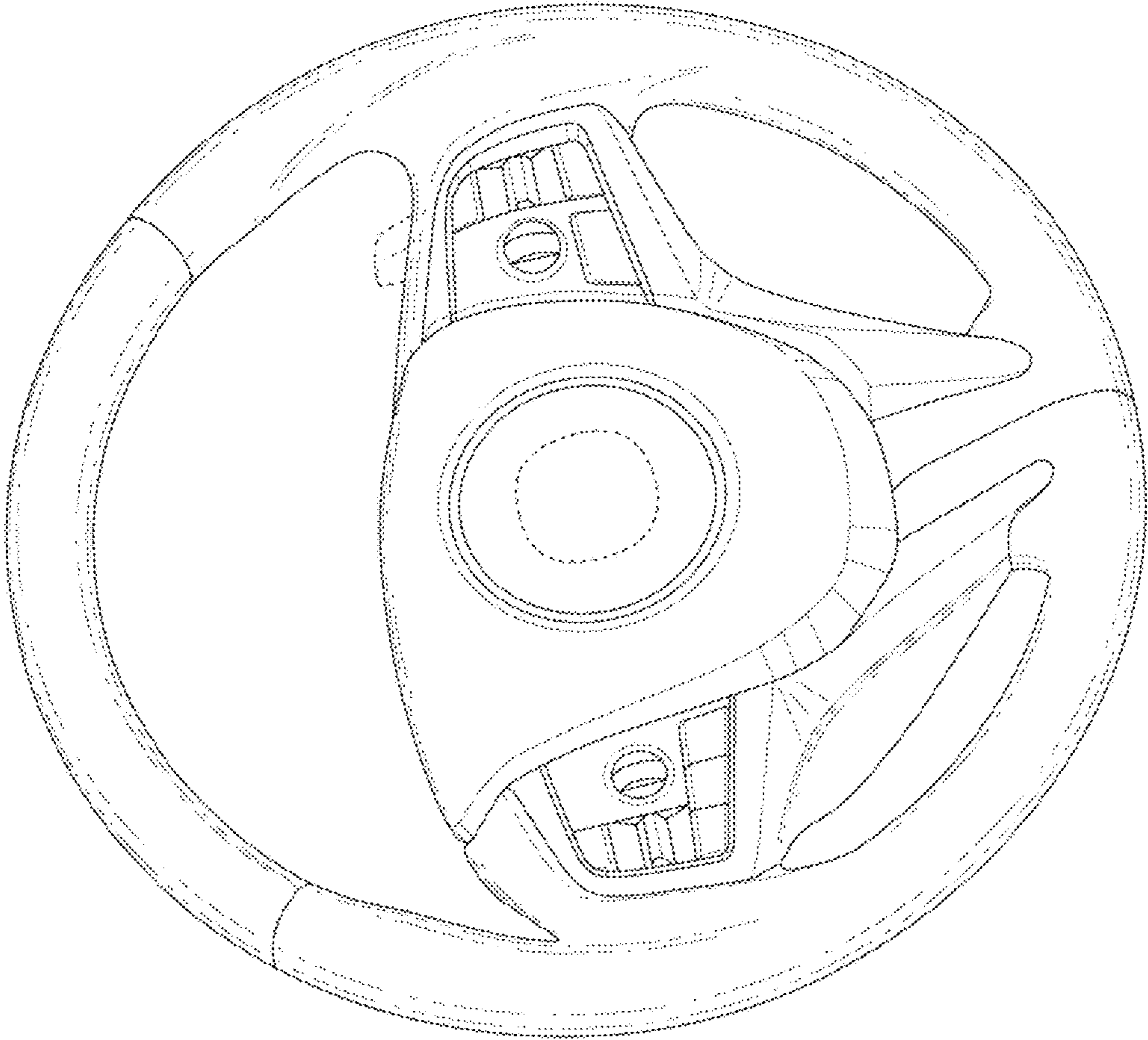


FIG. 1

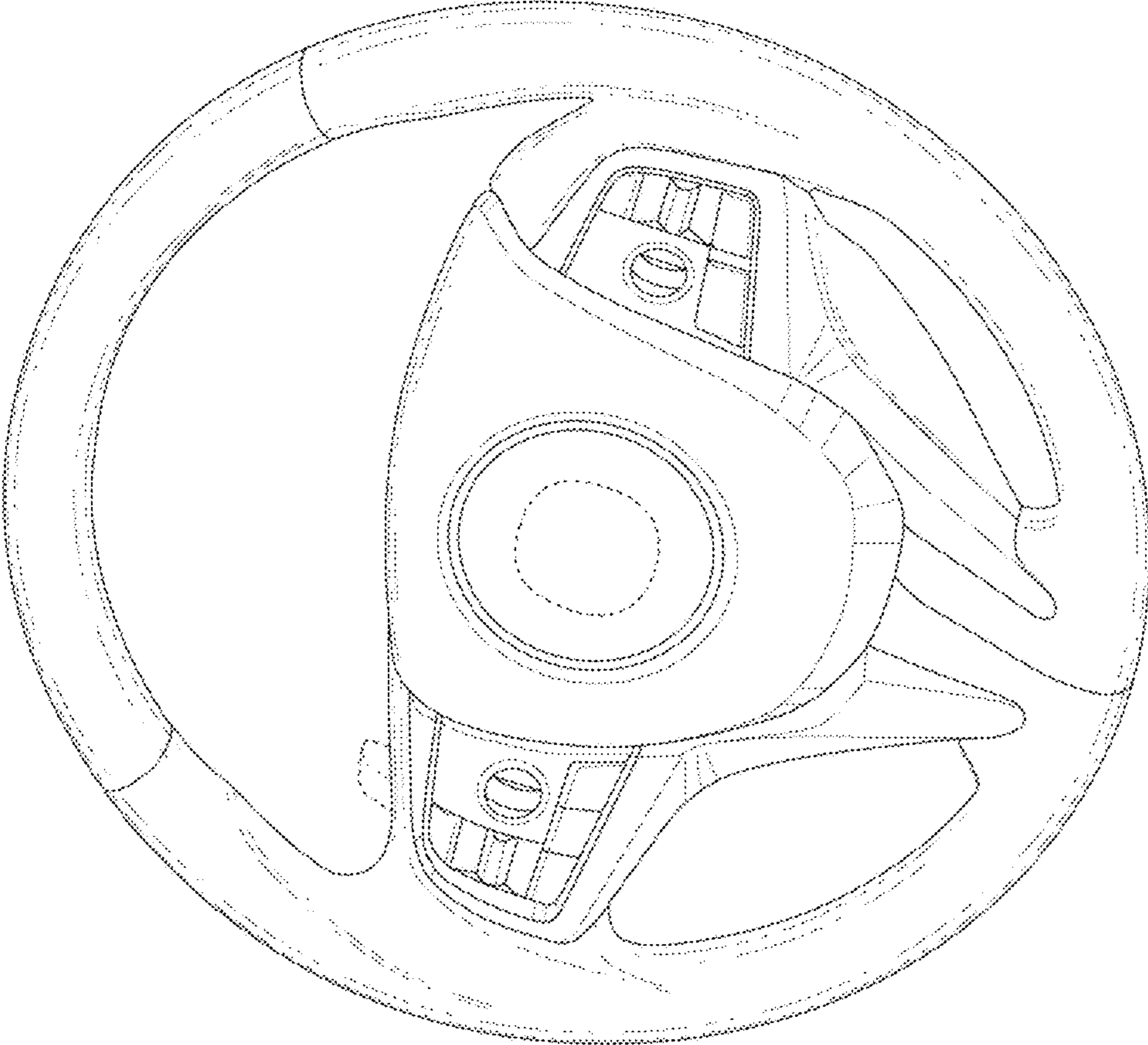


FIG.2

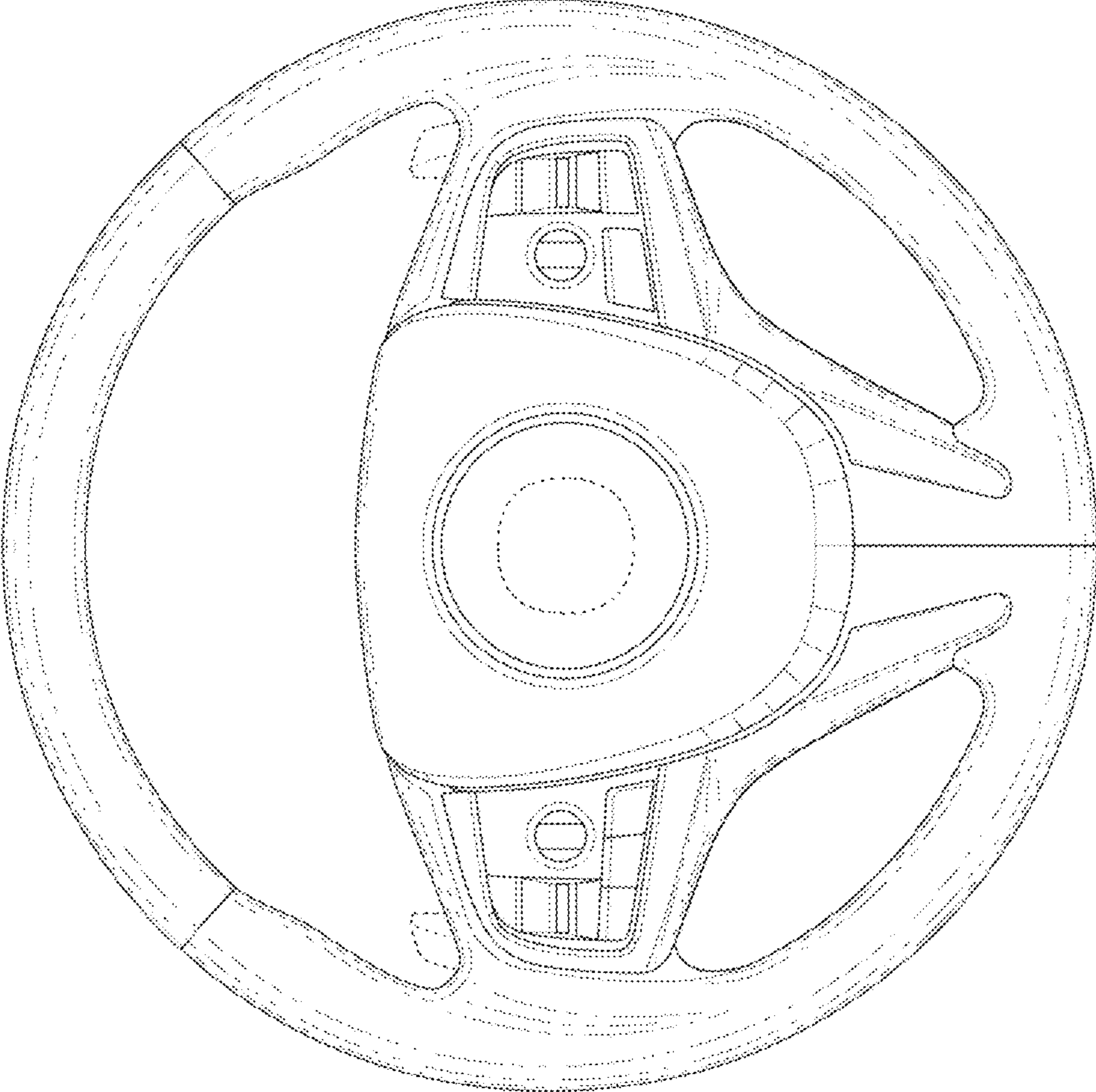


FIG.3

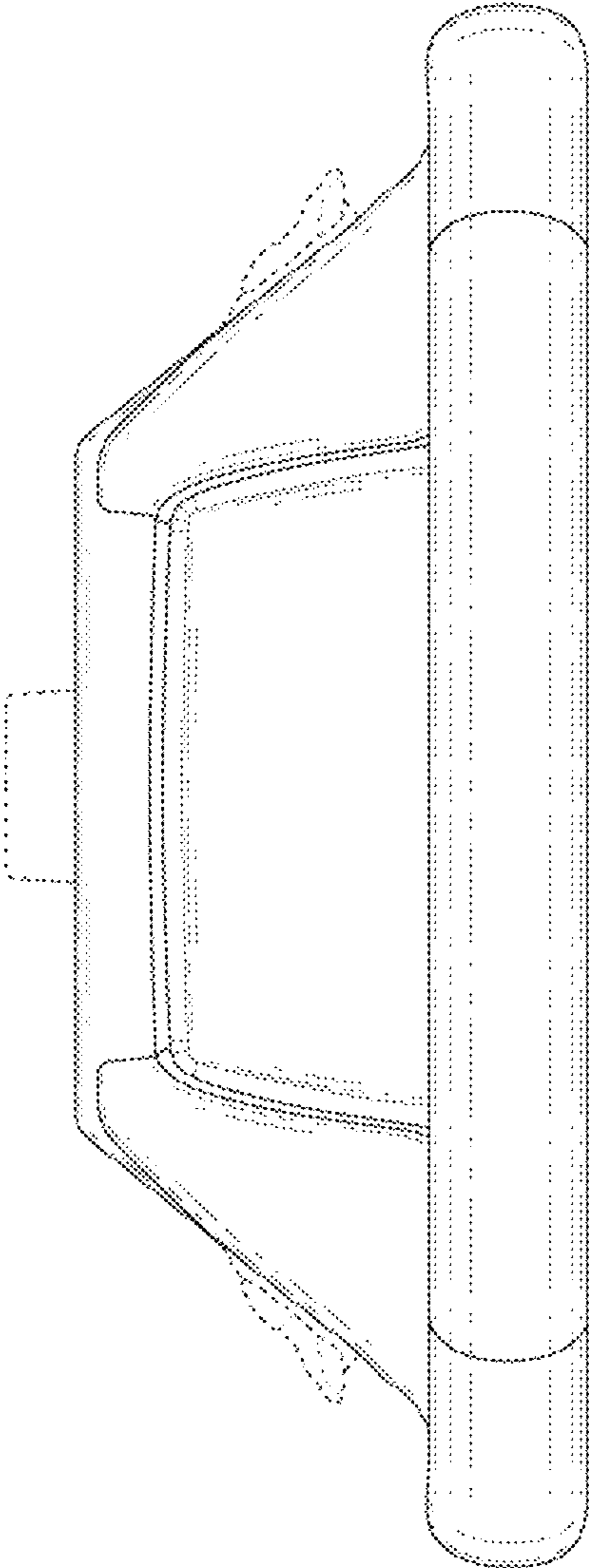


FIG.4

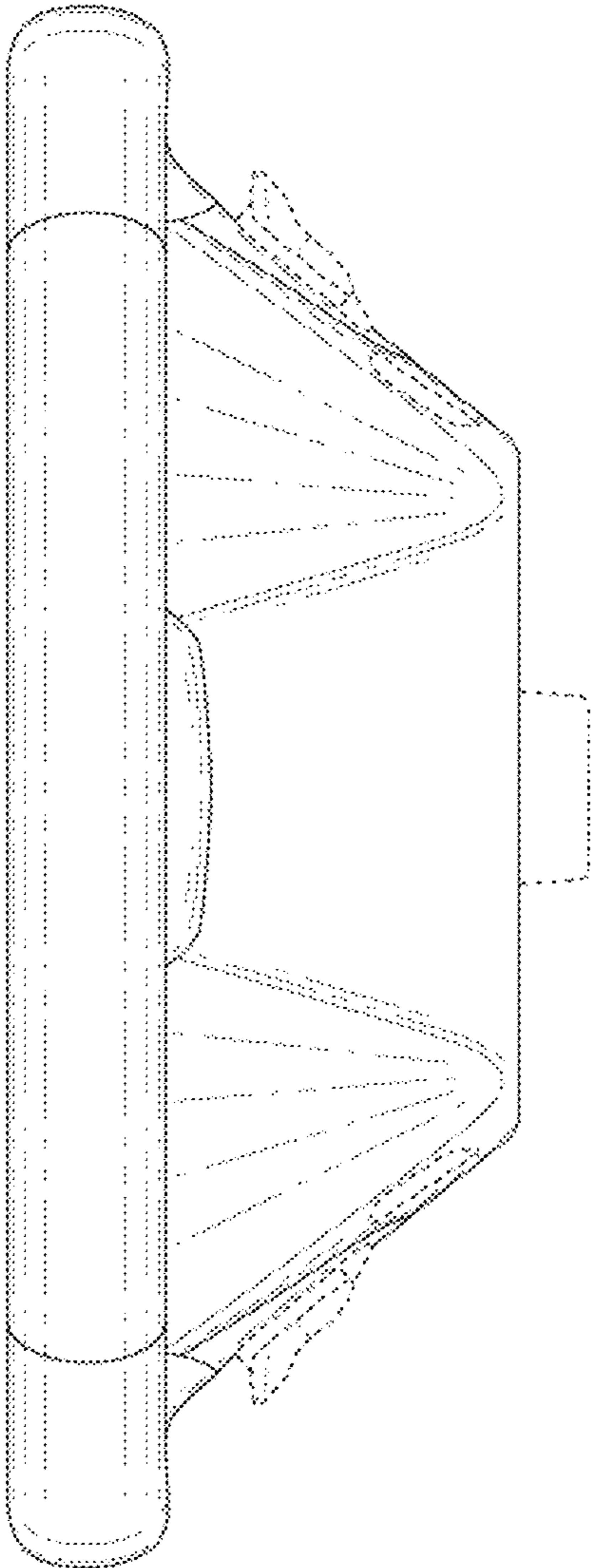


FIG.5

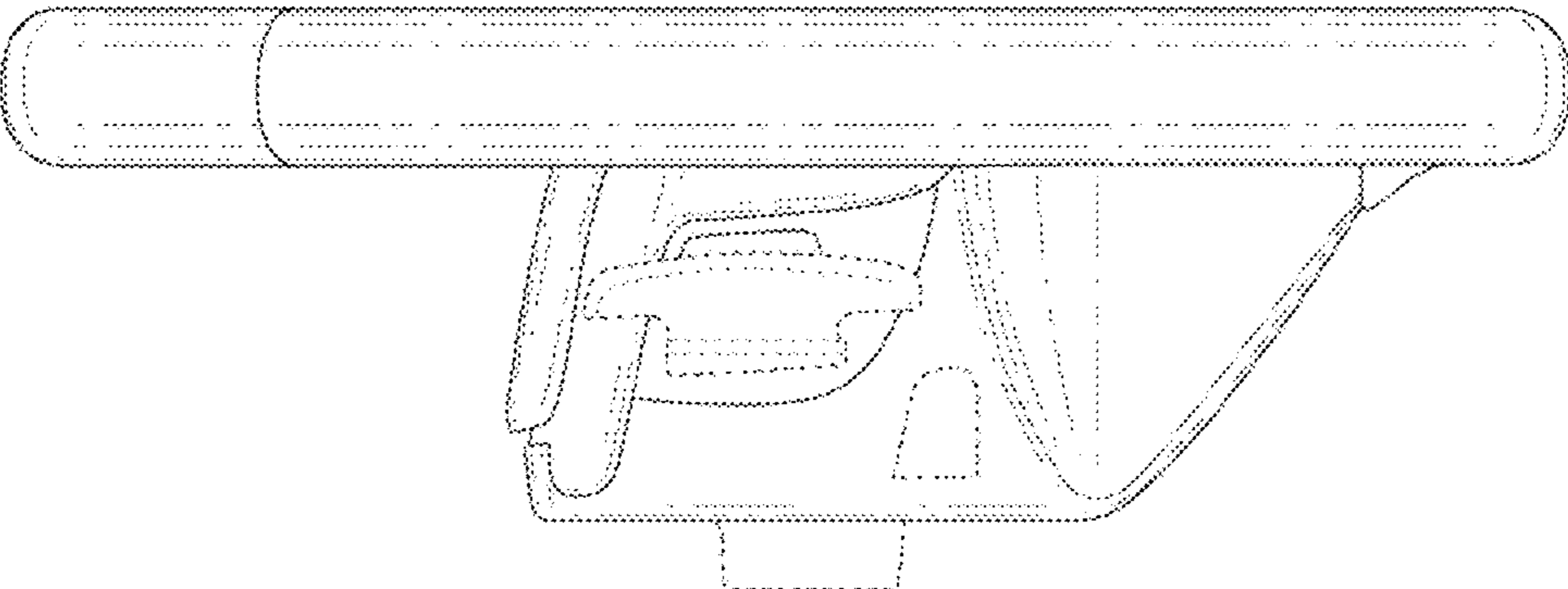


FIG.6

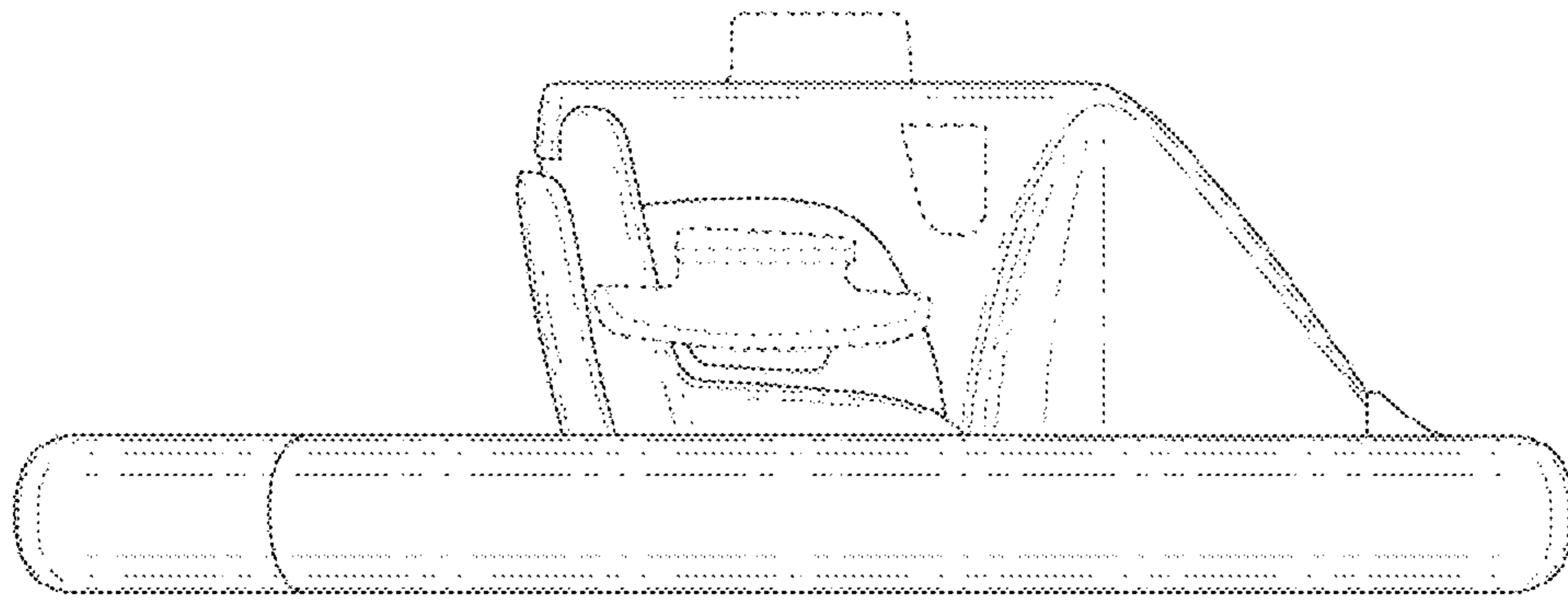


FIG.7



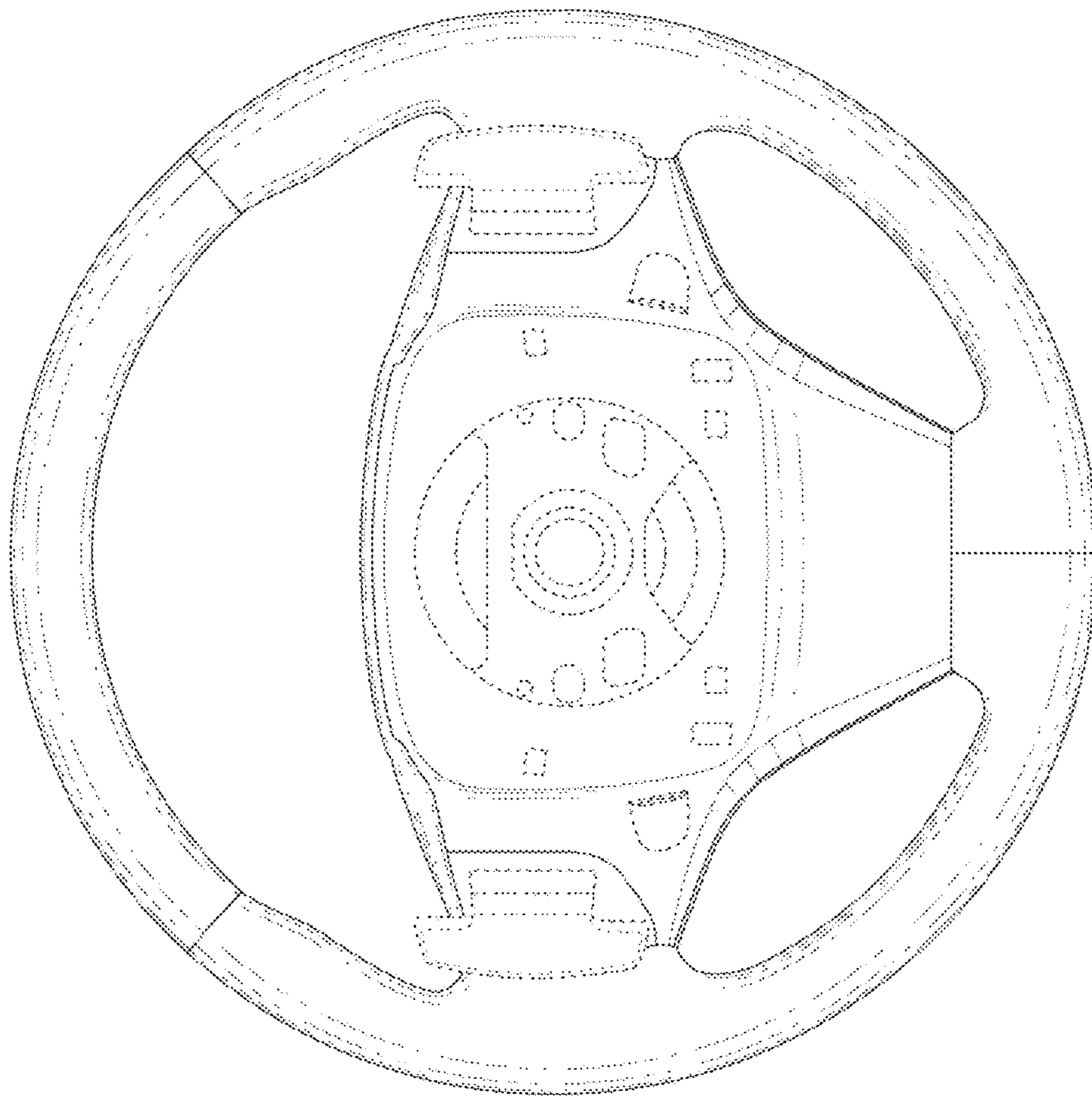


FIG. 8