



US00D830252S

(12) **United States Design Patent** (10) **Patent No.:** **US D830,252 S**  
**Swanseger** (45) **Date of Patent:** **\*\* Oct. 9, 2018**

(54) **VEHICLE HOOD INSERT**  
(71) Applicant: **GM GLOBAL TECHNOLOGY OPERATIONS LLC**, Detroit, MI (US)  
(72) Inventor: **Casey Swanseger**, Lake Orion, MI (US)  
(73) Assignee: **GM Global Technology Operations LLC**, Detroit, MI (US)  
(\*\*) Term: **15 Years**  
(21) Appl. No.: **29/584,621**  
(22) Filed: **Nov. 16, 2016**  
(51) **LOC (11) Cl.** ..... **12-08**  
(52) **U.S. Cl.**  
USPC ..... **D12/173**  
(58) **Field of Classification Search**  
USPC ..... D12/90–92, 173, 181  
CPC .. B62D 25/105; B60R 2021/343; B60R 21/34  
See application file for complete search history.

D609,608 S 2/2010 Boniface et al.  
D611,387 S 3/2010 Thompson et al.  
D611,879 S 3/2010 Kim et al.  
D612,297 S 3/2010 Peters et al.  
D613,645 S 4/2010 Song et al.  
D615,458 S 5/2010 Thompson et al.  
D618,595 S 6/2010 Ware et al.  
D623,090 S 9/2010 Cox et al.  
D627,262 S 11/2010 Ikeda et al.  
D627,281 S \* 11/2010 Yoshida ..... D12/173  
D635,488 S 4/2011 Phipps  
D644,147 S 8/2011 Suh et al.  
D644,567 S 9/2011 Kozub  
D651,144 S \* 12/2011 Okumoto ..... D12/173  
D657,718 S 4/2012 Zipfel et al.  
D659,052 S 5/2012 Ware et al.  
D659,053 S 5/2012 Ware et al.  
D659,612 S \* 5/2012 Matsumoto ..... D12/173  
D662,013 S \* 6/2012 Hakamata ..... D12/173  
D668,182 S 10/2012 Barba Franco et al.  
D668,183 S 10/2012 Smart  
D678,820 S 3/2013 Son et al.  
D678,821 S 3/2013 Ikeda et al.  
D680,909 S 4/2013 Munson et al.

(Continued)

*Primary Examiner* — Garth Rademaker  
*Assistant Examiner* — Melvin L Davis  
(74) *Attorney, Agent, or Firm* — Reising Ethington P.C.

(56) **References Cited**  
U.S. PATENT DOCUMENTS

D570,742 S 6/2008 Takagi et al.  
D592,105 S 5/2009 Dean et al.  
D597,447 S 8/2009 Folden  
D600,595 S 9/2009 Nakamura et al.  
D601,925 S 10/2009 O'Donnell  
D603,755 S 11/2009 Peters  
D604,203 S 11/2009 O'Donnell  
D605,082 S 12/2009 Munson  
D605,083 S 12/2009 Manoogian, II et al.  
D605,977 S 12/2009 Zipfel et al.  
D605,978 S 12/2009 Wolff et al.  
D608,249 S 1/2010 Peters  
D608,690 S 1/2010 Folden et al.  
D608,691 S 1/2010 Zak, Jr. et al.

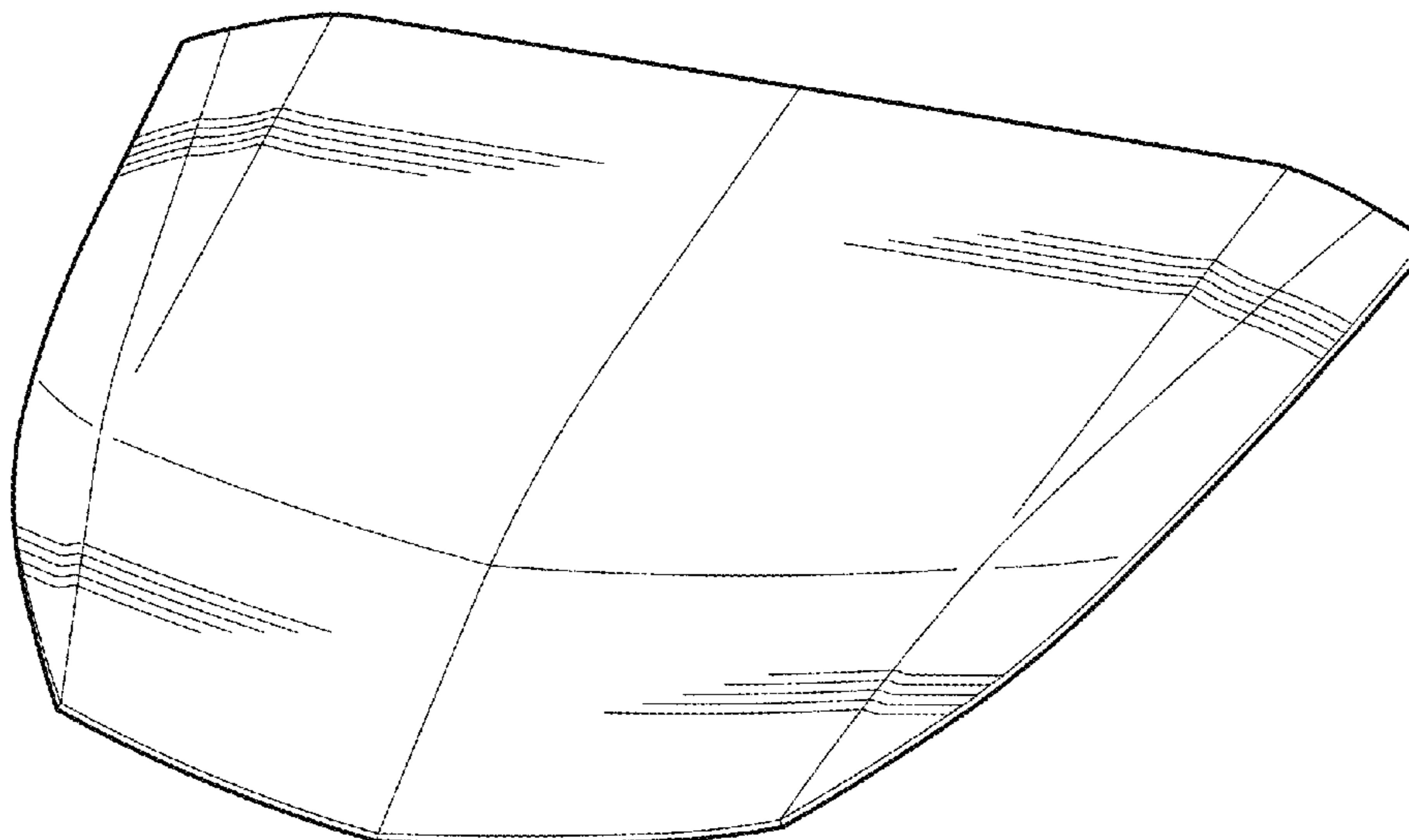
(57) **CLAIM**

The ornamental design for a vehicle hood insert, as shown and described.

**DESCRIPTION**

FIG. 1 is a perspective view of the vehicle hood insert; FIG. 2 is a front view thereof; FIG. 3 is a top view thereof; and, FIG. 4 is a side perspective view thereof. The broken lines depict portions of the article that form no part of the claimed design.

**1 Claim, 2 Drawing Sheets**



(56)

References Cited

U.S. PATENT DOCUMENTS

D680,910 S	4/2013	David		D745,086 S	12/2015	Finos et al.	
D683,286 S *	5/2013	Fuchigami .....	D12/173	D745,719 S	12/2015	Boniface et al.	
D684,899 S	6/2013	Baker		D745,725 S	12/2015	McMahan et al.	
D686,536 S	7/2013	McCabe et al.		D745,726 S	12/2015	McMahan et al.	
D692,798 S	11/2013	Thurber		D745,837 S	12/2015	Smith et al.	
D692,799 S	11/2013	Smith et al.		D746,726 S	1/2016	Smith et al.	
D696,157 S	12/2013	Loeb		D746,727 S	1/2016	Smith et al.	
D699,629 S	2/2014	Ikeda et al.		D746,728 S	1/2016	Smith et al.	
D700,871 S	3/2014	O'Donnell et al.		D746,729 S	1/2016	Boniface et al.	
D703,103 S	4/2014	Lee		D746,730 S	1/2016	Kim et al.	
D704,103 S	5/2014	Mack et al.		D746,740 S *	1/2016	Wolff .....	D12/173
D705,132 S	5/2014	Ware et al.		D747,514 S	1/2016	McMahan et al.	
D705,699 S	5/2014	Ware et al.		D747,515 S	1/2016	McMahan et al.	
D713,298 S	9/2014	Dyson		D747,819 S	1/2016	Thole et al.	
D713,764 S	9/2014	Ferlazzo et al.		D748,545 S *	2/2016	Behmer .....	D12/173
D716,696 S	11/2014	Thole et al.		D749,021 S	2/2016	Boniface et al.	
D716,706 S	11/2014	Thole et al.		D749,026 S	2/2016	Smith et al.	
D716,709 S	11/2014	Thole et al.		D749,027 S	2/2016	McMahan et al.	
D717,696 S	11/2014	Thole et al.		D749,246 S	2/2016	Thole et al.	
D718,189 S	11/2014	Krieg et al.		D749,249 S	2/2016	Thole et al.	
D718,683 S	12/2014	Thole et al.		D749,250 S	2/2016	Thole et al.	
D718,686 S *	12/2014	Hammoud .....	D12/173	D749,985 S	2/2016	Kozub et al.	
D722,282 S	2/2015	Loeb		D749,997 S	2/2016	McMahan et al.	
D722,533 S	2/2015	Thole et al.		D750,001 S	2/2016	Thole et al.	
D722,534 S	2/2015	Munson et al.		D753,032 S	4/2016	Smith et al.	
D722,928 S *	2/2015	George .....	D12/173	D753,033 S	4/2016	Thole et al.	
D724,510 S	3/2015	McMahan et al.		D753,034 S	4/2016	Thole et al.	
D725,001 S	3/2015	McMahan et al.		D753,035 S	4/2016	Boniface et al.	
D726,591 S	4/2015	Jacob		D753,559 S	4/2016	McMahan et al.	
D730,776 S	6/2015	Smart		D753,560 S	4/2016	McMahan et al.	
D730,783 S	6/2015	Henriques et al.		D753,567 S	4/2016	Boniface et al.	
D732,427 S	6/2015	Loeb		D754,571 S	4/2016	Boniface et al.	
D732,429 S	6/2015	Loeb		D754,572 S	4/2016	McMahan et al.	
D732,430 S	6/2015	Loeb		D755,088 S	5/2016	McMahan et al.	
D732,431 S	6/2015	Loeb		D756,869 S	5/2016	McMahan et al.	
D732,432 S	6/2015	Aengenheyster		D758,271 S	6/2016	McMahan et al.	
D732,433 S	6/2015	Aengenheyster		D765,568 S *	9/2016	Frascella .....	D12/173
D732,435 S	6/2015	Mackay		D767,449 S	9/2016	Pevovar et al.	
D733,002 S	6/2015	Loeb		D767,450 S	9/2016	Lee et al.	
D735,611 S	8/2015	Aengenheyster		D767,451 S	9/2016	Kozub et al.	
D735,627 S	8/2015	Smith		D767,454 S	9/2016	McMahan et al.	
D736,451 S	8/2015	Smith		D767,458 S	9/2016	Kim	
D739,306 S	9/2015	McMahan et al.		D767,459 S	9/2016	Kim	
D739,317 S	9/2015	McMahan et al.		D767,460 S	9/2016	Kozub et al.	
D741,223 S	10/2015	Kim et al.		D767,461 S	9/2016	Kozub et al.	
D743,309 S	11/2015	Thole et al.		D771,528 S	11/2016	Smith et al.	
D743,313 S	11/2015	Smith et al.		D771,529 S	11/2016	Thole et al.	
D743,314 S	11/2015	Thole et al.		D771,532 S	11/2016	Kapitonov	
D743,857 S	11/2015	McMahan et al.		D771,533 S	11/2016	Kapitonov	
D744,158 S	11/2015	Willett et al.		D777,622 S *	1/2017	Kozub .....	D12/173
				D778,792 S *	2/2017	Kim .....	D12/173
				D779,398 S *	2/2017	Platto .....	D12/173

\* cited by examiner

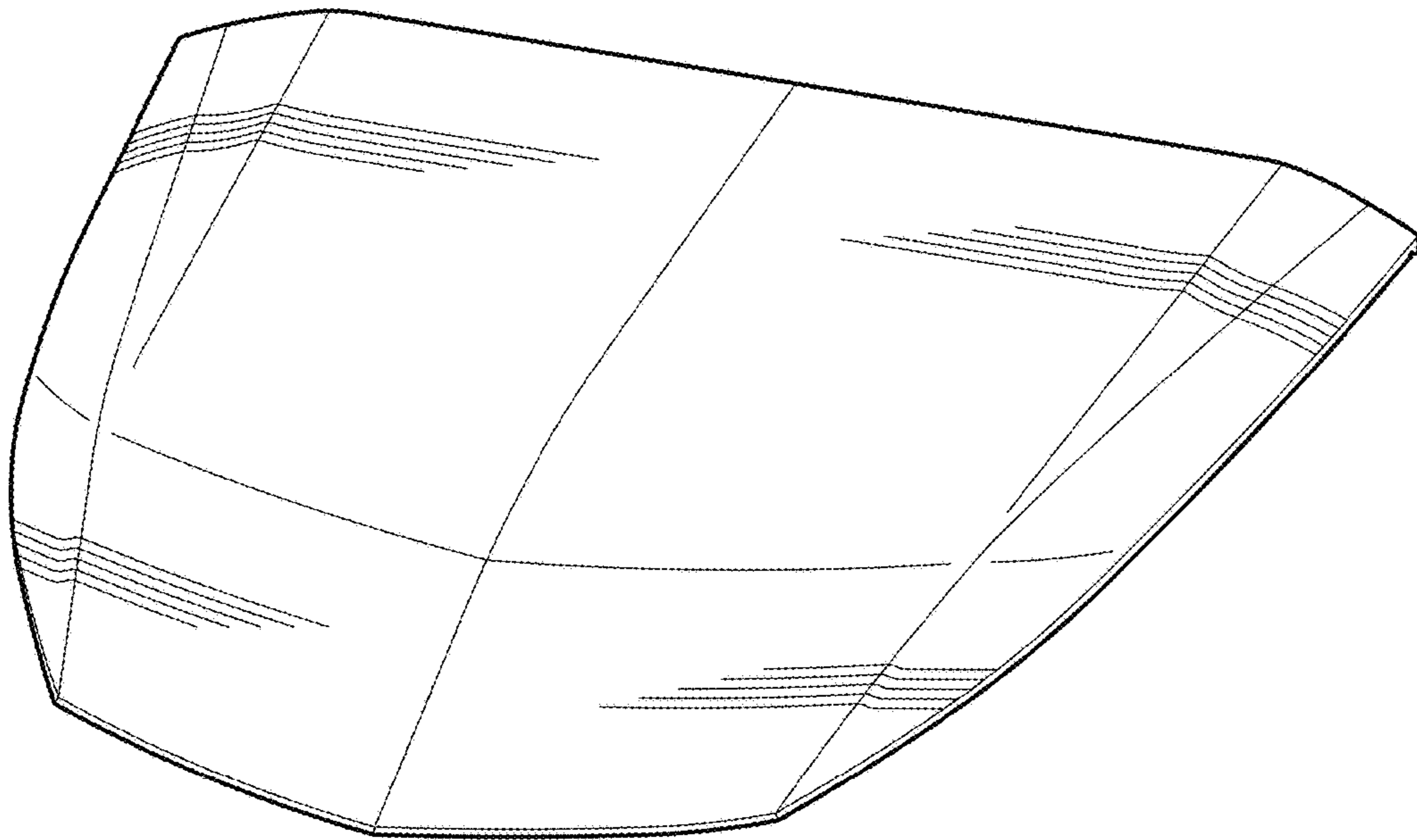


FIG. 1

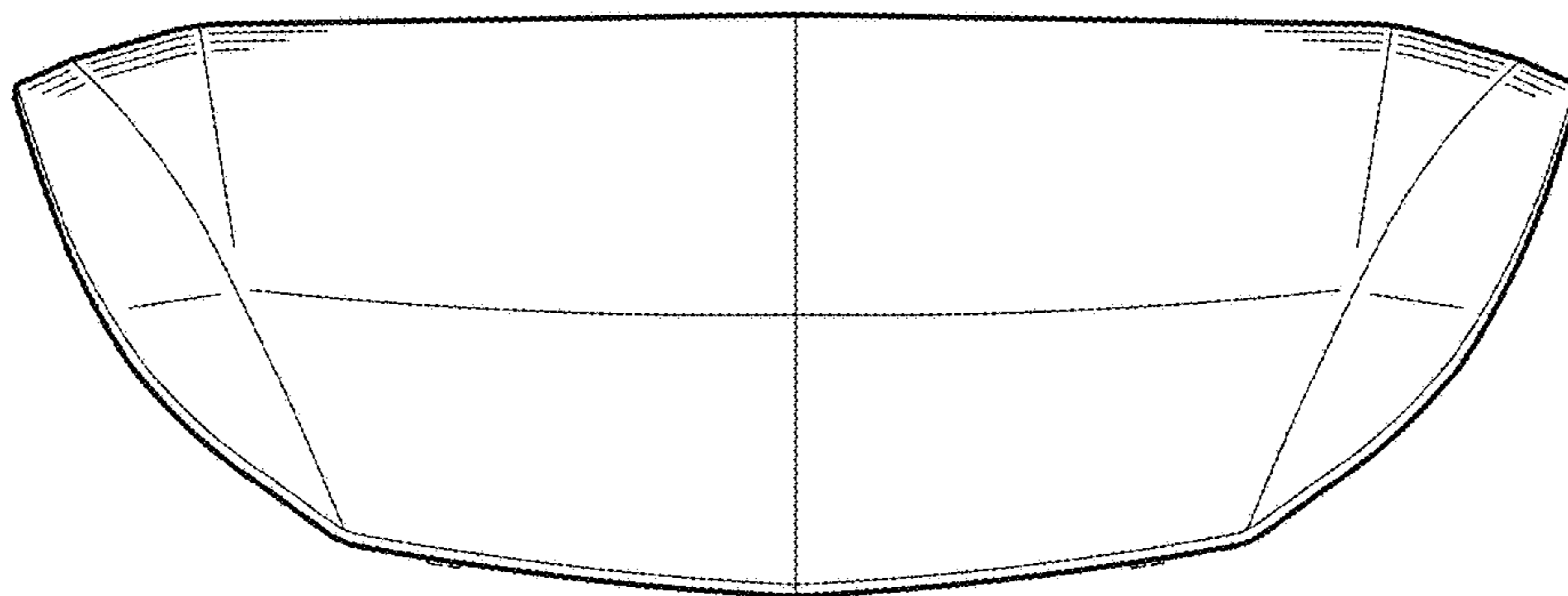


FIG. 2

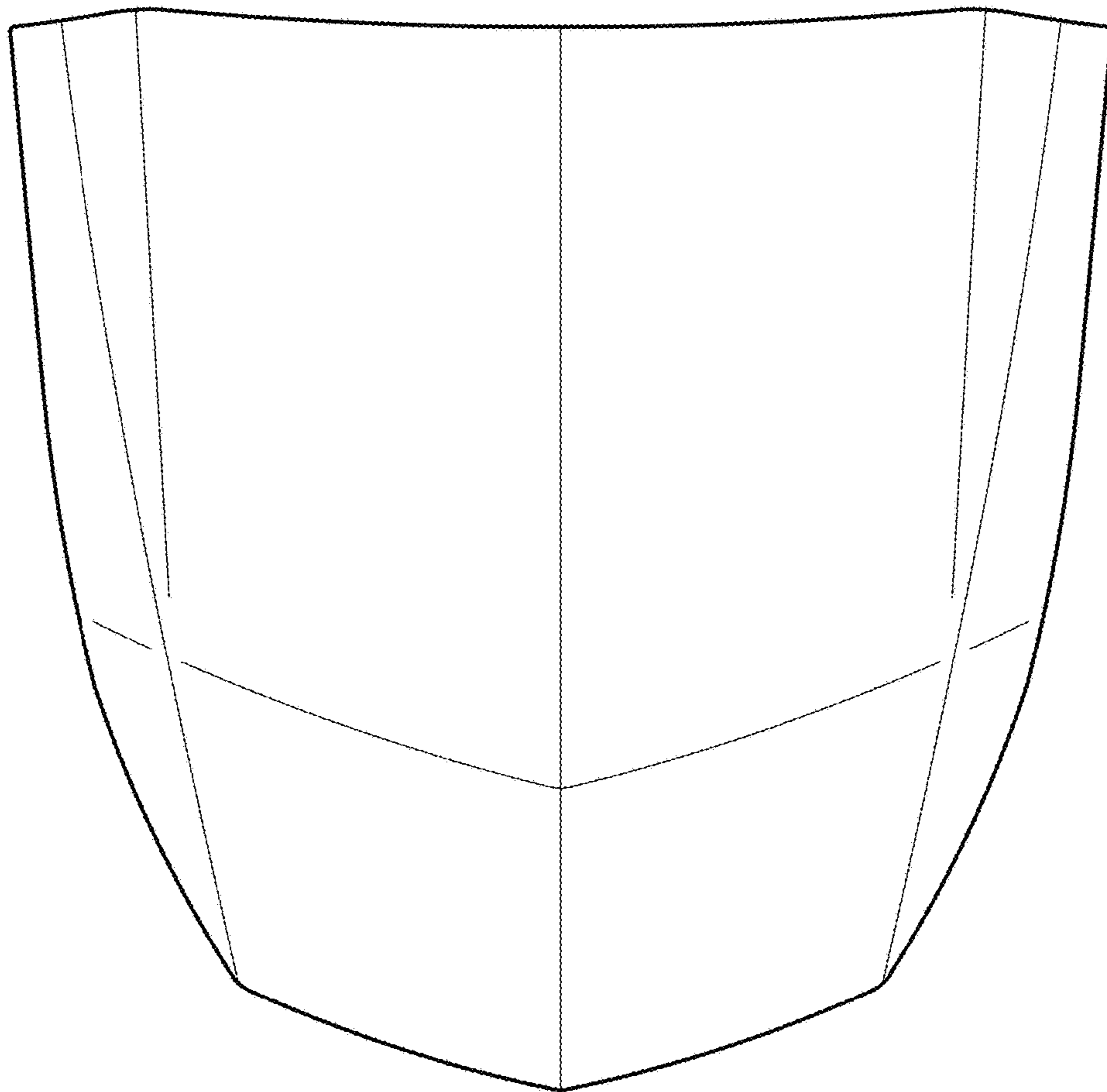


FIG. 3

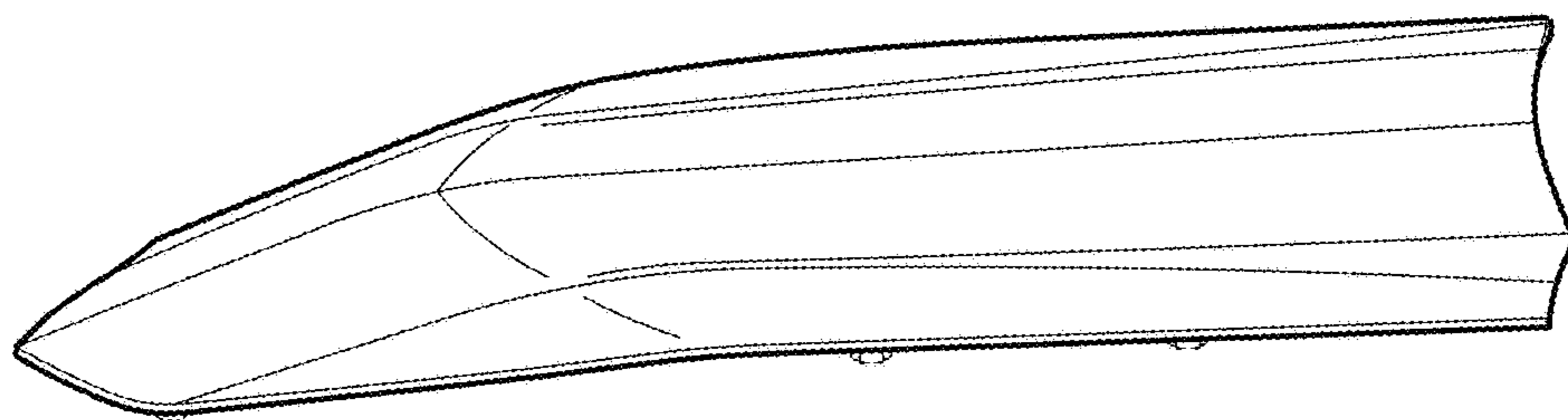


FIG. 4