



US00D830251S

(12) **United States Design Patent**
Komuro et al.

(10) **Patent No.:** **US D830,251 S**
(45) **Date of Patent:** **** Oct. 9, 2018**

(54) **RADIATOR GRILL FOR AUTOMOBILE**
(71) Applicant: **Nissan Motor Co., Ltd.**, Yokohama,
Kanagawa (JP)
(72) Inventors: **Yukio Komuro**, Kanagawa (JP); **David**
Beasley, Hayes (GB)
(73) Assignee: **Nissan Motor Co., Ltd.**, Yokohama
(JP)

D737,736 S * 9/2015 Iwai D12/163
D755,090 S * 5/2016 Ino D12/163
D758,928 S * 6/2016 Messale D12/163
D766,782 S * 9/2016 Arroba D12/163
D766,783 S * 9/2016 Rodriguez D12/163
D774,998 S * 12/2016 Munakata D12/163
D774,999 S * 12/2016 Liu D12/163
D783,465 S * 4/2017 Choi D12/163
D789,844 S * 6/2017 Sakai D12/163
D789,845 S * 6/2017 Oohashi D12/163

* cited by examiner

(**) Term: **15 Years**

Primary Examiner — Melody N Brown

(21) Appl. No.: **29/612,064**

(57) **CLAIM**

(22) Filed: **Jul. 28, 2017**

The ornamental design for a radiator grill for an automobile,
as shown and described.

(30) **Foreign Application Priority Data**

DESCRIPTION

Feb. 7, 2017 (JP) 2017-002147

(51) **LOC (11) Cl.** **12-16**

(52) **U.S. Cl.**
USPC **D12/169**

(58) **Field of Classification Search**
USPC D12/169, 216, 90-92, 86, 171, 196, 163;
293/102, 113, 115, 117, 120; 296/180.1,
296/180.2
CPC B60R 19/02; B60R 19/04; B62D 25/08
See application file for complete search history.

FIG. 1 is a front elevational view of a radiator grill for an
automobile in accordance with our new design;
FIG. 2 is a top plan view thereof;
FIG. 3 is a bottom plan view thereof;
FIG. 4 is a left side elevational view thereof;
FIG. 5 is a right side elevational view thereof;
FIG. 6 is a bottom, front and left side perspective view
thereof;
FIG. 7 is a top, front and right side perspective view thereof;
and,
FIG. 8 is an enlarged cross sectional view thereof, taken
along line 8-8 of FIG. 1.

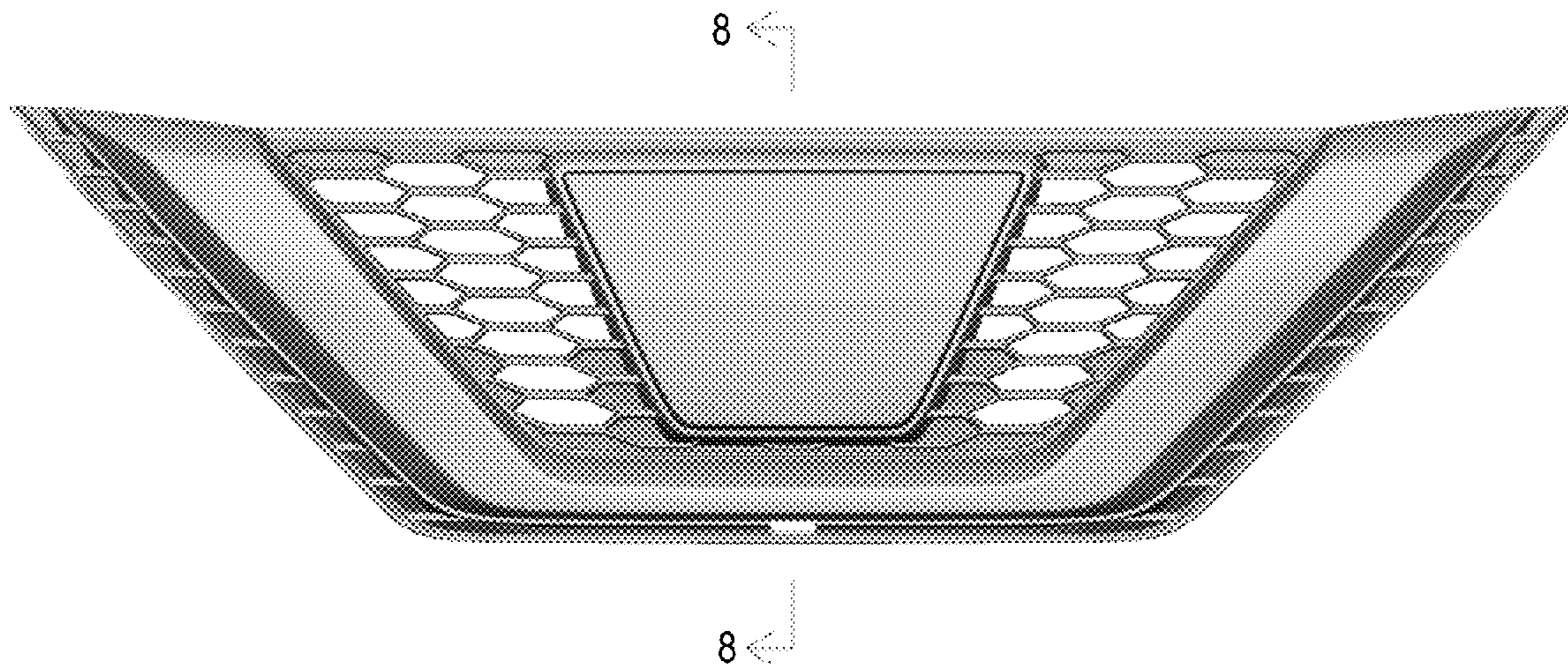
(56) **References Cited**

U.S. PATENT DOCUMENTS

D705,137 S * 5/2014 Kawasaki D12/163
D727,220 S * 4/2015 Rugar D12/163
D736,122 S * 8/2015 Hammoud D12/163

The broken line showing of the radiator grill is for purpose
of illustrating environmental structure and forms no part of
the claimed design. The rear view of the radiator grill forms
no part of the claimed design.

1 Claim, 8 Drawing Sheets



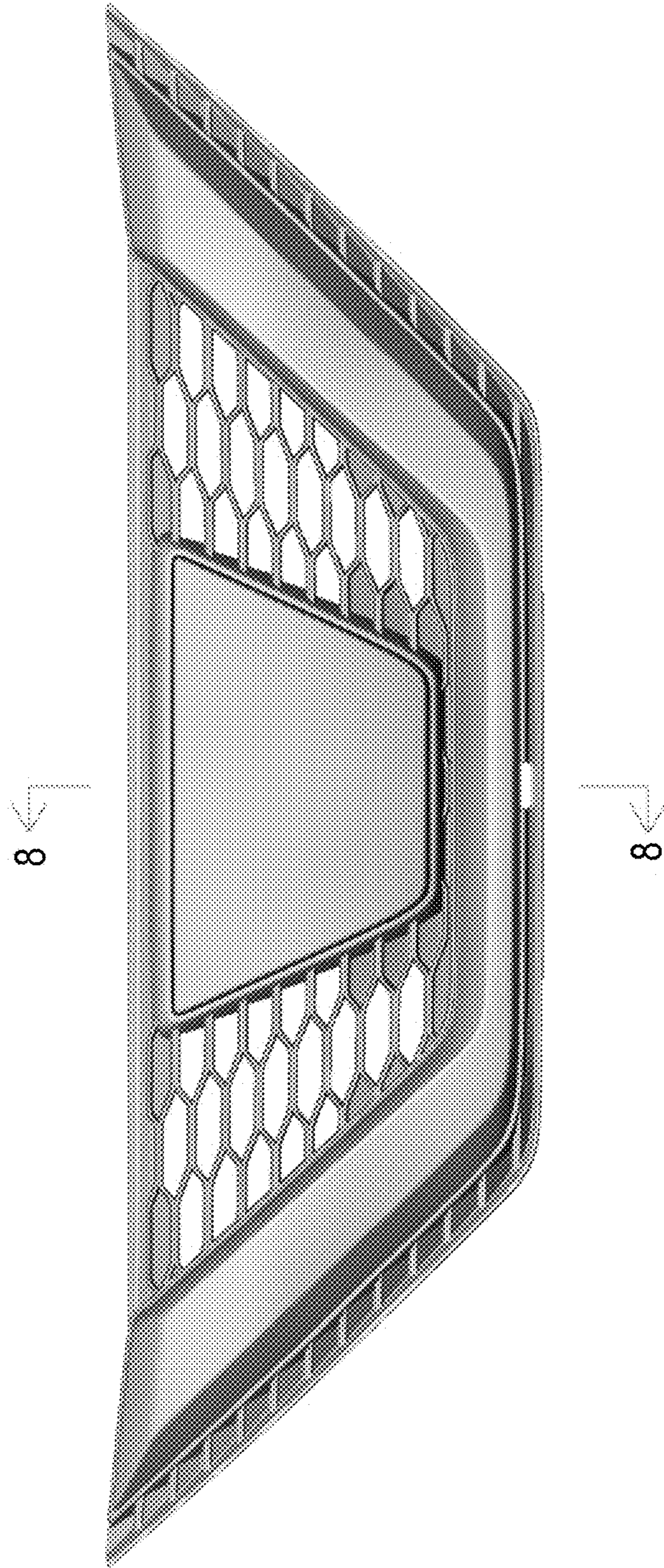


FIG. 1

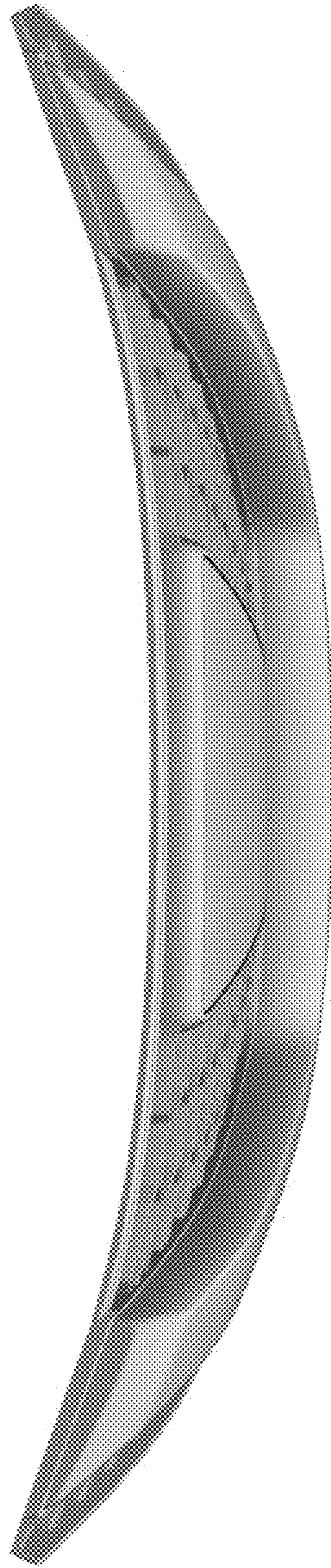


FIG. 2

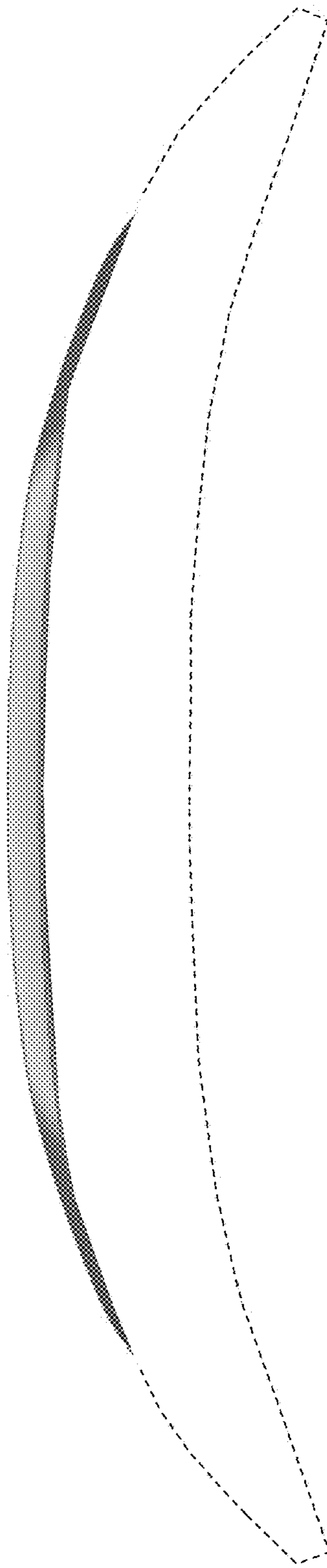


FIG. 3

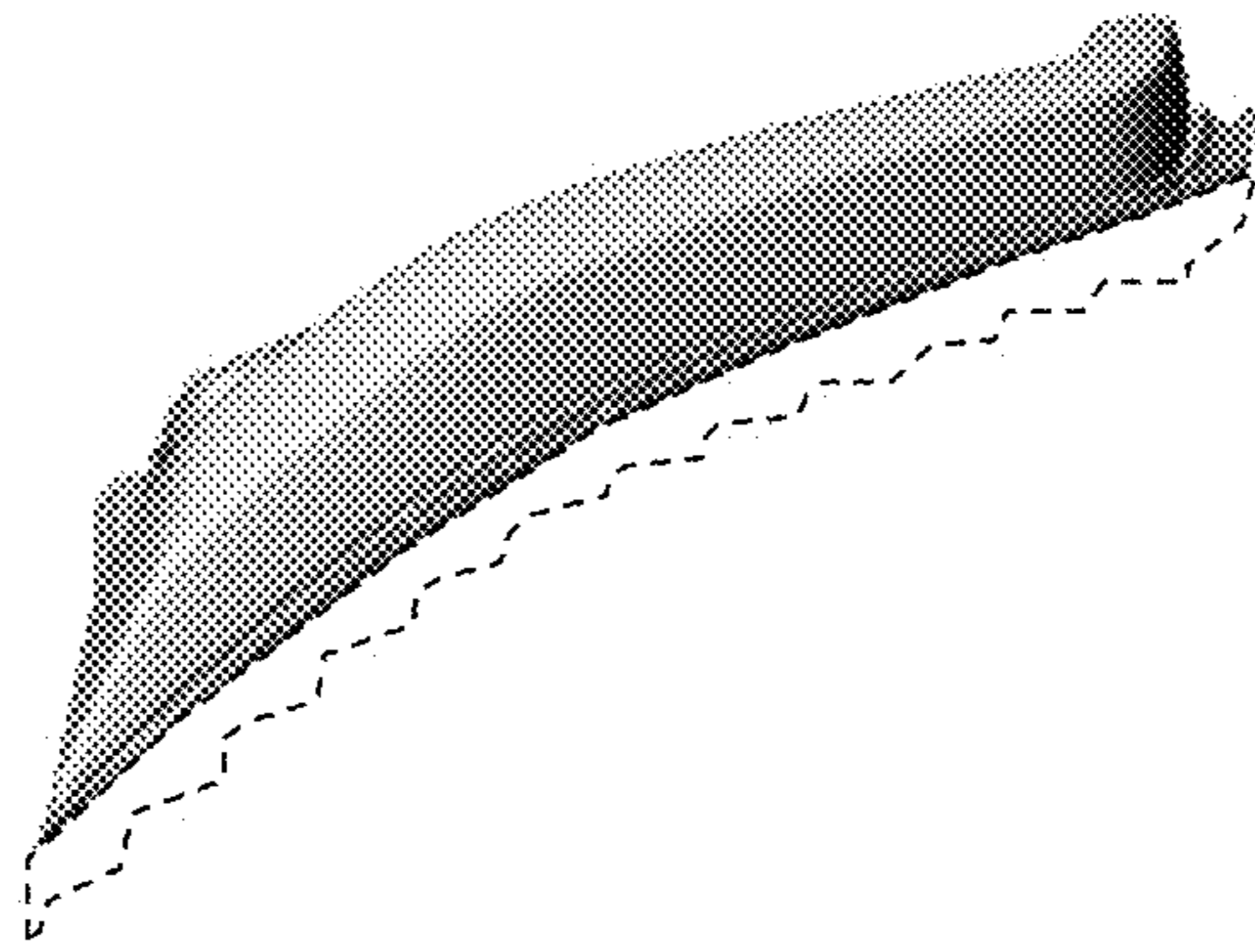


FIG. 4

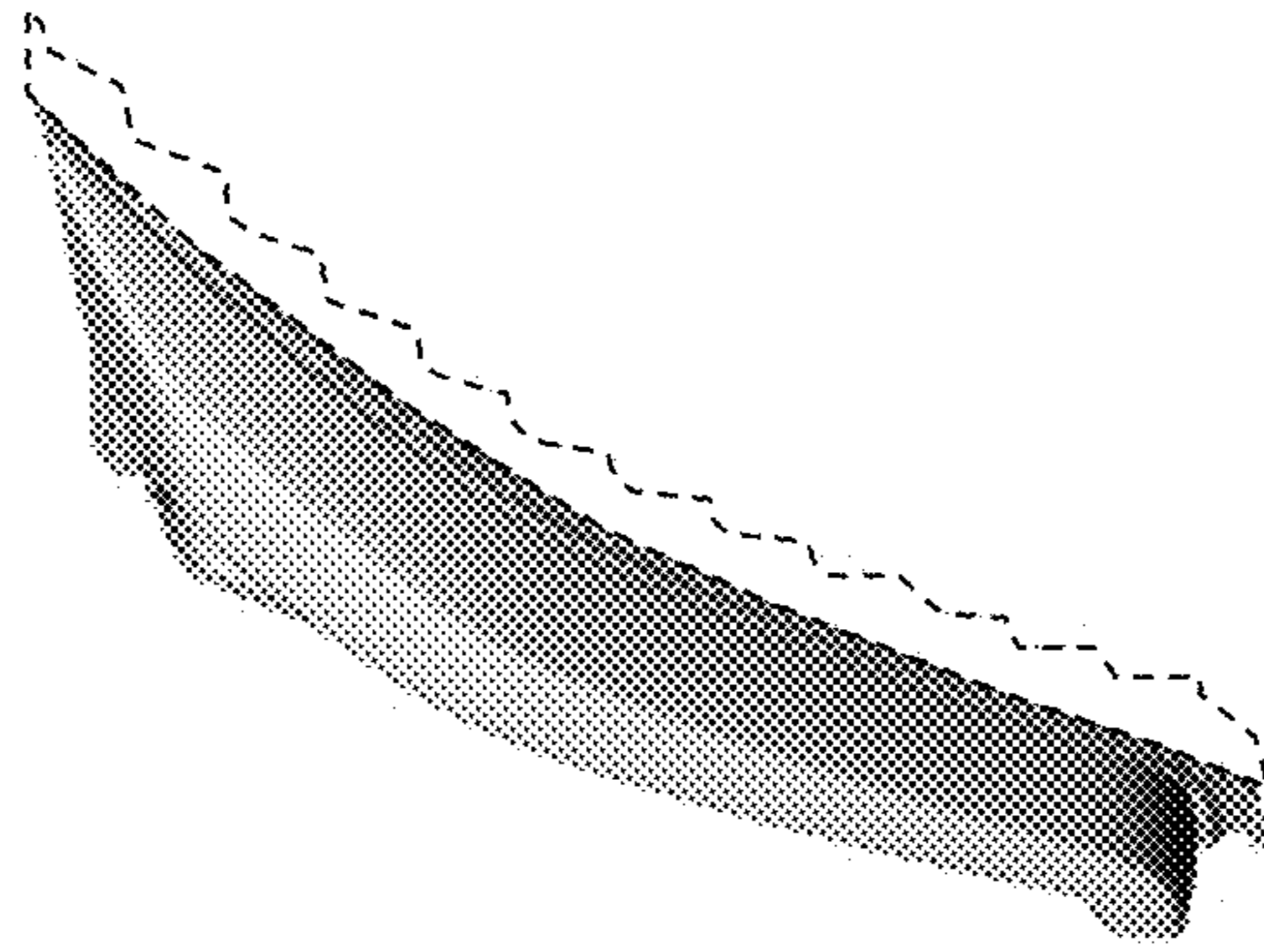


FIG. 5

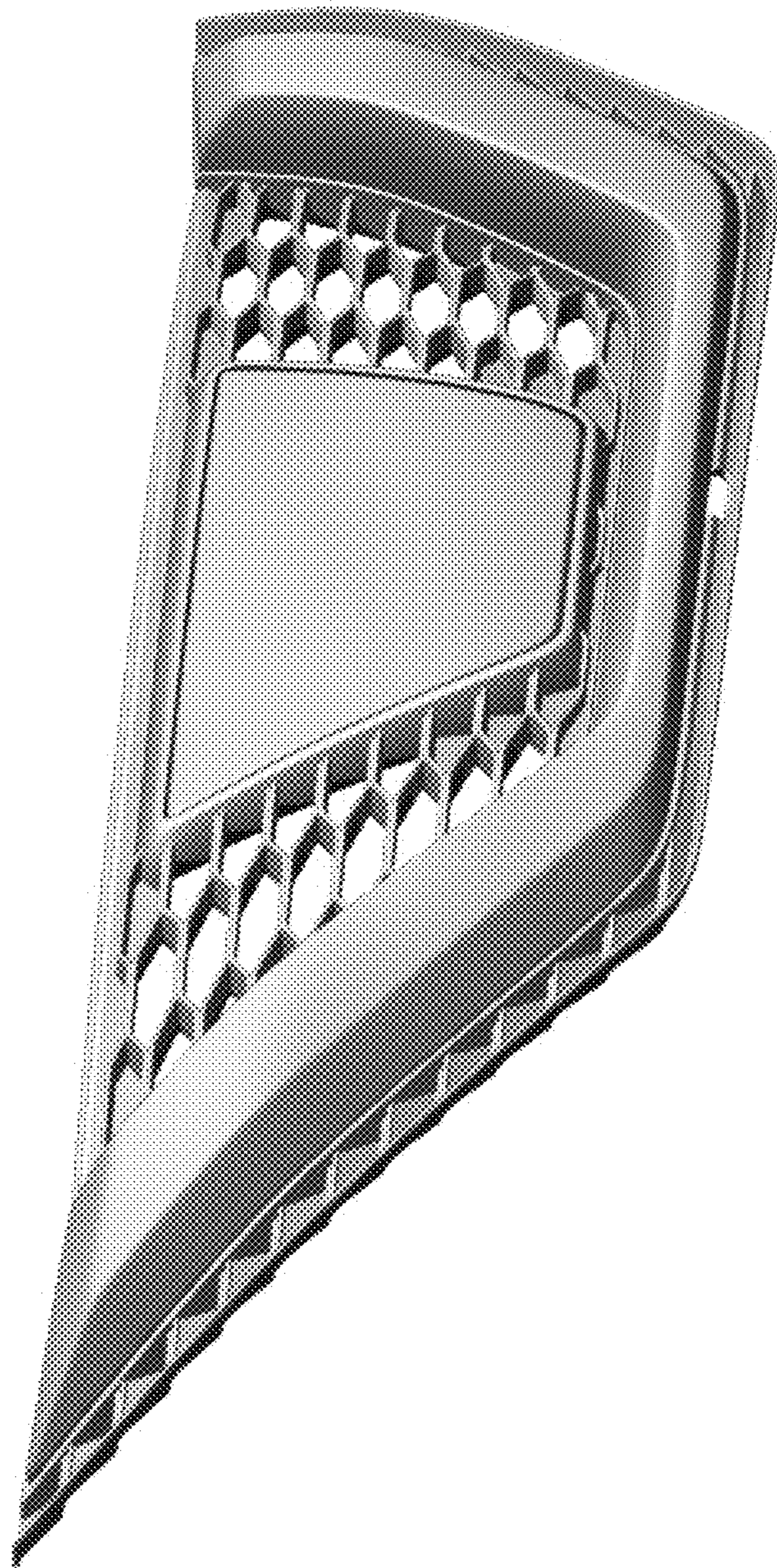


FIG. 6

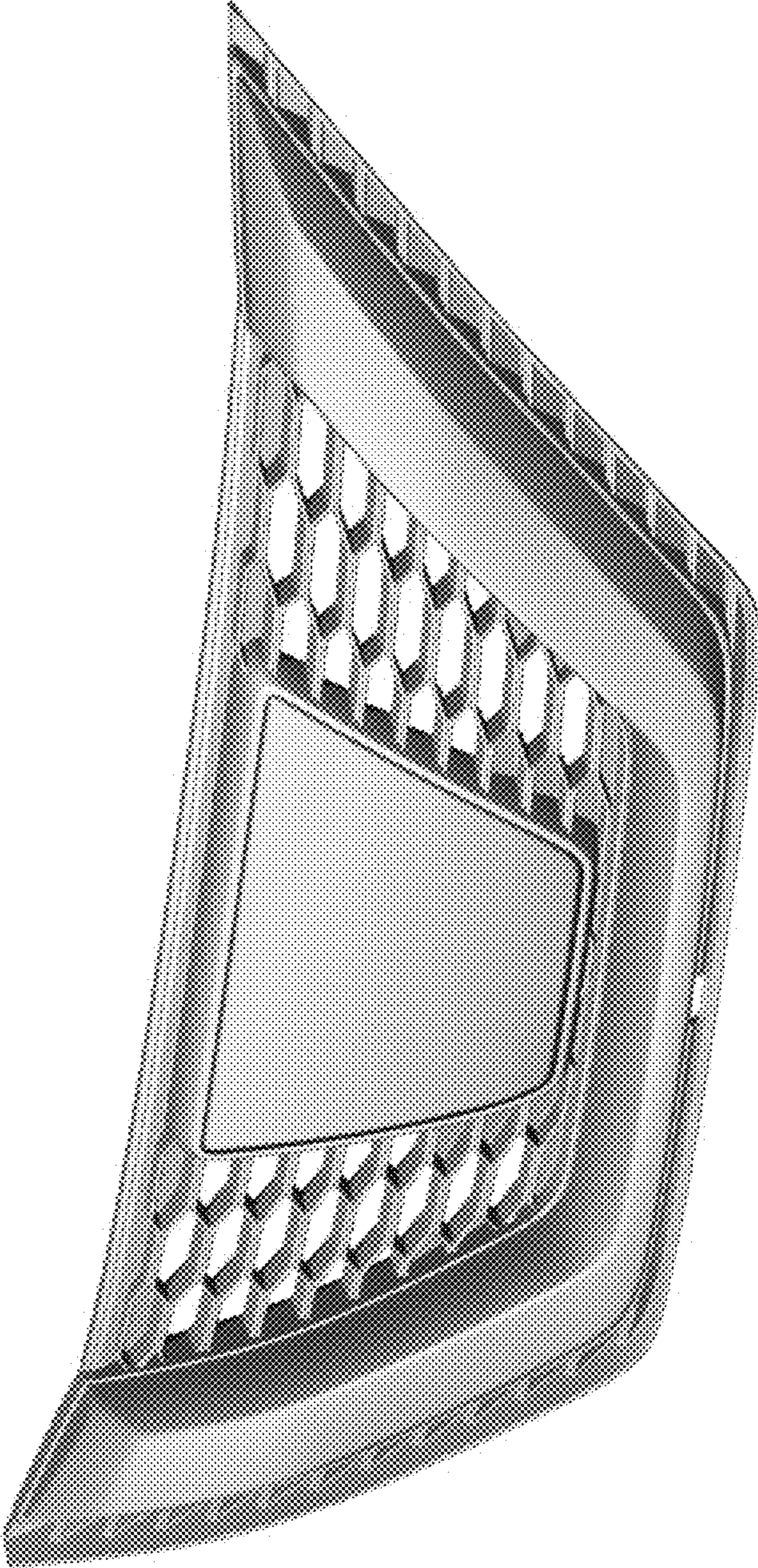


FIG. 7

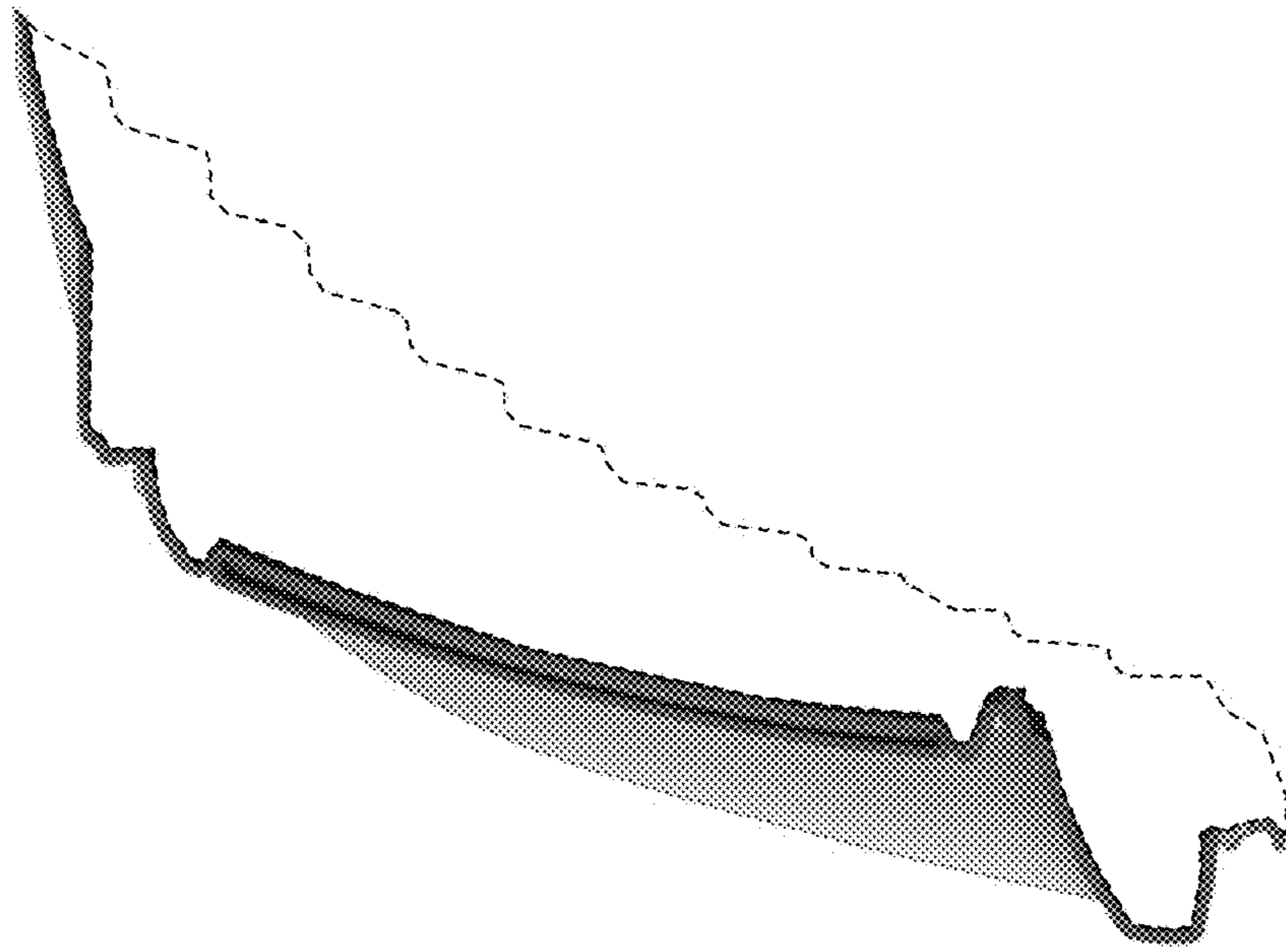


FIG. 8