



US00D830246S

(12) **United States Design Patent**
Yoshimine et al.

(10) **Patent No.:** **US D830,246 S**

(45) **Date of Patent:** **** Oct. 9, 2018**

(54) **AUTOMOBILE**

(71) Applicant: **mitsubishi JIDOSHA KOGYO
KABUSHIKI KAISHA, Tokyo (JP)**

(72) Inventors: **Norihiko Yoshimine, Tokyo (JP);
Atsushi Goto, Tokyo (JP)**

(73) Assignee: **mitsubishi JIDOSHA KOGYO
KABUSHIKI KAISHA, Tokyo (JP)**

(**) Term: **15 Years**

(21) Appl. No.: **29/597,934**

(22) Filed: **Mar. 21, 2017**

(30) **Foreign Application Priority Data**

Sep. 22, 2016 (JP) 2016-020408

(51) **LOC (11) Cl.** **12-16**

(52) **U.S. Cl.**
USPC **D12/164**

(58) **Field of Classification Search**
USPC D12/86, 90-92, 88, 164; D21/421, 433,
D21/434; 296/181.1, 181.5
CPC B62D 35/00; B62D 25/00; B62D 25/06;
B62D 33/00
See application file for complete search history.

(56) **References Cited**

U.S. PATENT DOCUMENTS

D584,996 S * 1/2009 Jamieson D12/91
D683,264 S * 5/2013 Kanazawa D12/91

D695,645 S * 12/2013 Tase D12/91
D697,834 S * 1/2014 Okue D12/91
D719,875 S * 12/2014 Jang D12/91
D755,676 S * 5/2016 Yoshimine D12/91
D793,920 S * 8/2017 Cartabiano D12/164
D804,369 S * 12/2017 Akita D12/164

* cited by examiner

Primary Examiner — Melody N Brown

(74) *Attorney, Agent, or Firm* — Birch, Stewart, Kolasch
& Birch, LLP

(57) **CLAIM**

The ornamental design for an automobile, as shown and described.

DESCRIPTION

FIG. 1 is a front and right side perspective view of an automobile showing our new design;
FIG. 2 is a rear and right side perspective view thereof;
FIG. 3 is a right side view thereof;
FIG. 4 is a left side view thereof;
FIG. 5 is a front view thereof;
FIG. 6 is a rear view thereof;
FIG. 7 is a top view thereof; and,
FIG. 8 is a bottom view thereof.
The broken line showing the automobile is included for the purpose of illustrating portions of the automobile and forms no part of the claimed design.

1 Claim, 4 Drawing Sheets

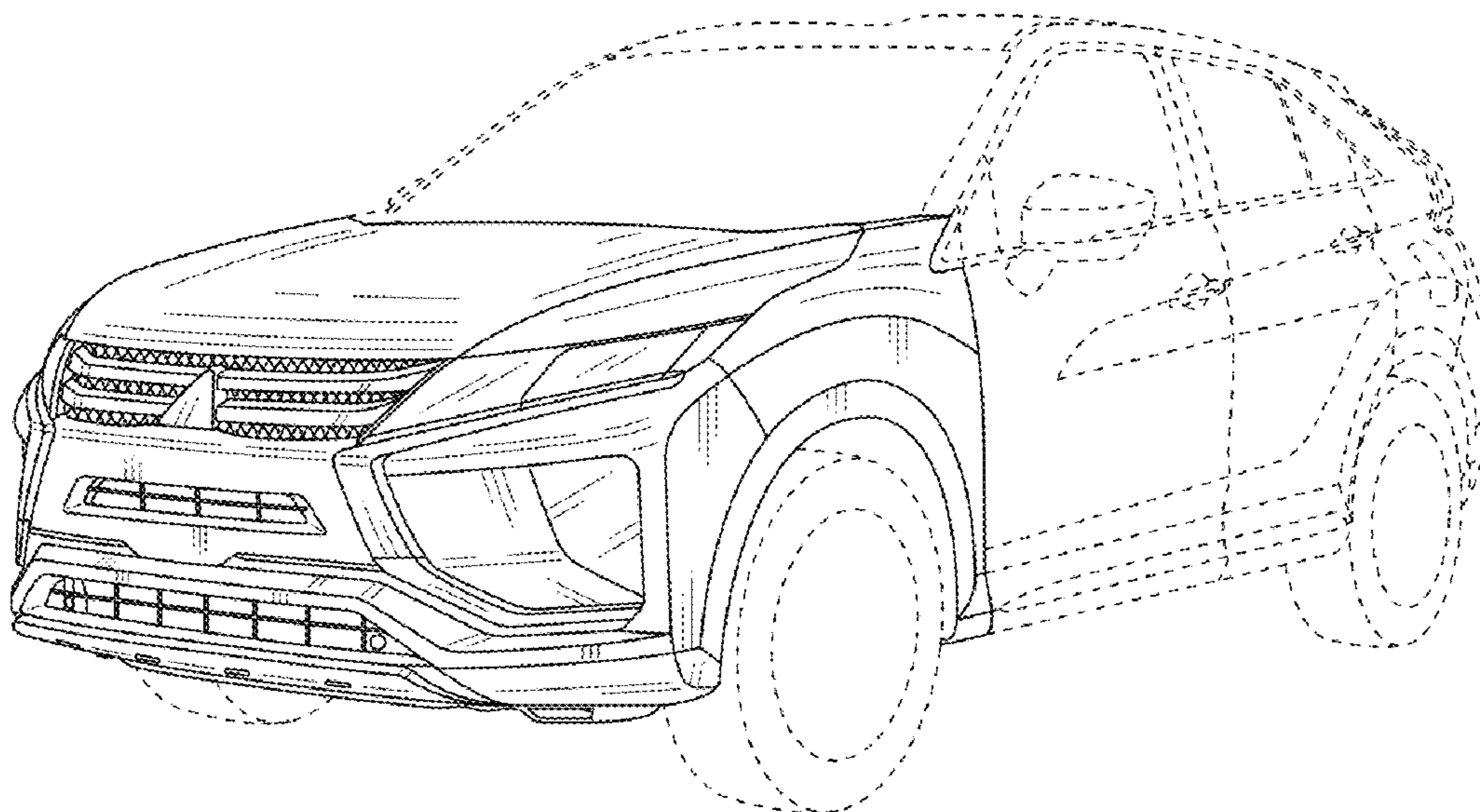


Fig. 1

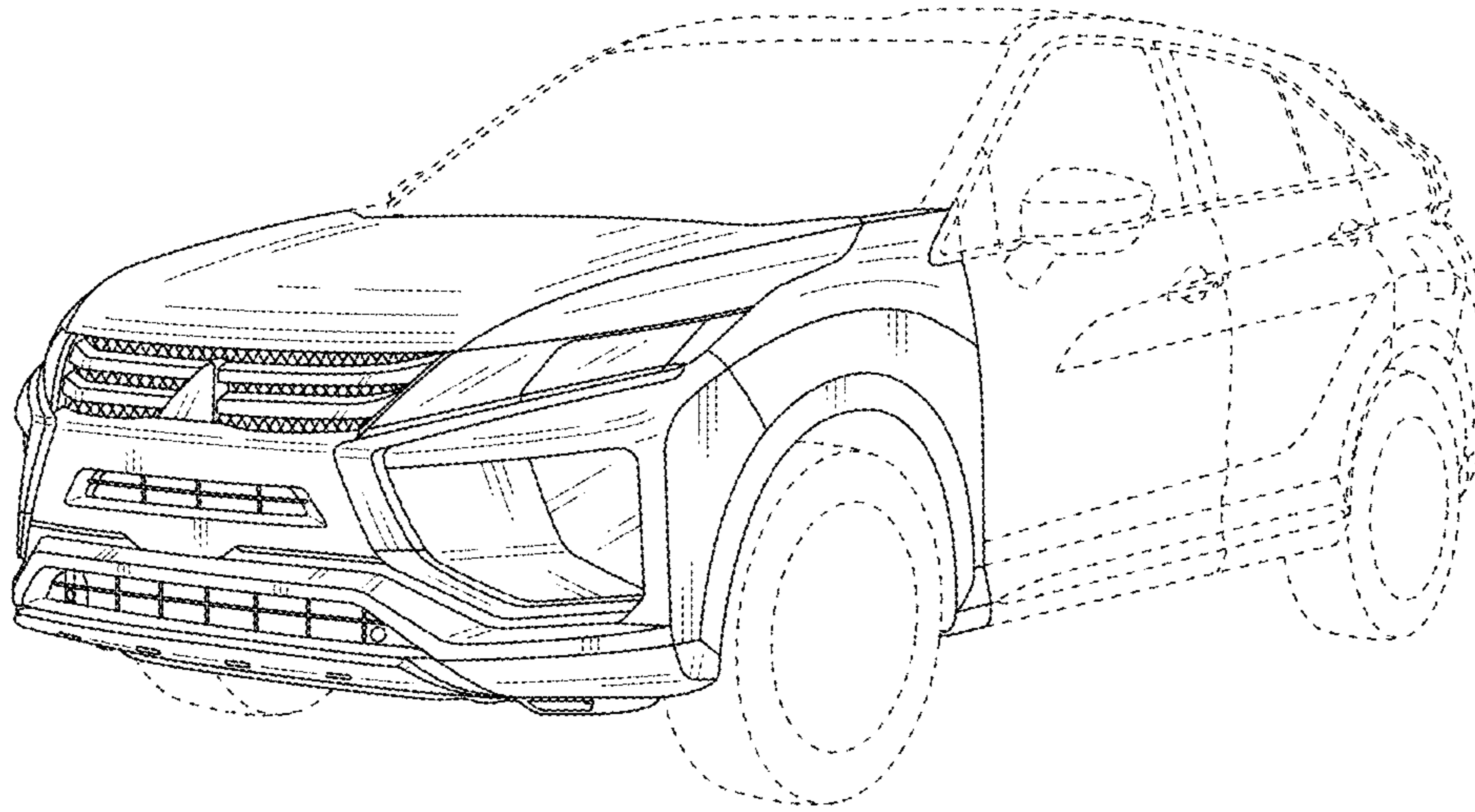


Fig. 2

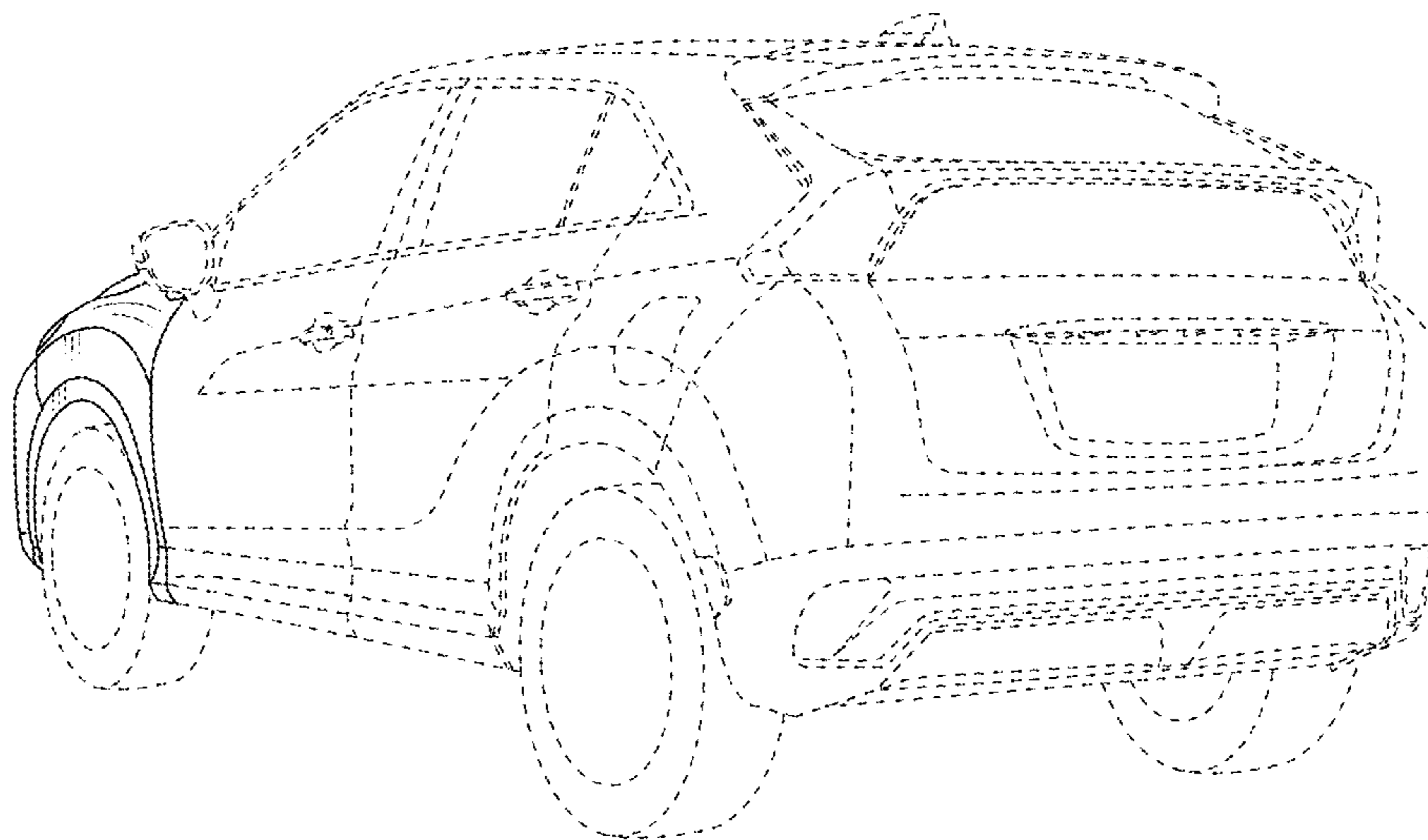


Fig. 3

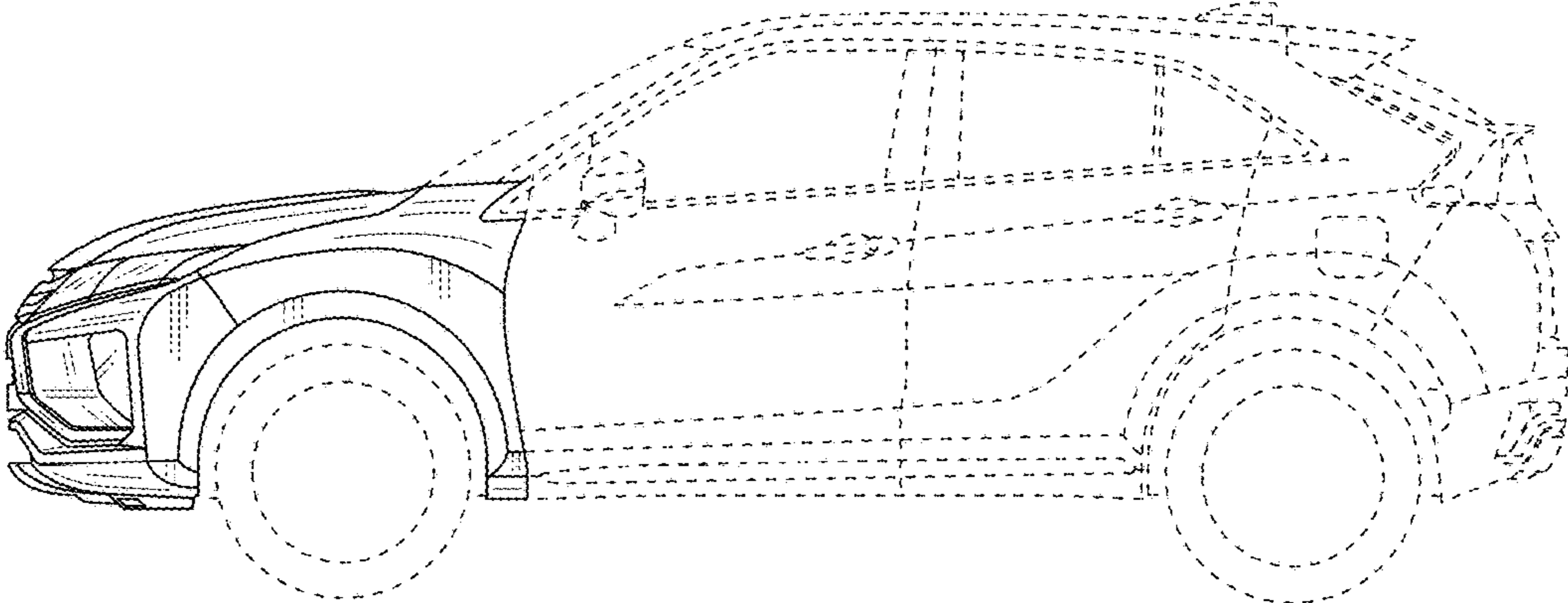


Fig. 4

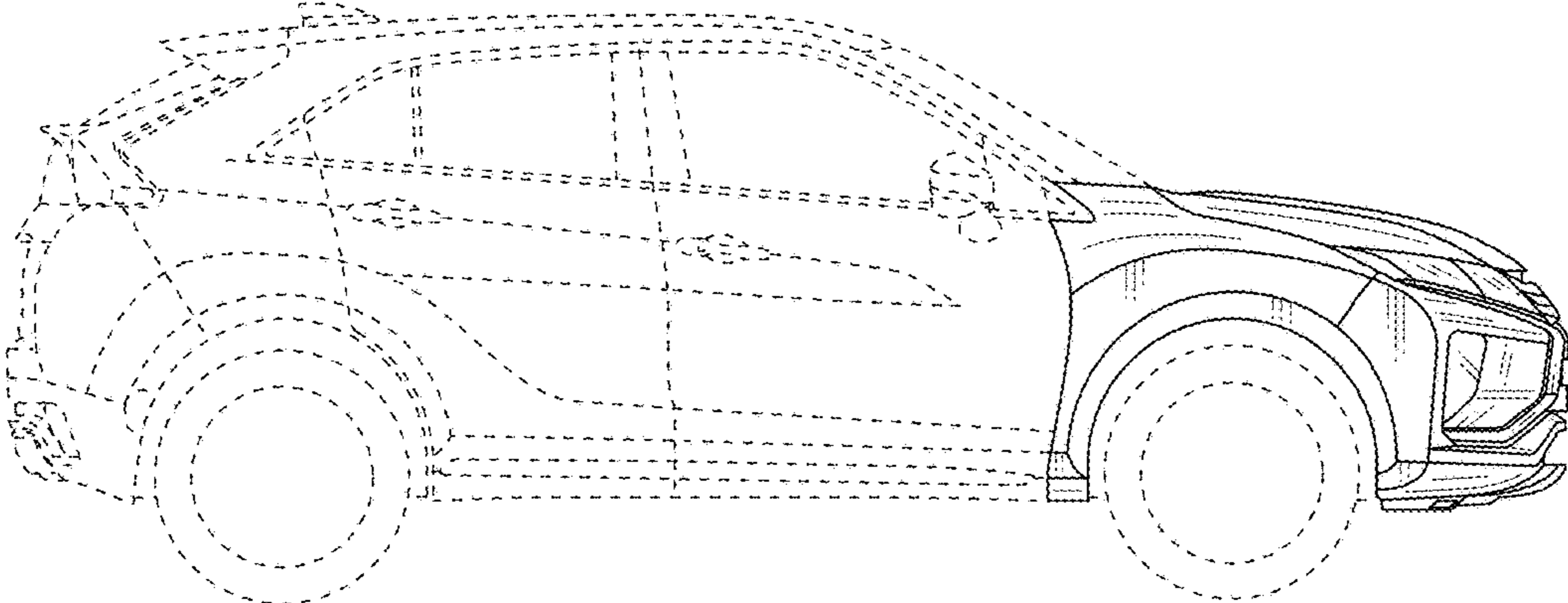


Fig. 5

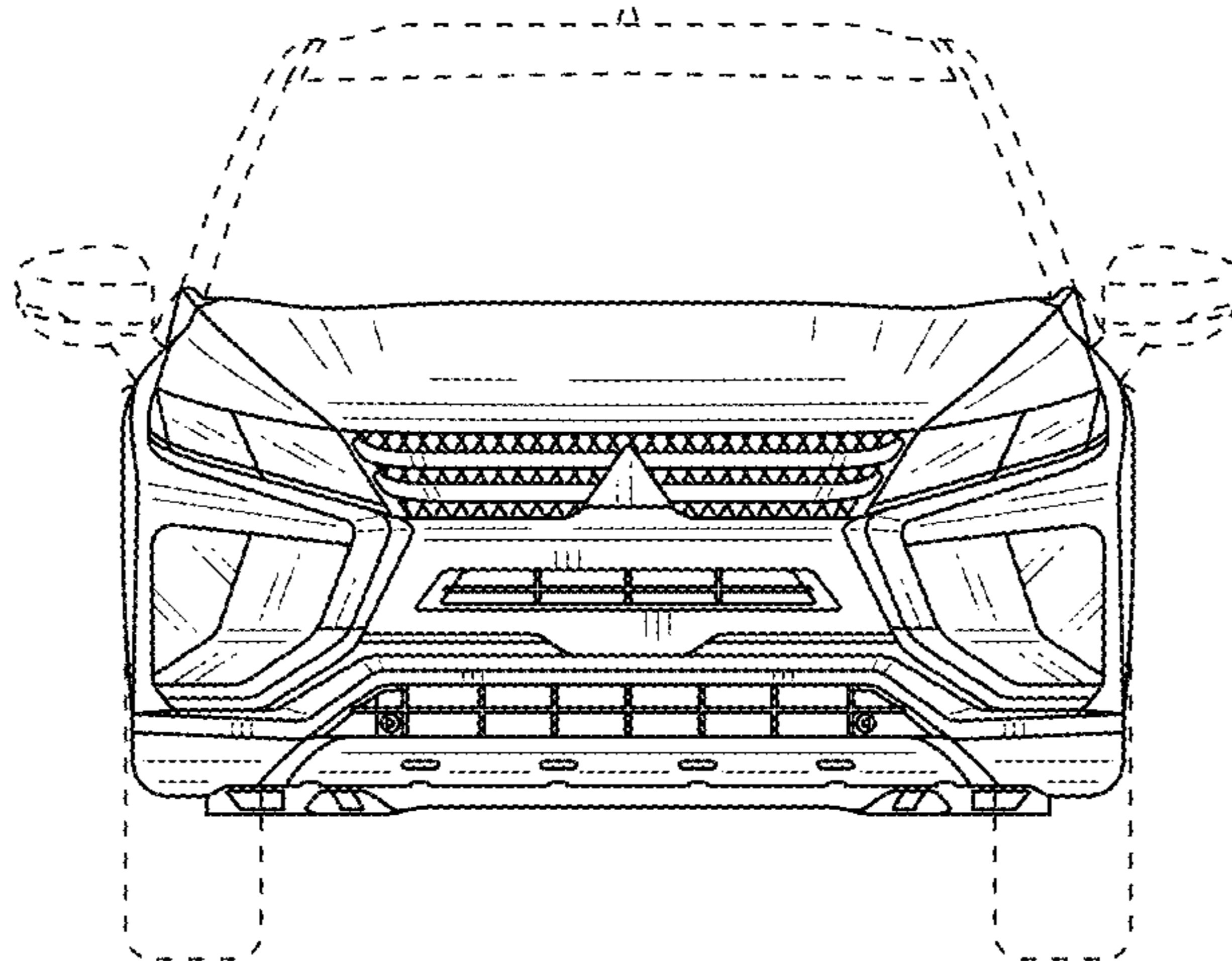


Fig. 6

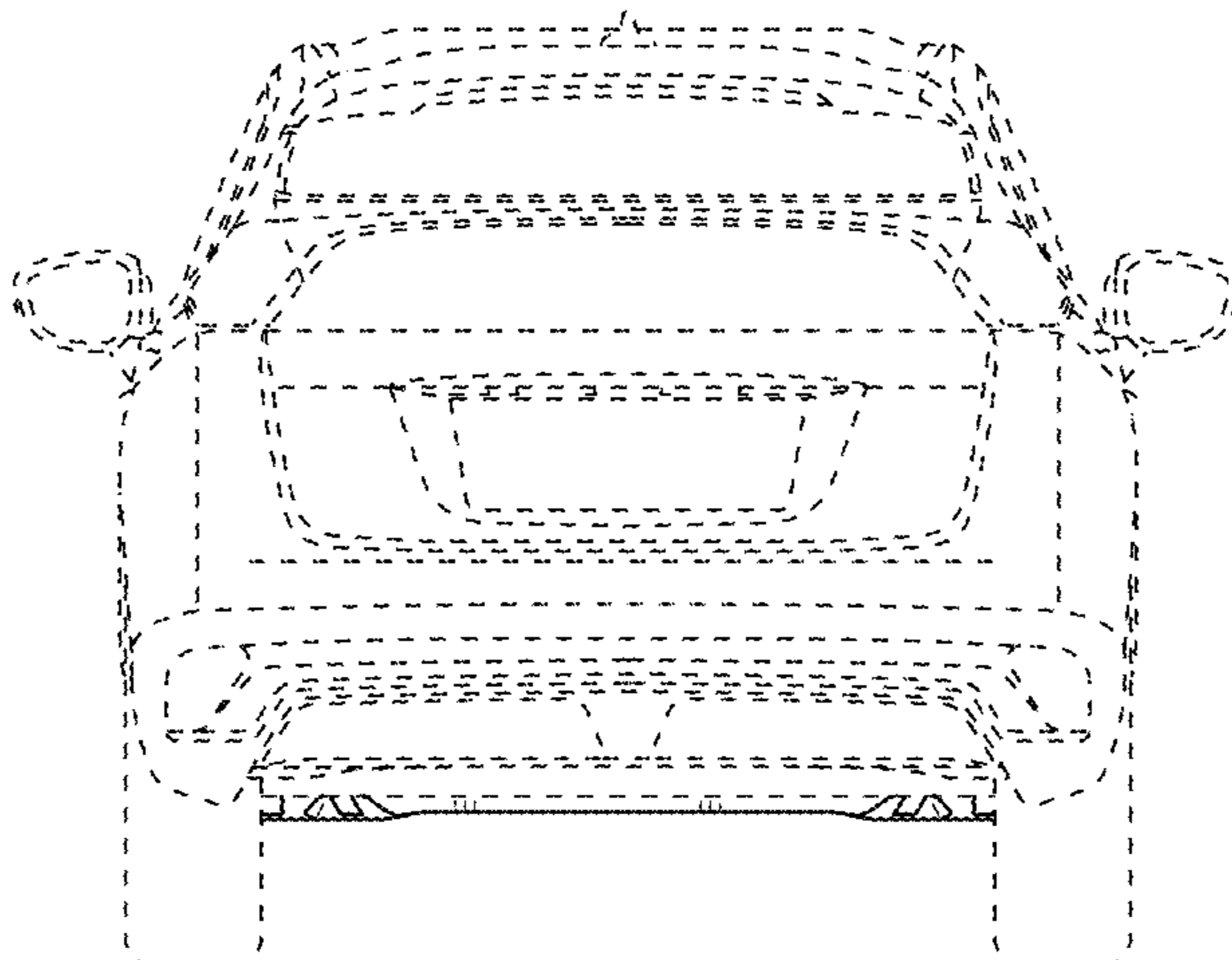


Fig. 7

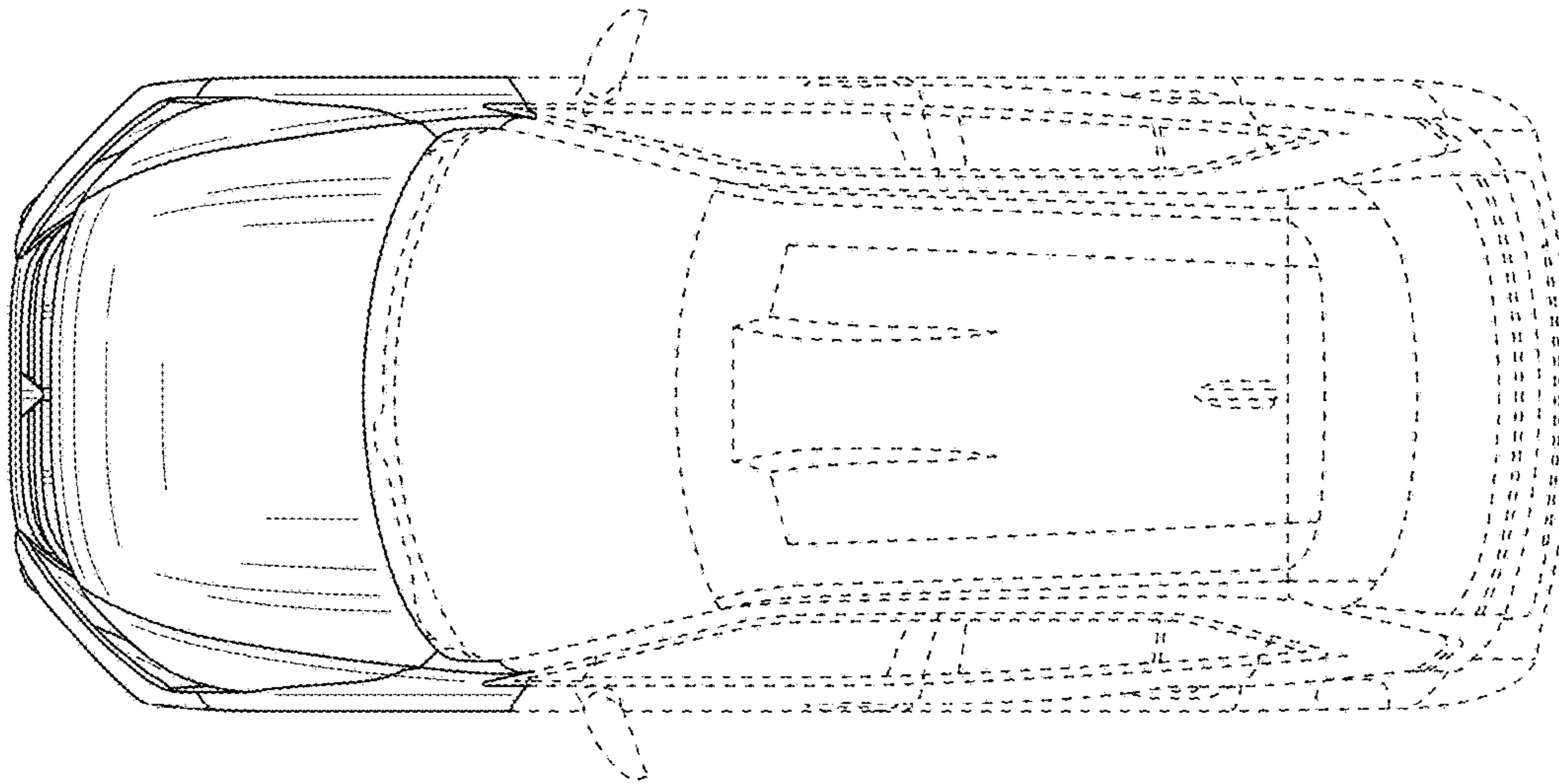


Fig. 8

