



US00D830240S

(12) **United States Design Patent** (10) **Patent No.:** **US D830,240 S**
Hallgren (45) **Date of Patent:** **** Oct. 9, 2018**

(54) **GRILLE FOR VEHICLE**
(71) Applicant: **Volvo Construction Equipment AB**,
Eskilstuna (SE)
(72) Inventor: **Michael Hallgren**, Pixbo (SE)
(73) Assignee: **Volvo Construction Equipment AB**,
Eskilstuna (SE)
(**) Term: **15 Years**
(21) Appl. No.: **29/599,755**
(22) Filed: **Apr. 6, 2017**

(30) **Foreign Application Priority Data**
Apr. 6, 2017 (EM) 003844380
Apr. 6, 2017 (EM) 003844406
Apr. 6, 2017 (EM) 003844638

(51) **LOC (11) Cl.** **12-16**
(52) **U.S. Cl.**
USPC **D12/163**
(58) **Field of Classification Search**
USPC D12/86, 88, 90-92, 163, 169, 173, 196
CPC B62B 9/16; B60K 11/08; B60R 19/52
See application file for complete search history.

(56) **References Cited**
U.S. PATENT DOCUMENTS
D343,145 S * 1/1994 Harbury D12/92
D405,037 S * 2/1999 Meryman D12/163
D467,202 S * 12/2002 Mondragon Sarmiento .. D12/96
D472,850 S * 4/2003 Frasher D12/91
D486,102 S * 2/2004 Perfetti D12/163
D500,268 S * 12/2004 Otto D12/163
D501,808 S * 2/2005 Otto D12/163
D541,194 S * 4/2007 Levy D12/92
D545,735 S * 7/2007 Angelo D12/173
D551,133 S * 9/2007 Angelo D12/163

D551,599 S * 9/2007 Simons D12/163
D551,600 S * 9/2007 Simons D12/163
D577,316 S * 9/2008 Rosen D12/163
D609,140 S * 2/2010 Iwasaki D12/163
D619,053 S * 7/2010 Mattin D12/163
D640,175 S * 6/2011 Villamizar D12/163
D655,226 S * 3/2012 Hanson D12/163
D691,929 S * 10/2013 Betancourt D12/163
D729,134 S * 5/2015 Hanson D12/163
D742,287 S * 11/2015 Hanson D12/163
D746,184 S * 12/2015 Hanson D12/163
D775,020 S * 12/2016 Frykholm D12/173
D790,410 S * 6/2017 Ito D12/163
D821,934 S * 7/2018 Yates D12/163

(Continued)

OTHER PUBLICATIONS

Images of Volvo Construction Equipment Hauler Model A45G,
disclosed at Bauma Trade Fair, Munich, Germany, Apr. 11-17, 2016.
(Continued)

Primary Examiner — Robin V Webster
Assistant Examiner — Rachel A Voorhies
(74) *Attorney, Agent, or Firm* — Tucker Ellis LLP

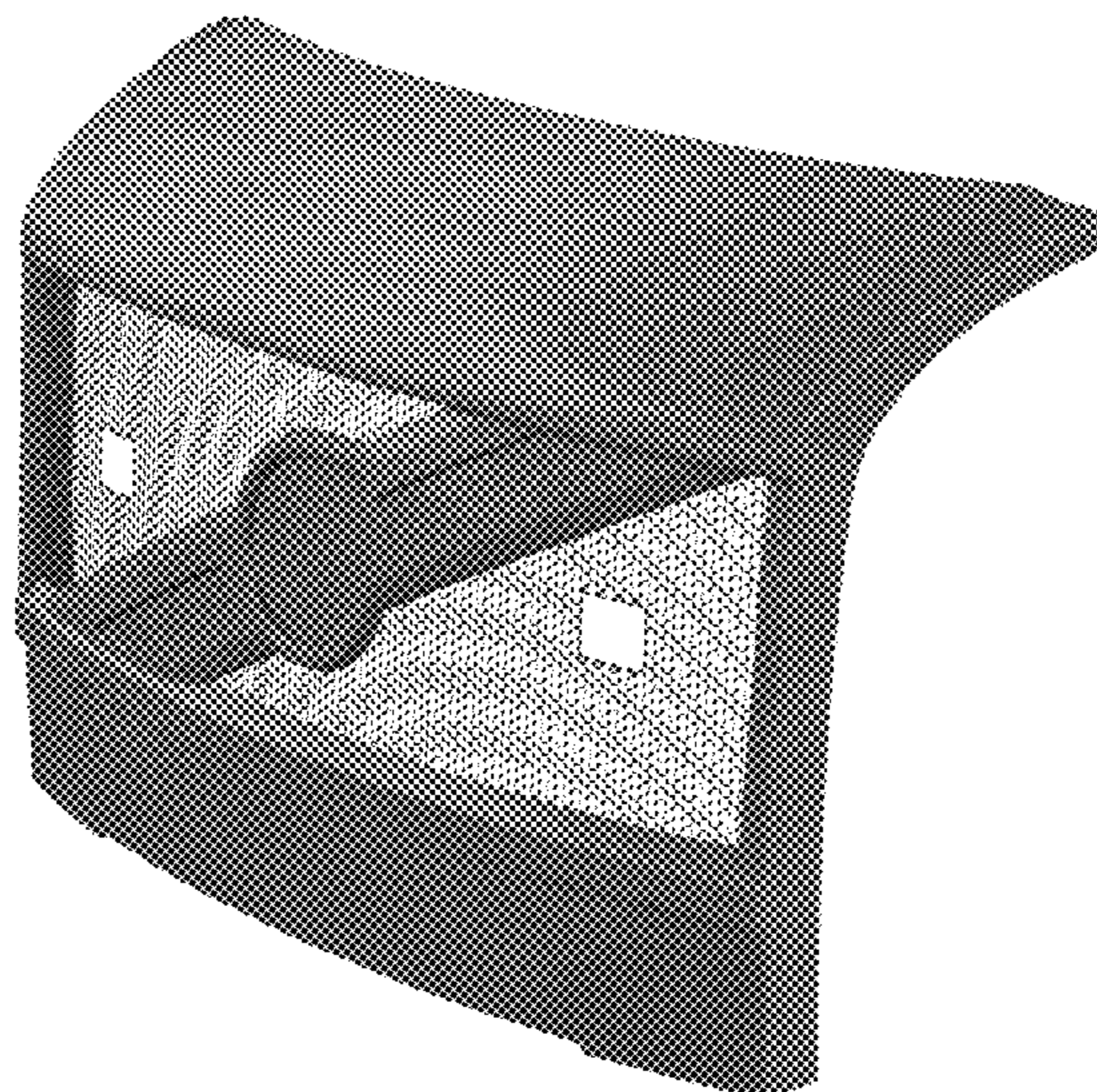
(57) **CLAIM**

The ornamental design for a grille for vehicle, as shown and
described.

DESCRIPTION

FIG. 1 is a right perspective view of a grille for vehicle
showing my new design.
FIG. 2 is left perspective view thereof.
FIG. 3 is a front view thereof.
FIG. 4 is a right side view thereof.
FIG. 5 is a left side view thereof.
FIG. 6 is a top view thereof.
FIG. 7 is a rear view thereof; and,
FIG. 8 is a bottom view thereof.

1 Claim, 6 Drawing Sheets



(56)

References Cited

U.S. PATENT DOCUMENTS

D823,184 S * 7/2018 Yates D12/163
D823,185 S * 7/2018 Yates D12/163
2013/0025954 A1* 1/2013 Miller B62D 25/10
180/69.21

OTHER PUBLICATIONS

Product Brochure for Volvo Construction Equipment Hauler Model A45G, dated Oct. 2016.

Images of Volvo Construction Equipment Excavator Model EC950E, disclosed at Bauma Trade Fair, Munich, Germany, Apr. 11-17, 2016.

Images of Volvo Construction Equipment Excavator Model EC750E, disclosed to public May 2016.

* cited by examiner

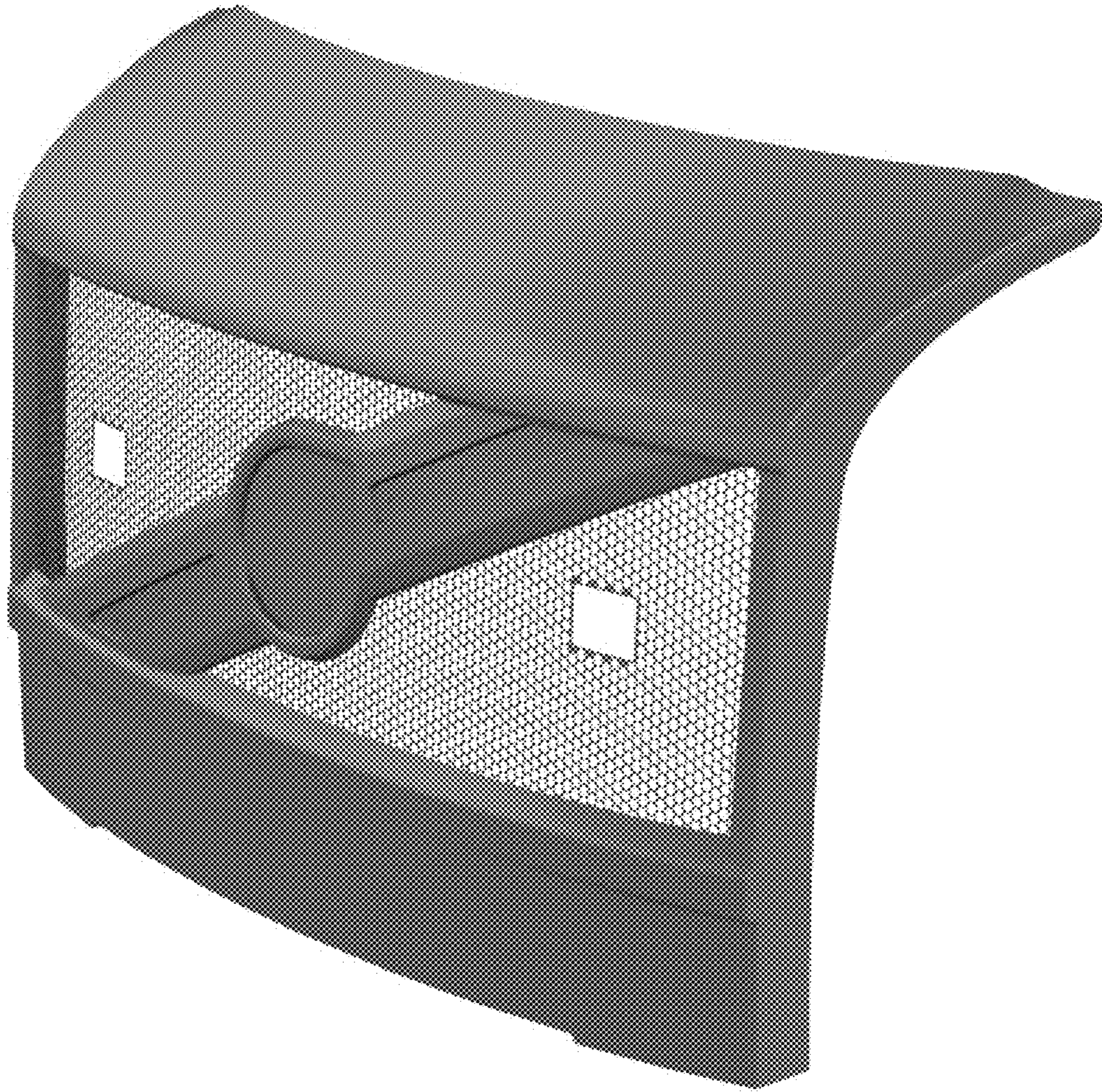


FIG. 1

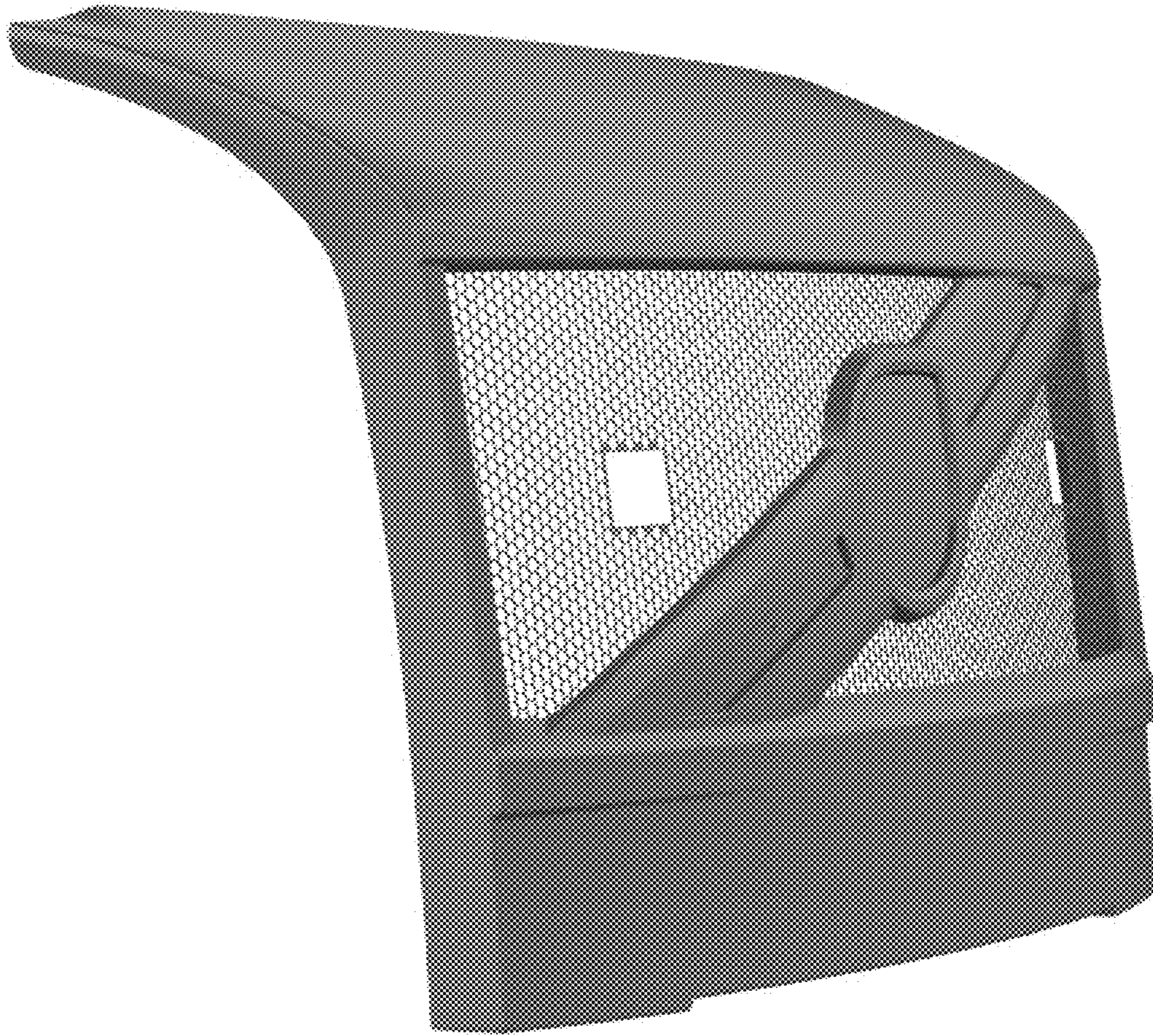


FIG. 2

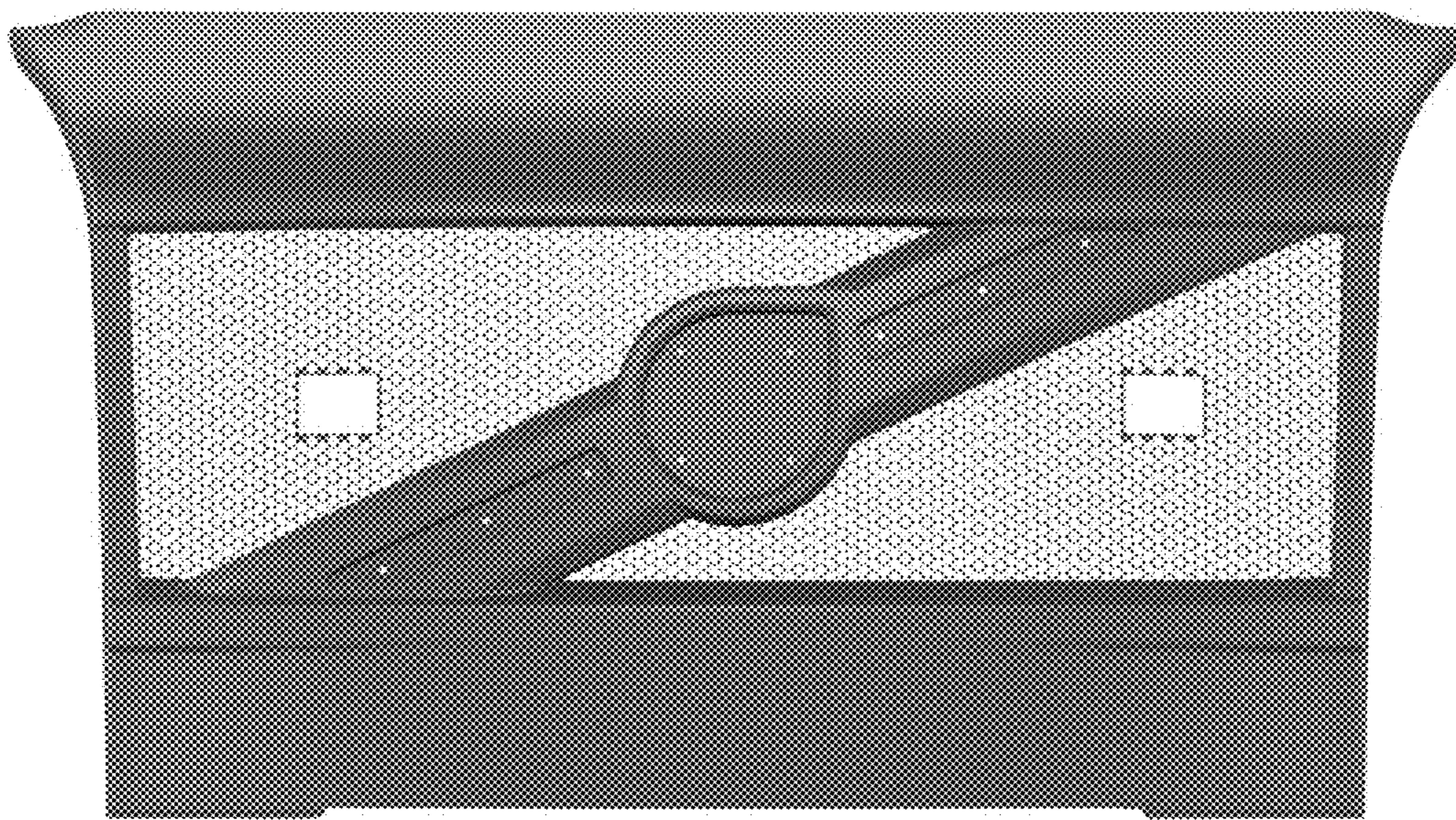


FIG. 3

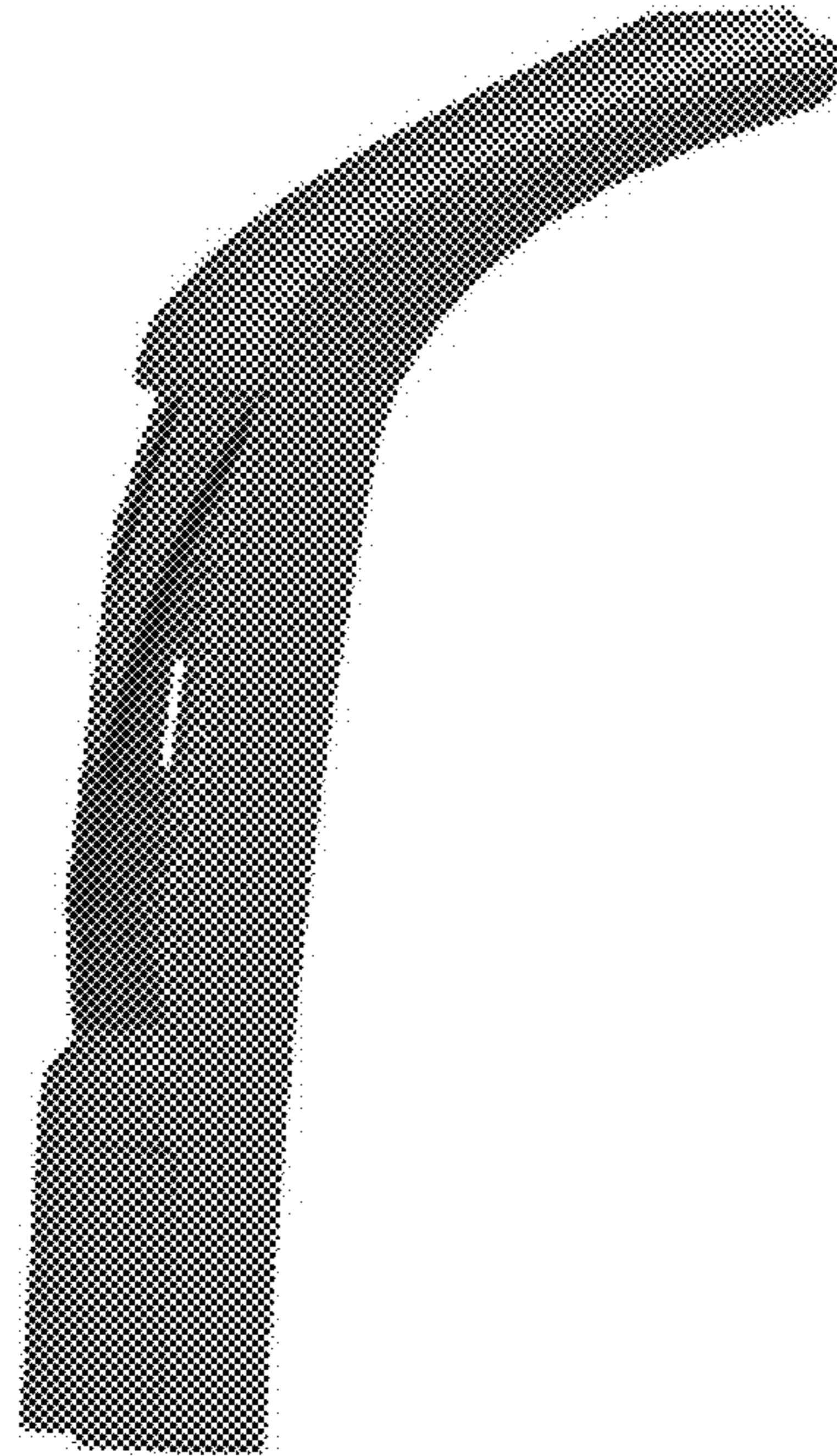


FIG. 4

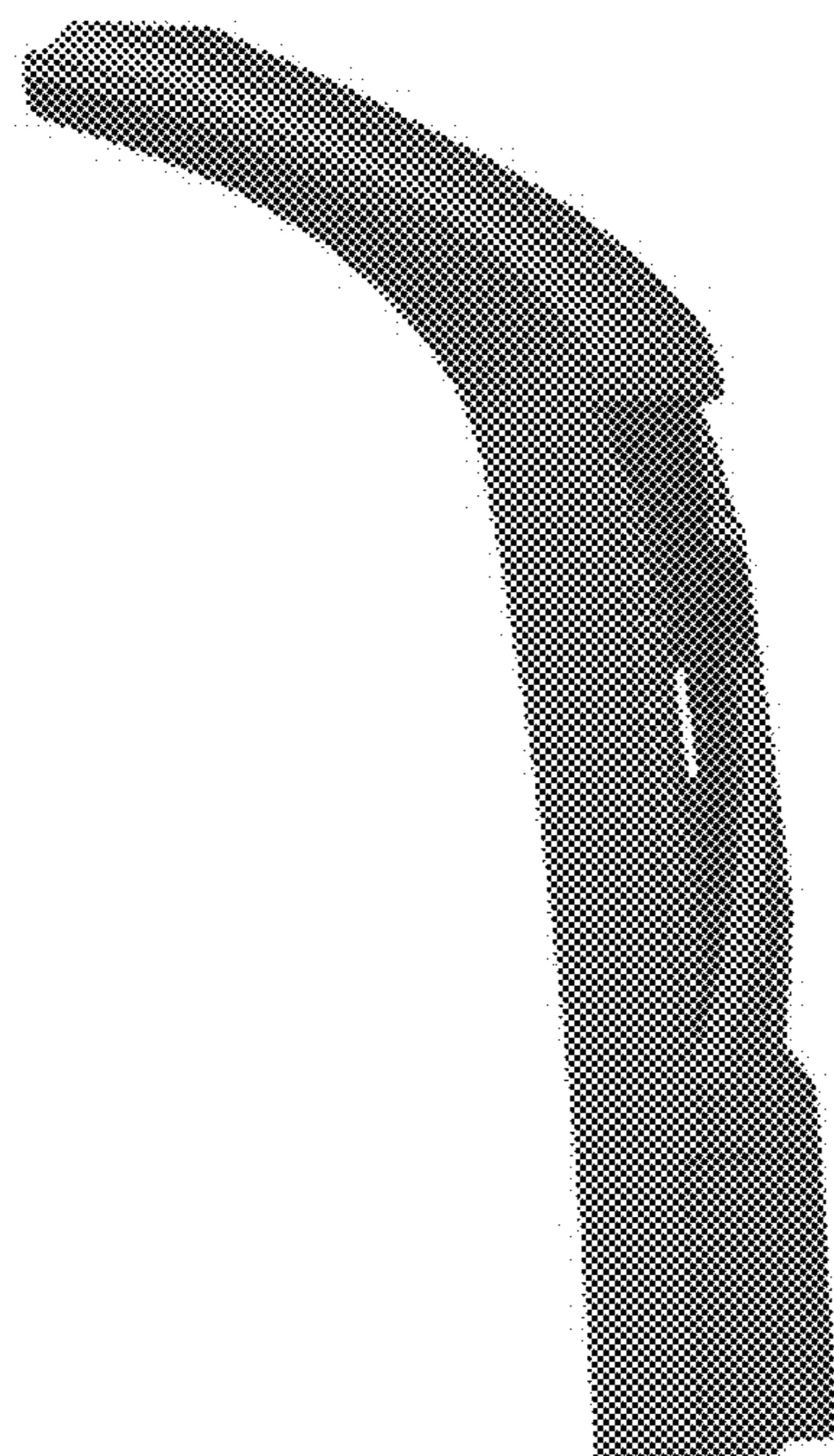


FIG. 5

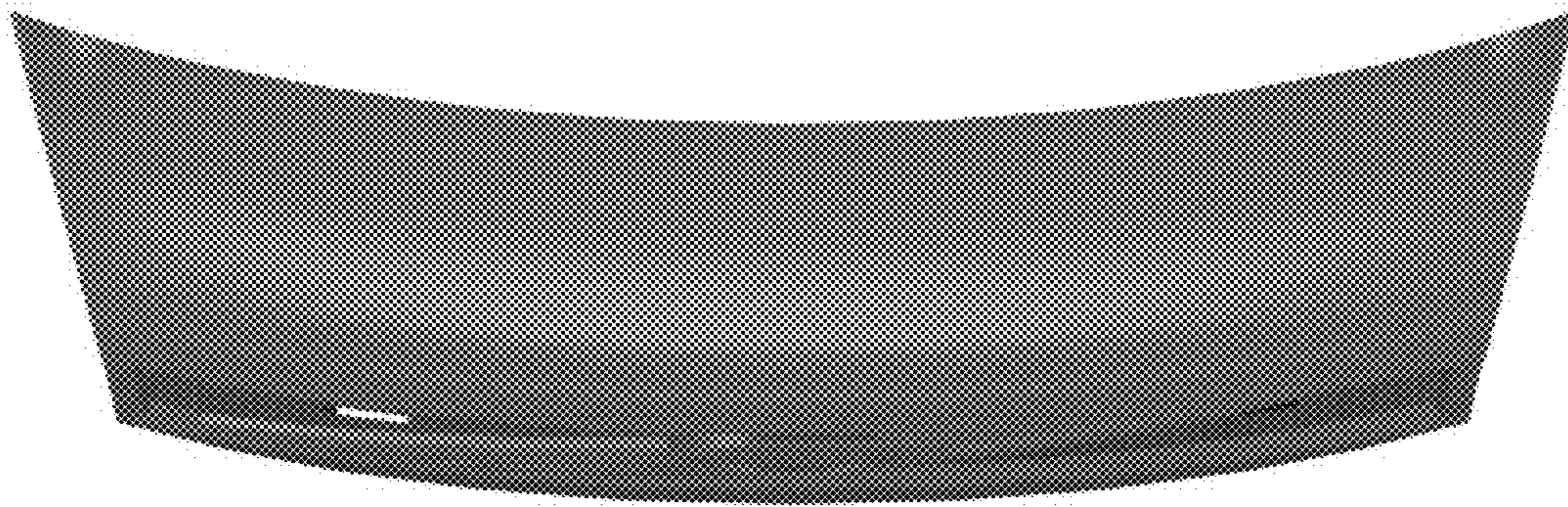


FIG. 6

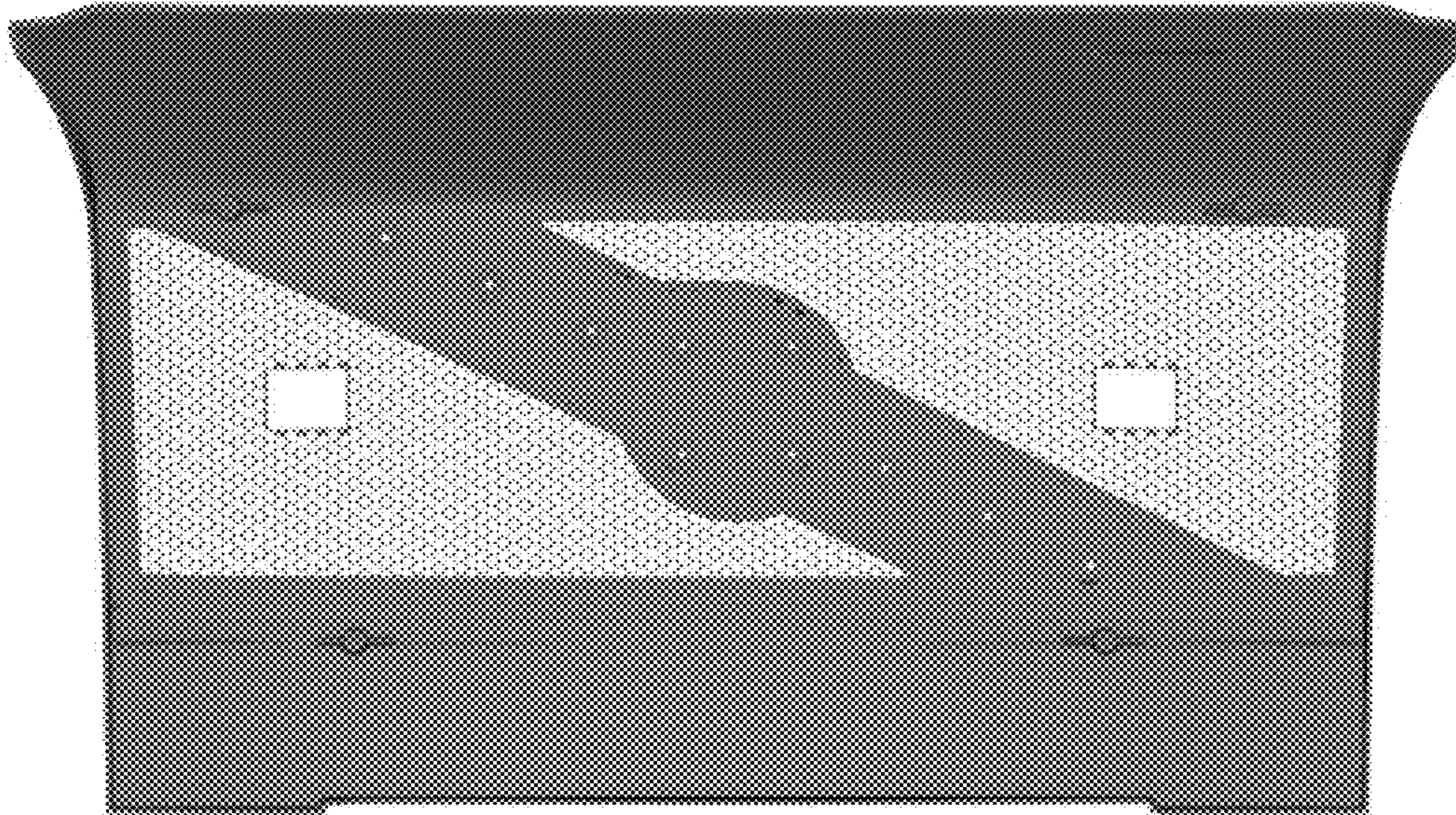


FIG. 7

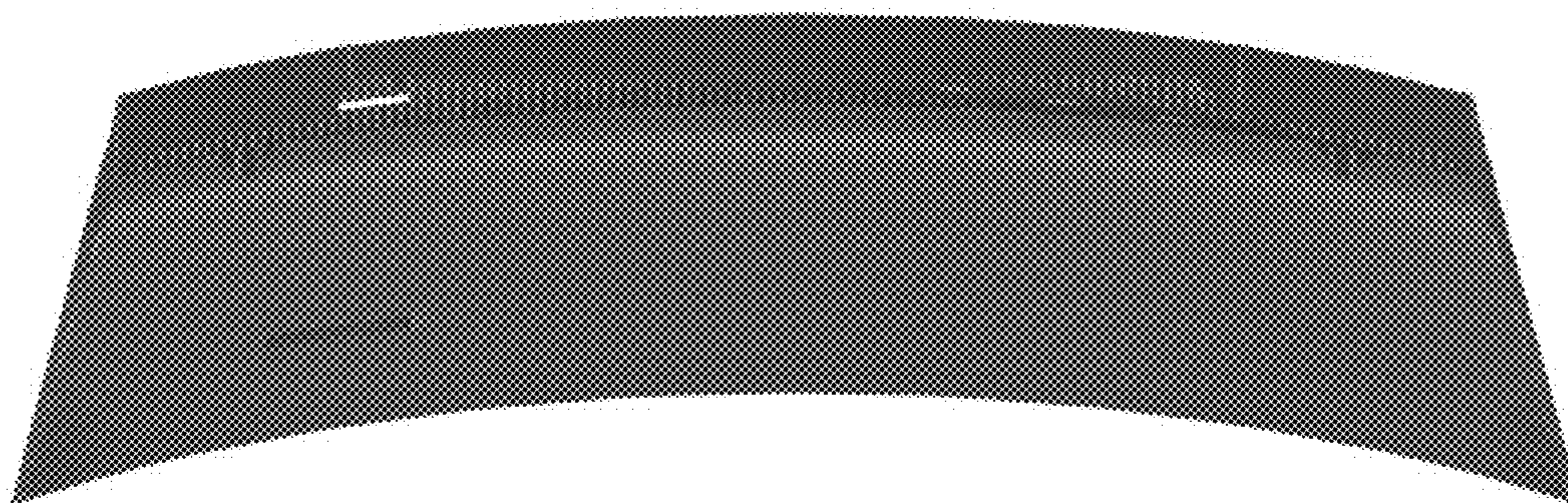


FIG. 8