



US00D830239S

(12) **United States Design Patent** (10) **Patent No.:** **US D830,239 S**
Behmer et al. (45) **Date of Patent:** **** Oct. 9, 2018**

(54) **VEHICLE FRONT CORNER GRILLE**
(71) Applicant: **Ford Global Technologies, LLC**,
Dearborn, MI (US)
(72) Inventors: **Darrell P. Behmer**, Novi, MI (US);
Melvin Betancourt, Shelby Twp, MI
(US); **Craig S. Metros**, Bloomfield, MI
(US); **Christopher Stevens**, Detroit, MI
(US)
(73) Assignee: **Ford Global Technologies, LLC**,
Dearborn, MI (US)

D668,590 S * 10/2012 Furst D12/163
D678,133 S * 3/2013 Behmer et al.
D687,751 S * 8/2013 Futschik D12/163
D701,798 S * 4/2014 Futschik D12/164
9,255,718 B1 * 2/2016 Hanks F24F 7/00
D759,551 S * 6/2016 Nakahara D12/163
D769,160 S * 10/2016 Platto D12/163
D783,465 S * 4/2017 Choi D12/163
D789,841 S * 6/2017 Malczewski D12/163
D790,412 S * 6/2017 Dunford D12/163
D790,413 S * 6/2017 Doyle D12/164
D793,918 S * 8/2017 Kozub D12/163
D794,517 S * 8/2017 Woolley D12/163
9,855,981 B1 * 1/2018 Dunford B62D 35/00
2017/0137954 A1 * 5/2017 Hashimoto B60K 11/08

(**) Term: **15 Years**

* cited by examiner

(21) Appl. No.: **29/590,828**

Primary Examiner — Susan Bennett Hattan

(22) Filed: **Jan. 13, 2017**

Assistant Examiner — Suzanne E Tisdell

(51) **LOC (11) Cl.** **12-16**

(74) *Attorney, Agent, or Firm* — James Dottavio

(52) **U.S. Cl.**
USPC **D12/163**

(57) **CLAIM**

(58) **Field of Classification Search**
USPC D12/86, 91, 93, 163, 164, 166, 167, 169,
D12/171, 172, 173, 190, 216
CPC B62D 25/08; B62B 9/16; B60K 11/08;
B60R 19/52

The ornamental design for a vehicle front corner grille, as shown.

See application file for complete search history.

DESCRIPTION

(56) **References Cited**

U.S. PATENT DOCUMENTS

5,632,678 A * 5/1997 Doelfel E04D 13/17
454/366
D496,890 S * 10/2004 Metros D12/163
D497,860 S * 11/2004 Hoelzel D12/196
D540,228 S * 4/2007 Lai D12/190
D540,229 S * 4/2007 Lai D12/190
7,510,469 B2 * 3/2009 Park B60H 1/3428
454/155
D606,468 S * 12/2009 Varga D12/181

FIG. 1 is a top left perspective view of the first embodiment of a vehicle front corner grille, showing our new design; FIG. 2 is a top right perspective view thereof; FIG. 3 is a top rear perspective view thereof; FIG. 4 is a front elevational view thereof; FIG. 5 is a rear elevational view thereof; FIG. 6 is a left side elevational view thereof; FIG. 7 is a right side elevational view thereof; FIG. 8 is a top plan view thereof; and, FIG. 9 is a bottom plan view thereof.

The second embodiment of the vehicle front corner grille is mirror image of the embodiment disclosed in FIGS. 1 through 9, and is not shown.

1 Claim, 9 Drawing Sheets

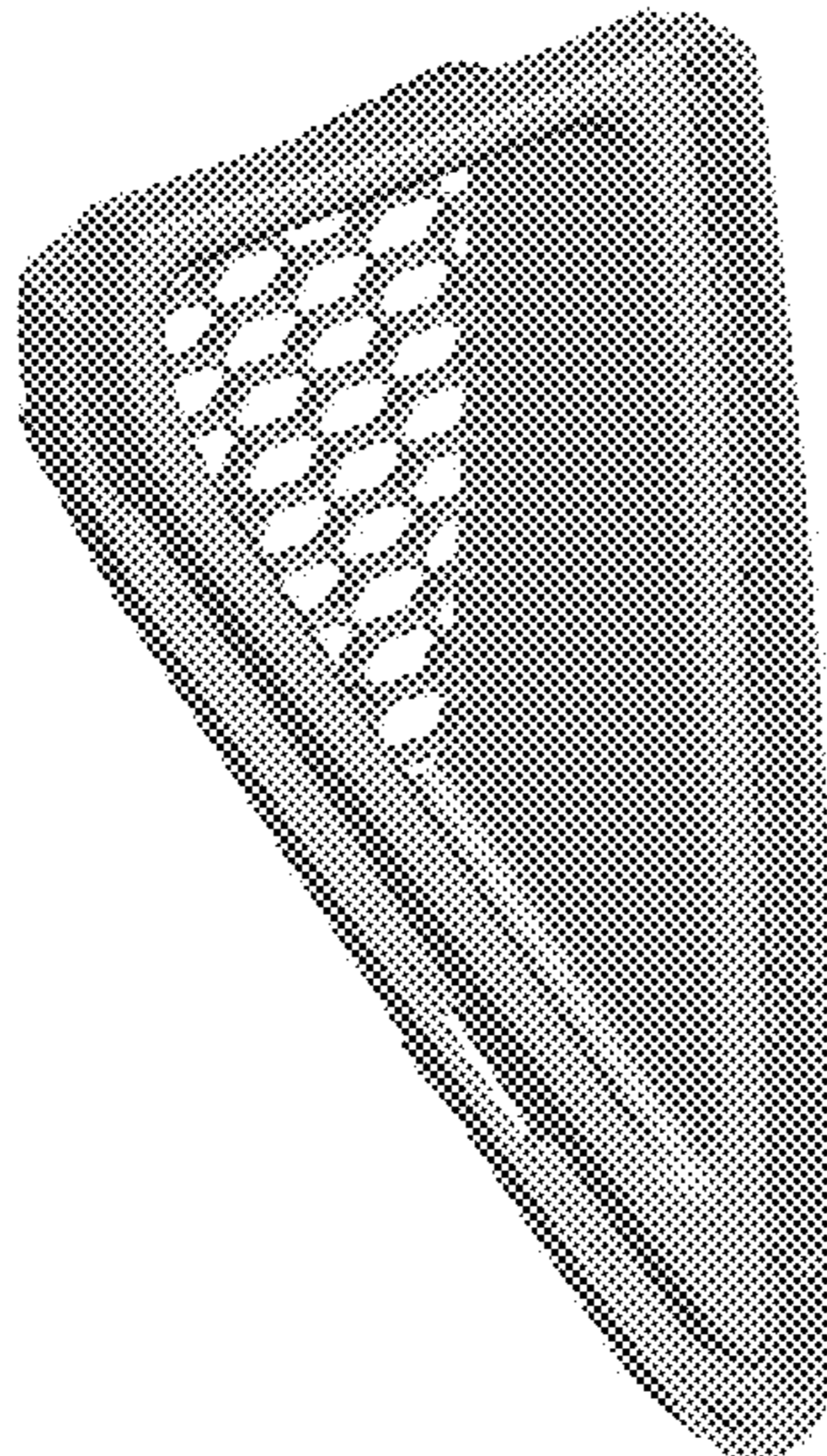
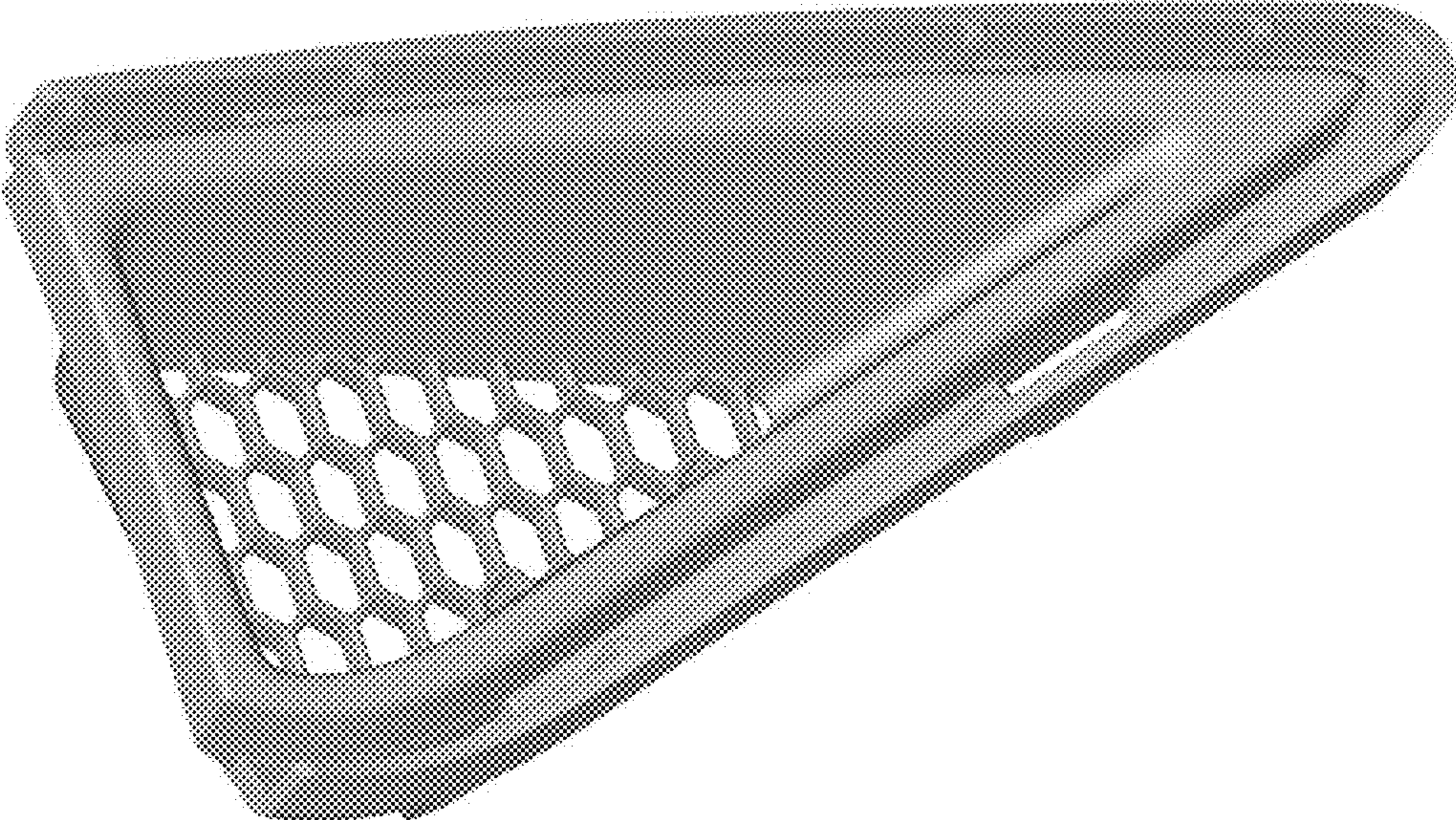


Figure 1



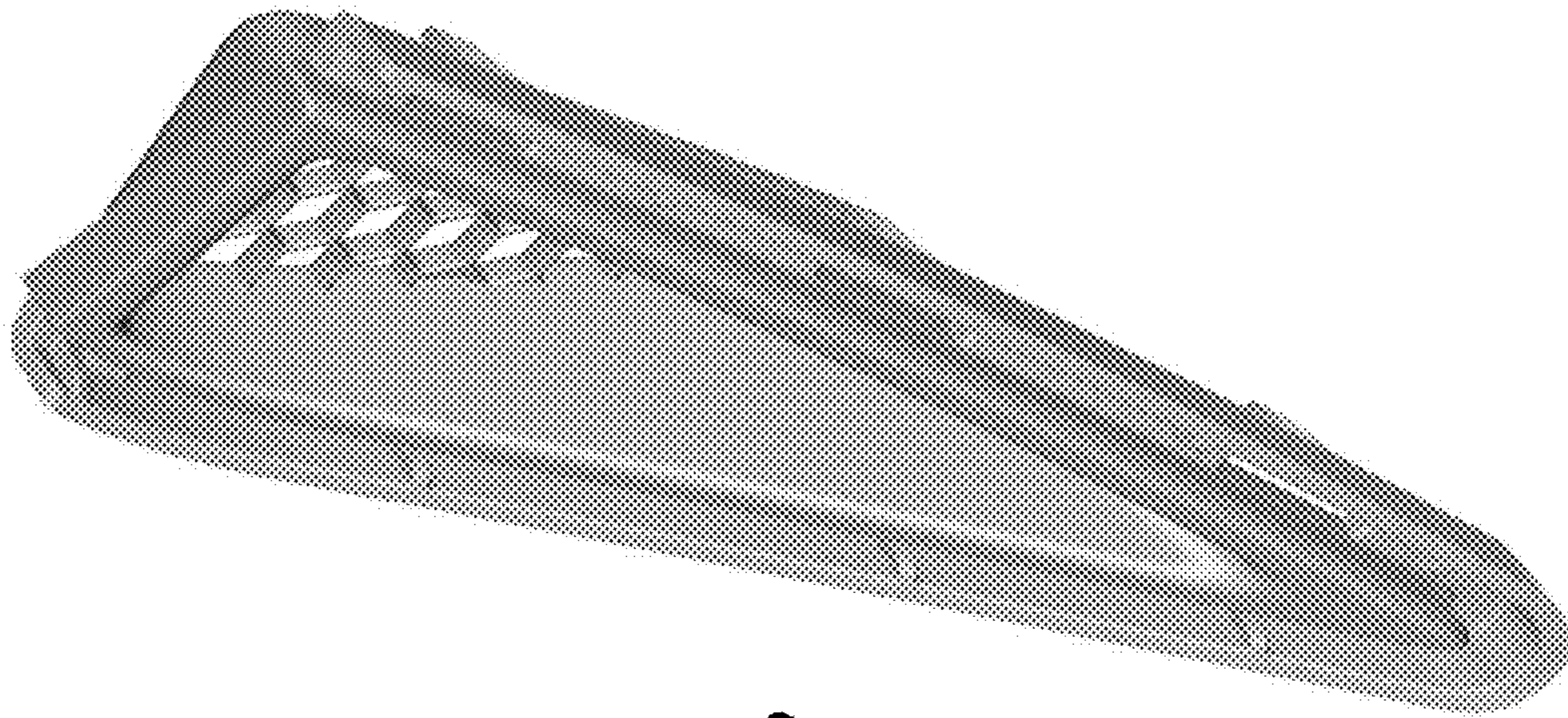


Figure 2

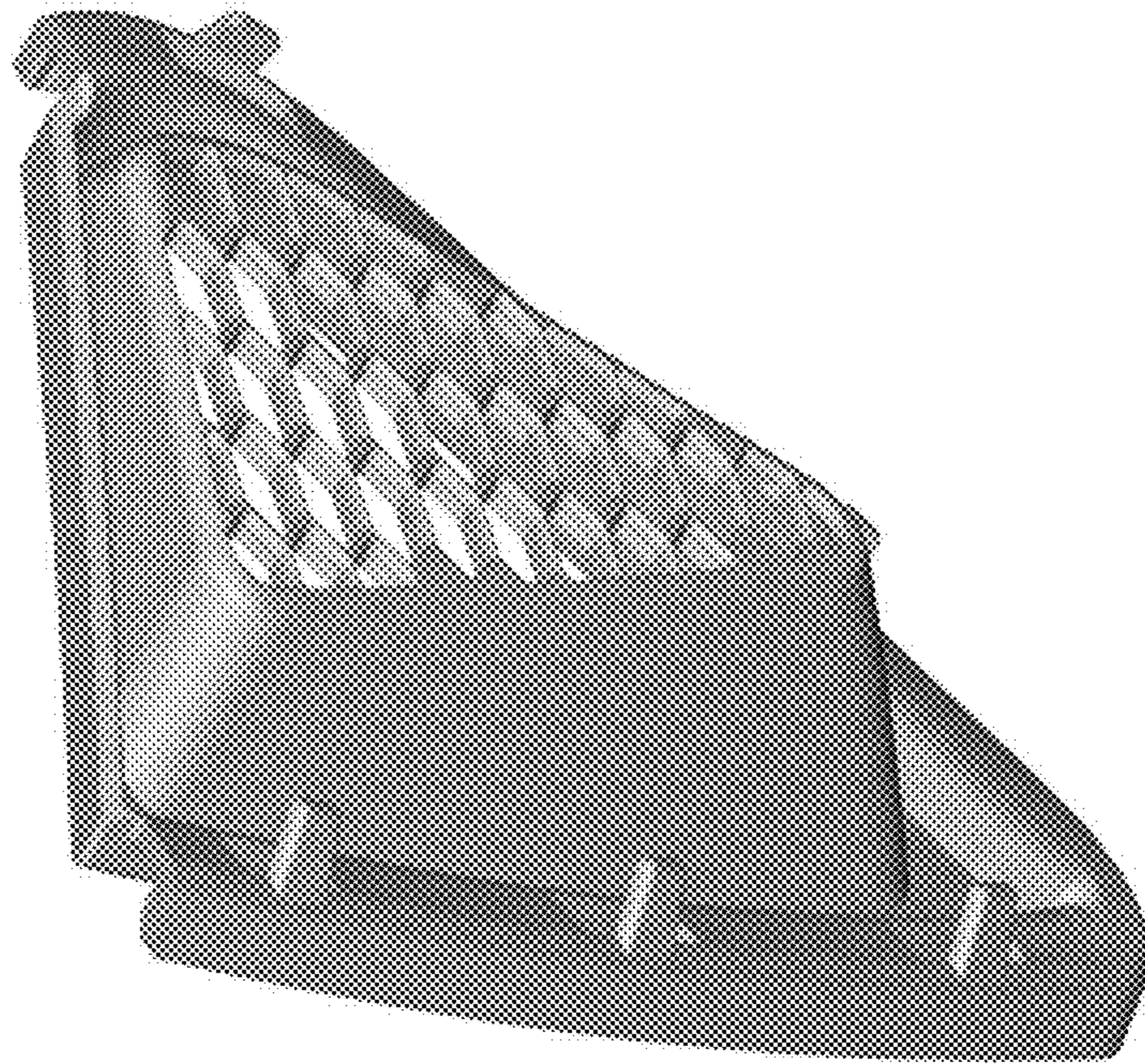


Figure 3

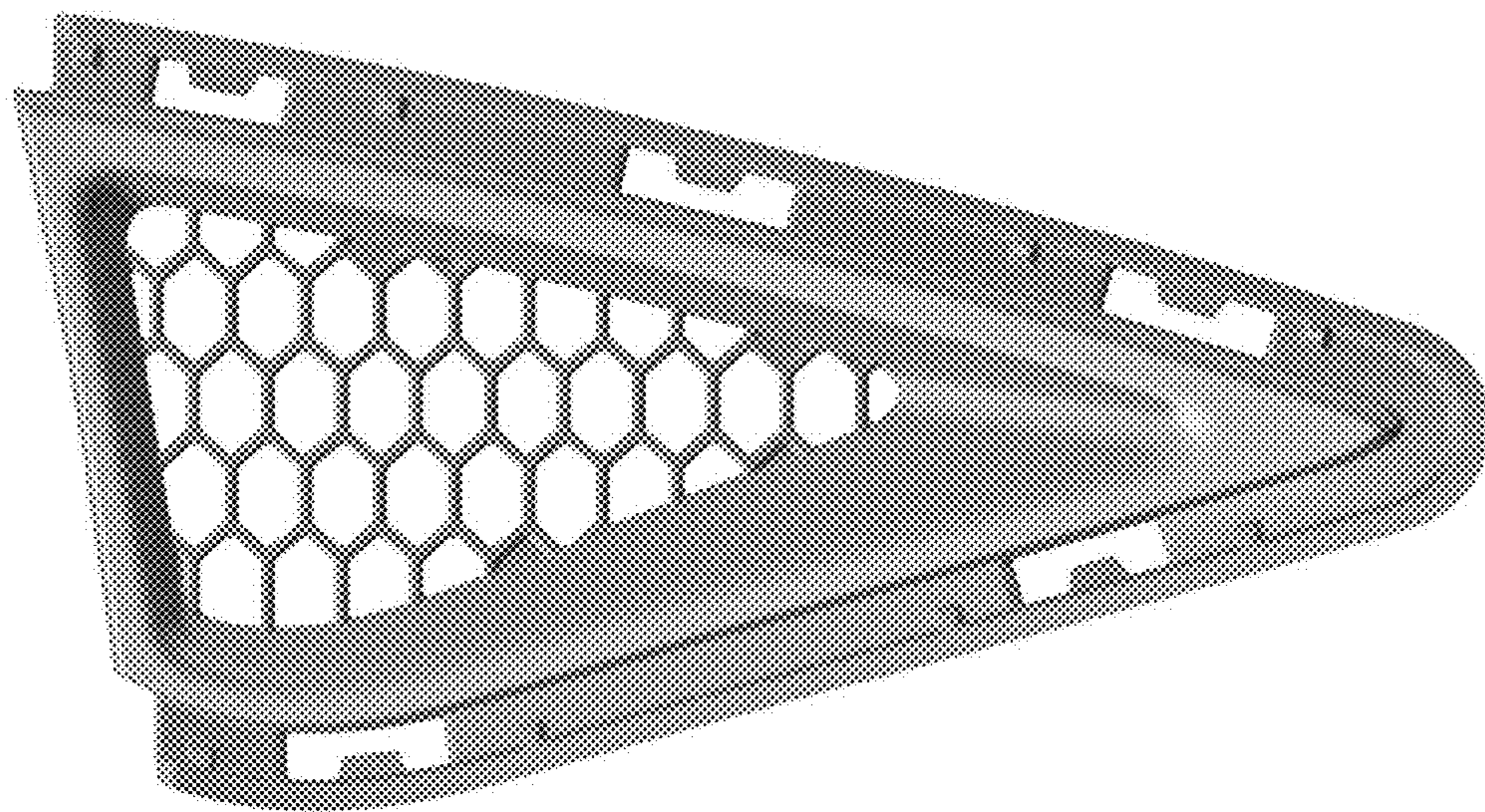
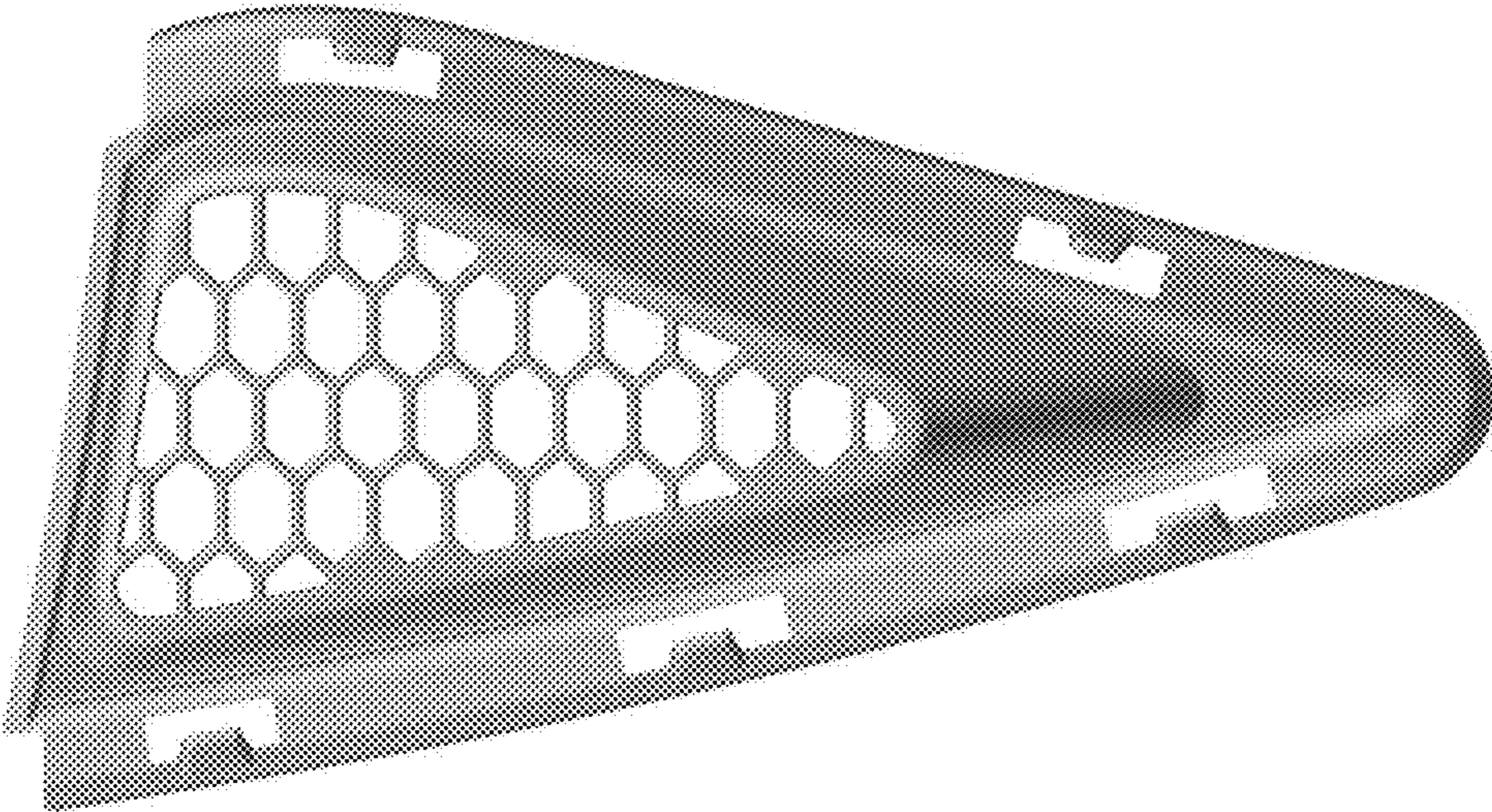


Figure 4

Figure 5



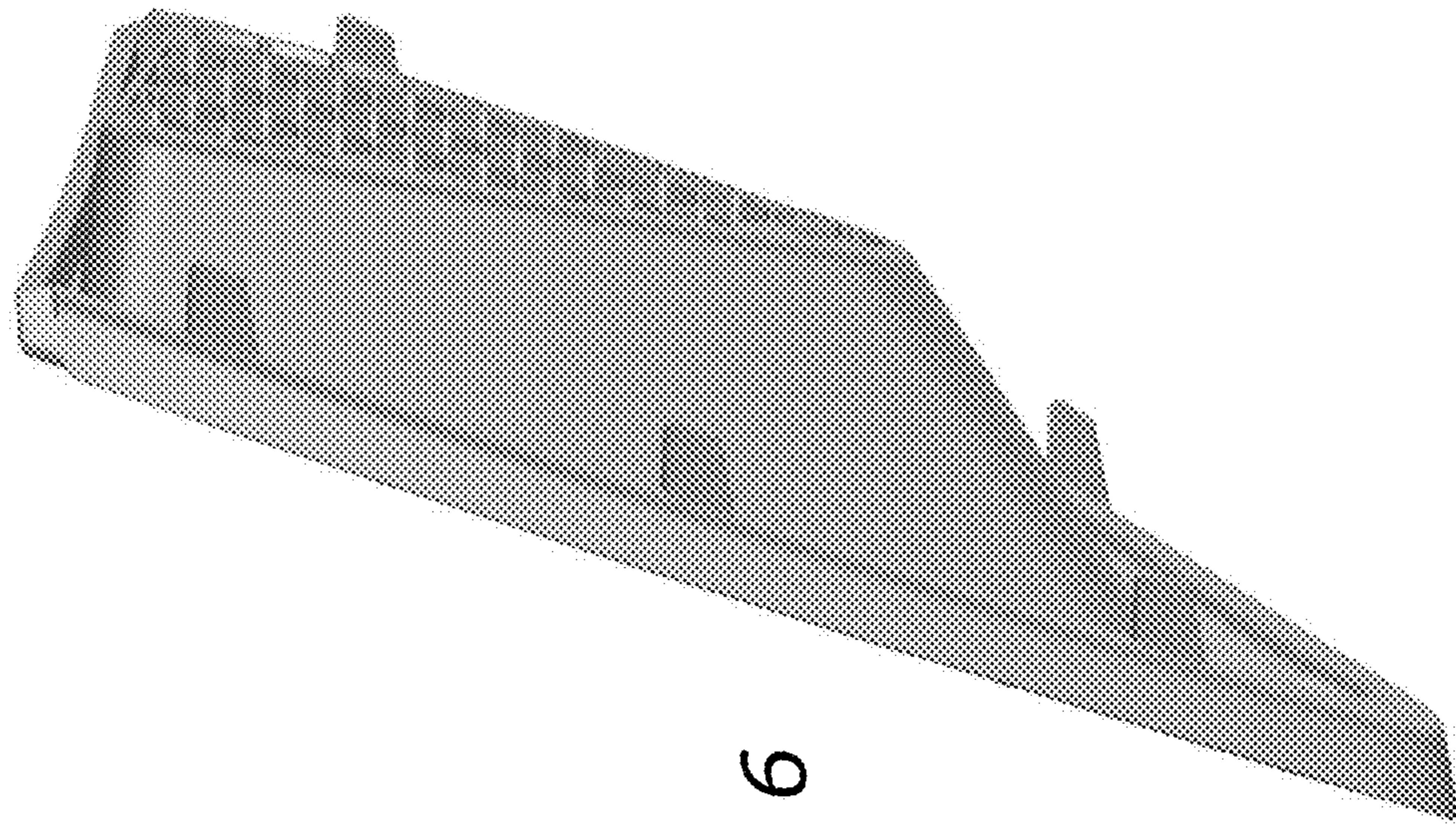
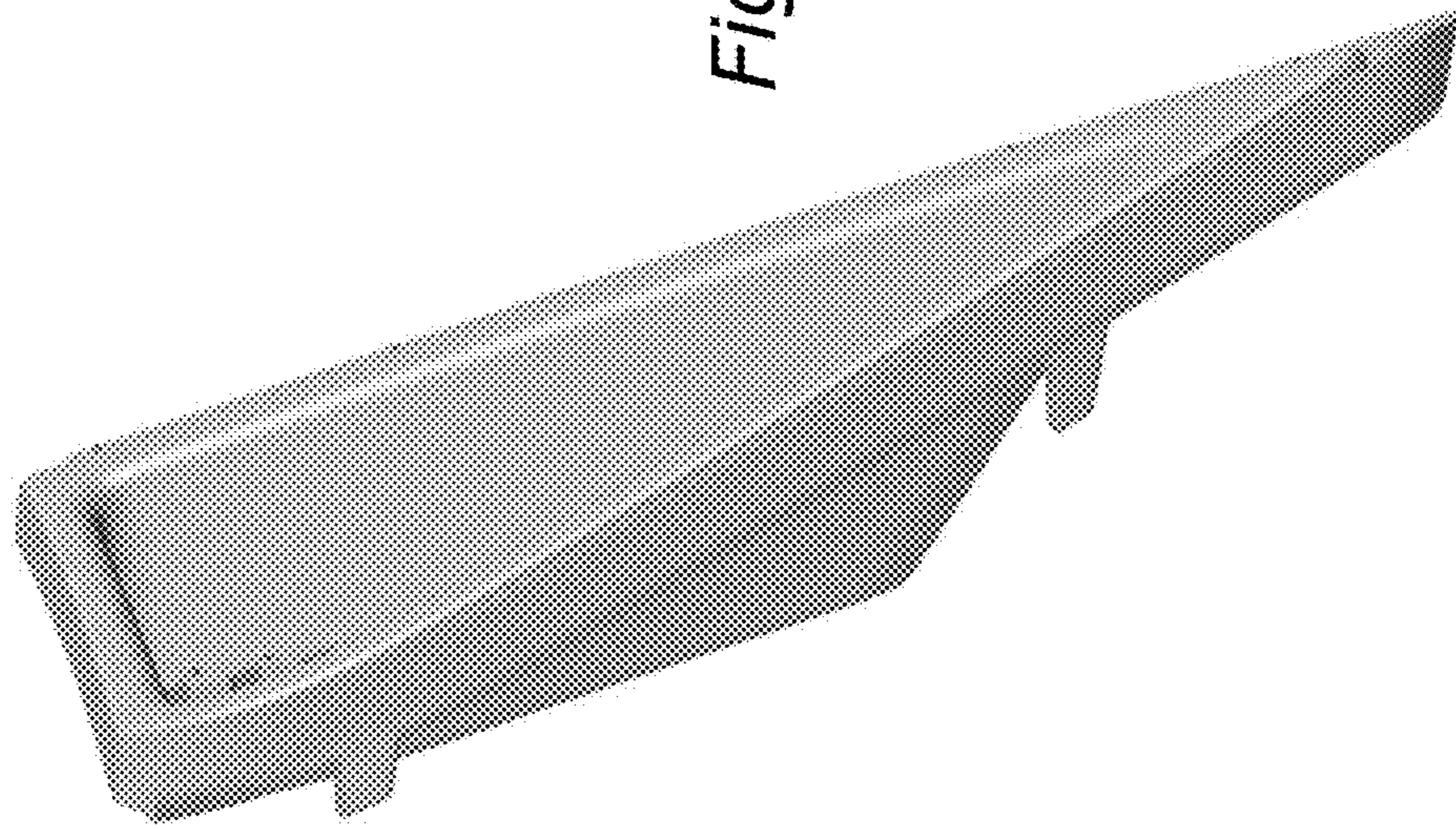


Figure 6

Figure 7



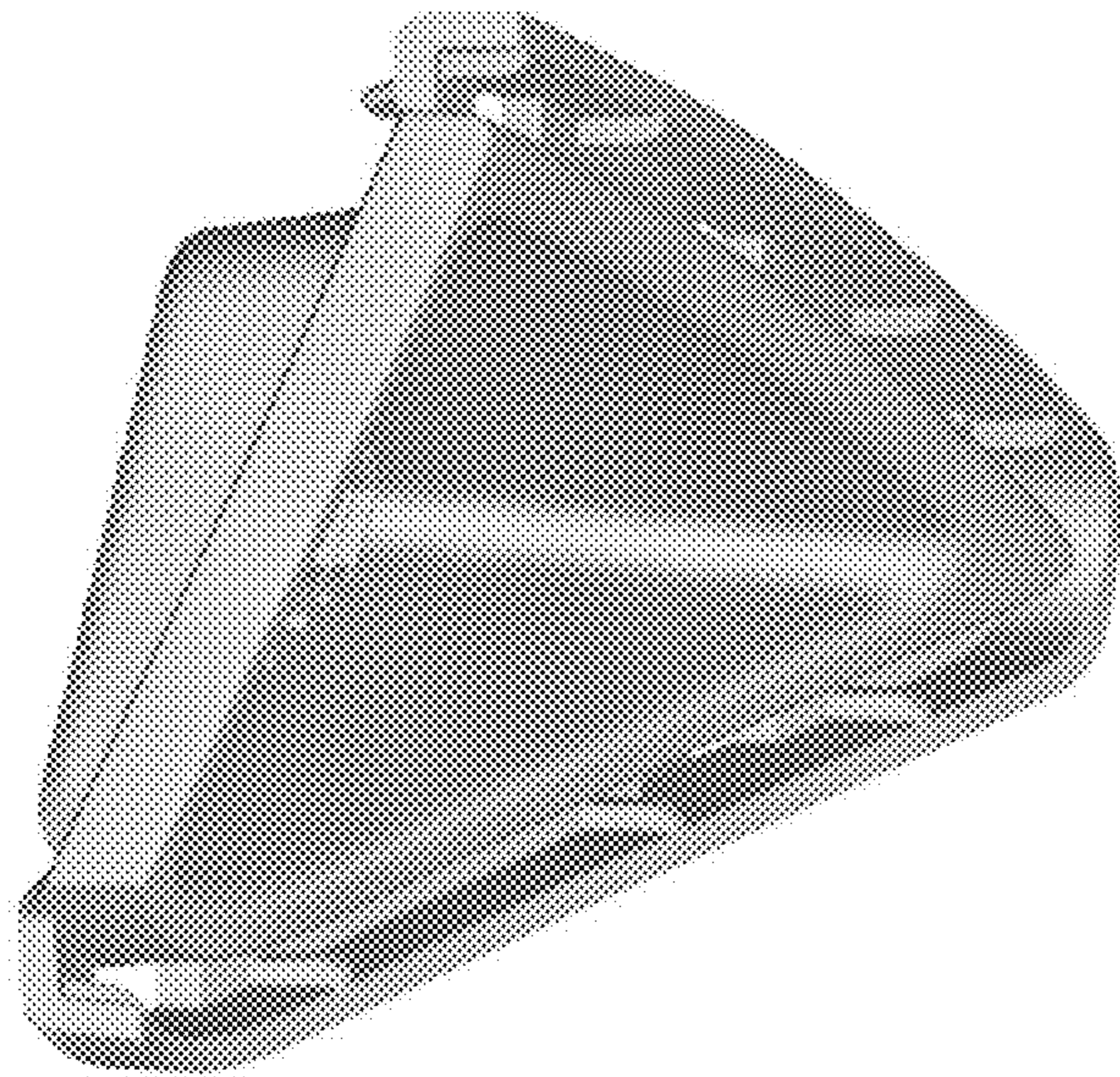


Figure 8

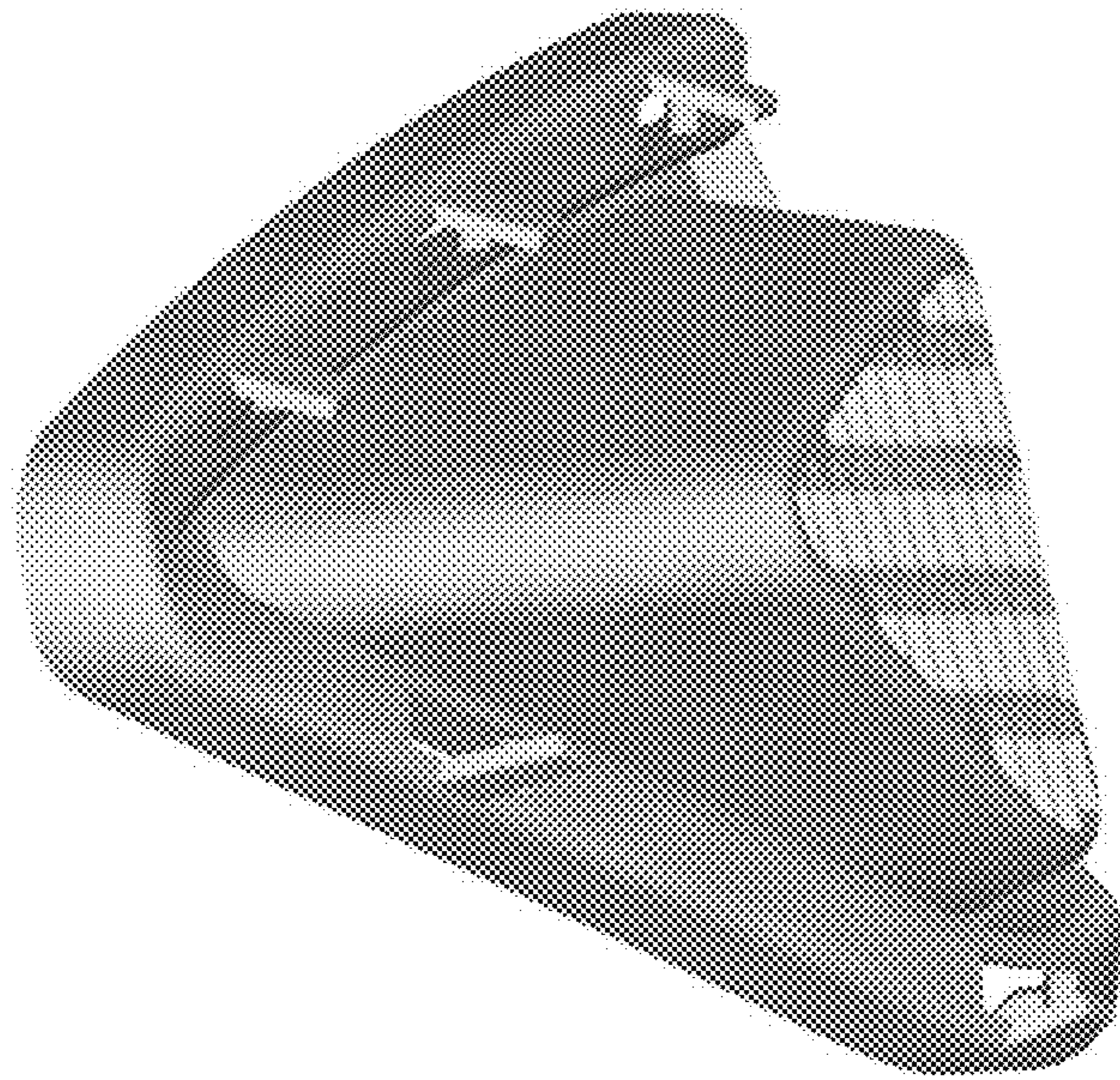


Figure 9