



US00D830238S

(12) **United States Design Patent**
Yaffe

(10) **Patent No.:** **US D830,238 S**

(45) **Date of Patent:** **** Oct. 9, 2018**

(54) **RISER CLAMP**

(71) Applicant: **Paul Yaffe**, Phoenix, AZ (US)

(72) Inventor: **Paul Yaffe**, Phoenix, AZ (US)

(**) Term: **15 Years**

(21) Appl. No.: **29/608,113**

(22) Filed: **Jun. 19, 2017**

(51) **LOC (11) Cl.** **12-11**

(52) **U.S. Cl.**
USPC **D12/114**

(58) **Field of Classification Search**
USPC D12/114, 110, 117, 118, 178, 177, 174,
D12/126, 223; D8/394, 396
CPC B62K 11/14; B62K 21/12; B62K 21/14;
B62K 21/18; B62K 21/22

See application file for complete search history.

(56) **References Cited**

U.S. PATENT DOCUMENTS

D300,417 S *	3/1989	Knecht	D12/114
D341,343 S *	11/1993	Netz	D12/126
D349,079 S *	7/1994	Matthies	D12/126
D349,266 S *	8/1994	Rudd	D12/117
D350,921 S *	9/1994	Carroll	D12/114
D405,032 S *	2/1999	Klarfeld	D12/110
D442,539 S *	5/2001	Nickel	D12/223
D487,243 S *	3/2004	McCoy	D12/223
D575,682 S *	8/2008	Norment	D12/126
D576,088 S *	9/2008	Clarkson	D12/174
D586,266 S *	2/2009	Burns	D12/126

D603,781 S *	11/2009	Jimenez	B60R 11/00 D12/223
D615,002 S *	5/2010	Norman	B62K 21/04 D12/118
D683,664 S *	6/2013	Eder	D12/118
D691,461 S *	10/2013	Waugh	D8/354
D692,294 S *	10/2013	Koeniger	D8/396
D757,631 S *	5/2016	Jamieson	D12/223
D774,990 S *	12/2016	Calley	D12/126
D774,991 S *	12/2016	Calley	D12/126
D780,638 S *	3/2017	Calley	D12/114
D780,639 S *	3/2017	Calley	D12/114
D798,908 S *	10/2017	Clark	D15/5

* cited by examiner

Primary Examiner — George D. Kirschbaum

Assistant Examiner — Clese Moore, Jr.

(74) *Attorney, Agent, or Firm* — Ice Miller LLP

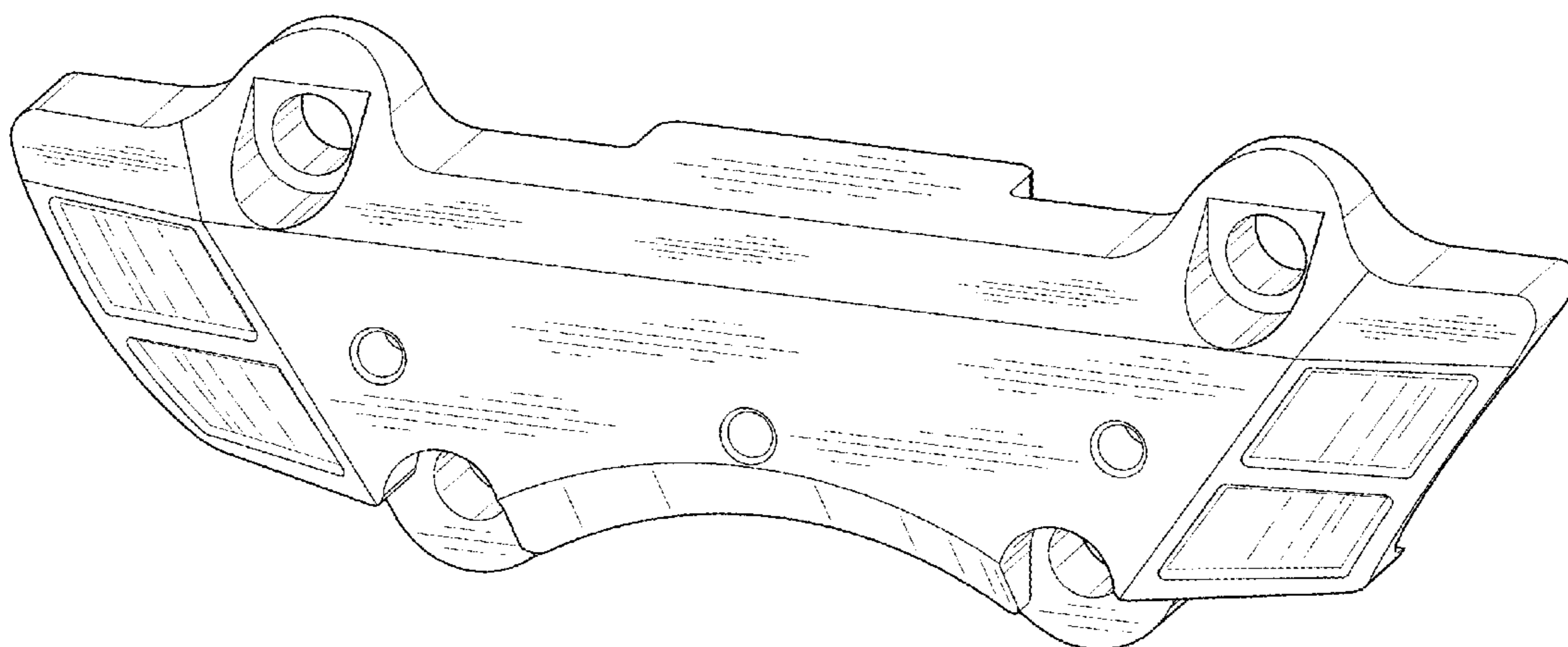
(57) **CLAIM**

The ornamental design for a riser clamp, as shown and described.

DESCRIPTION

FIG. 1 is a top perspective view of the riser clamp;
FIG. 2 is a bottom perspective view of the riser clamp;
FIG. 3 is a front elevation view of the riser clamp;
FIG. 4 is a rear elevation view of the riser clamp;
FIG. 5 is a left side elevation view of the riser clamp;
FIG. 6 is a right side elevation view of the riser clamp;
FIG. 7 is a top plan view of the riser clamp; and,
FIG. 8 is a bottom plan view of the riser clamp.

1 Claim, 6 Drawing Sheets



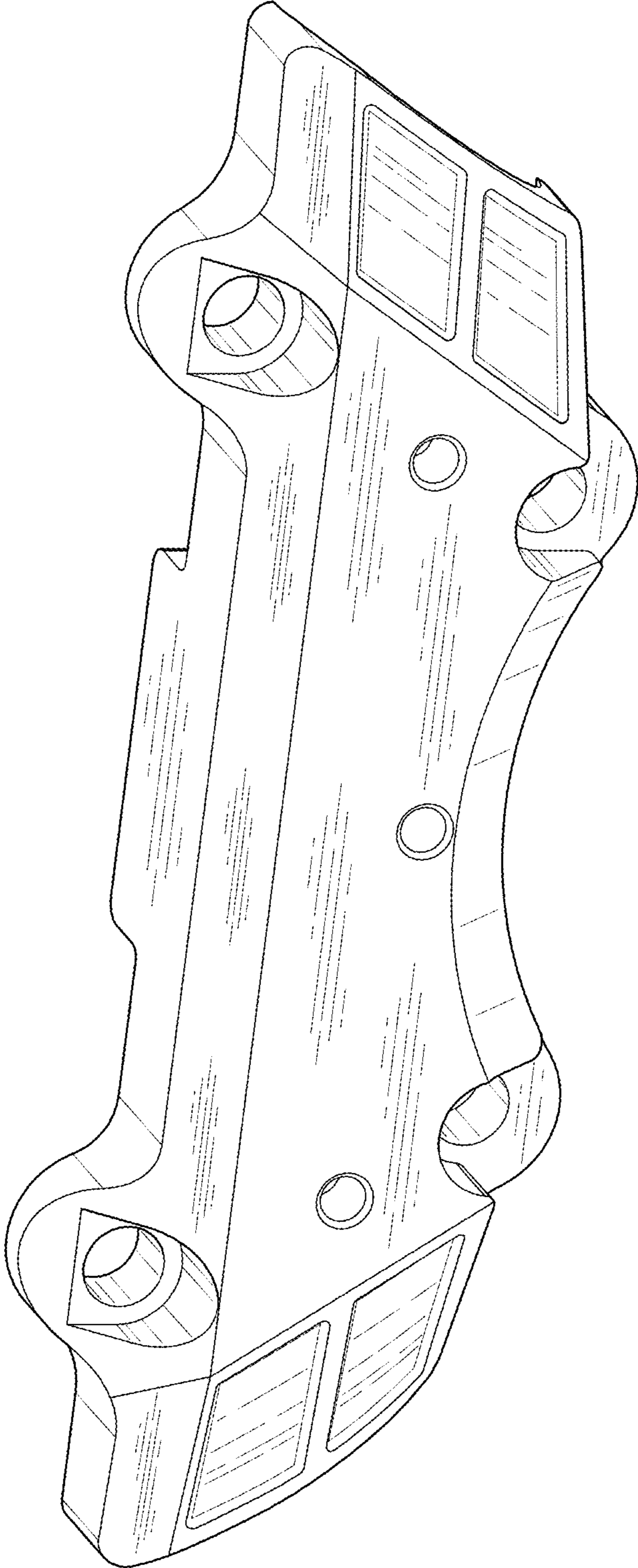


FIG. 1

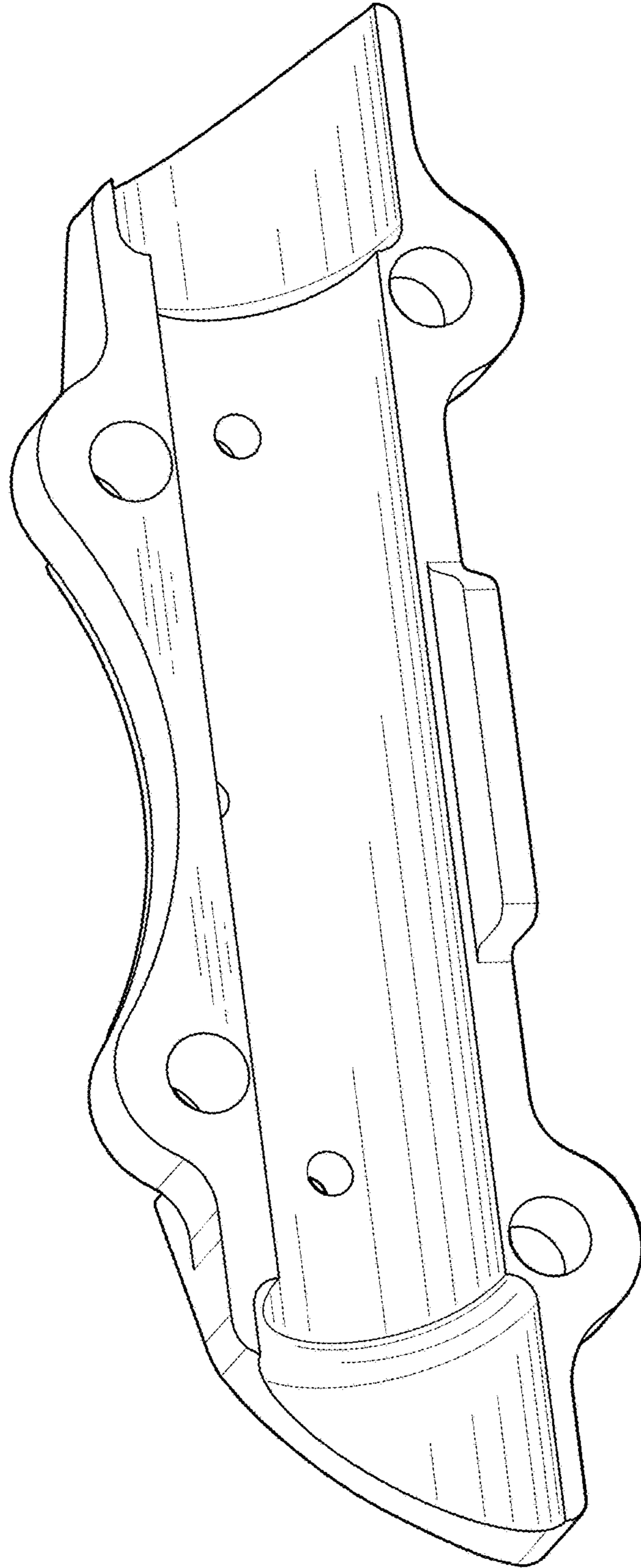


FIG. 2

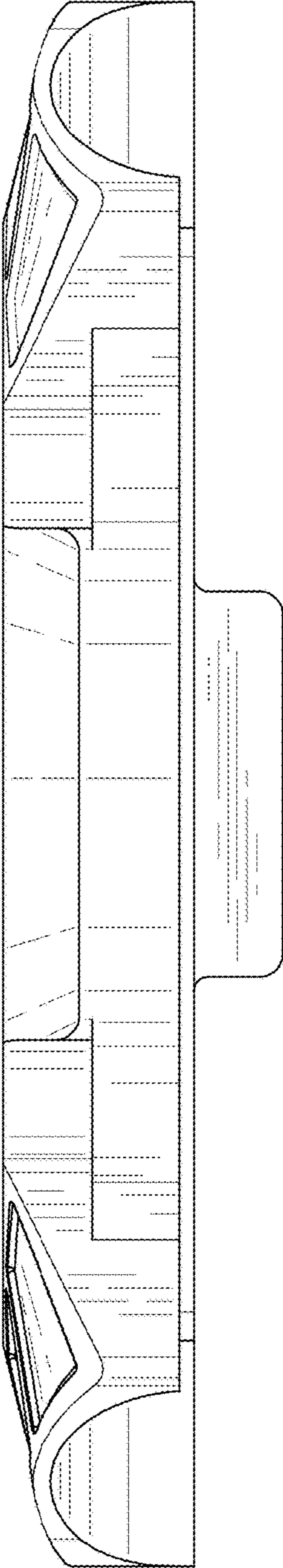


FIG. 3

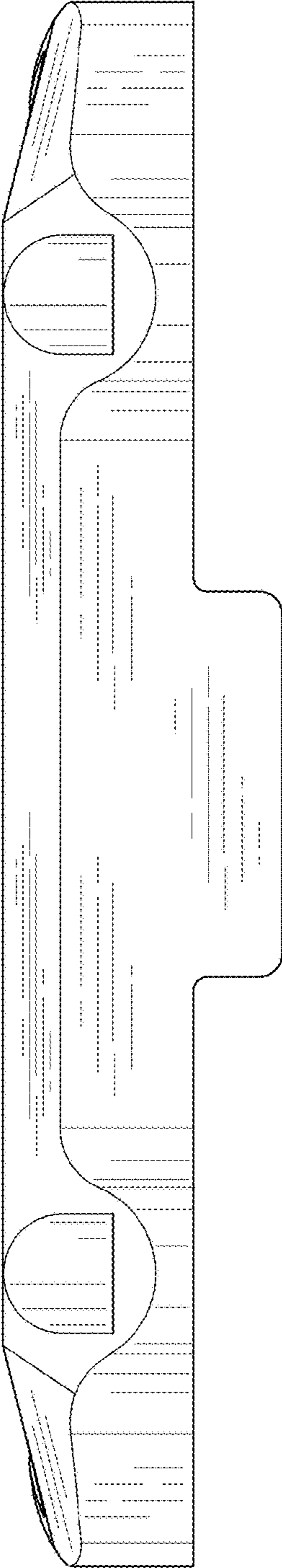


FIG. 4

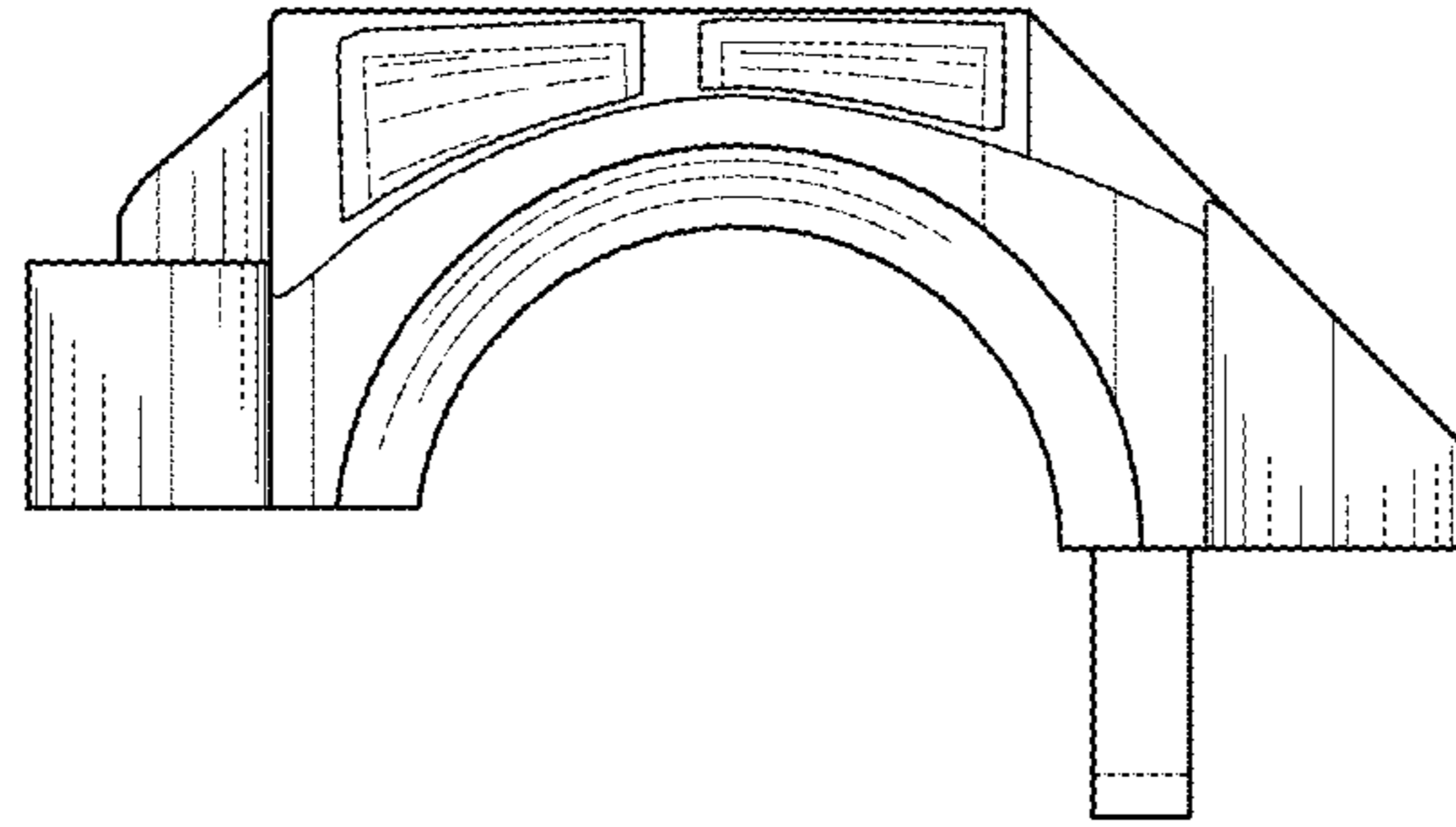


FIG. 5

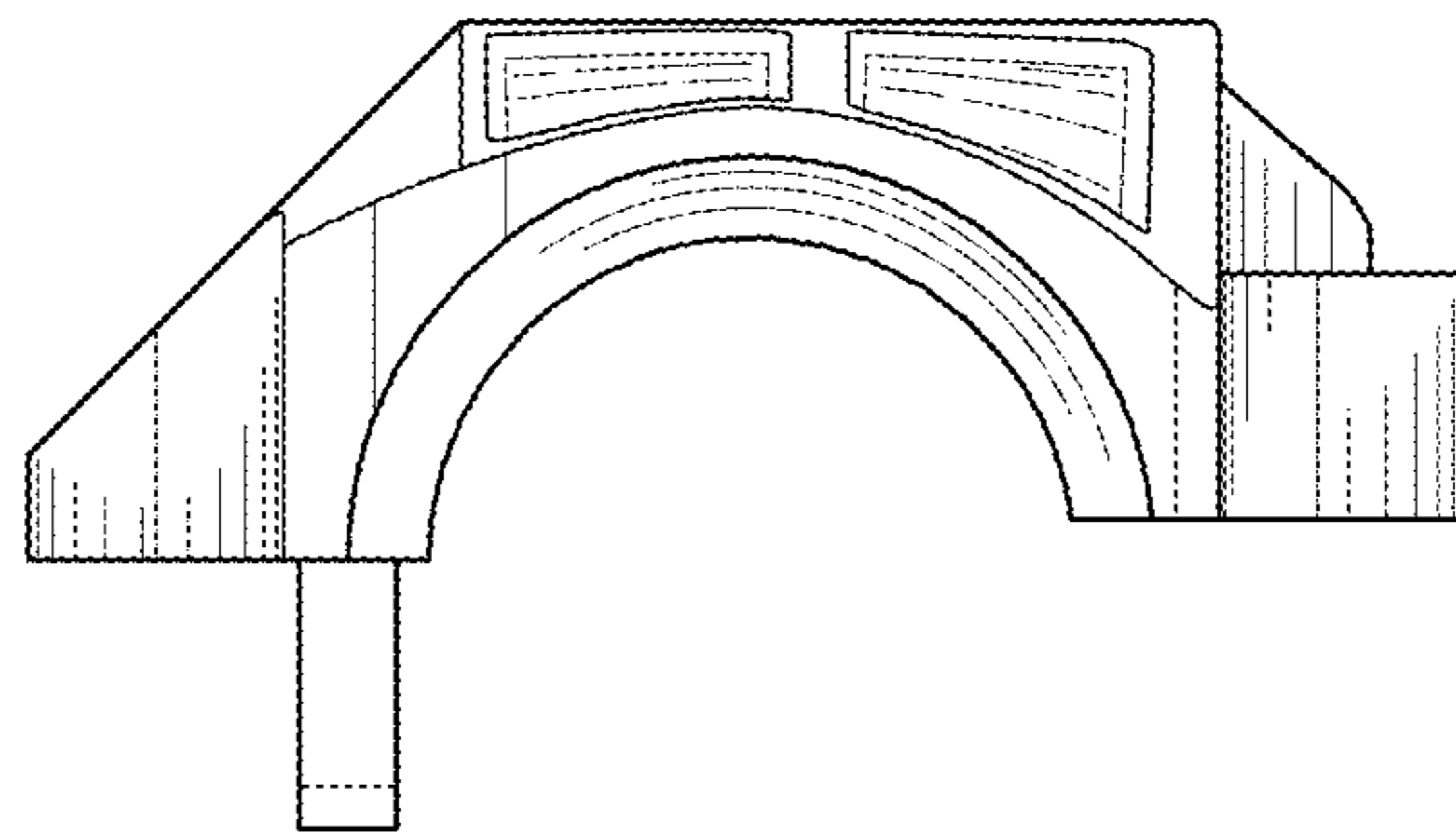


FIG. 6

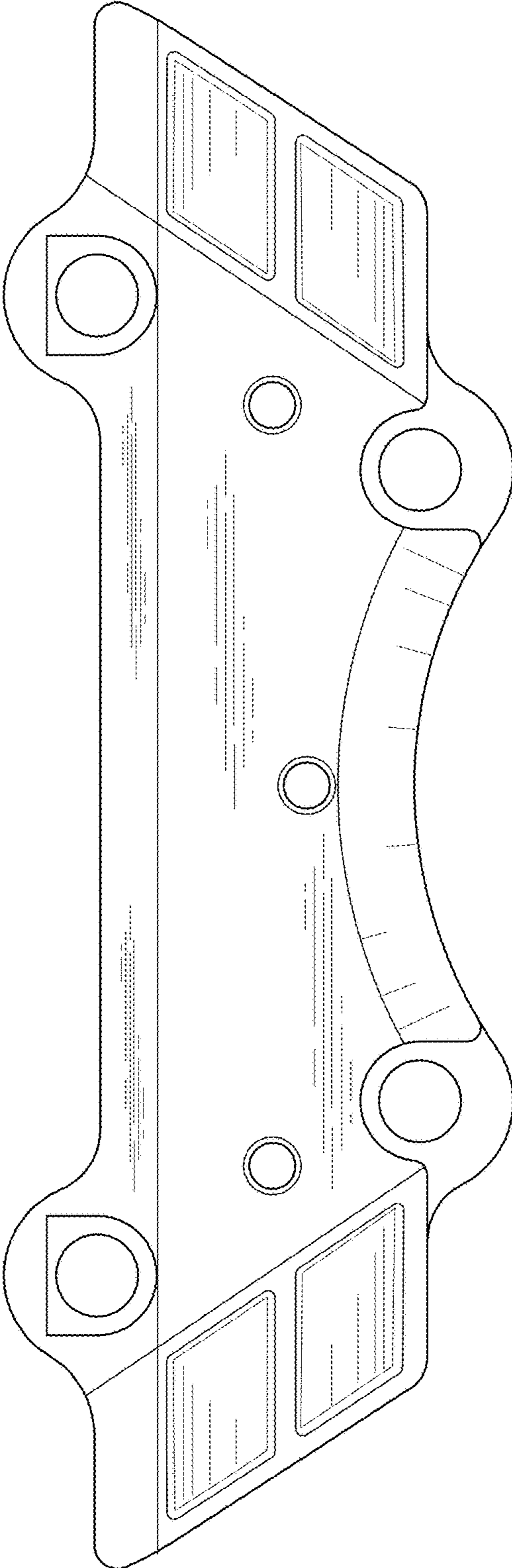


FIG. 7

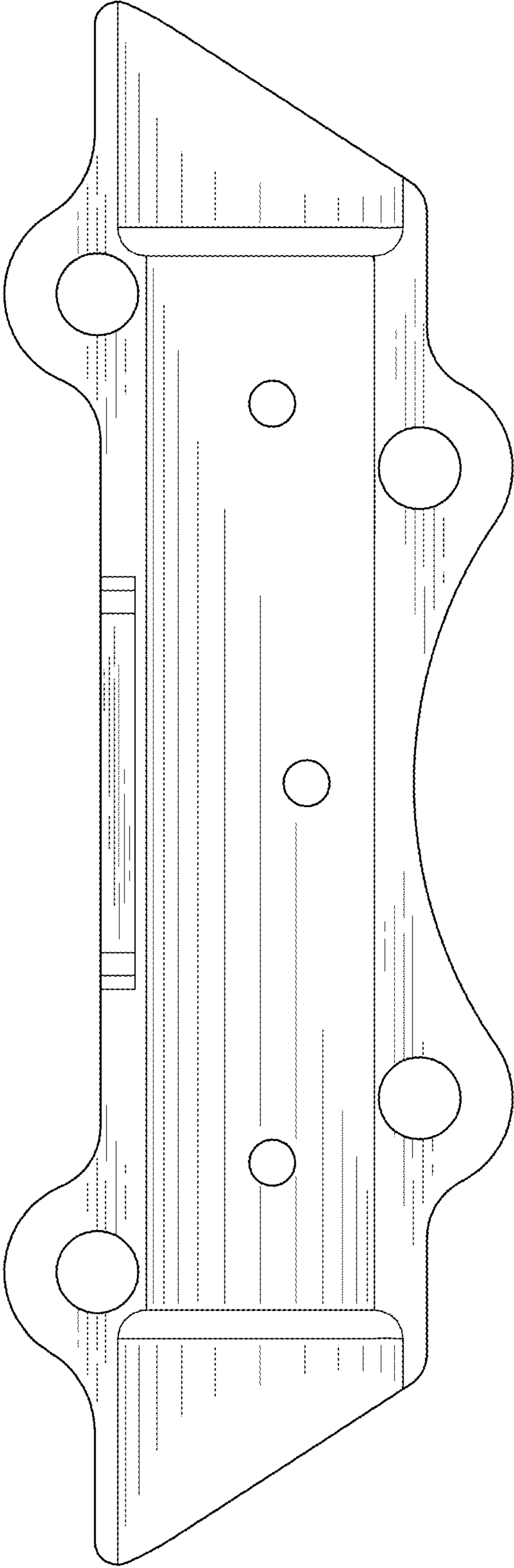


FIG. 8