



US00D830237S

(12) **United States Design Patent**
Yaffe

(10) **Patent No.:** **US D830,237 S**
(45) **Date of Patent:** **** Oct. 9, 2018**

- (54) **RISER CLAMP**
- (71) Applicant: **Paul Yaffe**, Phoenix, AZ (US)
- (72) Inventor: **Paul Yaffe**, Phoenix, AZ (US)
- (**) Term: **15 Years**
- (21) Appl. No.: **29/608,111**
- (22) Filed: **Jun. 19, 2017**
- (51) **LOC (11) Cl.** **12-11**
- (52) **U.S. Cl.**
USPC **D12/114**
- (58) **Field of Classification Search**
USPC D12/114, 110, 117, 118, 178, 177, 174,
D12/126, 223; D8/394, 396
CPC B62K 11/14; B62K 21/12; B62K 21/14;
B62K 21/18; B62K 21/22
See application file for complete search history.

- D603,781 S * 11/2009 Jimenez B60R 11/00
D12/223
- D615,002 S * 5/2010 Norman B62K 21/04
D12/118
- D683,664 S * 6/2013 Eder D12/118
- D691,461 S * 10/2013 Waugh D8/354
- D692,294 S * 10/2013 Koeniger D8/396
- D757,631 S * 5/2016 Jamieson D12/223
- D774,990 S * 12/2016 Calley D12/126
- D774,991 S * 12/2016 Calley D12/126
- D780,638 S * 3/2017 Calley D12/114
- D780,639 S * 3/2017 Calley D12/114
- D798,908 S * 10/2017 Clark D15/5

* cited by examiner

Primary Examiner — George D. Kirschbaum

Assistant Examiner — Clese Moore, Jr.

(74) *Attorney, Agent, or Firm* — Ice Miller LLP

(57) **CLAIM**

The ornamental design for a riser clamp, as shown and described.

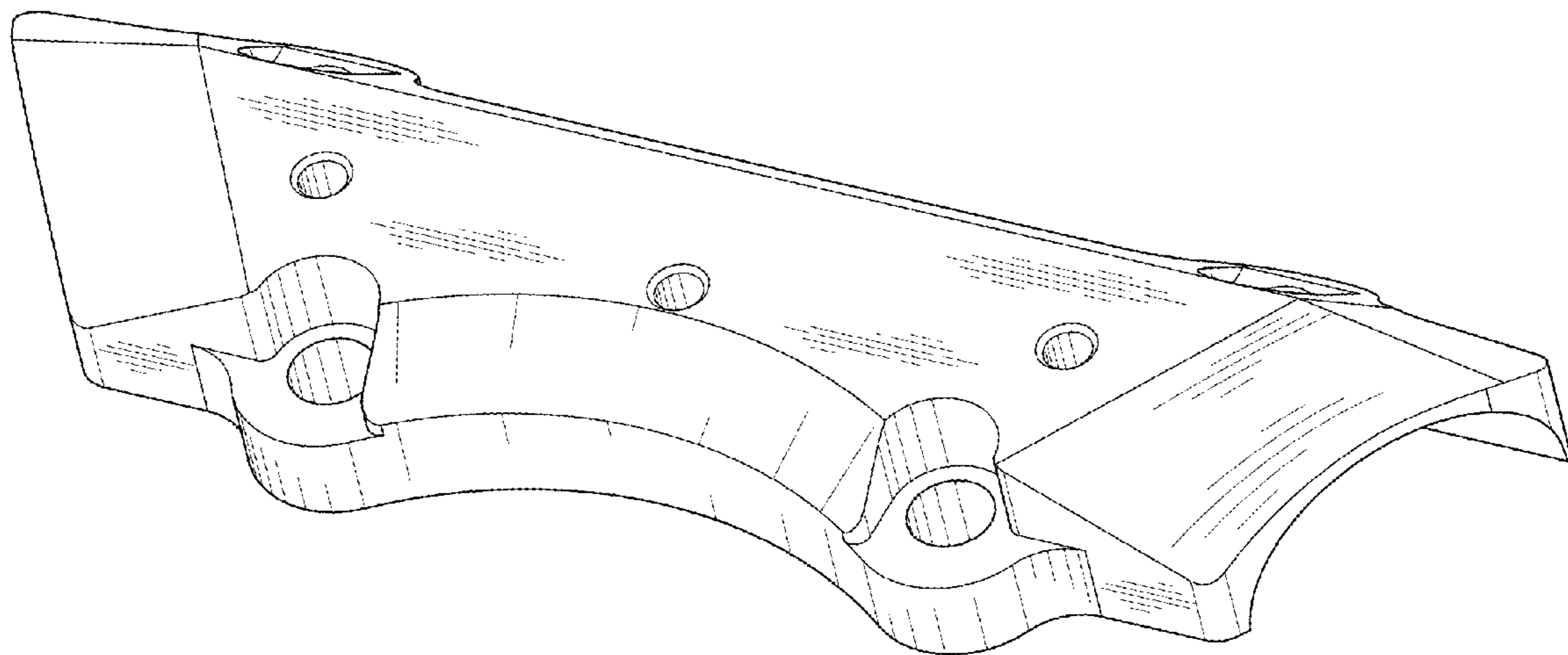
DESCRIPTION

FIG. 1 is a top perspective view of the riser clamp;
FIG. 2 is a bottom perspective view of the riser clamp;
FIG. 3 is a front elevation view of the riser clamp;
FIG. 4 is a rear elevation view of the riser clamp;
FIG. 5 is a left side elevation view of the riser clamp;
FIG. 6 is a right side elevation view of the riser clamp;
FIG. 7 is a top plan view of the riser clamp; and,
FIG. 8 is a bottom plan view of the riser clamp.

1 Claim, 6 Drawing Sheets

(56) **References Cited**
U.S. PATENT DOCUMENTS

- D300,417 S * 3/1989 Knecht D12/114
- D341,343 S * 11/1993 Netz D12/126
- D349,079 S * 7/1994 Matthies D12/126
- D349,266 S * 8/1994 Rudd D12/117
- D350,921 S * 9/1994 Carroll D12/114
- D405,032 S * 2/1999 Klarfeld D12/110
- D442,539 S * 5/2001 Nickel D12/223
- D487,243 S * 3/2004 McCoy D12/223
- D575,682 S * 8/2008 Norment D12/126
- D576,088 S * 9/2008 Clarkson D12/174
- D586,266 S * 2/2009 Burns D12/126



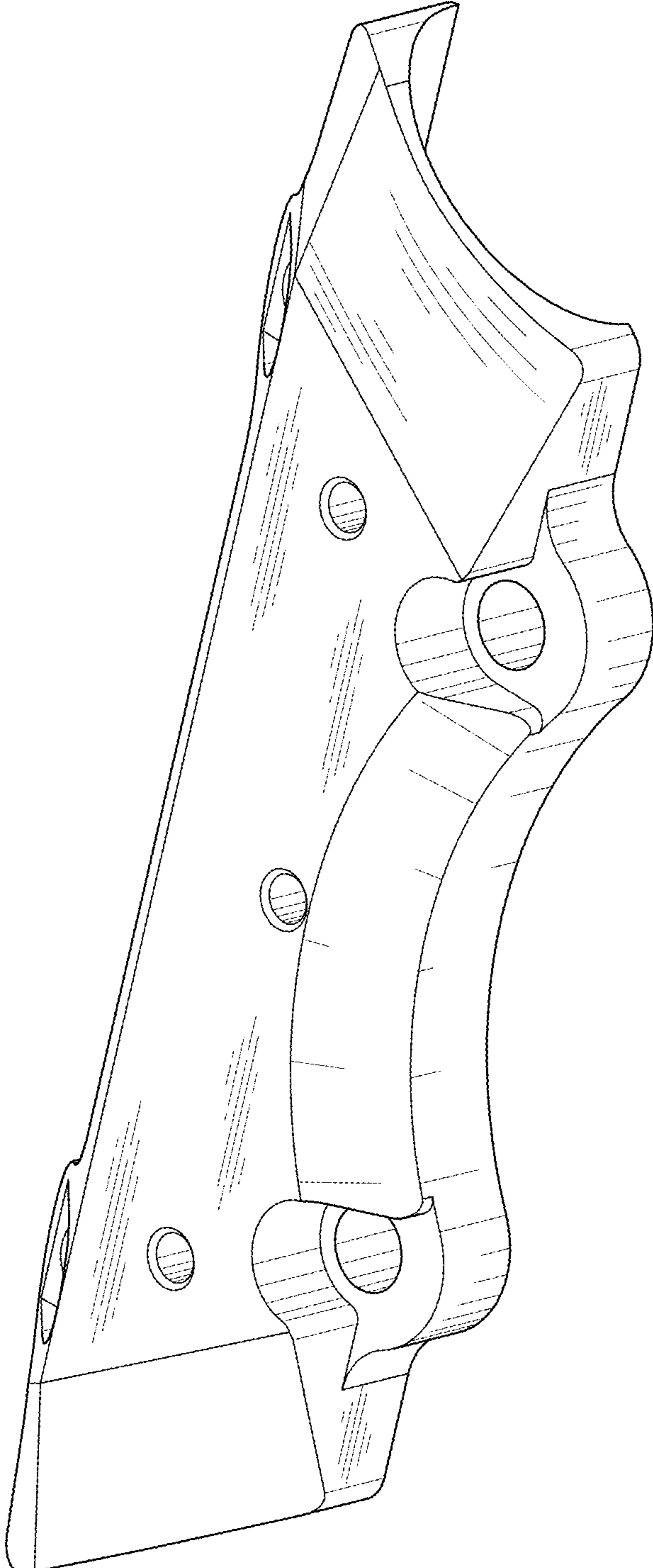


FIG. 1

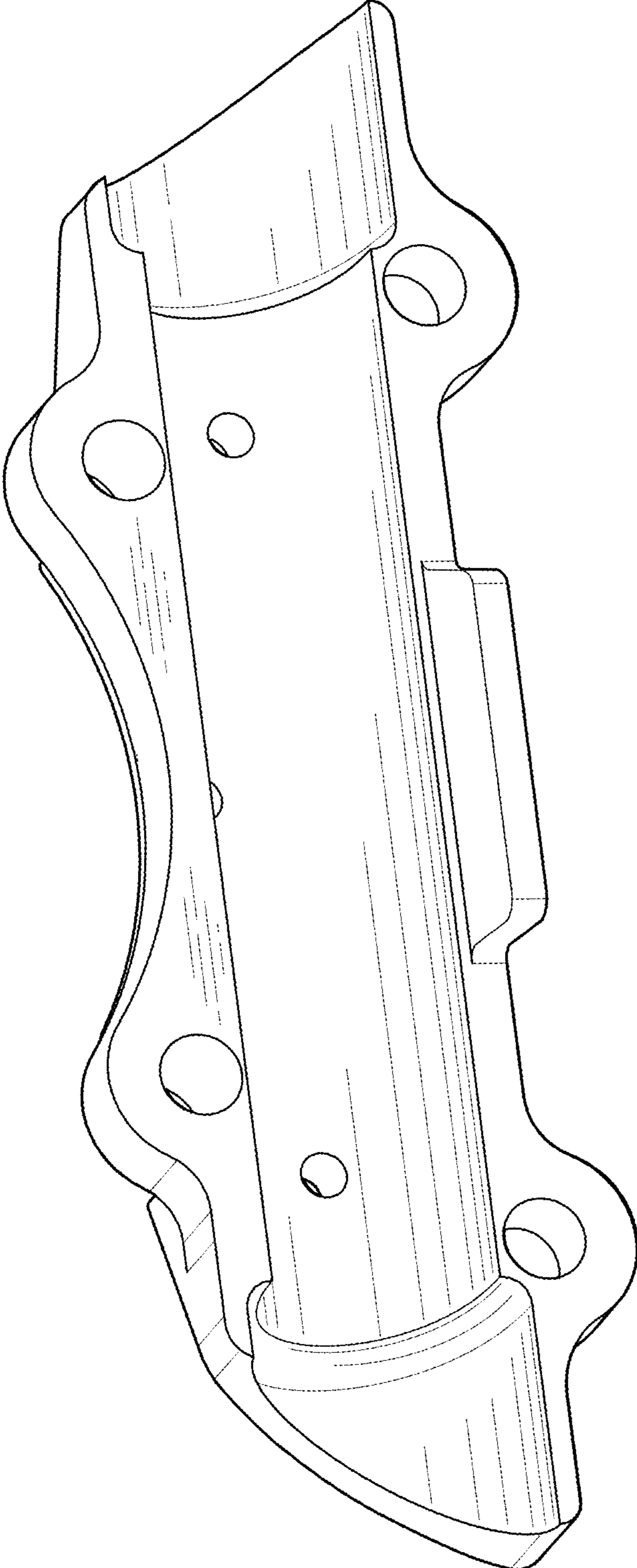


FIG. 2

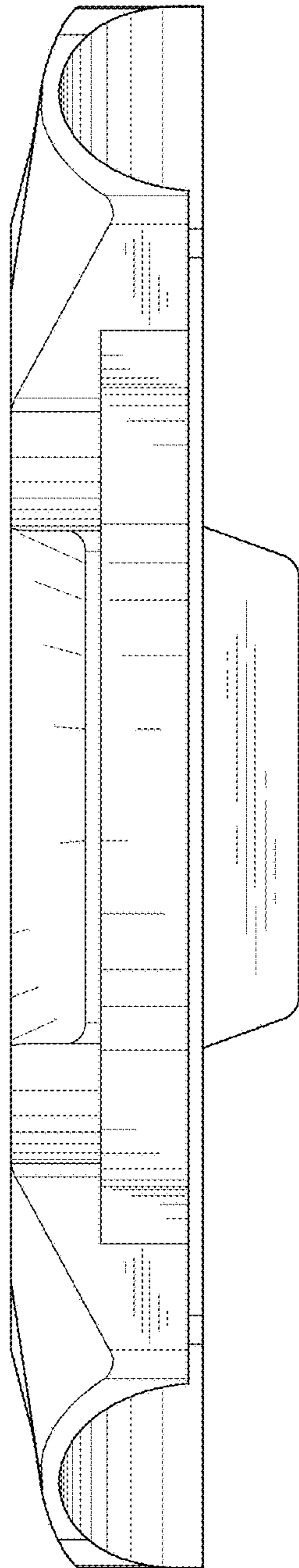


FIG. 3

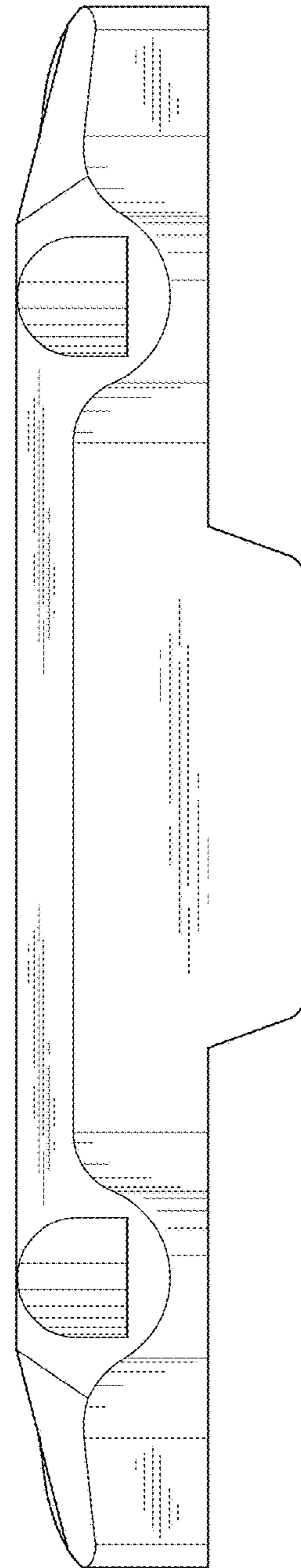


FIG. 4

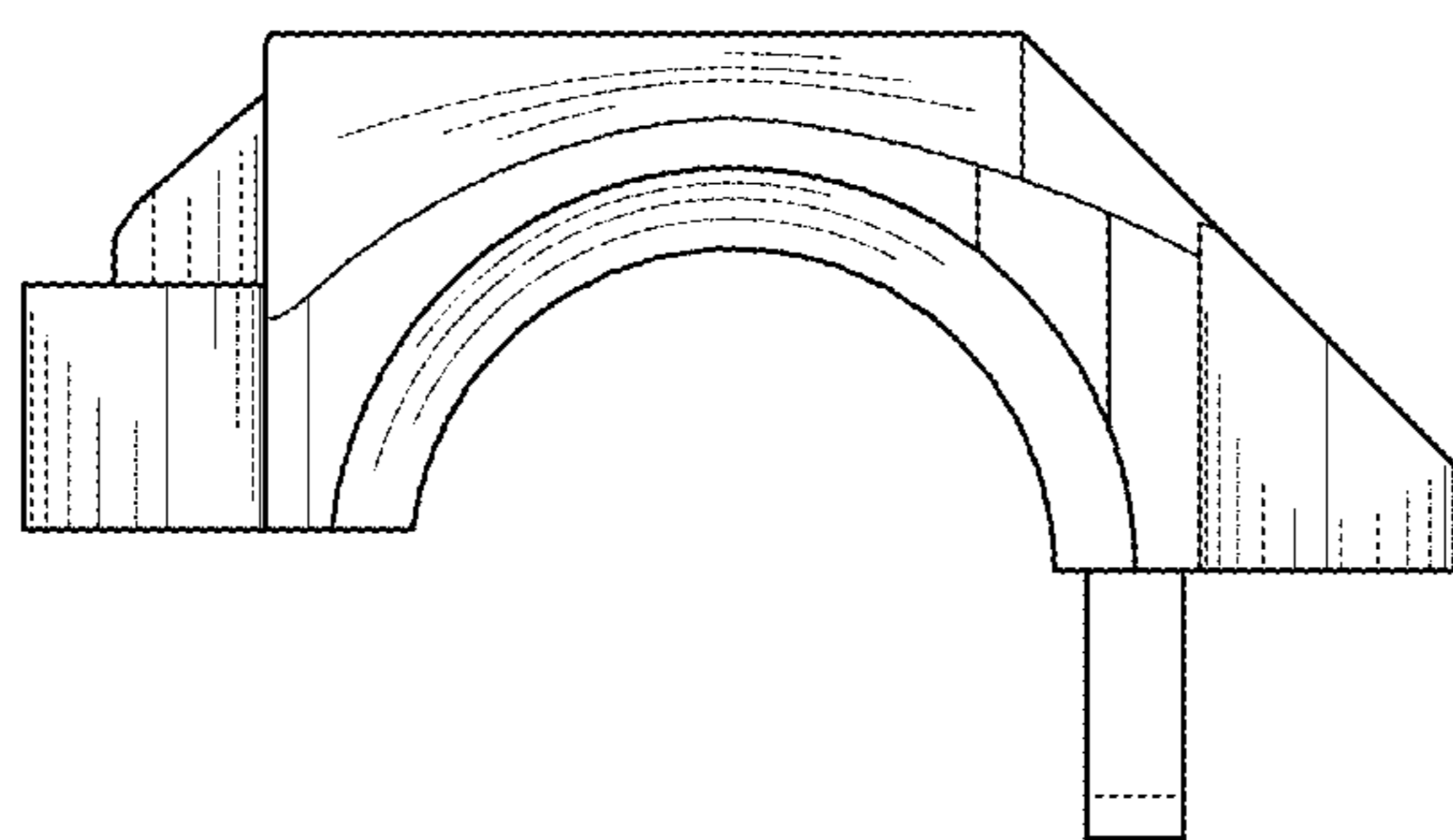


FIG. 5

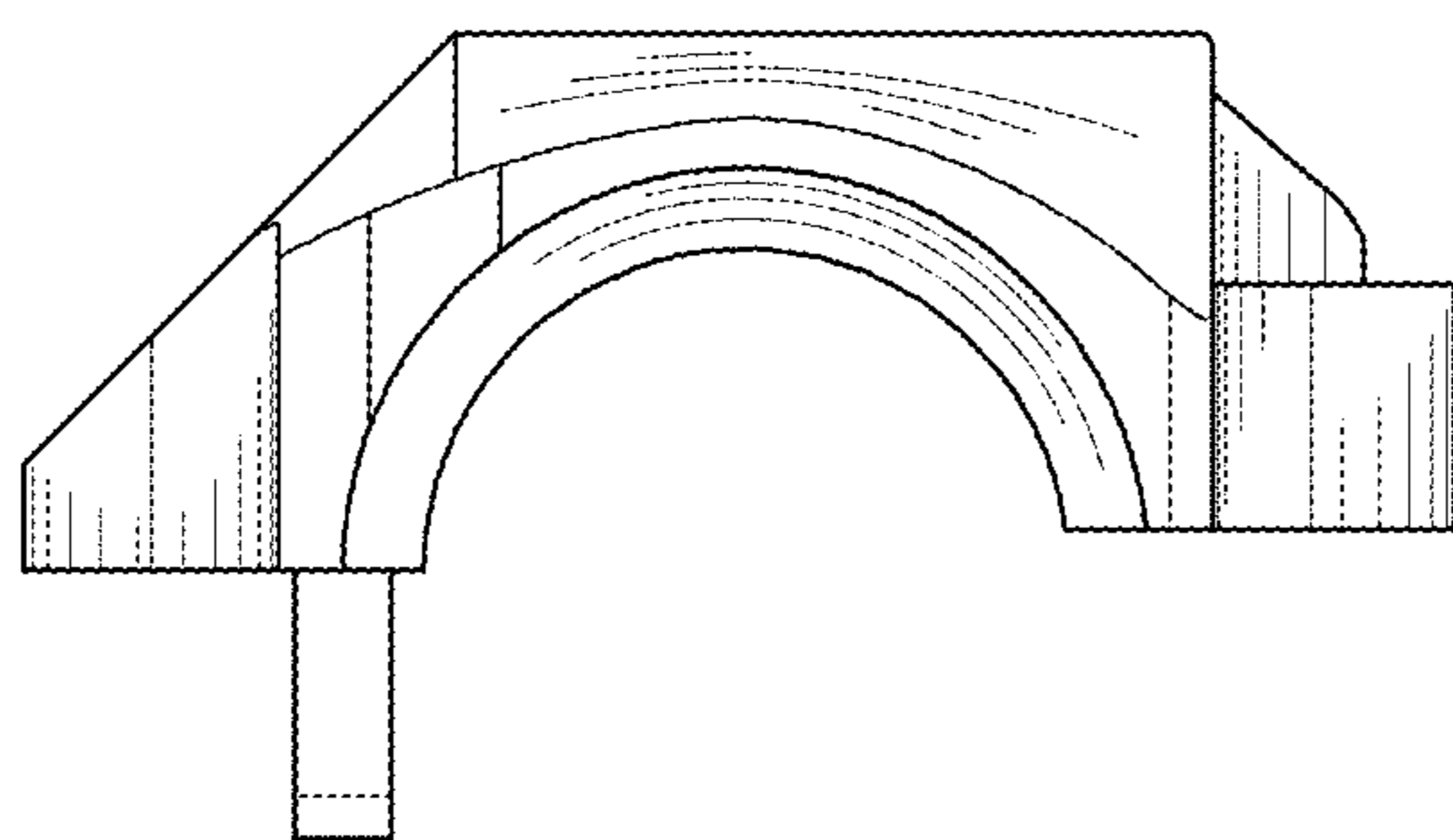


FIG. 6

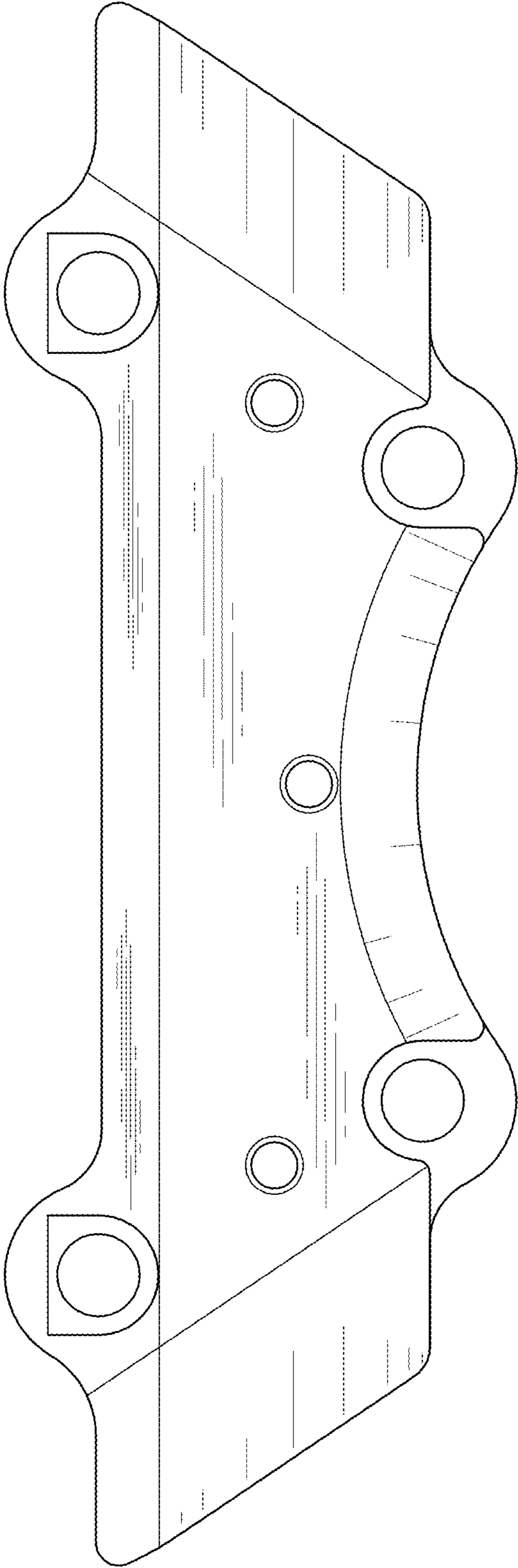


FIG. 7

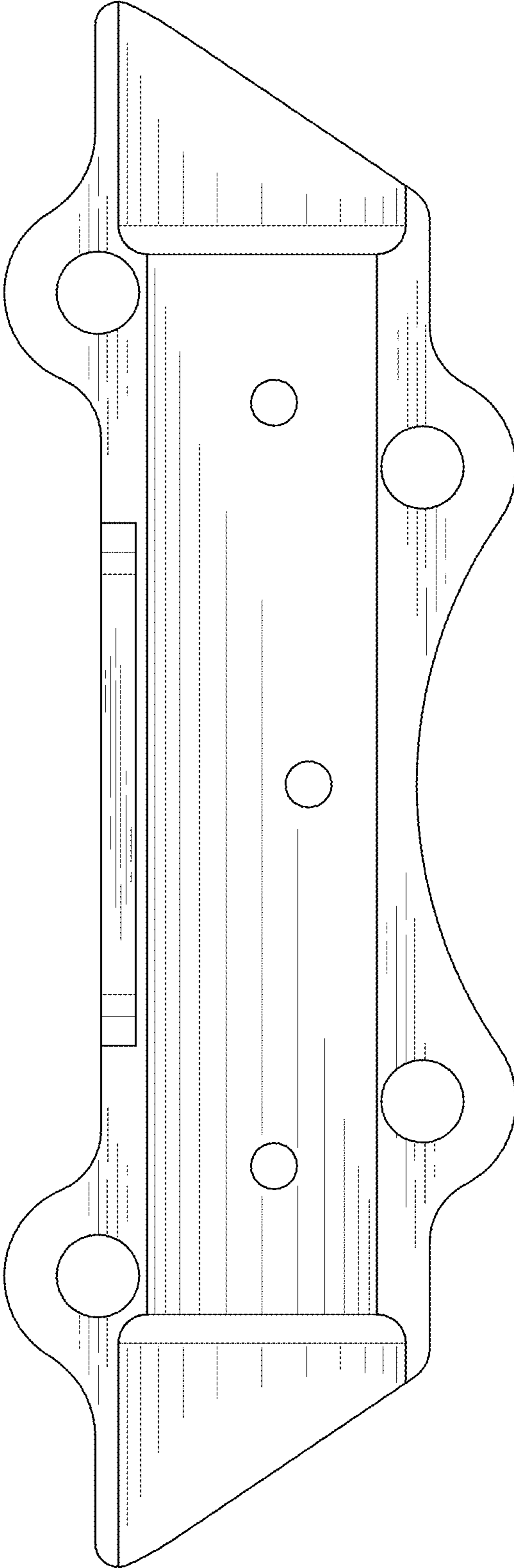


FIG. 8