

(56)

References Cited

U.S. PATENT DOCUMENTS

8,585,341 B1 11/2013 Oren et al.
8,668,430 B2 3/2014 Oren et al.
8,827,118 B2 9/2014 Oren
D778,787 S * 2/2017 Hackett D12/106
2014/0023463 A1 1/2014 Oren
2014/0023464 A1 1/2014 Oren et al.
2014/0299226 A1 10/2014 Oren et al.
2015/0003943 A1 1/2015 Oren et al.
2015/0003955 A1 1/2015 Oren et al.

* cited by examiner

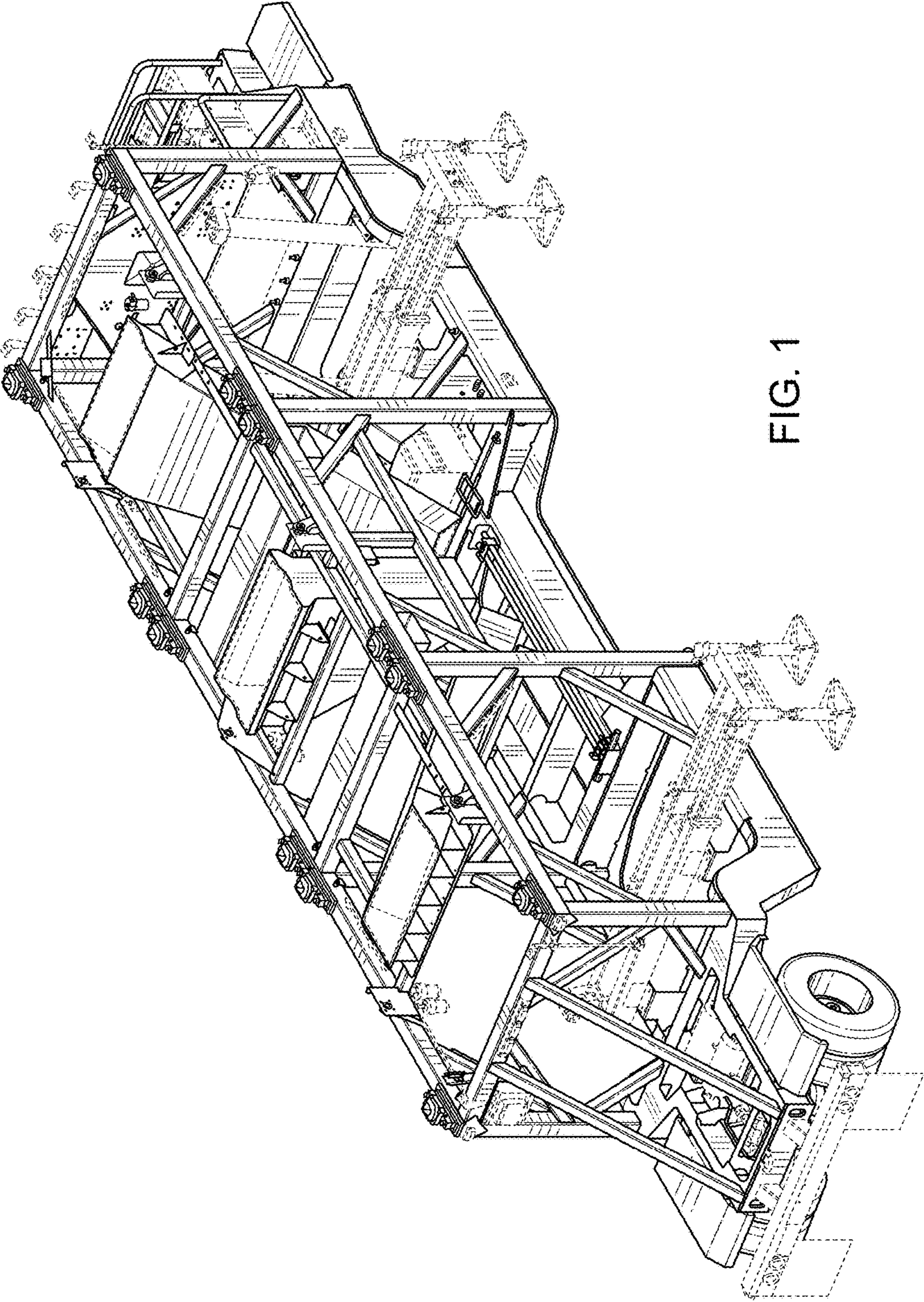


FIG. 1

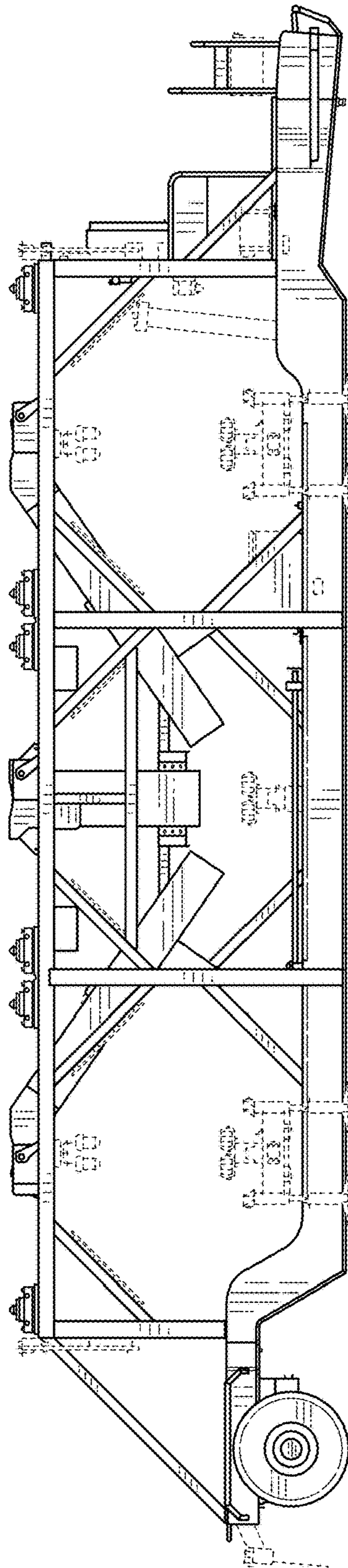


FIG. 2

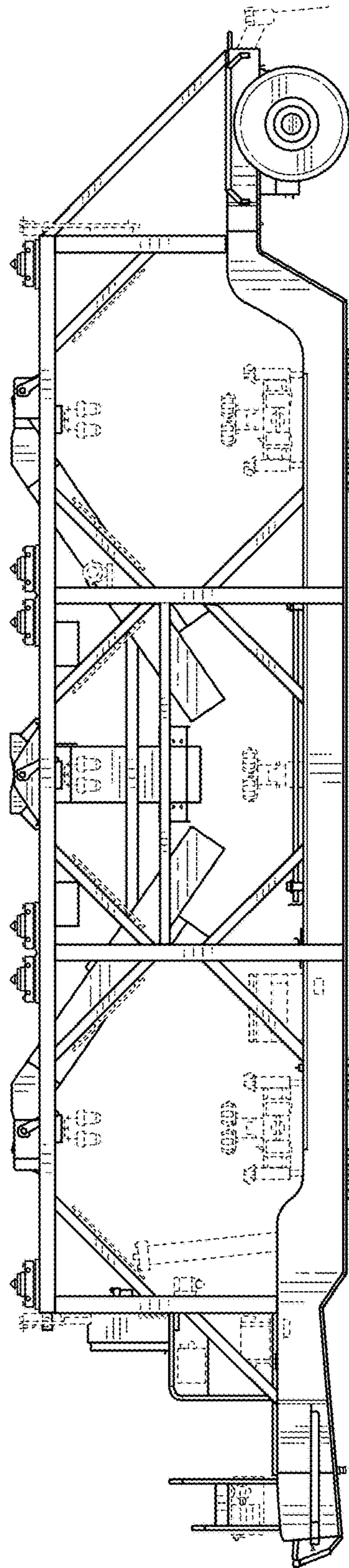


FIG. 3

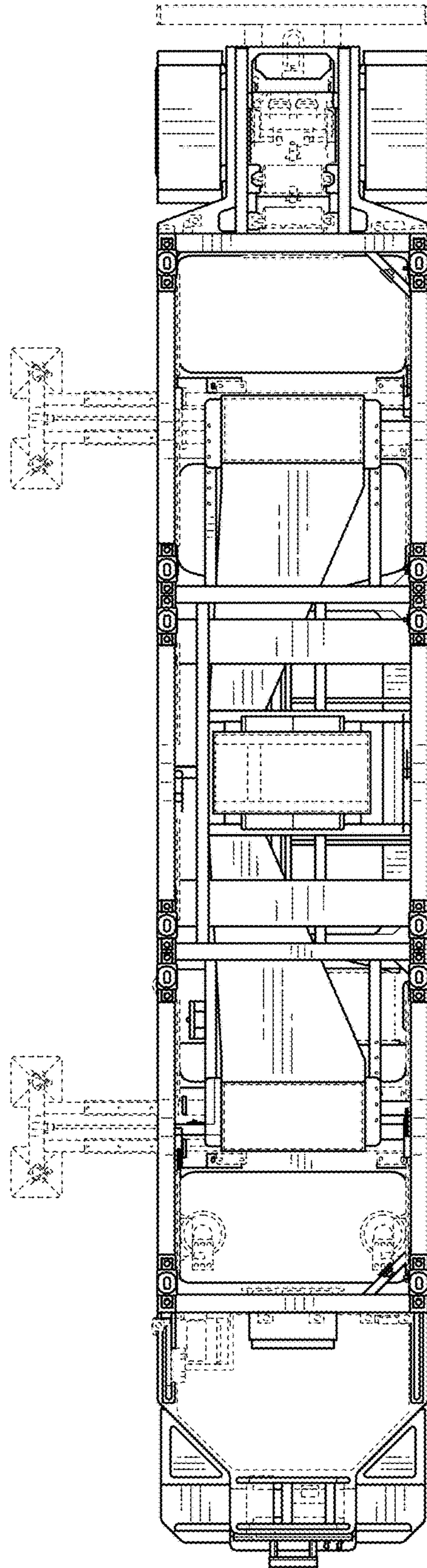


FIG. 4

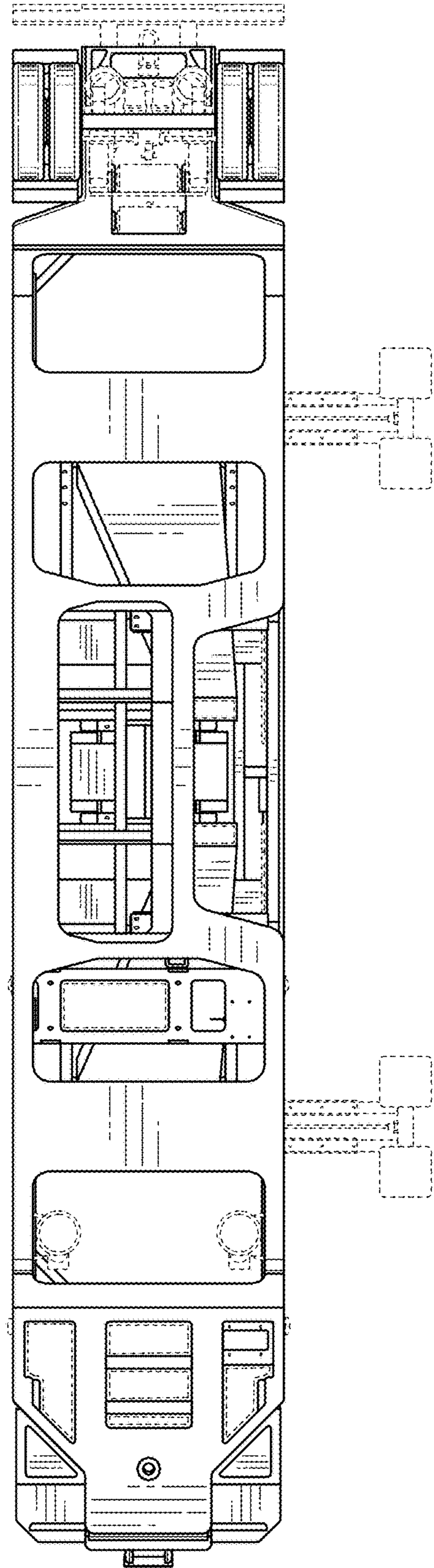


FIG. 5

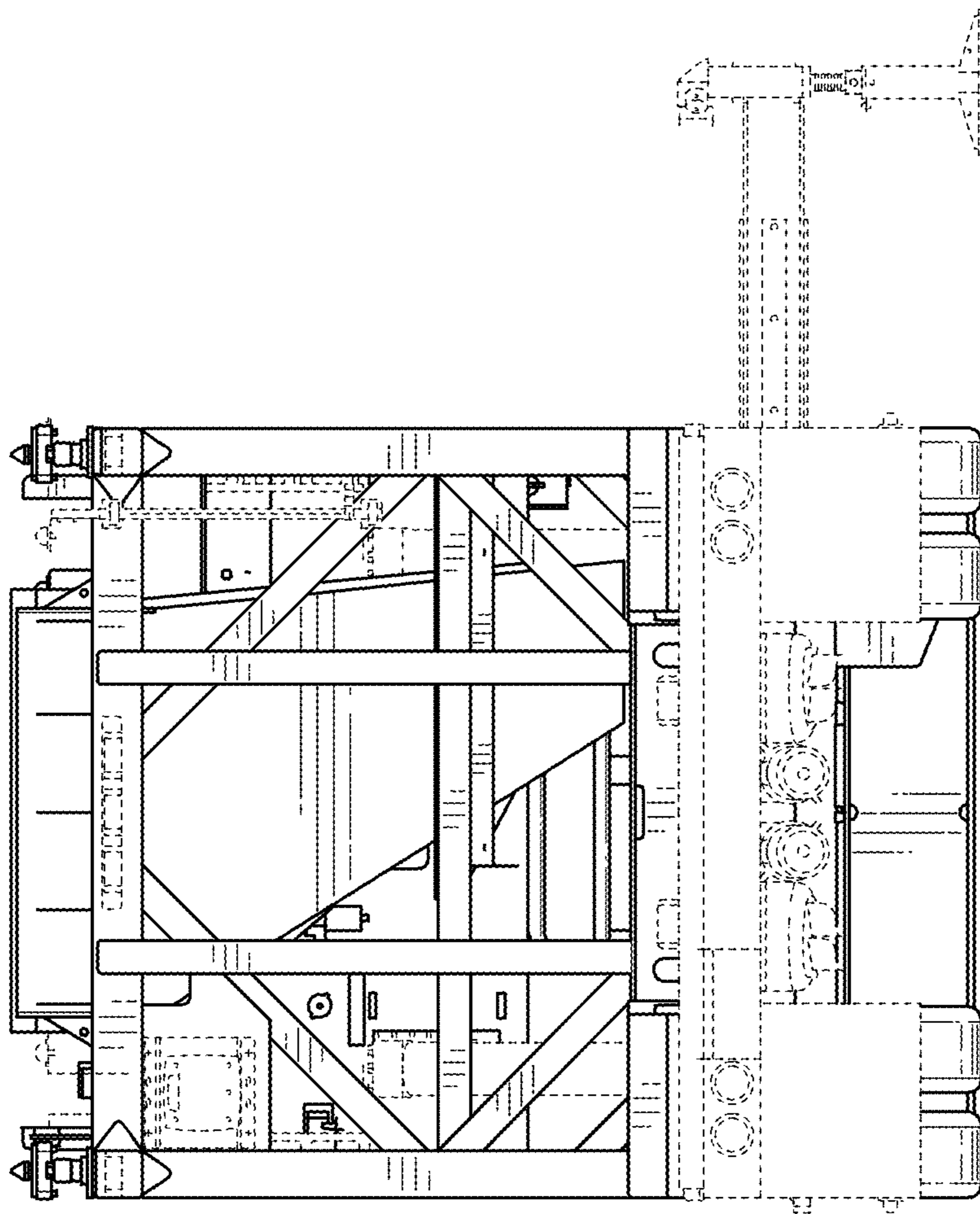


FIG. 6

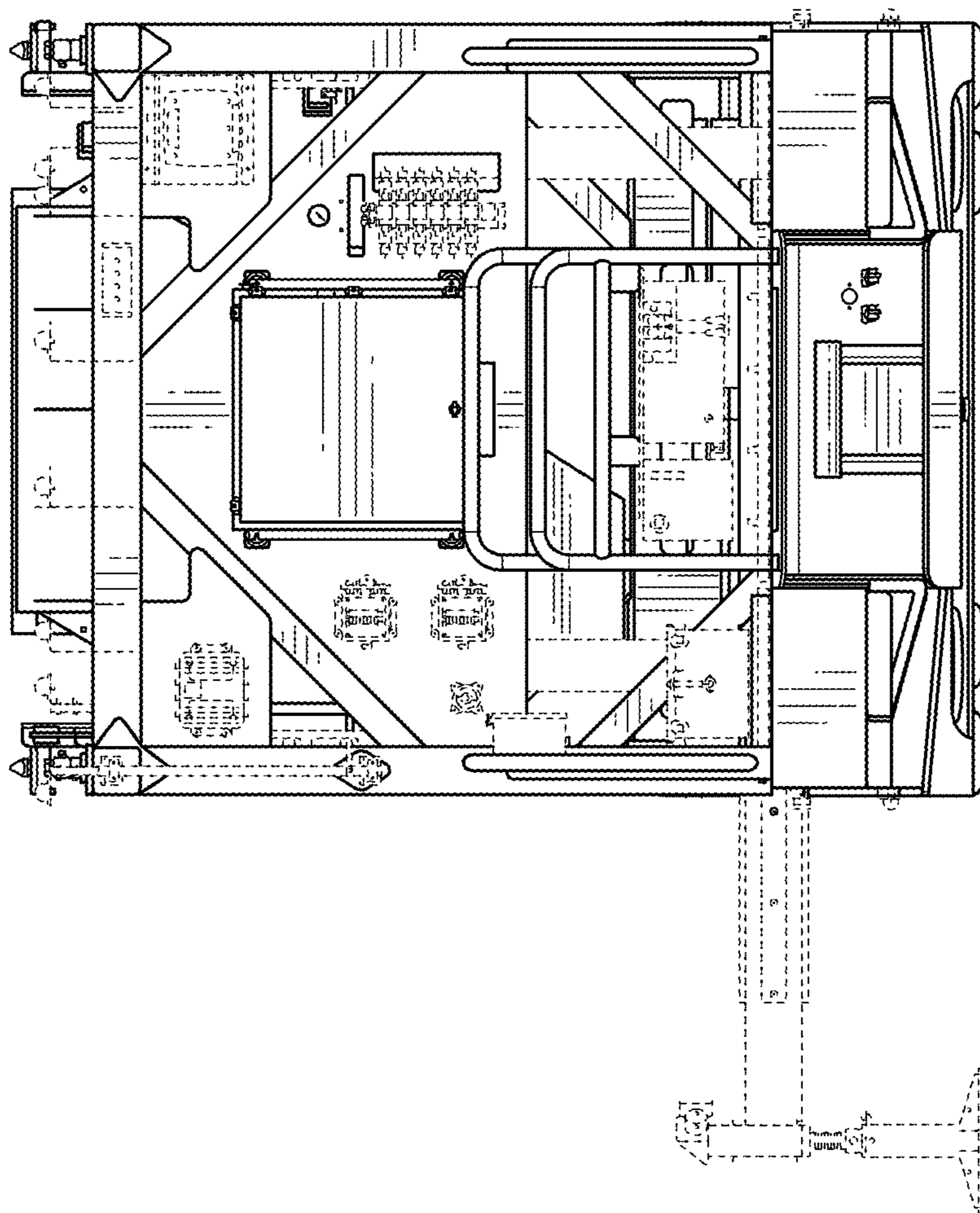


FIG. 7

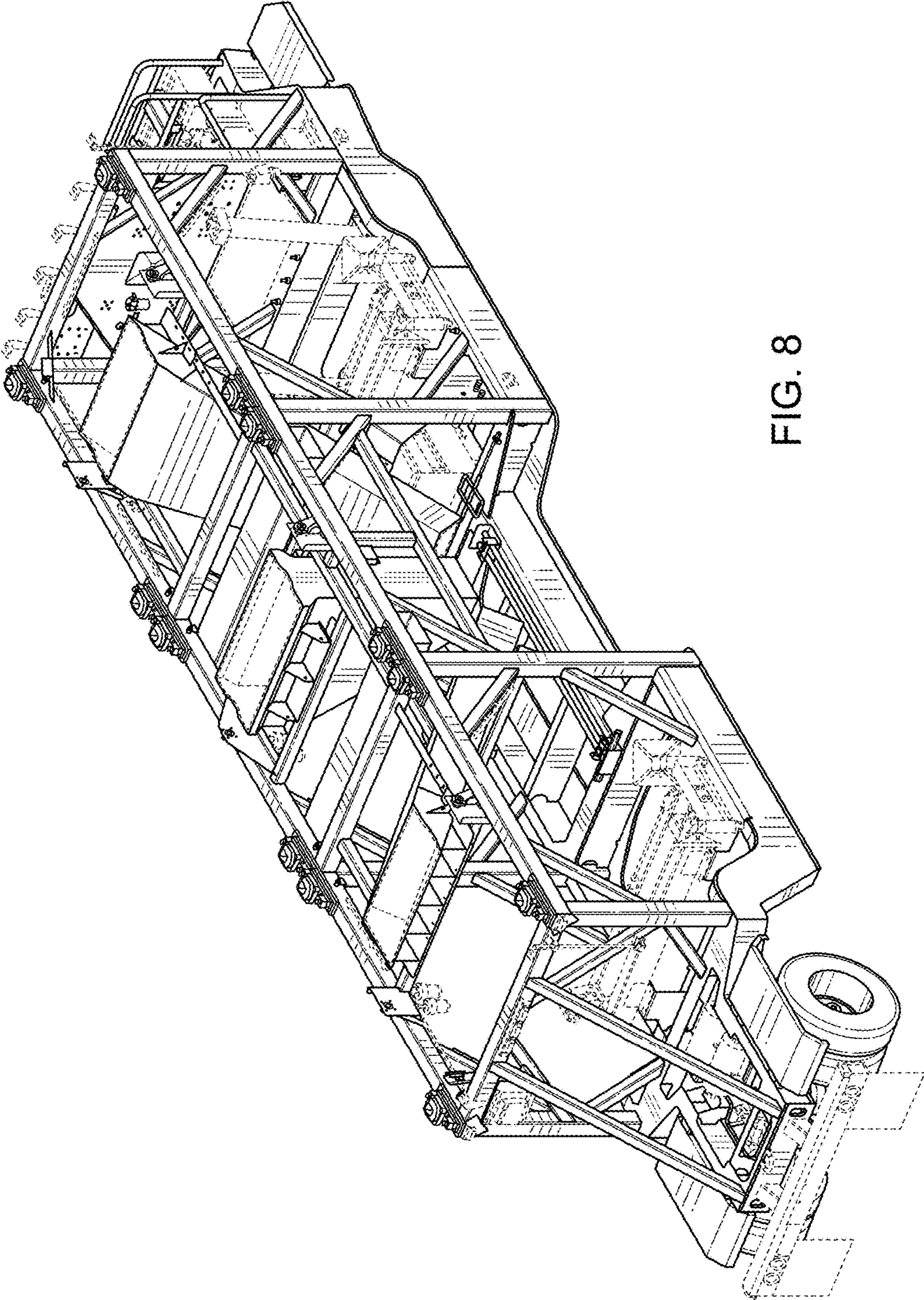


FIG. 8