



US00D830229S

(12) **United States Design Patent** (10) **Patent No.:** **US D830,229 S**
Lutterodt et al. (45) **Date of Patent:** **** Oct. 9, 2018**

(54) **DRONE**
(71) Applicant: **NEU ROBOTICS, INC.**, Weatherford, TX (US)
(72) Inventors: **Cyril Lutterodt**, Weatherford, TX (US); **Nitesh Panchal**, Arlington, TX (US)
(73) Assignee: **Neu Robotics, Inc.**, Weatherford, TX (US)
(**) Term: **15 Years**

D800,602 S * 10/2017 Hsiao D12/16.1
D808,301 S * 1/2018 Goldy D12/16.1
D808,328 S * 1/2018 Ivans D12/328
D810,621 S * 2/2018 Sadek D12/16.1
D810,653 S * 2/2018 Hu D12/327
D813,143 S * 3/2018 Belik D12/326
D813,723 S * 3/2018 Ahn D12/16.1
D813,724 S * 3/2018 Hu D12/16.1
D814,972 S * 4/2018 Ahn D12/16.1
2015/0336670 A1 * 11/2015 Zhang B64C 1/00
244/119
2016/0236777 A1 * 8/2016 Tang B64C 39/024
2016/0313742 A1 * 10/2016 Wang G05D 1/0669
2016/0337562 A1 * 11/2016 Kang H04N 5/2254

(Continued)

(21) Appl. No.: **29/613,863**
(22) Filed: **Aug. 14, 2017**
(51) **LOC (11) Cl.** **12-07**
(52) **U.S. Cl.**
USPC **D12/16.1**
(58) **Field of Classification Search**
USPC D12/16.1, 319-345; D21/436, 441, 442,
D21/443, 444, 447-454, 437
CPC B64C 2201/141; B64C 39/024; B64C
2201/127
See application file for complete search history.

OTHER PUBLICATIONS

XK X250 Parts RC Quadcopter Alien XK X250 Drone Spare parts Battery XK Model by yousky7. dated 2012. found online [May 10, 2018] <http://www.yousky7.com/XK-X250-Parts-Drone-Quadcopter-Spare-Parts-Battery/Index.html>.*

Primary Examiner — Brandon Michael Rosati
Assistant Examiner — Marissa J Cash

(57) **CLAIM**

The ornamental design for the drone, as shown and described.

(56) **References Cited**

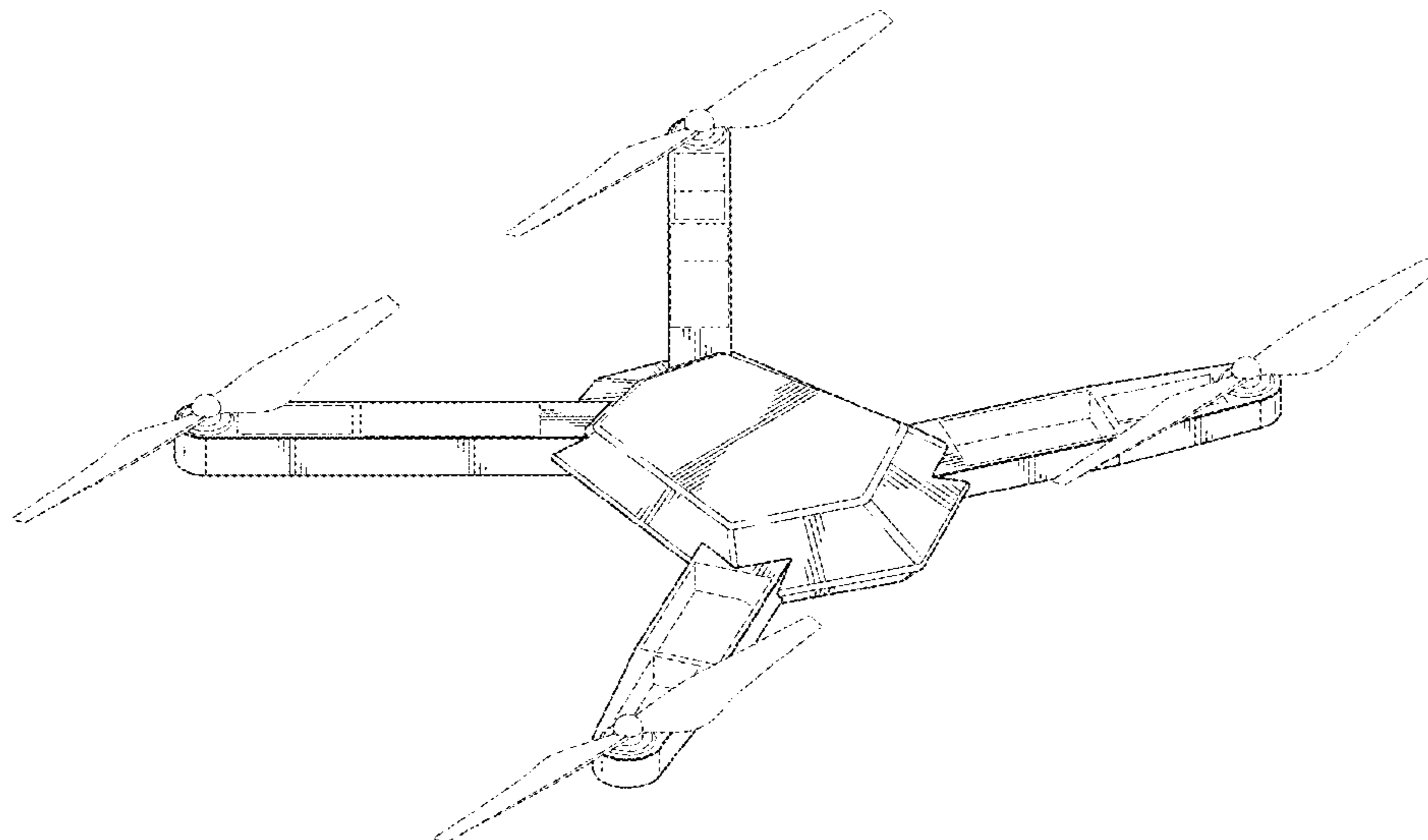
U.S. PATENT DOCUMENTS

D197,038 S * 12/1963 Howard D12/329
D238,349 S * 1/1976 Finn D12/331
D241,361 S * 9/1976 Crew 446/46
D340,480 S * 10/1993 Cummings D21/437
D456,337 S * 4/2002 Sankrithi D12/335
D616,804 S * 6/2010 Manley D12/319
D628,658 S * 12/2010 Wurm D21/442
D710,454 S * 8/2014 Barajas D12/16.1
D760,848 S * 7/2016 McKenna D12/16.1
D763,134 S * 8/2016 Wang D12/16.1
D782,365 S * 3/2017 Hung D12/16.1
9,623,969 B2 * 4/2017 Nelson B64C 39/024
D795,784 S * 8/2017 Guo D12/328

DESCRIPTION

FIG. 1 is a front perspective view of a drone, showing our new design;
FIG. 2 is a front elevation view of the drone of FIG. 1;
FIG. 3 is a rear elevation view of the drone of FIG. 1;
FIG. 4 is a right side view of the drone of FIG. 1;
FIG. 5 is a left side view of the drone of FIG. 1;
FIG. 6 is a top view of the drone of FIG. 1; and,
FIG. 7 is a bottom view of the drone of FIG. 1.
The broken line showing of portions of the drone depicts environment and forms no part of the claim.

1 Claim, 4 Drawing Sheets



(56)

References Cited

U.S. PATENT DOCUMENTS

2016/0347479 A1* 12/2016 O'Neil B64D 43/00
2017/0144751 A1* 5/2017 Yu B64C 27/001
2017/0301109 A1* 10/2017 Chan G06T 7/75
2017/0355460 A1* 12/2017 Shannon B64C 39/024
2018/0105271 A1* 4/2018 Wypyszynski B64D 1/00

* cited by examiner

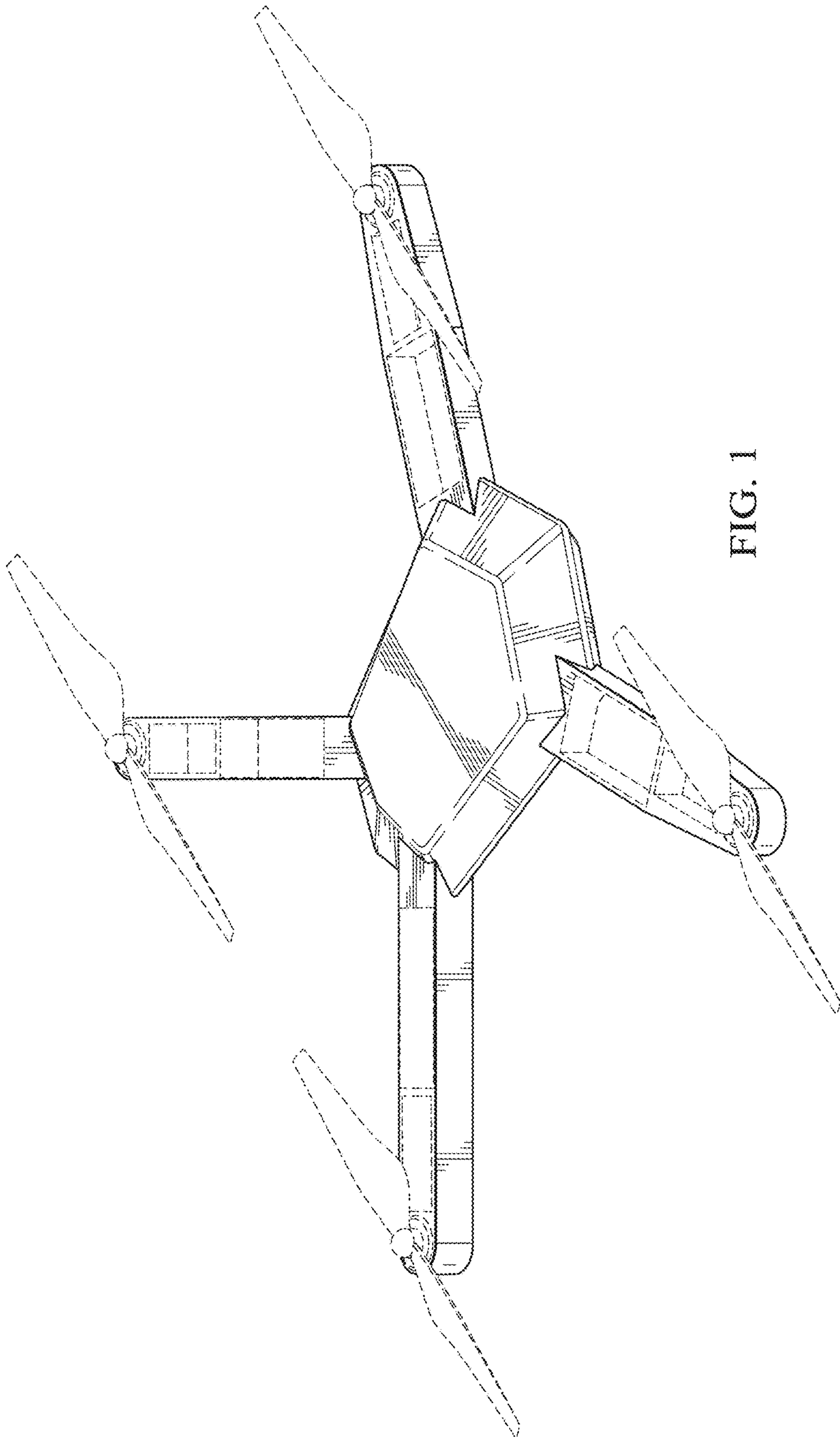


FIG. 1

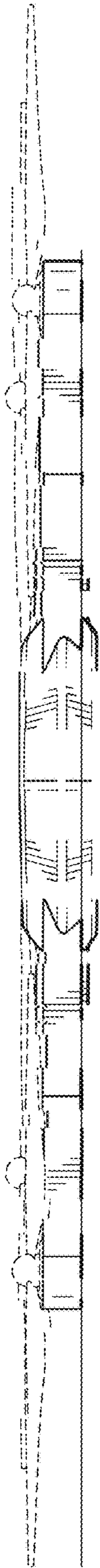


FIG. 2

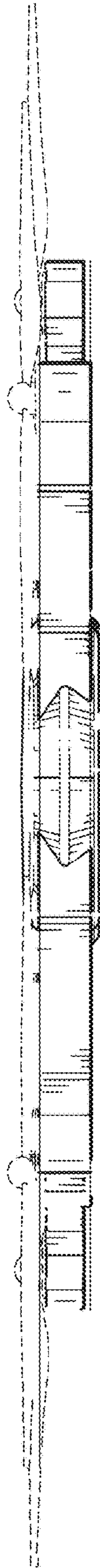


FIG. 3

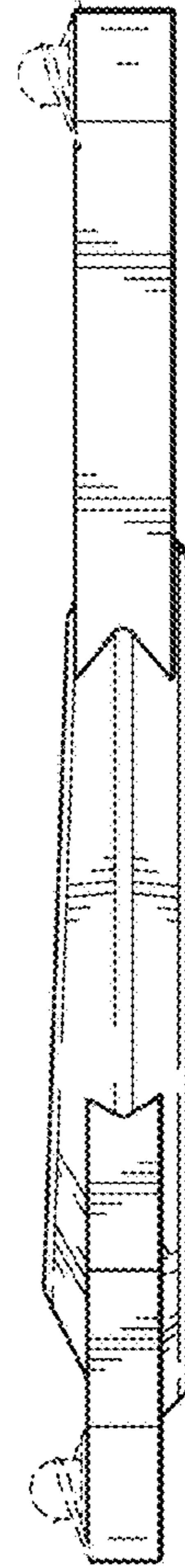


FIG. 4

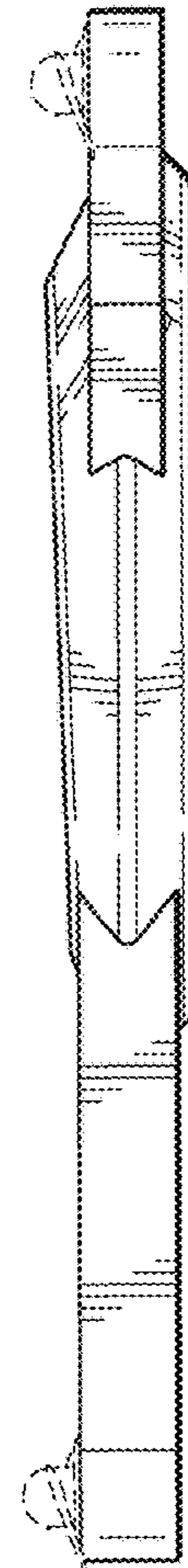


FIG. 5

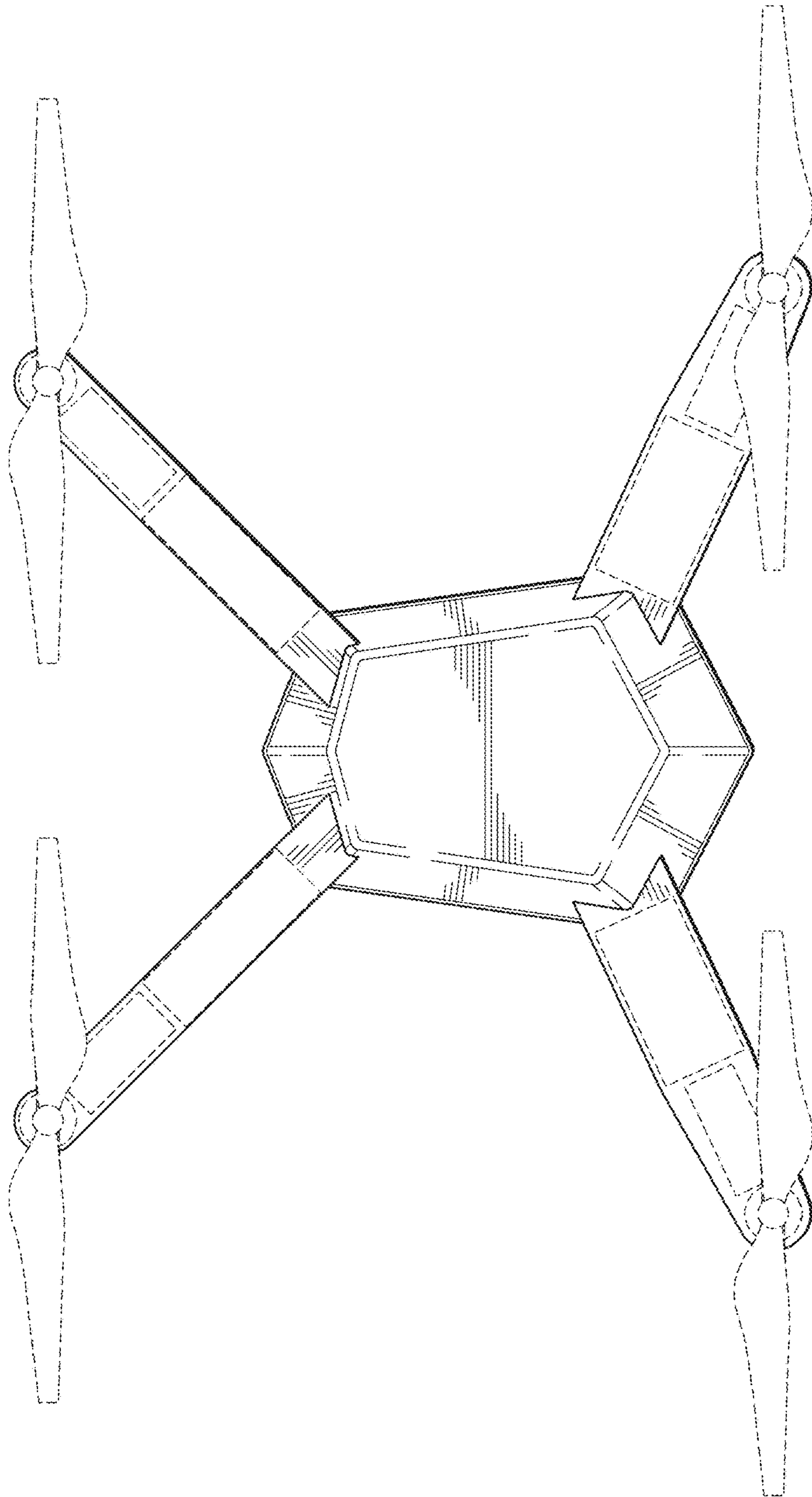


FIG. 6

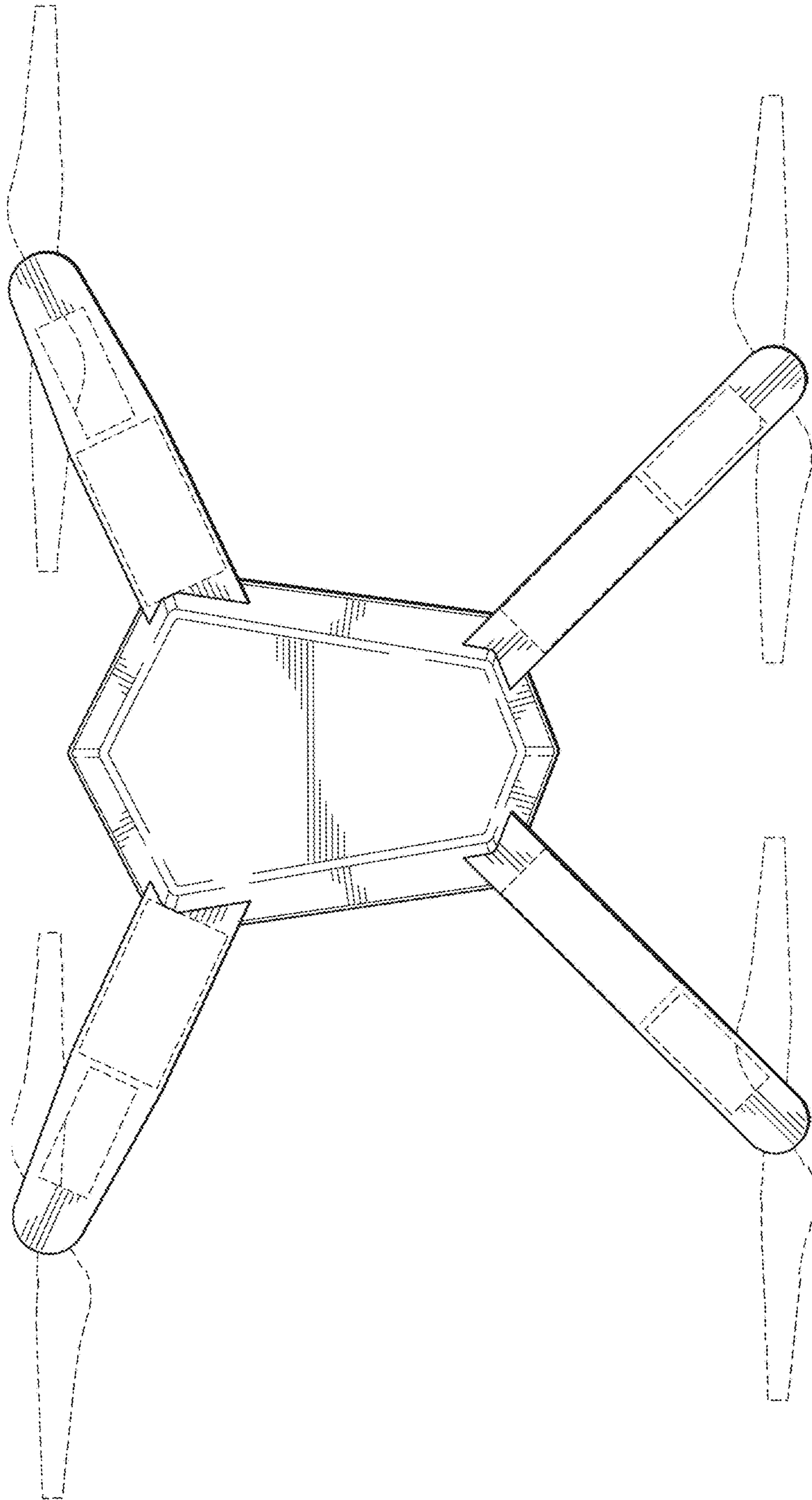


FIG. 7