



US00D830227S

(12) **United States Design Patent**  
**Mouquet**

(10) **Patent No.:** **US D830,227 S**

(45) **Date of Patent:** **\*\* Oct. 9, 2018**

(54) **BUCKLE**

(71) Applicant: **HERMES SELLIER (SOCIÉTÉ PAR ACTIONS SIMPLIFIÉE)**, Paris (FR)

(72) Inventor: **Philippe Mouquet**, Paris (FR)

(\*\*) Term: **15 Years**

(21) Appl. No.: **35/503,540**

(22) Filed: **Jul. 27, 2017**

(80) **Hague Agreement Data**

Int. Filing Date: **Jul. 27, 2017**

Int. Reg. No.: **DM/097188**

Int. Reg. Date: **Jul. 27, 2017**

Int. Reg. Pub. Date: **Aug. 18, 2017**

(51) **LOC (11) Cl.** ..... **02-07**

(52) **U.S. Cl.**  
USPC ..... **D11/231; D11/218**

(58) **Field of Classification Search**  
USPC ..... D11/1-2, 200-201, 206-210, 214-219;  
D8/349, 395, 356

CPC ..... A44B 11/06; A44B 11/26; A44B 11/25;  
A41F 11/04

See application file for complete search history.

(56) **References Cited**

**U.S. PATENT DOCUMENTS**

D77,791 S \* 2/1929 Slote ..... D11/218  
D183,376 S \* 8/1958 Stollman ..... D11/219

D363,257 S \* 10/1995 Anscher ..... D11/218  
D503,896 S \* 4/2005 Vidal ..... D10/39  
D536,281 S \* 2/2007 Mouquet ..... D11/234  
D713,294 S \* 9/2014 Mouquet ..... D11/231  
D715,184 S \* 10/2014 Howard McElroy ..... D11/200  
D717,145 S \* 11/2014 Tang ..... D11/218  
D718,184 S \* 11/2014 Nealon ..... D11/202  
D737,173 S \* 8/2015 Kelleghan ..... D11/201  
D737,722 S \* 9/2015 Muhlenfeld ..... D11/208  
D795,132 S \* 8/2017 Dumas ..... D11/231  
D805,955 S \* 12/2017 Minson ..... D11/218  
D811,934 S \* 3/2018 Martinet ..... A44B 11/001

D11/218  
2007/0193003 A1 \* 8/2007 Matussek ..... A44B 11/001  
24/163 K

\* cited by examiner

*Primary Examiner* — Keli L Hill

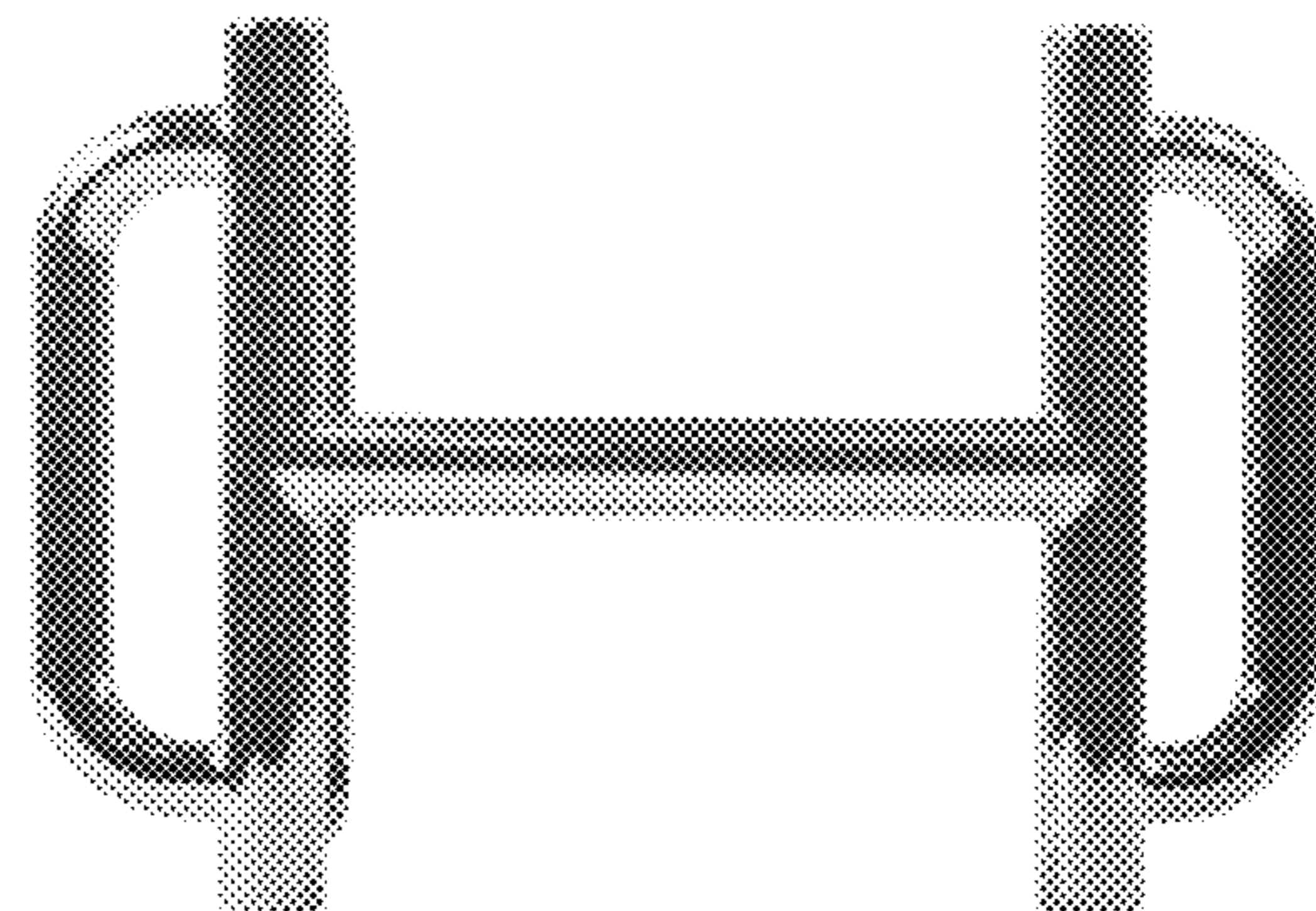
(57) **CLAIM**

The ornamental design for a buckle, as shown and described.

**DESCRIPTION**

- 1. Buckle
- 1.1 : Perspective
- 1.2 : Front
- 1.3 : Back
- 1.4 : Right
- 1.5 : Left
- 1.6 : Top
- 1.7 : Bottom

**1 Claim, 7 Drawing Sheets**

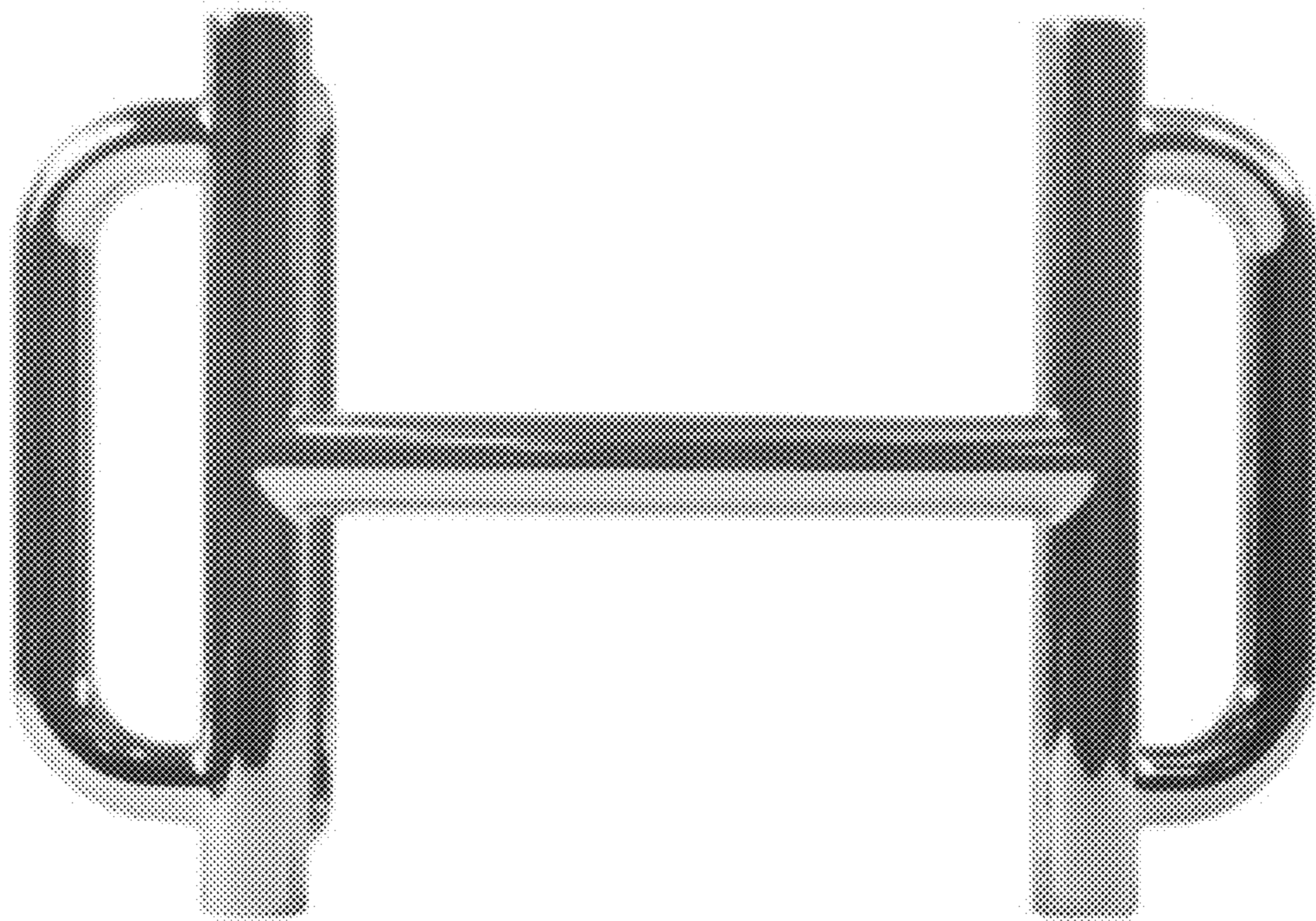




**1.1**

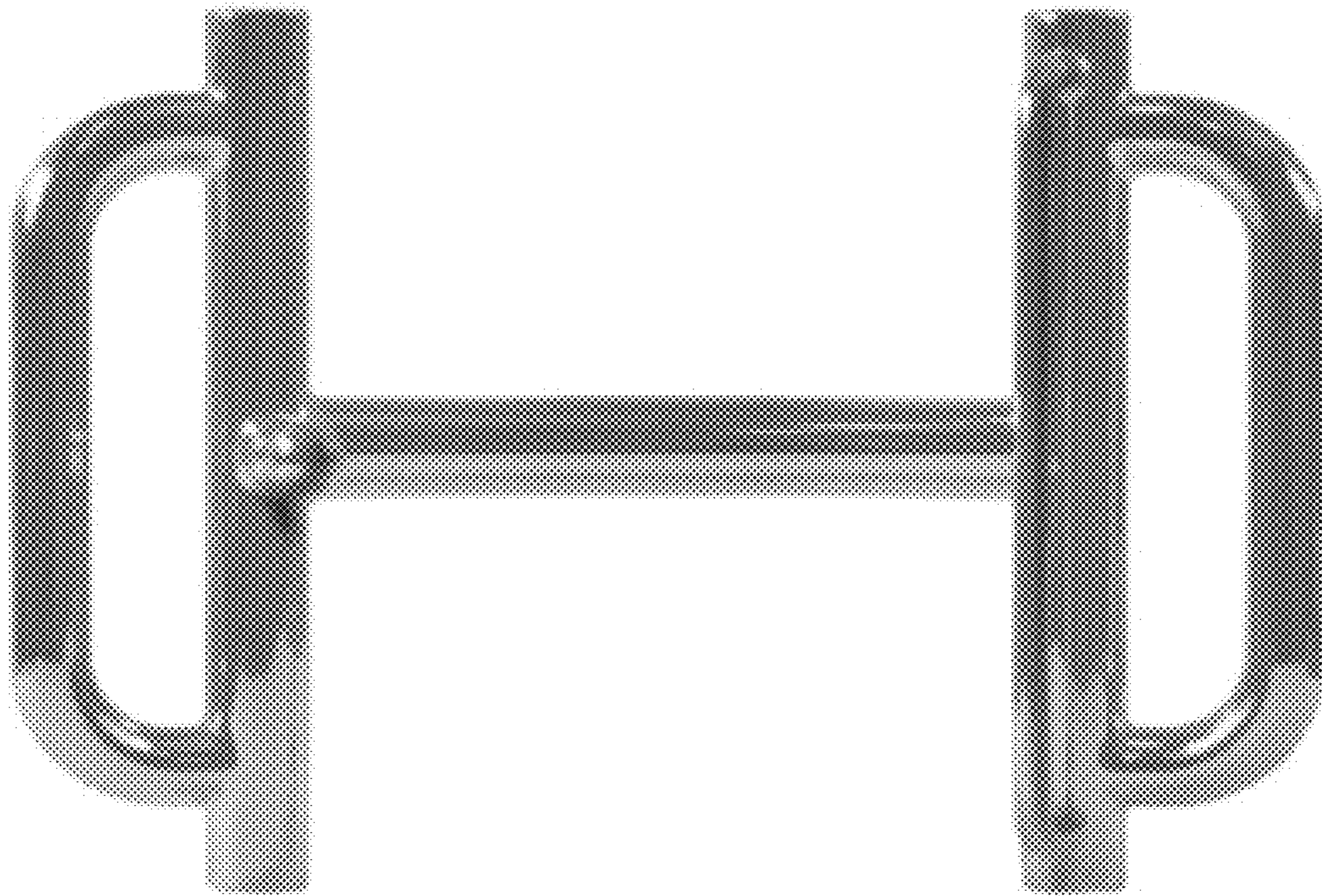


**1.2**

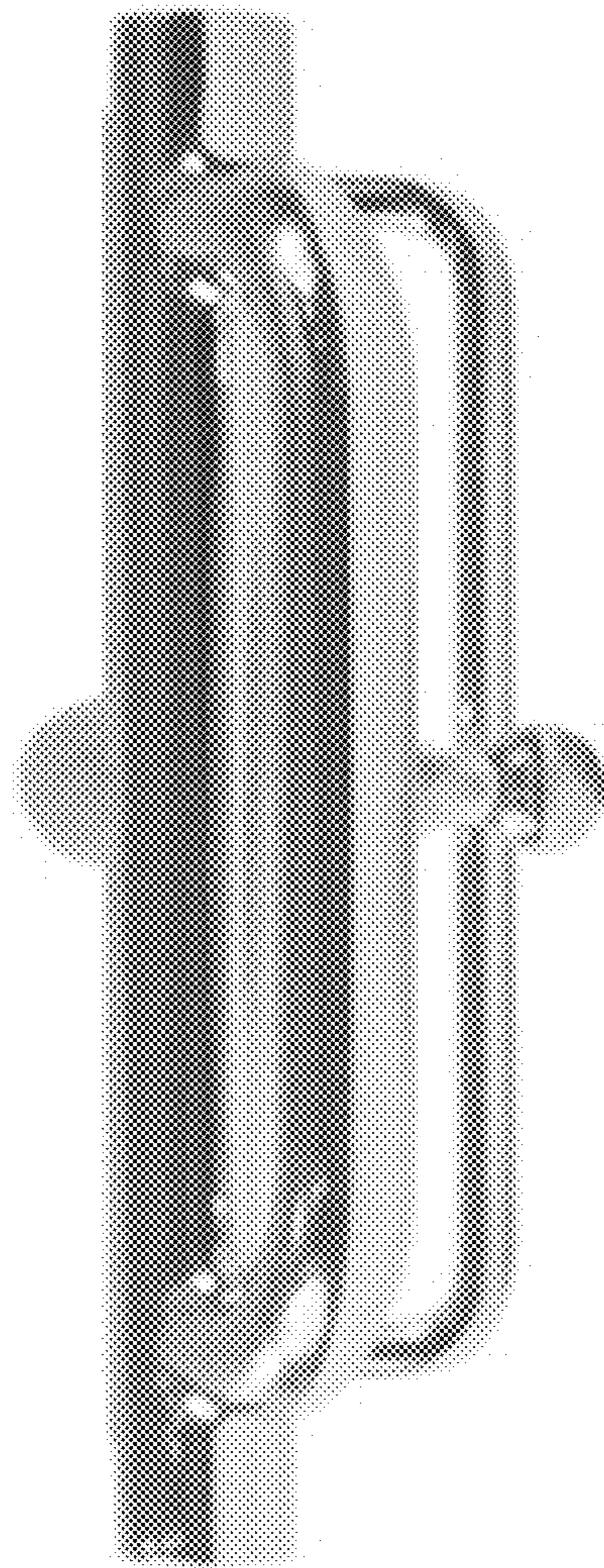




**1.3**

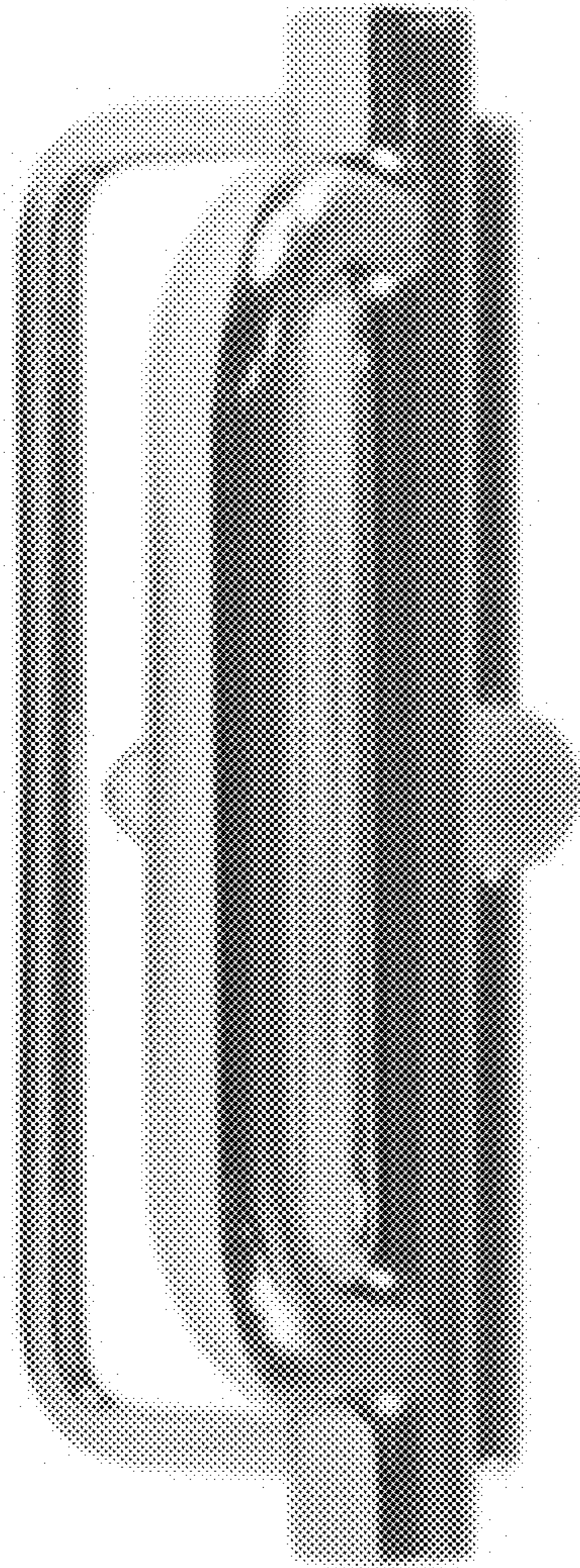


**1.4**

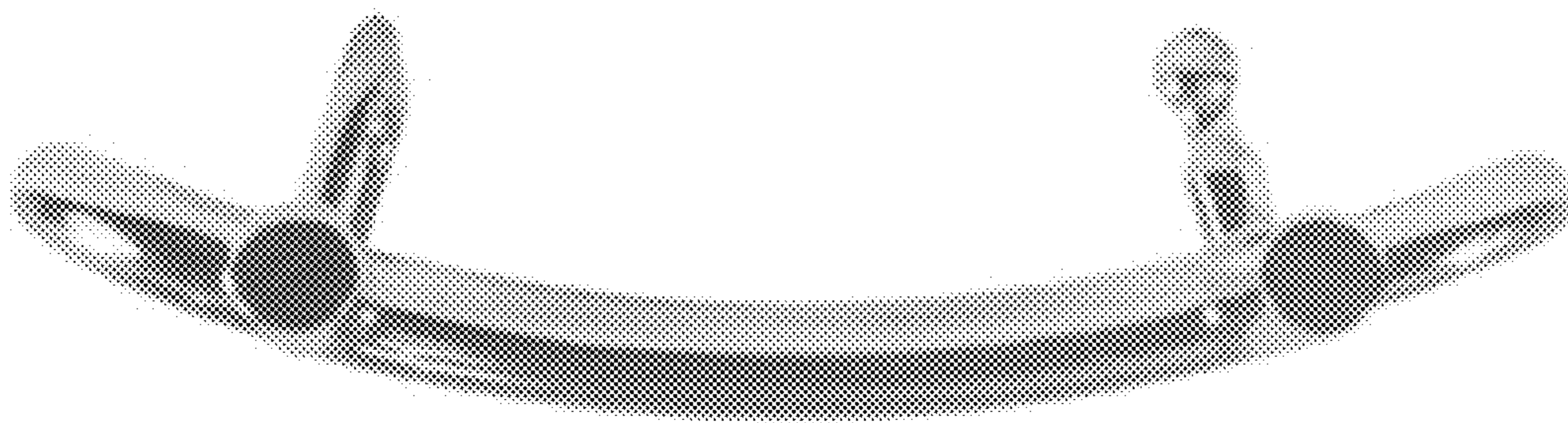




1.5



**1.6**



**1.7**

