



US00D830226S

(12) **United States Design Patent** (10) **Patent No.:** **US D830,226 S**  
**Chang et al.** (45) **Date of Patent:** **\*\* Oct. 9, 2018**

(54) **BUCKLE**  
(71) Applicant: **GETAC TECHNOLOGY CORPORATION**, Hsinchu County (TW)  
(72) Inventors: **Chia-Wei Chang**, Taipei (TW); **Kuang-Yeh Chang**, Taipei (TW)  
(73) Assignee: **GETAC TECHNOLOGY CORPORATION**, Hsinchu County (TW)

(\*\*) Term: **15 Years**

(21) Appl. No.: **29/612,694**

(22) Filed: **Aug. 3, 2017**

(51) **LOC (11) Cl.** ..... **02-07**

(52) **U.S. Cl.**  
USPC ..... **D11/218**

(58) **Field of Classification Search**  
USPC ..... D11/200, 201, 206, 208, 210, 216, 218;  
D14/230–238.1, 299, 138, 358; D12/195  
CPC ..... A44B 11/25; A44B 11/006; A44B 11/005;  
A44B 11/20; A44B 11/12; F16M 11/041  
See application file for complete search history.

(56) **References Cited**

**U.S. PATENT DOCUMENTS**

D263,260 S \* 3/1982 Heil ..... D11/210  
D631,787 S \* 2/2011 Grimm ..... D11/218  
D667,753 S \* 9/2012 Nanbu ..... D11/210  
D671,442 S \* 11/2012 Paik ..... D11/216

D674,804 S \* 1/2013 Cote ..... D14/447  
D686,942 S \* 7/2013 Watson ..... D11/201  
D710,249 S \* 8/2014 Nilsen ..... D11/218  
D714,185 S \* 9/2014 Kelleghan ..... D11/218  
9,603,418 B2 \* 3/2017 Grimm ..... A44B 11/25  
D799,368 S \* 10/2017 Turvold ..... D11/200  
D805,952 S \* 12/2017 Renforth ..... D11/216  
2006/0070215 A1 \* 4/2006 Sung ..... A44B 11/006  
24/615  
2013/0105662 A1 \* 5/2013 Cote ..... F16M 11/041  
248/689

\* cited by examiner

*Primary Examiner* — Karen S Acker  
*Assistant Examiner* — Jerry Shiuan-Hua Hsu

(57) **CLAIM**

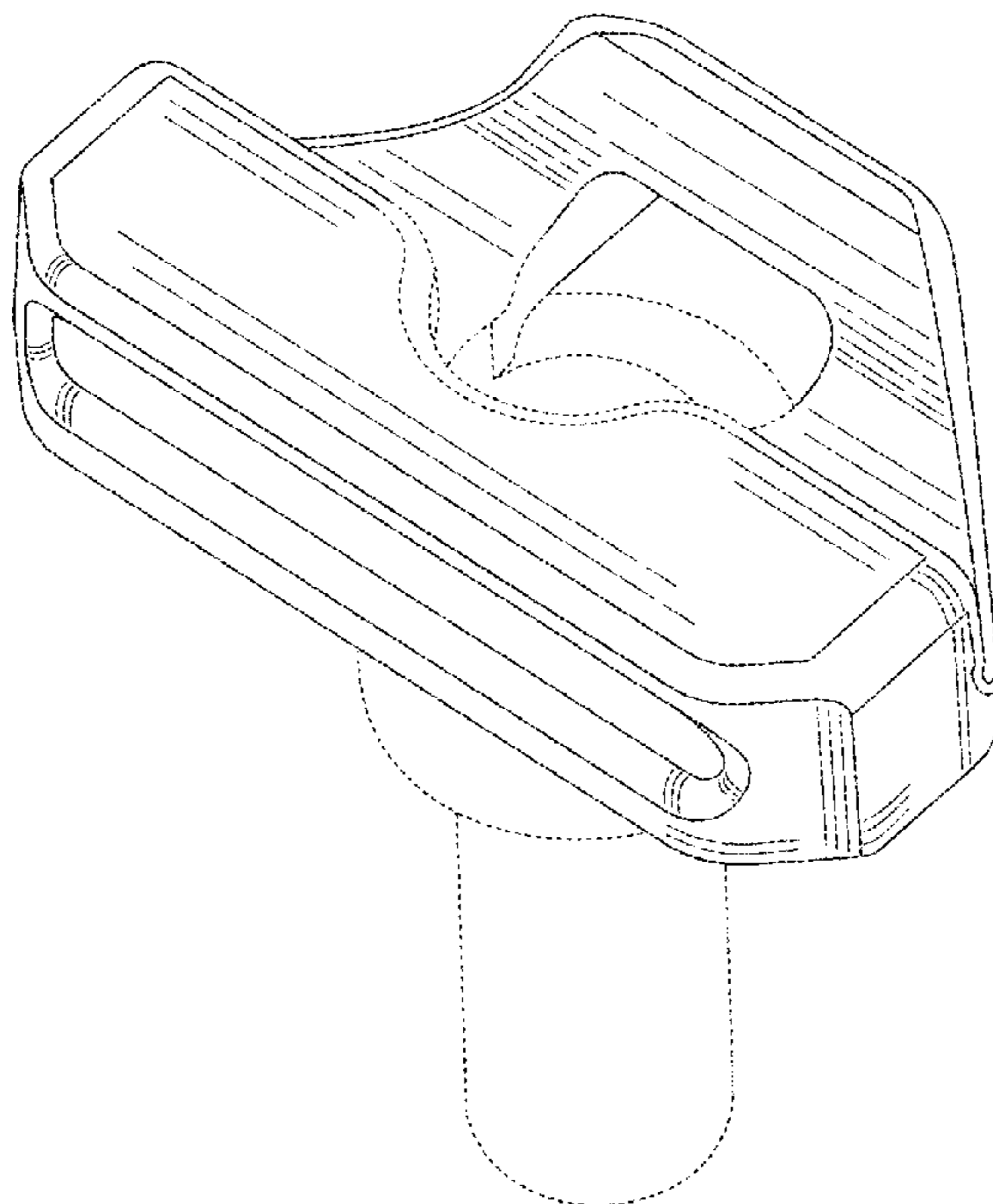
The ornamental design for a buckle, as shown and described.

**DESCRIPTION**

FIG. 1 is a perspective view of a buckle showing the claimed design;  
FIG. 2 is another perspective view thereof;  
FIG. 3 is a front elevational view thereof;  
FIG. 4 is a rear elevational view of thereof;  
FIG. 5 is a left side elevational view of thereof;  
FIG. 6 is a right side elevational view of thereof;  
FIG. 7 is a top plan view of thereof;  
FIG. 8 is a bottom plan view of thereof; and,  
FIG. 9 is perspective view showing the buckle in a usage state.

The broken lines and unshaded areas adjacent to shaded areas represent environmental subject matter that forms no part of the claimed design.

**1 Claim, 9 Drawing Sheets**



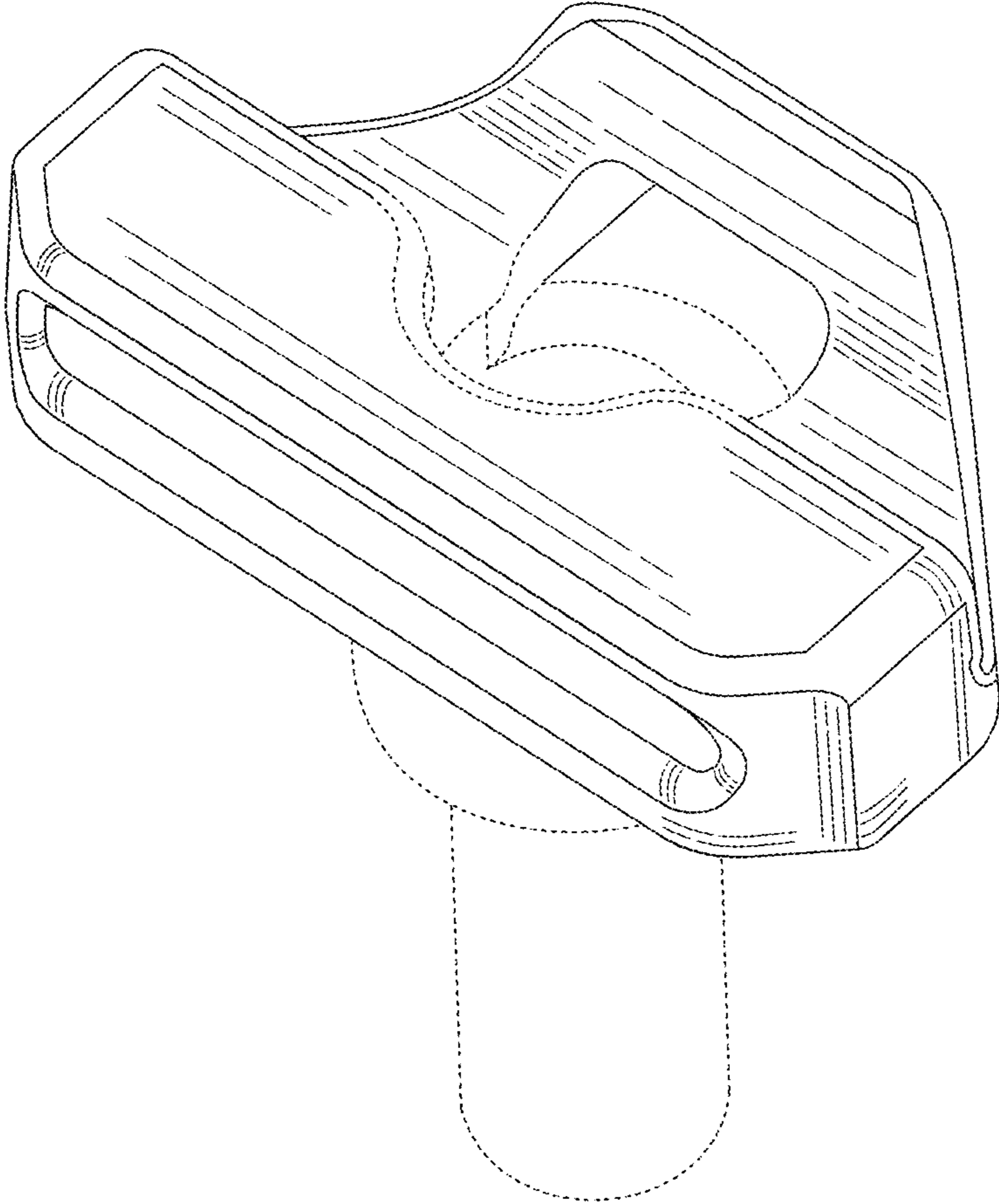


FIG. 1

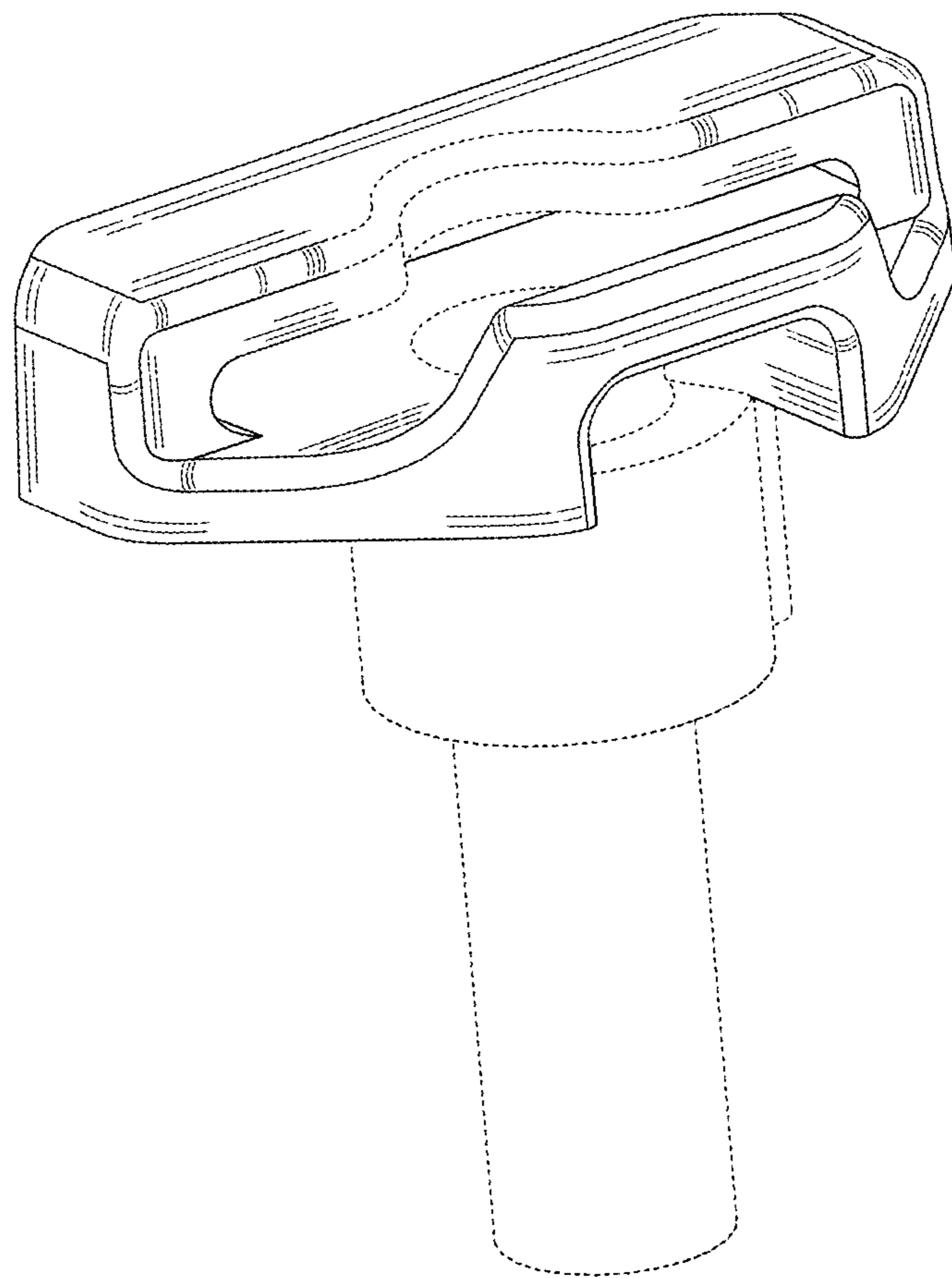


FIG. 2

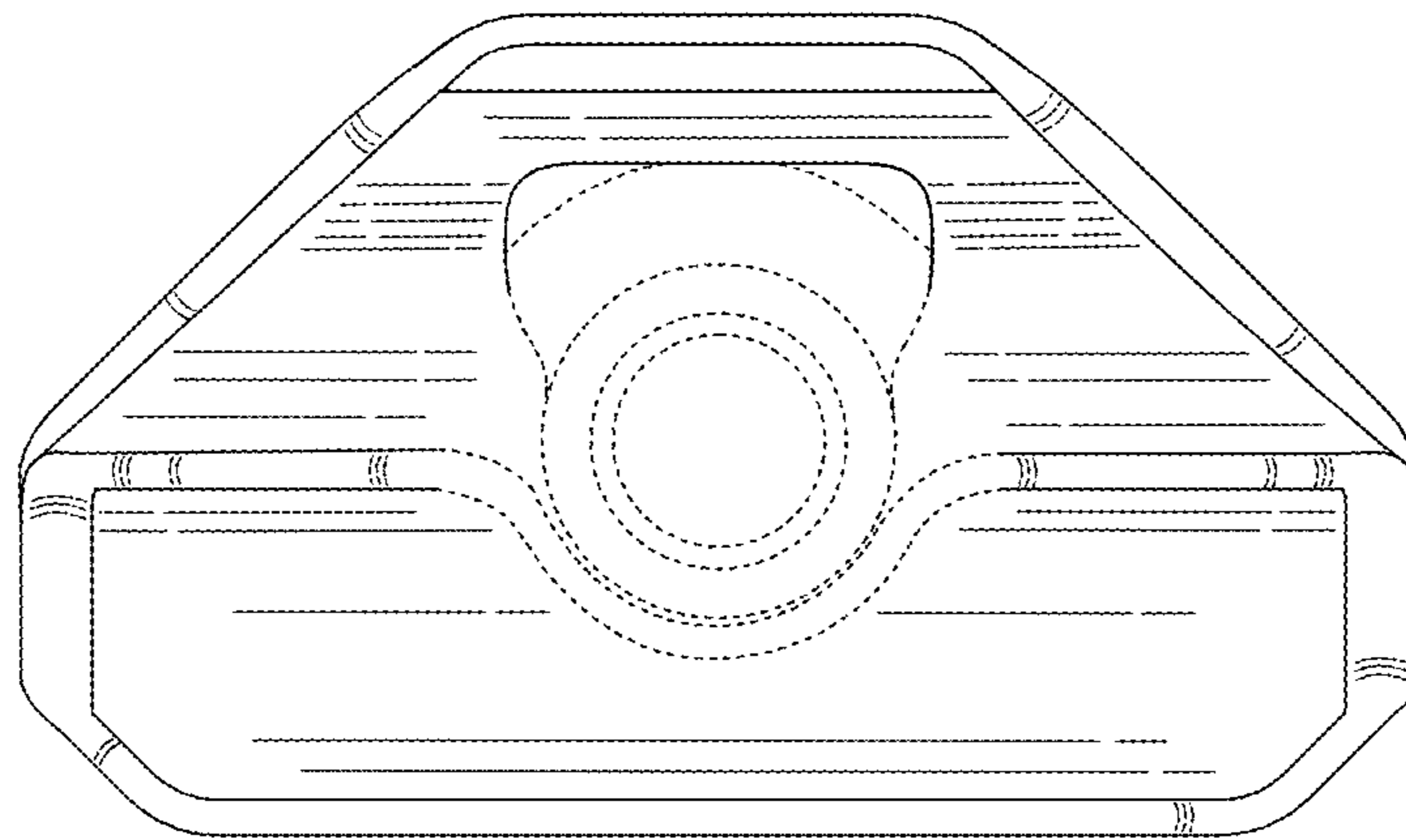


FIG. 3

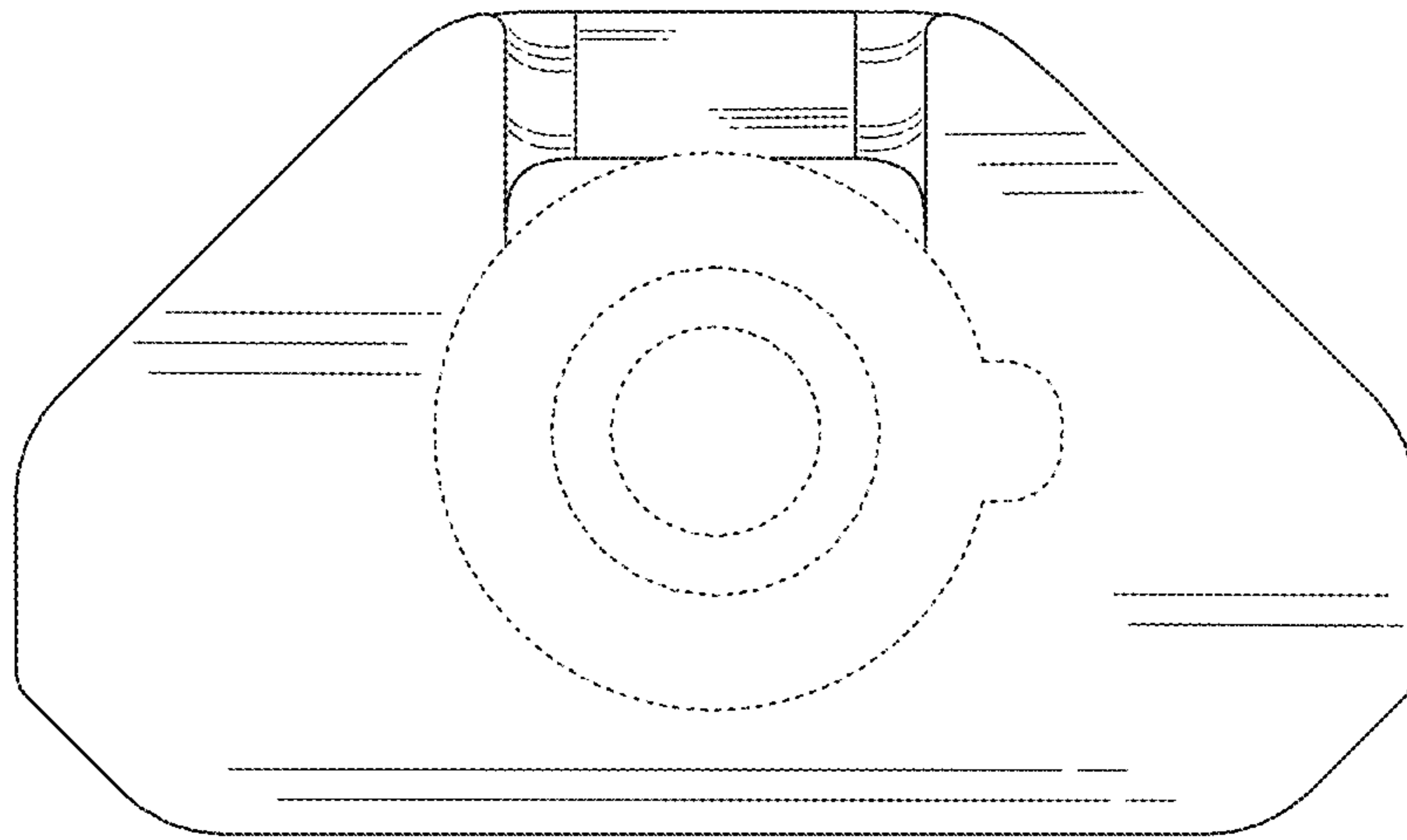


FIG. 4

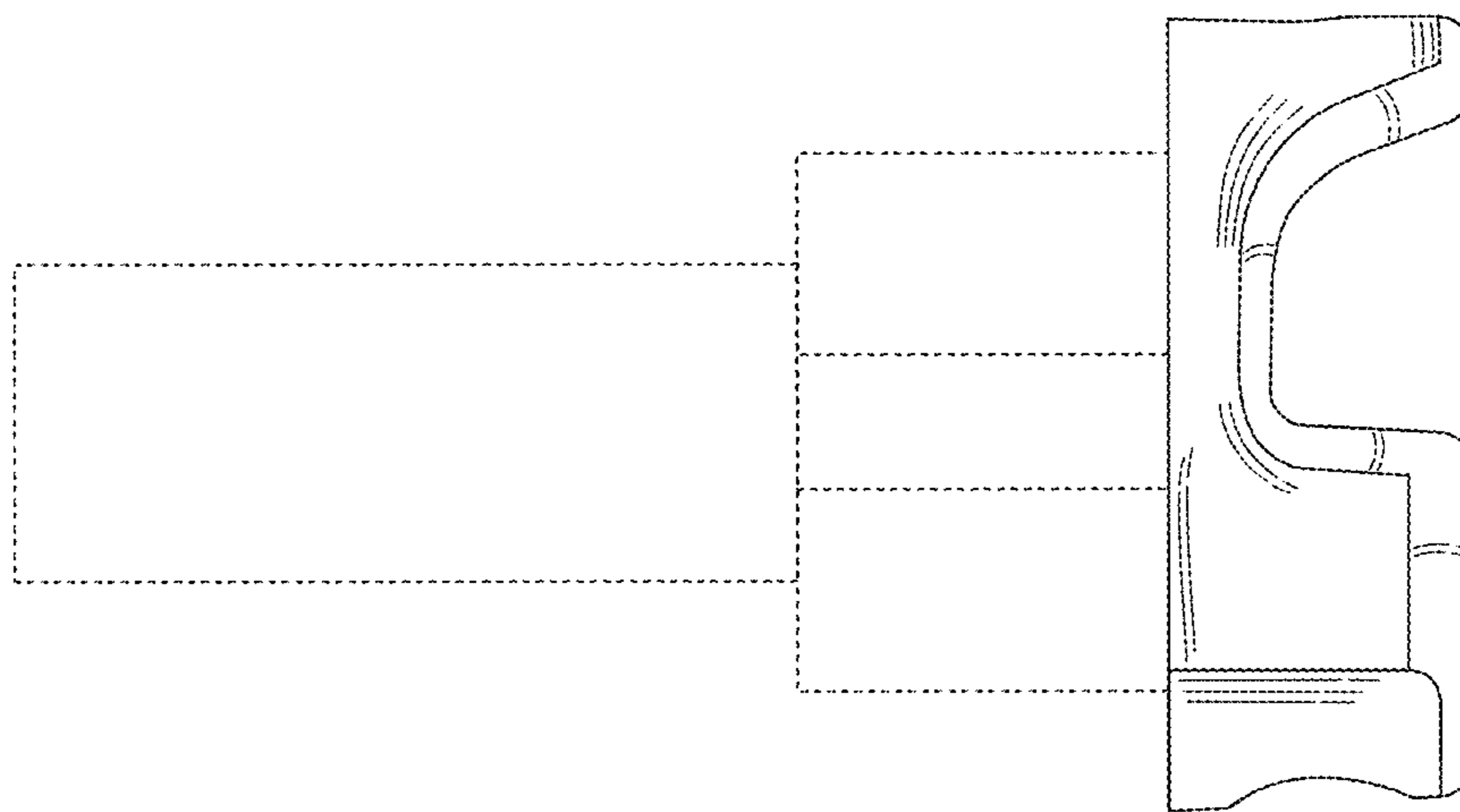


FIG. 5

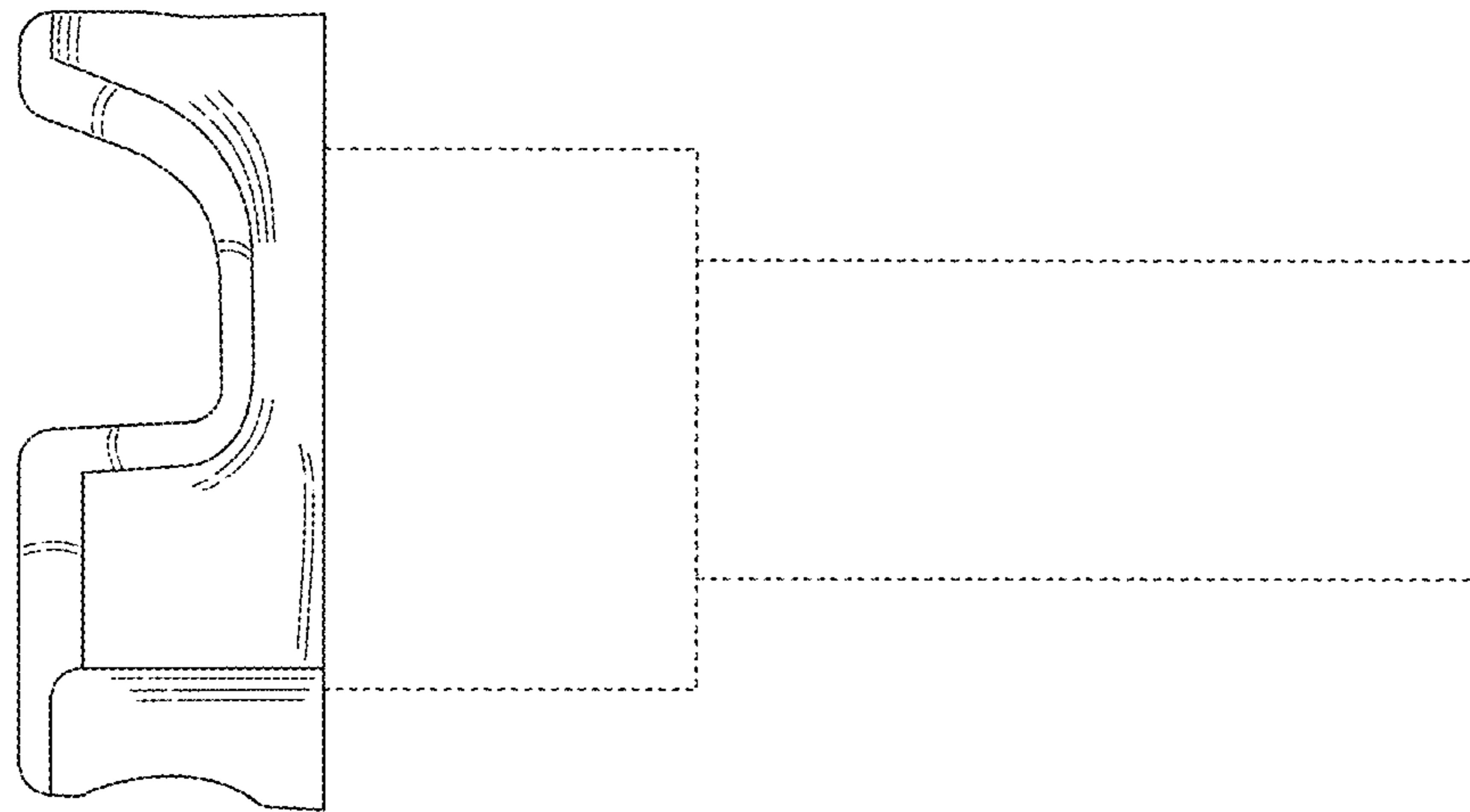


FIG. 6

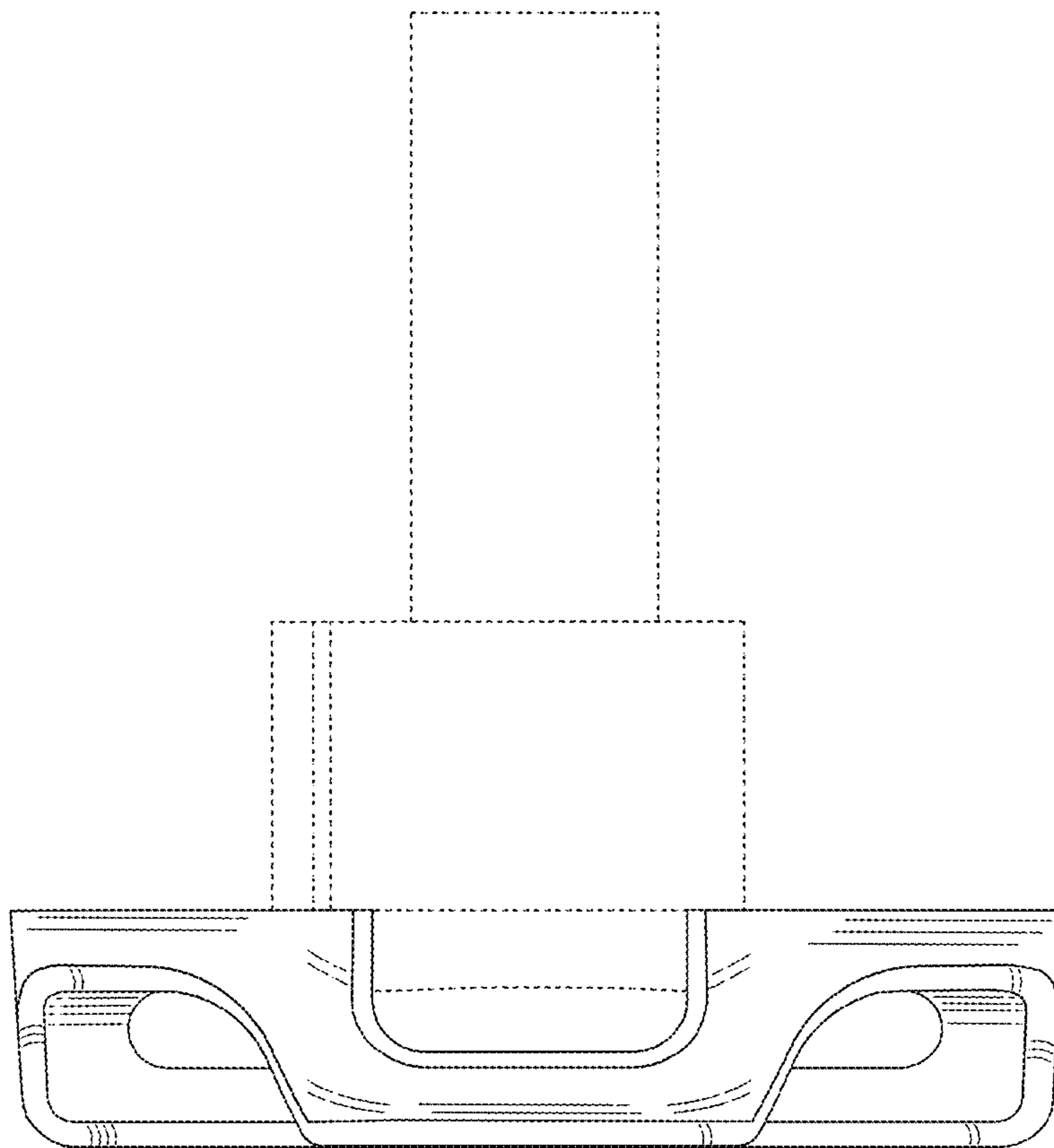


FIG. 7



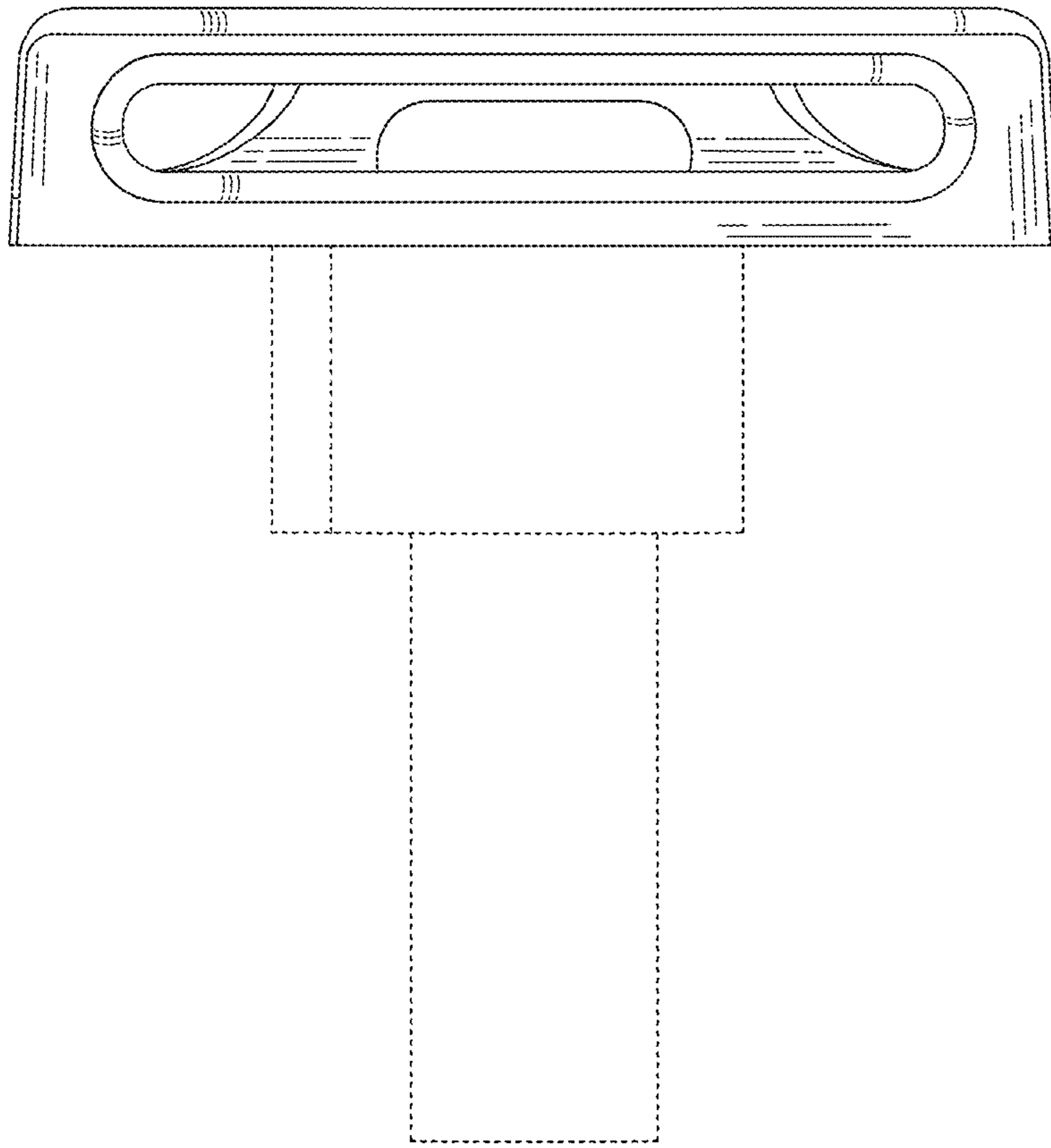


FIG. 8

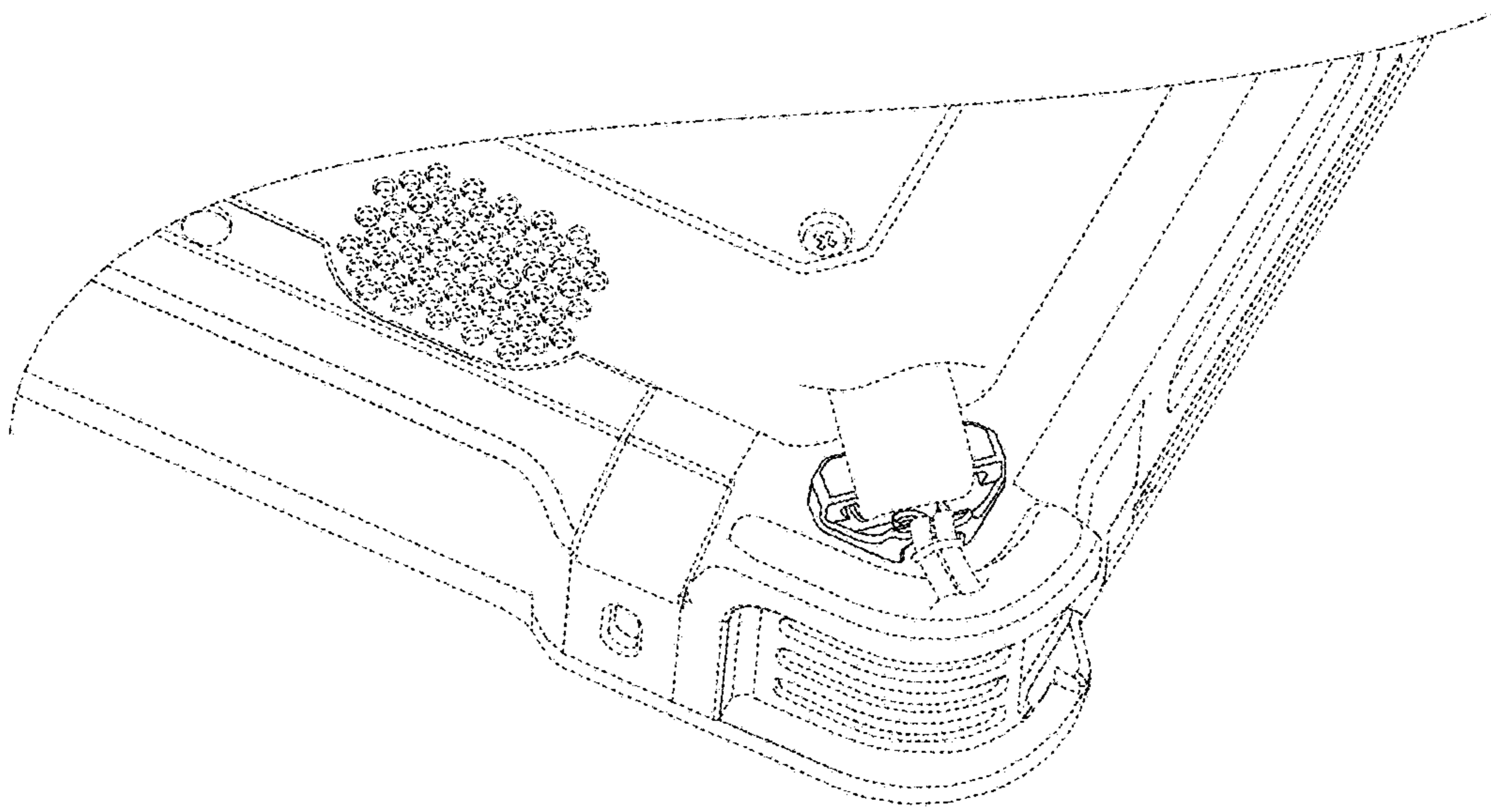


FIG. 9