



US00D830223S

(12) **United States Design Patent** (10) **Patent No.:** **US D830,223 S**  
**Shah** (45) **Date of Patent:** **\*\* Oct. 9, 2018**

(54) **PRECIOUS STONE**  
(71) Applicant: **KGS Jewels Inc**, New York, NY (US)  
(72) Inventor: **Pranav Shah**, New York, NY (US)  
(73) Assignee: **KGS JEWELS INC.**, New York, NY (US)

D383,411 S \* 9/1997 Spitzer ..... D11/90  
D389,087 S \* 1/1998 Kattan ..... D11/90  
D440,181 S \* 4/2001 Wolf ..... D11/90  
D448,698 S \* 10/2001 Caspi ..... D11/1  
D513,478 S \* 1/2006 Devash ..... D11/90  
D640,951 S \* 7/2011 Parikh ..... D11/90  
D678,112 S \* 3/2013 Jhaveri ..... D11/90  
D730,234 S \* 5/2015 Miao ..... D11/89  
D791,010 S \* 7/2017 Shah ..... D11/90

(\*\*) Term: **15 Years**

\* cited by examiner

(21) Appl. No.: **29/598,711**

*Primary Examiner* — Ralf T Seifert

(22) Filed: **Mar. 28, 2017**

(74) *Attorney, Agent, or Firm* — Ostrolenk Faber LLP

(51) **LOC (11) Cl.** ..... **11-01**

(57) **CLAIM**

(52) **U.S. Cl.**  
USPC ..... **D11/89**

The ornamental design for precious stone, as shown and described.

(58) **Field of Classification Search**  
USPC ..... D11/1–2, 26–29, 89–92; 63/26–28, 32  
CPC ..... A44C 17/00; A44C 17/01; A44C 17/005;  
A44C 17/007; A44C 17/008  
See application file for complete search history.

**DESCRIPTION**

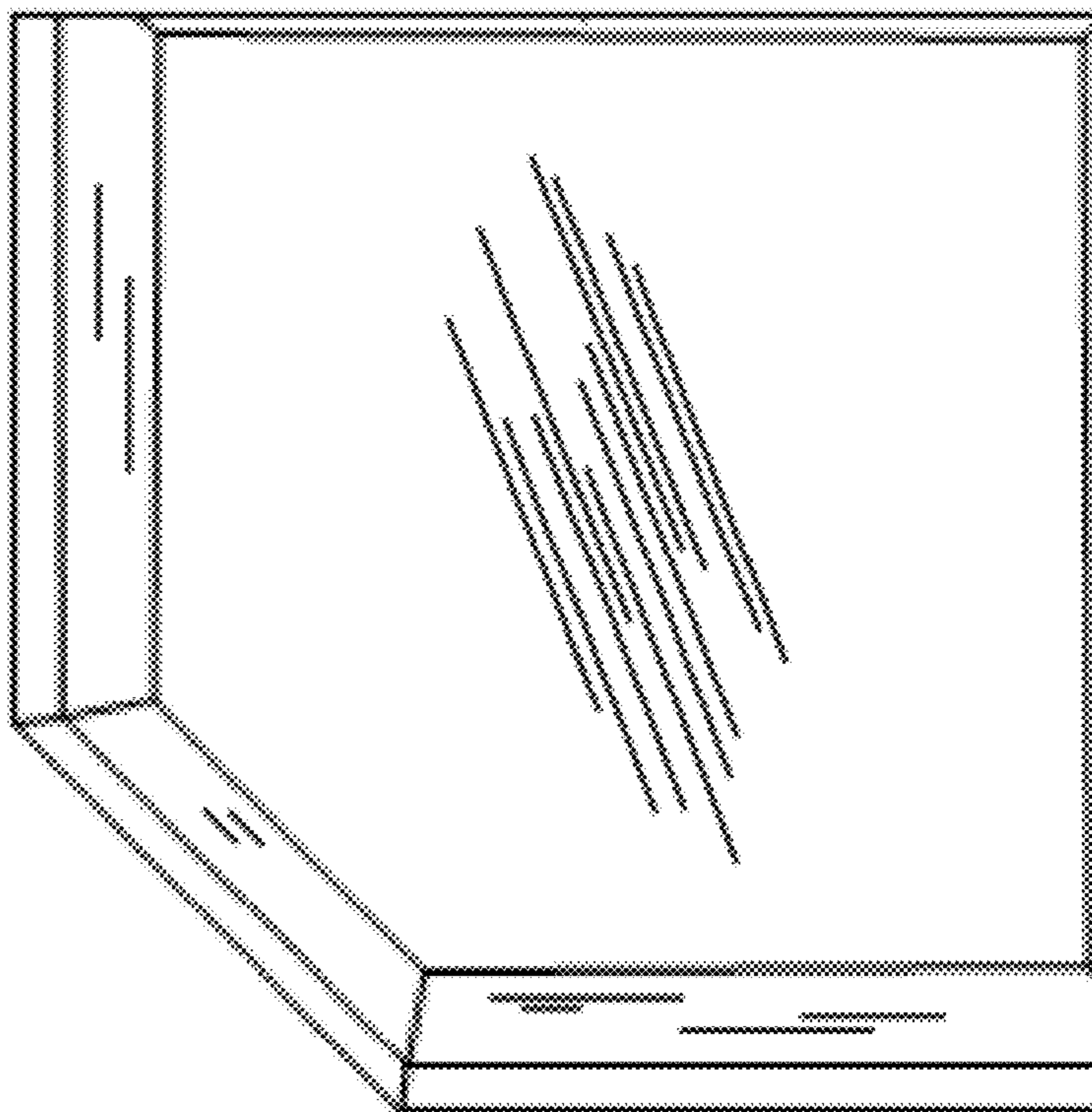
FIG. 1 is a top view of a precious stone showing my new design;  
FIG. 2 is a bottom view of FIG. 1;  
FIG. 3 is a front view of FIG. 1;  
FIG. 4 is a left side view of FIG. 1;  
FIG. 5 is a rear view of FIG. 1; and,  
FIG. 6 is a right side view of FIG. 1.

(56) **References Cited**

U.S. PATENT DOCUMENTS

D372,883 S \* 8/1996 Adler ..... D11/89  
D373,971 S \* 9/1996 Katz ..... D11/90

**1 Claim, 1 Drawing Sheet**



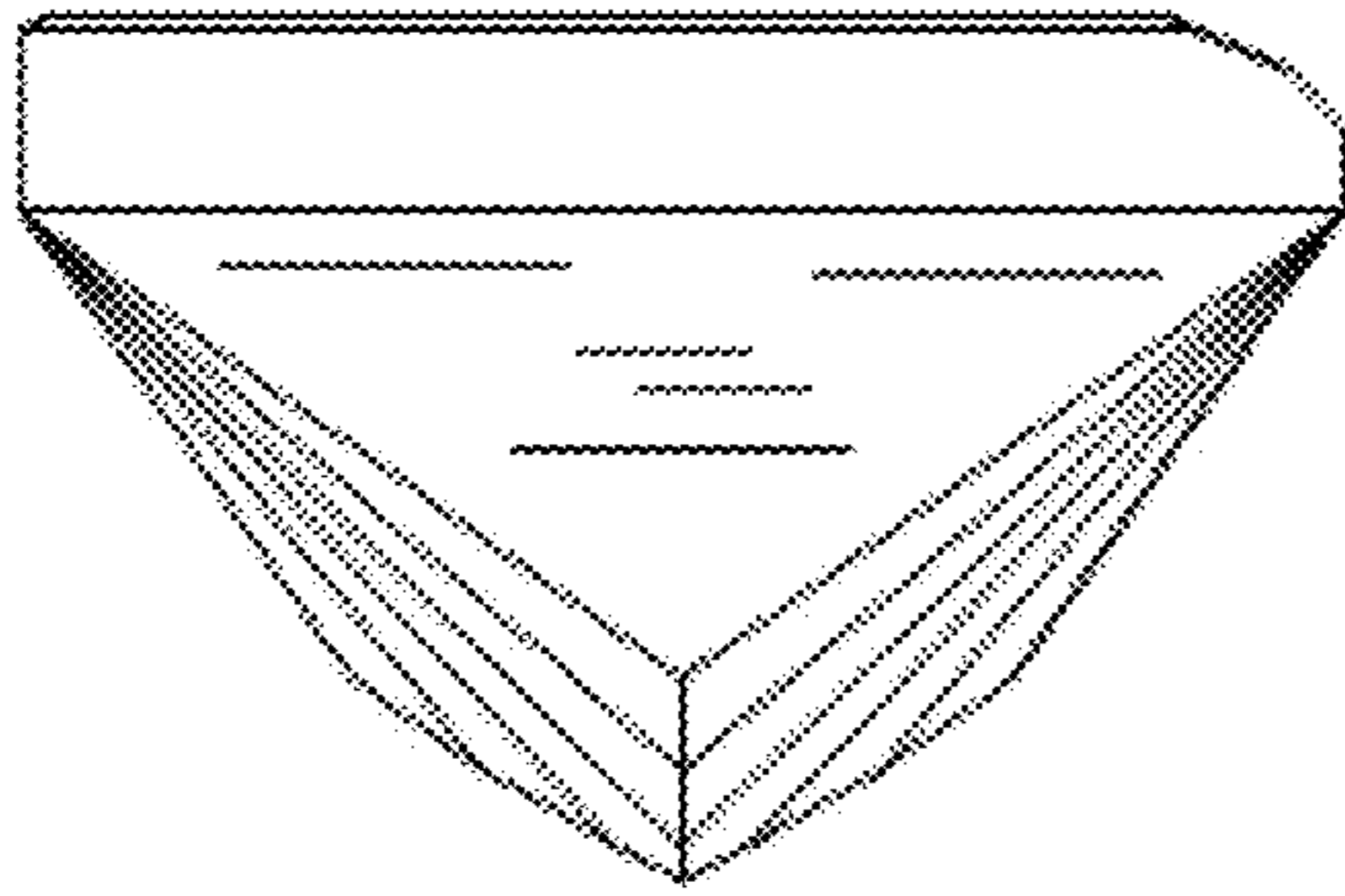


Fig. 5

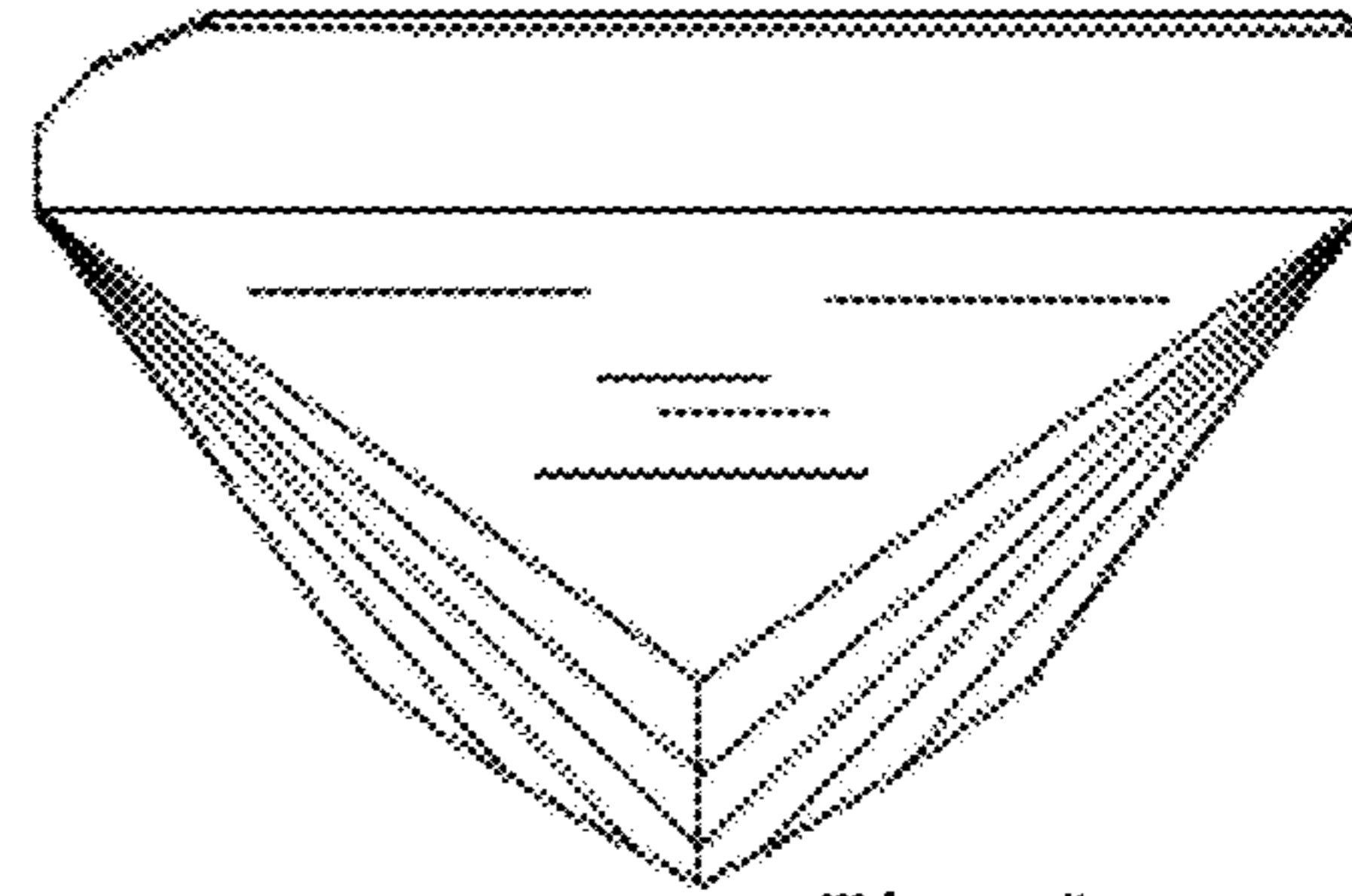


Fig. 6

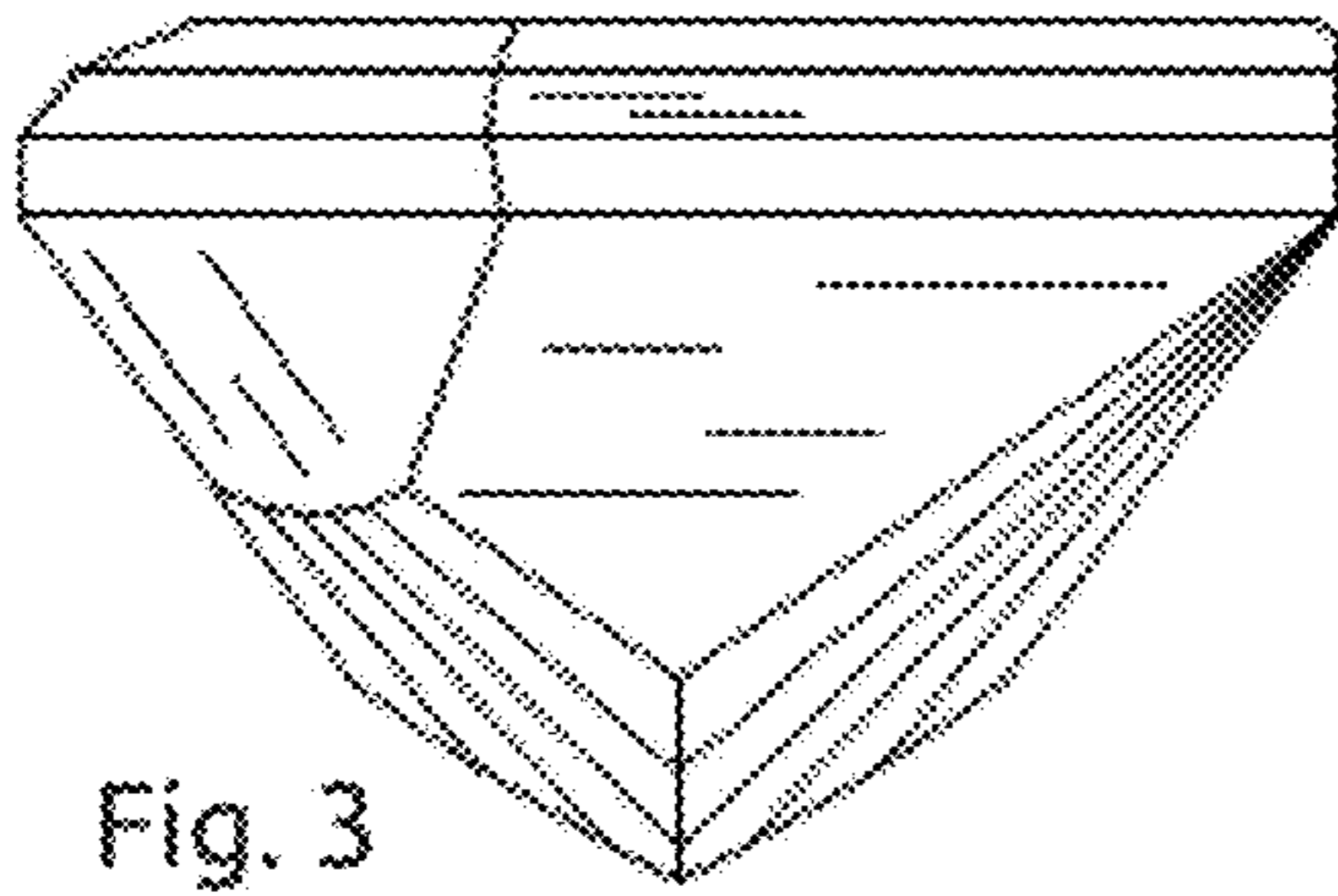


Fig. 3

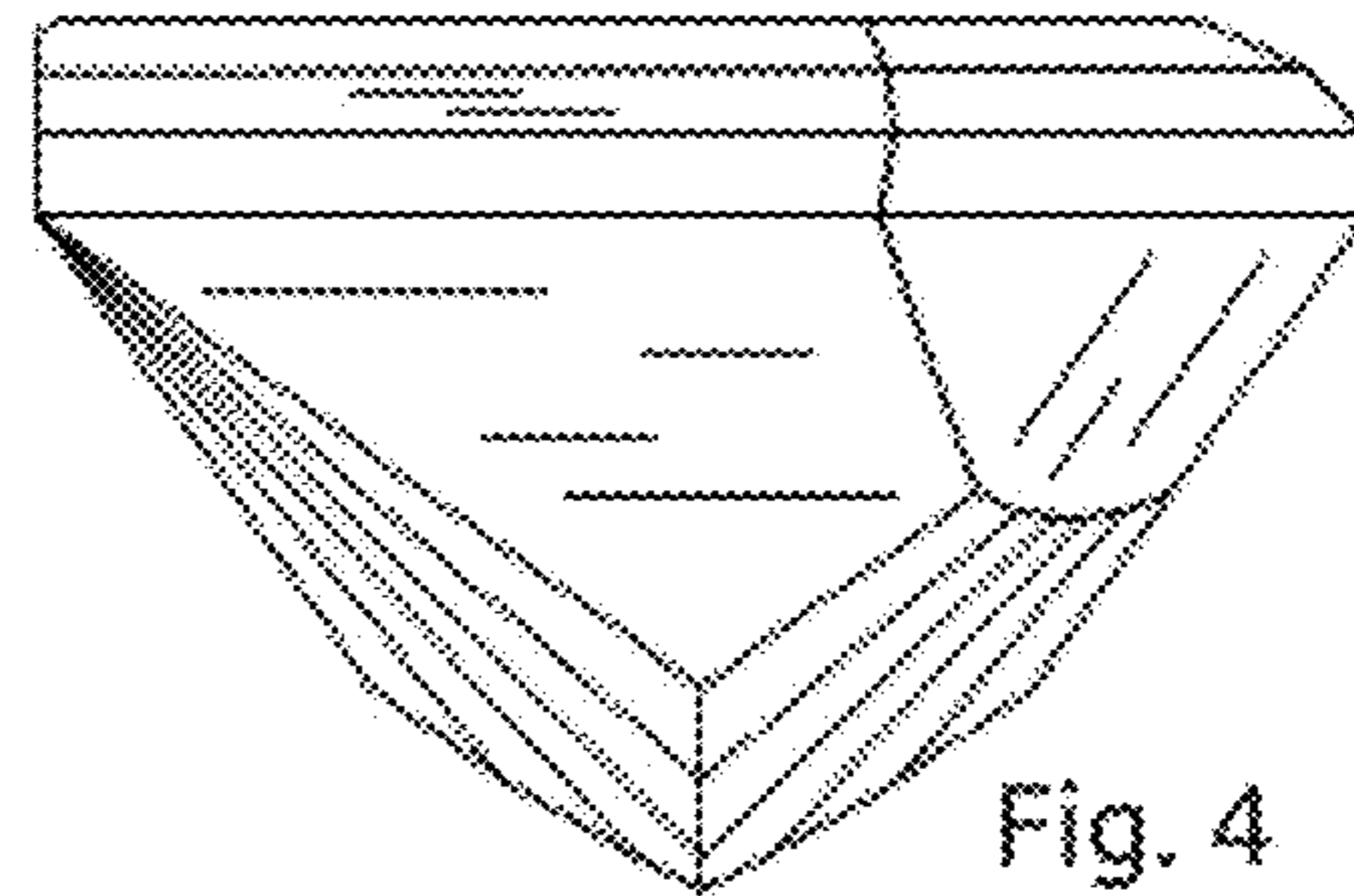


Fig. 4

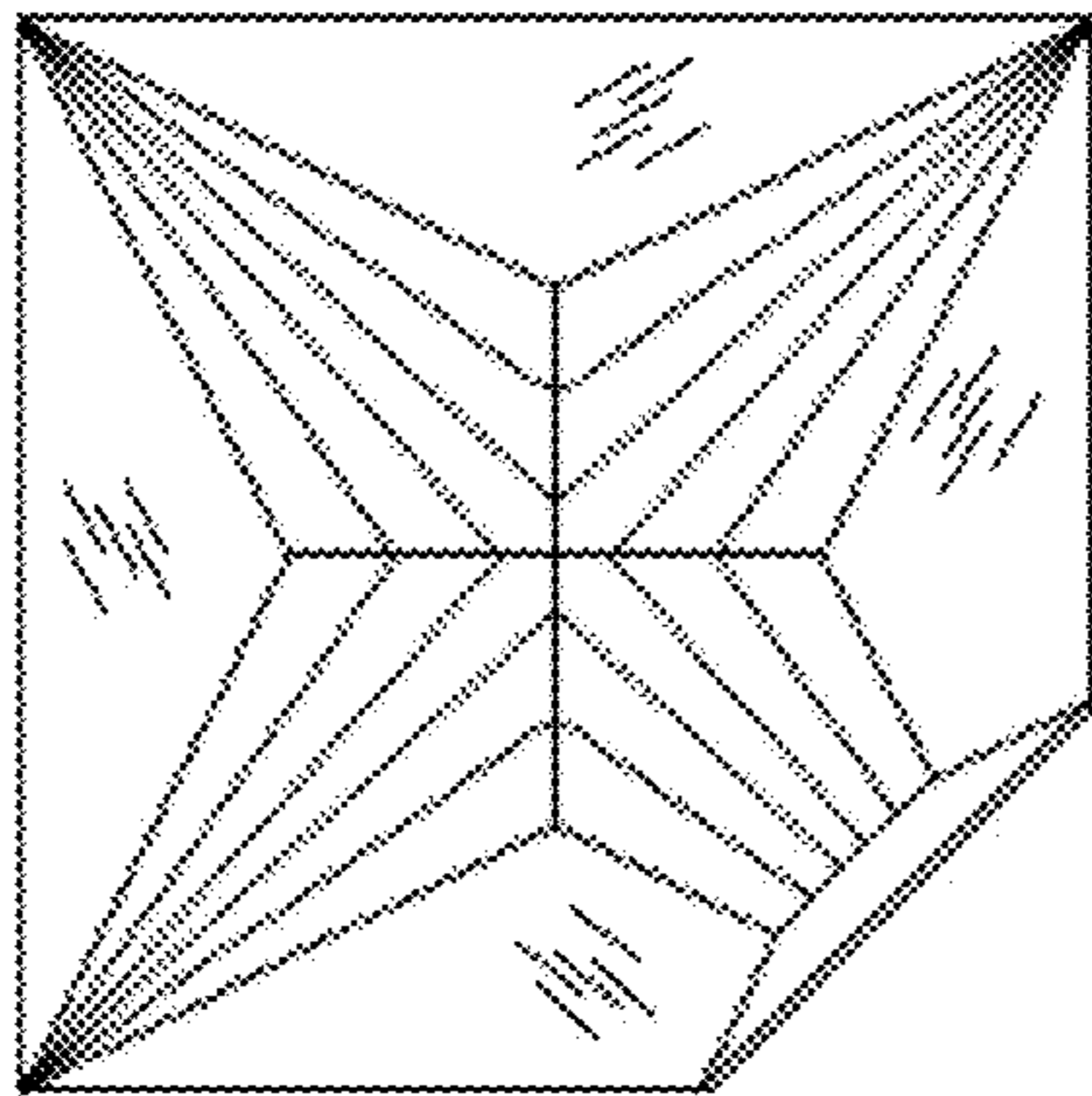


Fig. 2

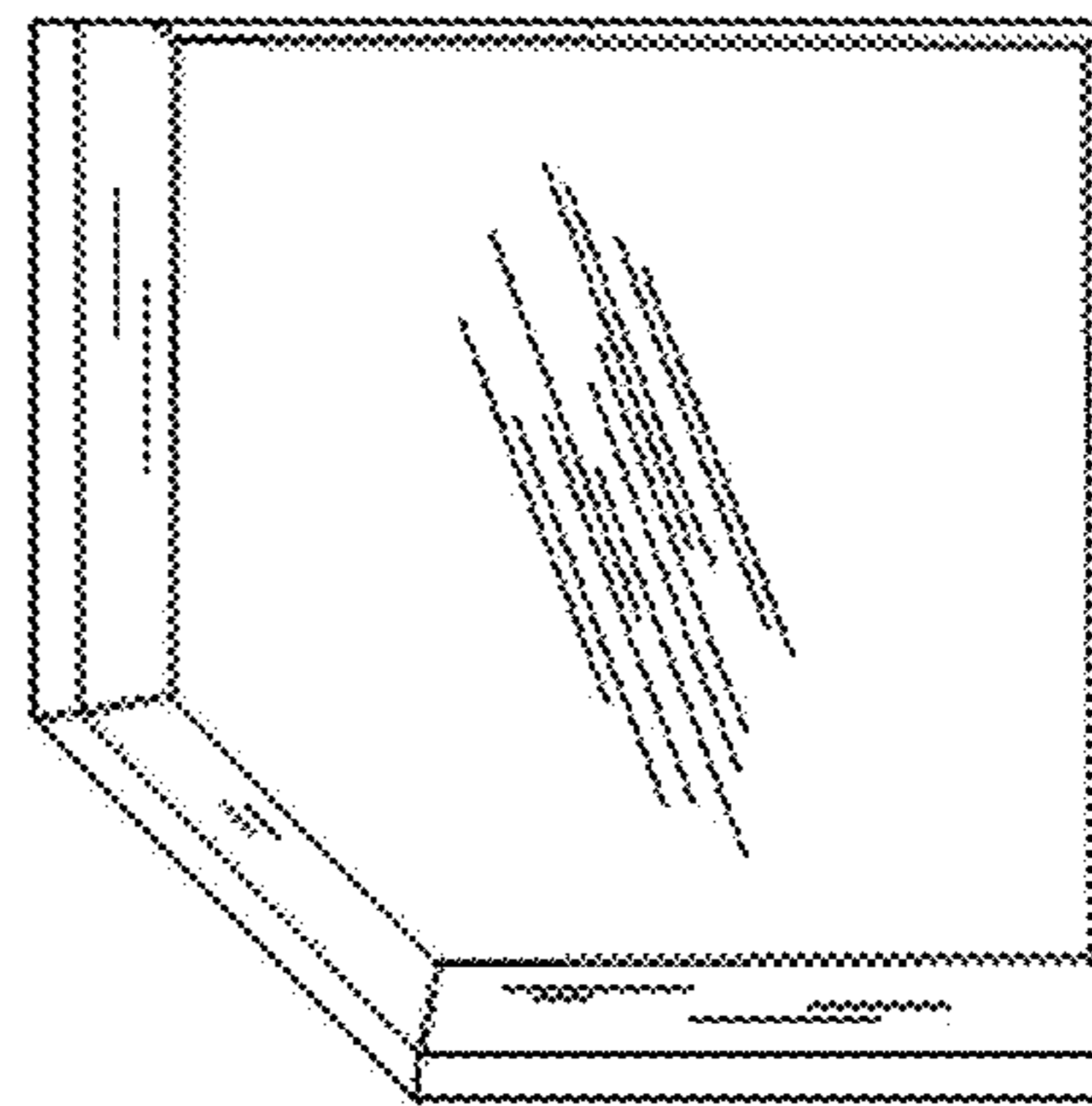


Fig. 1