



US00D830222S

(12) **United States Design Patent** (10) **Patent No.:** **US D830,222 S**
Silvestri (45) **Date of Patent:** **** Oct. 9, 2018**

(54) **PENDANT**
(71) Applicant: **Bulgari S.p.A.**, Rome (IT)
(72) Inventor: **Lucia Silvestri**, Rome (IT)
(73) Assignee: **Bulgari, S.p.A.**, Rome (IT)
(**) Term: **15 Years**
(21) Appl. No.: **29/543,293**

D149,582 S * 5/1948 Philippe D11/48
D156,135 S * 11/1949 Majeska D11/81
D176,694 S * 1/1956 Katz D11/43
D184,959 S * 4/1959 Rachmuth D11/81
D211,052 S * 5/1968 Genung D11/84
D302,400 S * 7/1989 Bulgari D11/40
D310,979 S * 10/1990 Perry D11/43
D320,951 S * 10/1991 Bulgari D11/40
D764,342 S * 8/2016 Bulgari D11/42
D764,343 S * 8/2016 Bulgari D11/43
D804,979 S * 12/2017 Silvestri D11/7
D804,980 S * 12/2017 Silvestri D11/7

(22) Filed: **Oct. 22, 2015**

OTHER PUBLICATIONS

(30) **Foreign Application Priority Data**

[Online] <https://www.bulgari.com/media/catalog/product/cache/image/440x622/16b36ab686a22cb8d3fd7e9bcb217125/D/I/DIVASDREAM-Necklace-BVLGARI-350062-E-1.png>. Retrieved Dec. 28, 2017.*

Apr. 23, 2015 (WO) DM086277

(51) **LOC (11) Cl.** **11-01**

(52) **U.S. Cl.**
USPC **D11/79**

* cited by examiner

(58) **Field of Classification Search**

Primary Examiner — Melanie Sue Pellegrini
(74) *Attorney, Agent, or Firm* — Stephen Kenny; Peter Sullivan; Foley Hoag LLP

USPC D11/1–39, 79–87, 93, 91, 92
CPC A44C 5/00; A44C 5/0007; A44C 5/0015;
A44C 5/003; A44C 5/0053; A44C 9/00;
A44C 9/0007; A44C 9/0014; A44C
9/0023; A44C 9/003; A44C 9/0038; A44C
9/0046; A44C 9/0053; A44C 9/0061;
A44C 9/0069; A44C 9/0076; A44C
17/0258; A44C 17/0266; A44C 17/0275;
A44C 17/0283; A44C 17/02; A44C
17/0208; A44C 25/00; A44C 25/001;
A44C 25/002; A44C 25/004; A44C
25/005; A44C 25/007; A44C 25/008;
A44C 1/00; A44C 3/00; A44C 3/001;
A44C 3/002; A44C 3/004

See application file for complete search history.

(57) **CLAIM**

The ornamental design for a pendant, as shown and described.

DESCRIPTION

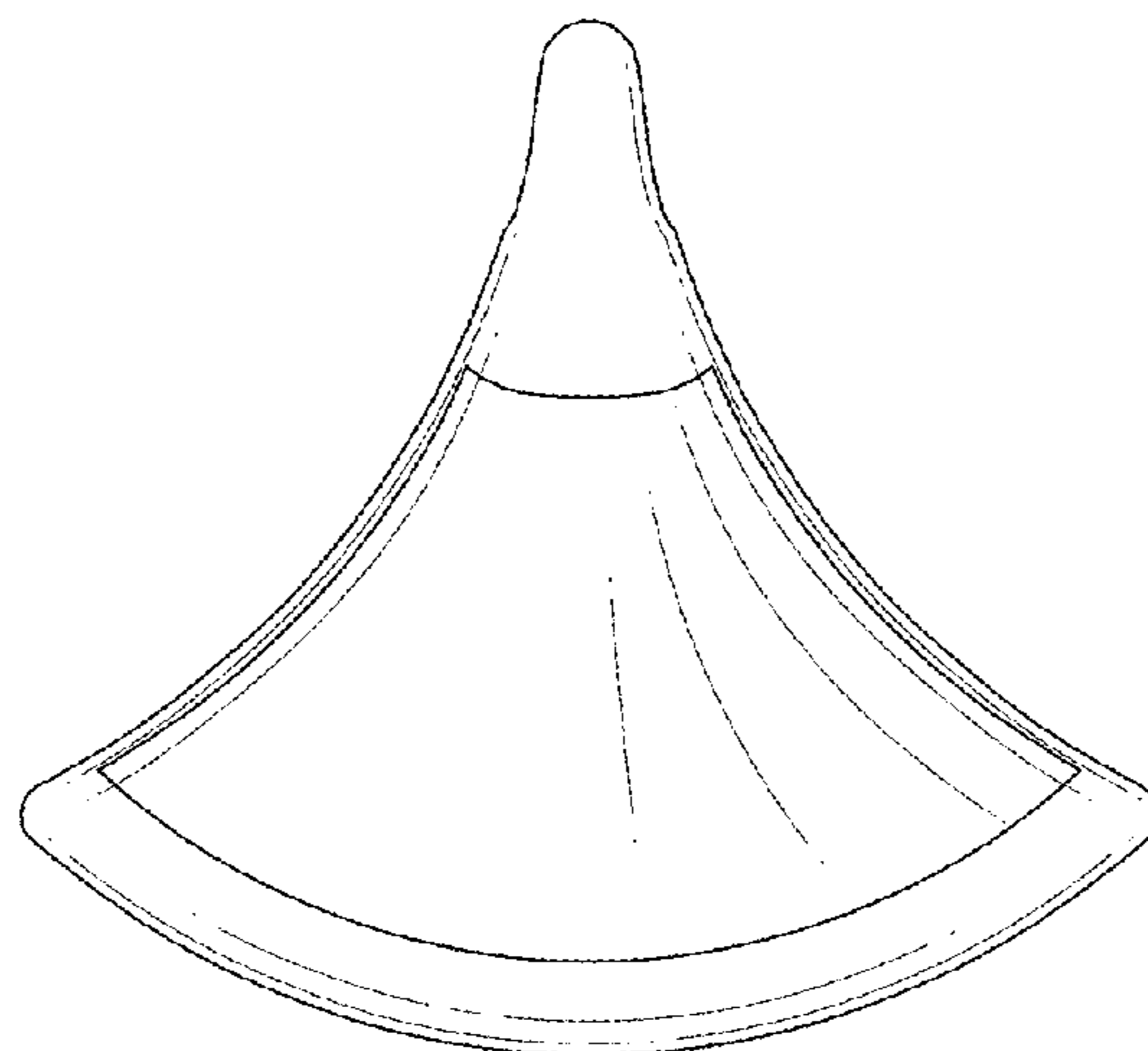
FIG. 1 is a front view of a pendant;
FIG. 2 is a back view thereof;
FIG. 3 is a bottom perspective view thereof;
FIG. 4 is a bottom view thereof;
FIG. 5 is a top view thereof;
FIG. 6 is a left side view thereof; and,
FIG. 7 is a right side view thereof.
The broken lines represent portions of the pendant which form no part of the claimed design.

(56) **References Cited**

U.S. PATENT DOCUMENTS

D33,848 S * 1/1901 Rawlings D11/2
D45,270 S * 2/1914 Osterberg D11/79

1 Claim, 7 Drawing Sheets



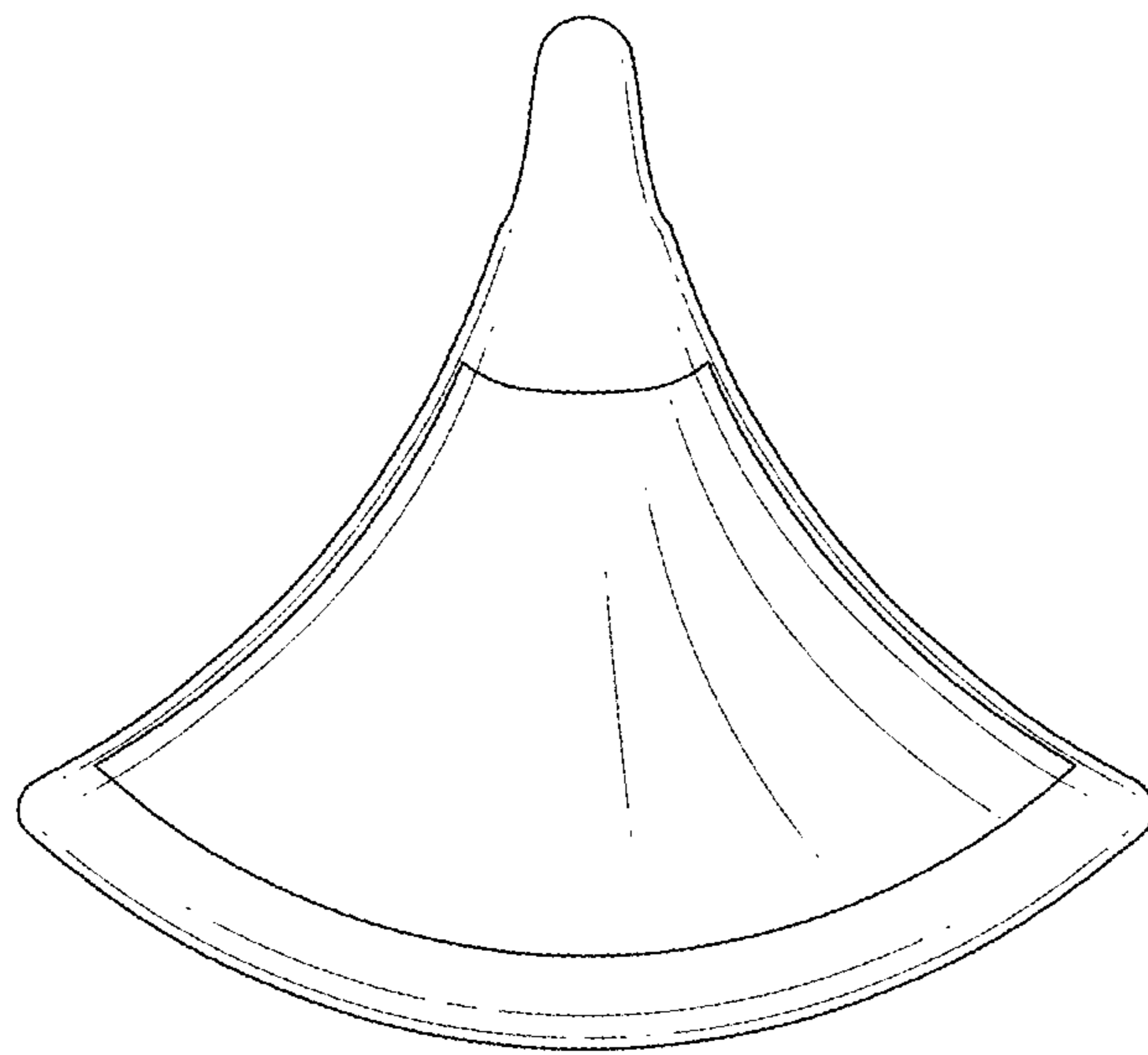


FIG. 1

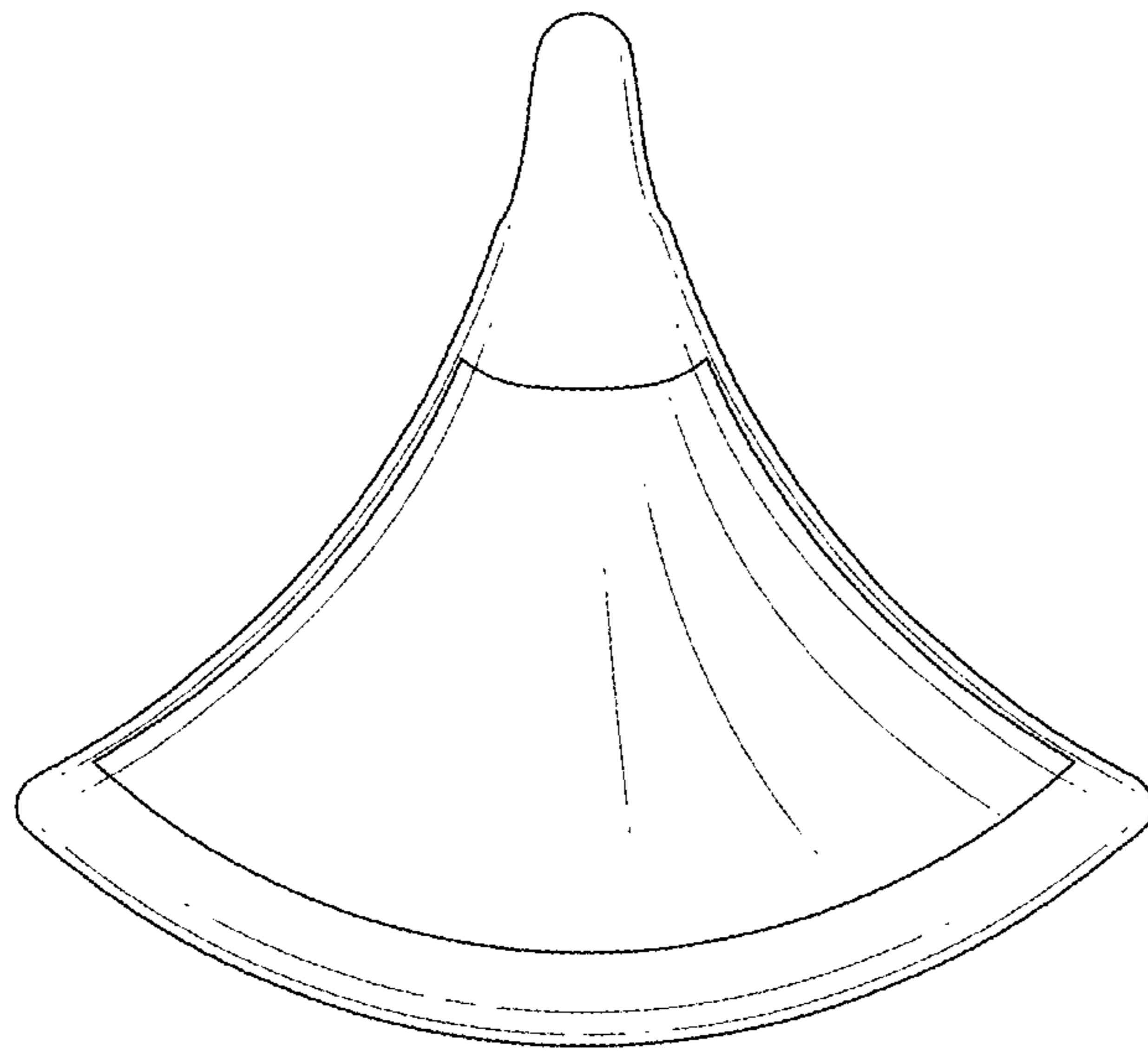


FIG.2

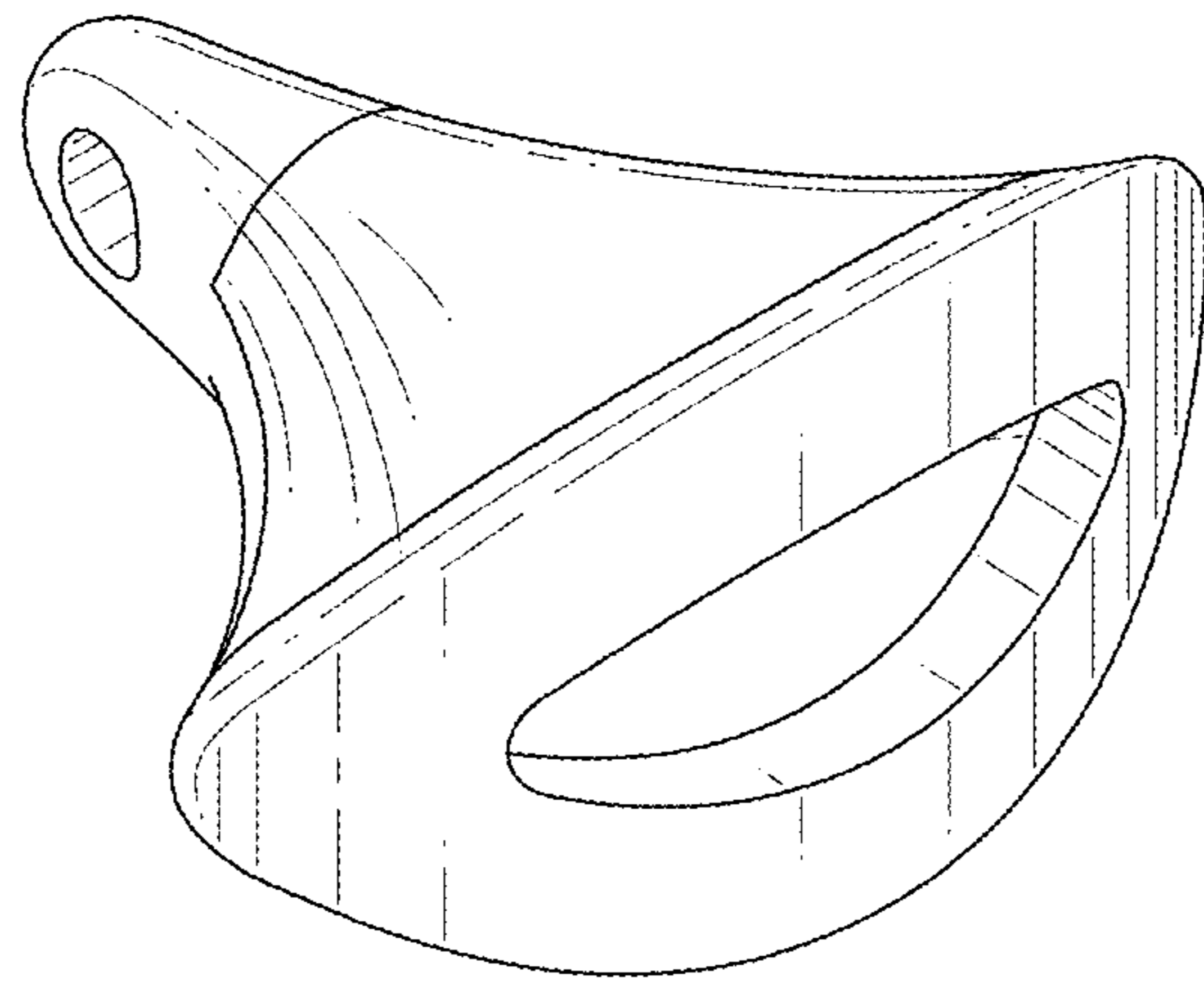


FIG. 3

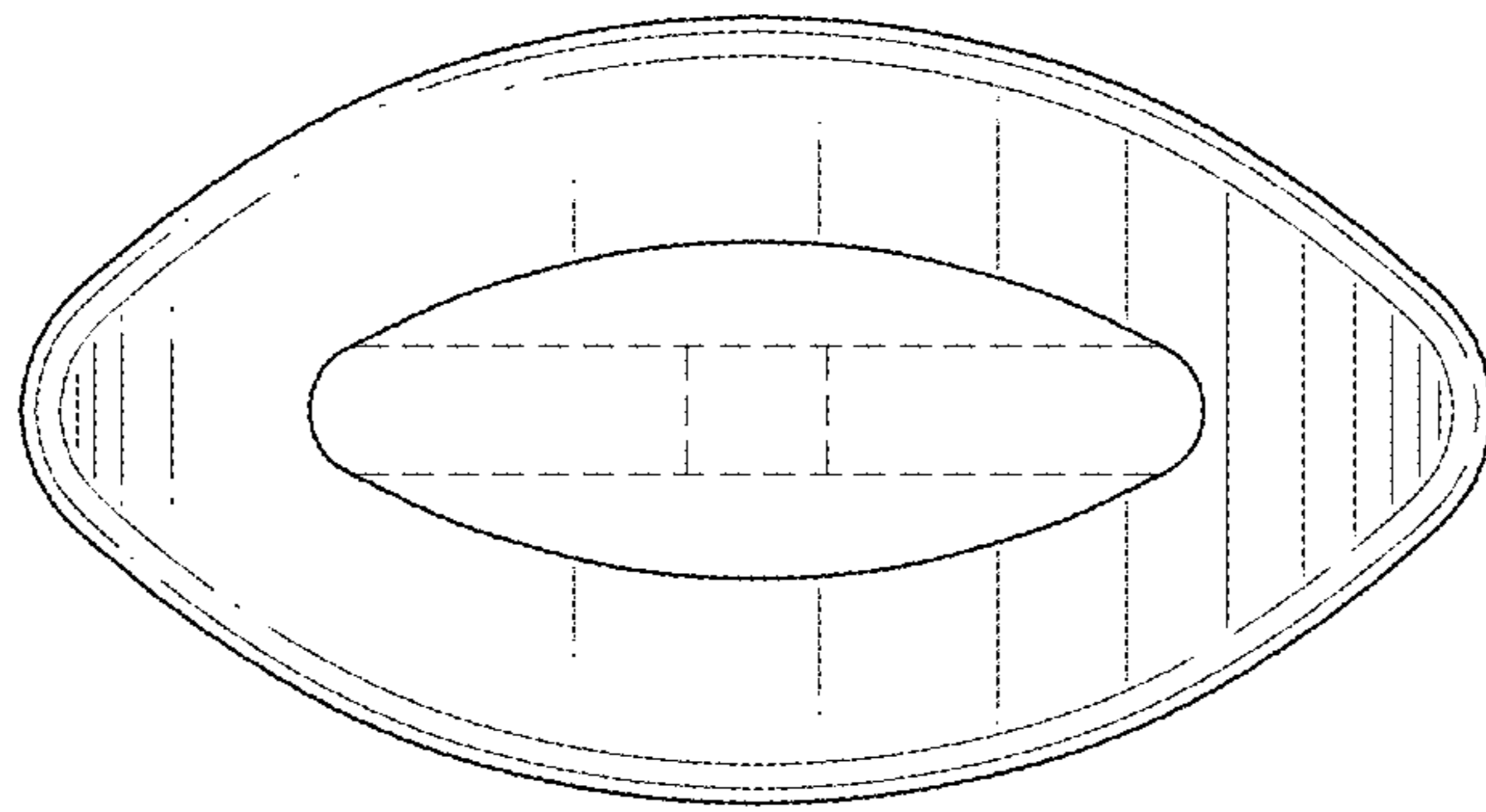


FIG. 4

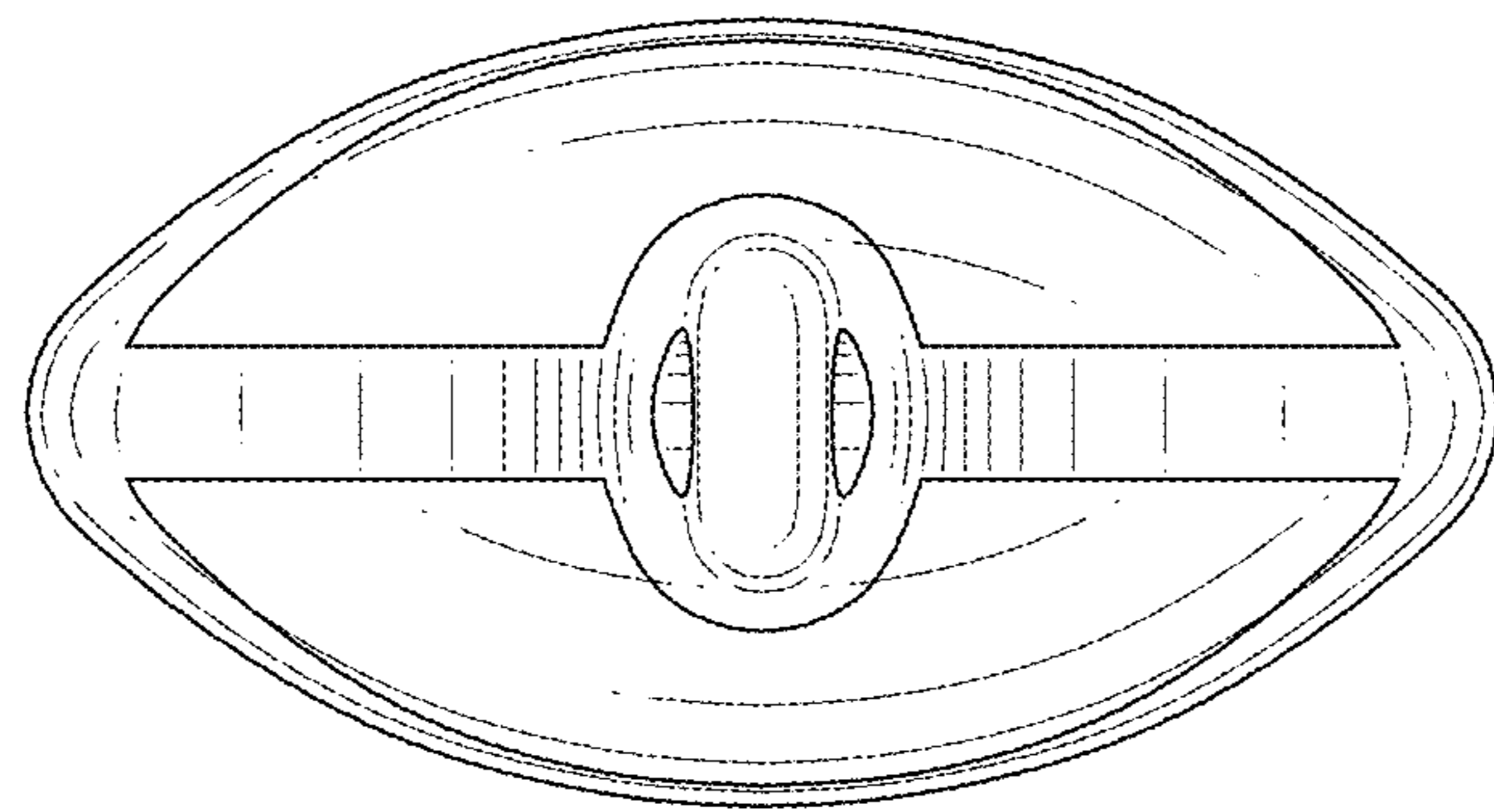


FIG. 5

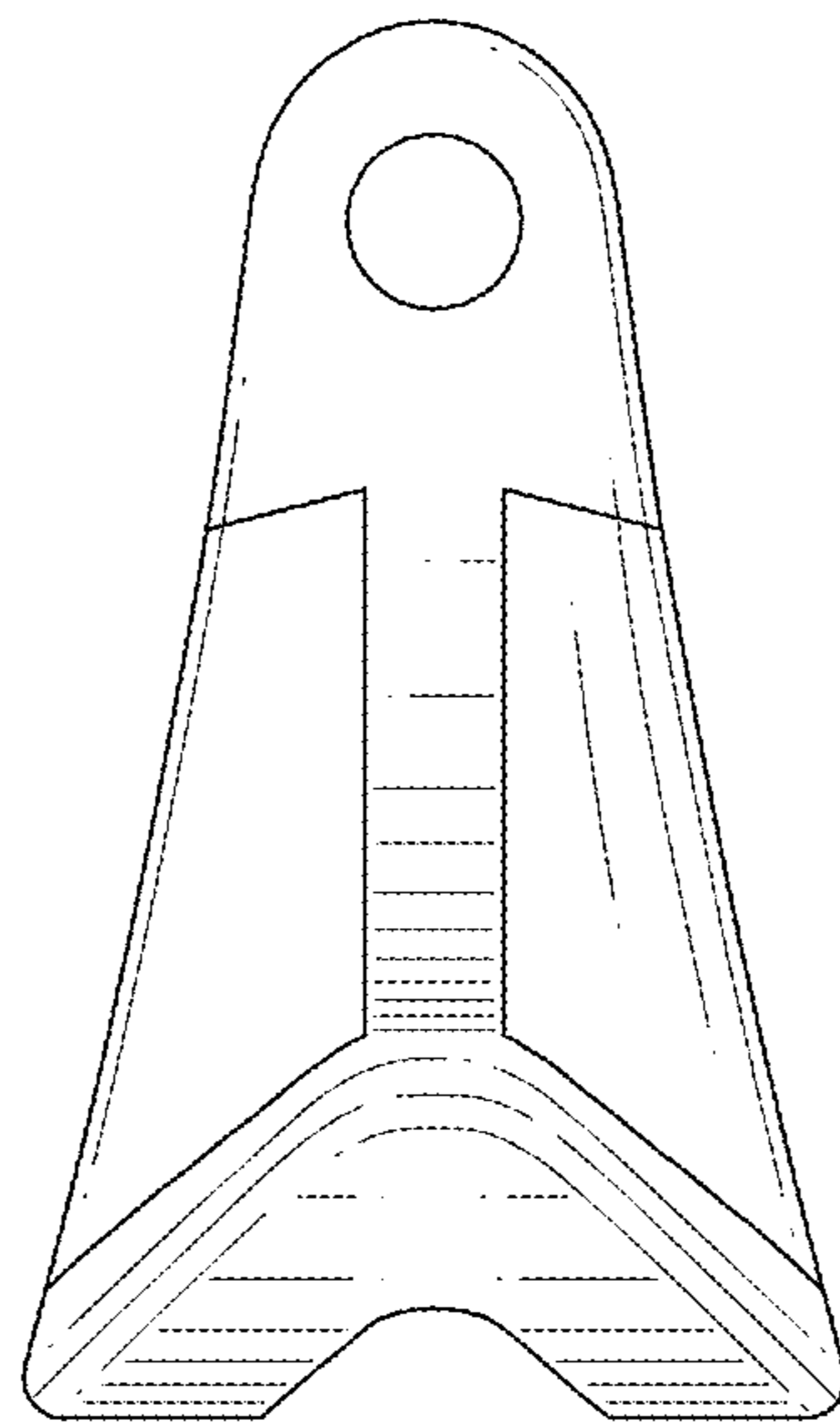


FIG. 6

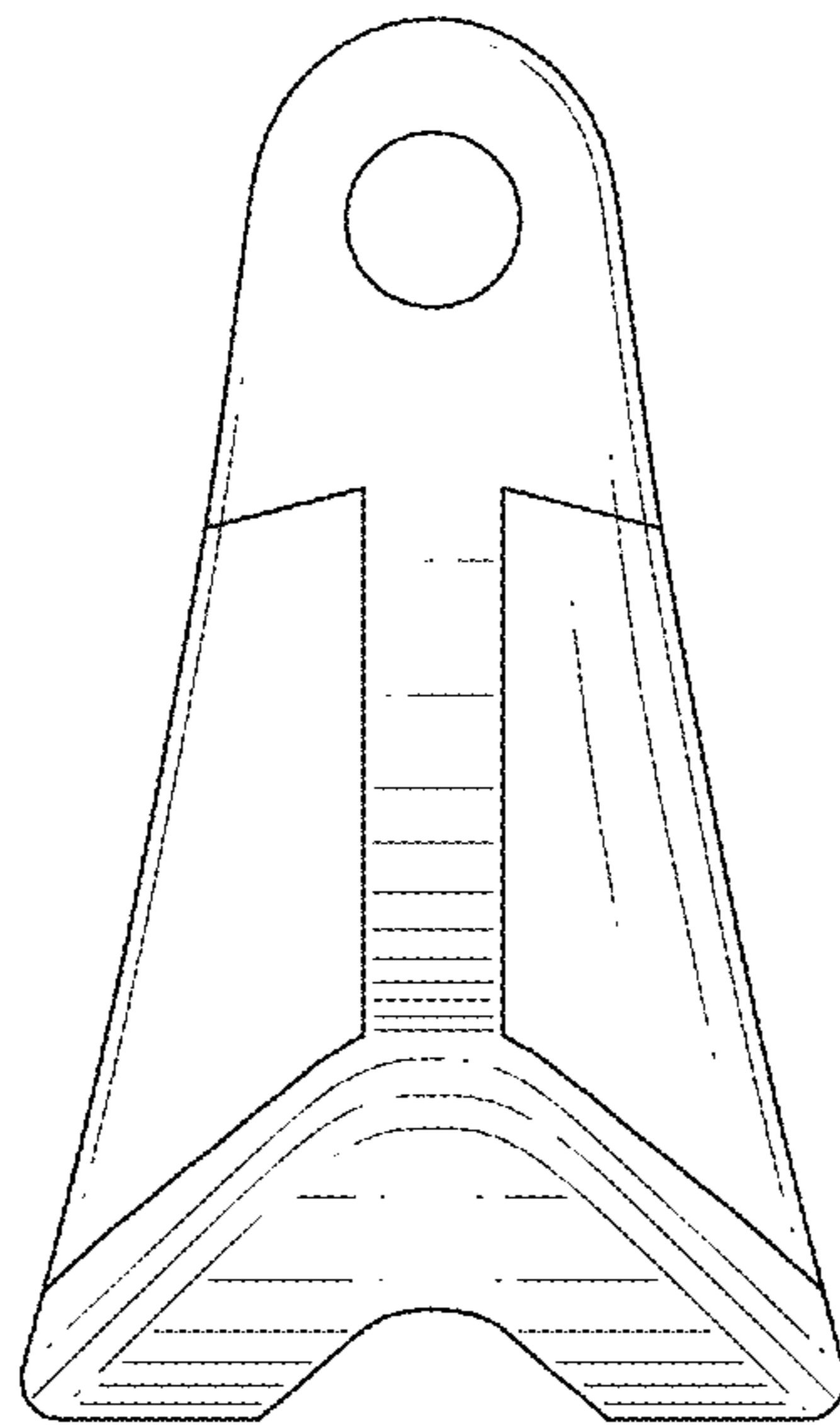


FIG. 7