



US00D830221S

(12) **United States Design Patent** (10) **Patent No.:** **US D830,221 S**
Silvestri (45) **Date of Patent:** **** Oct. 9, 2018**

(54) **PAIR OF EARRINGS**
(71) Applicant: **Bulgari S.p.A.**, Rome (IT)
(72) Inventor: **Lucia Silvestri**, Rome (IT)
(73) Assignee: **BULGARI S.P.A.**, Rome (IT)
(**) Term: **15 Years**
(21) Appl. No.: **29/618,259**
(22) Filed: **Sep. 20, 2017**

D184,959 S * 4/1959 Rachmuth D11/81
D211,052 S * 5/1968 Genung D11/84
D302,400 S * 7/1989 Bulgari D11/40
D305,996 S * 2/1990 Bulgari D11/42
D308,949 S * 7/1990 Bulgari D11/42
D310,979 S * 10/1990 Perry D11/43
D311,502 S * 10/1990 Bulgari D11/75
D320,951 S * 10/1991 Bulgari D11/40
D764,342 S * 8/2016 Bulgari D11/42
D764,343 S * 8/2016 Bulgari D11/43
D796,987 S * 9/2017 Gaidon D11/79
D804,979 S * 12/2017 Silvestri D11/7
D804,980 S * 12/2017 Silvestri D11/7

(30) **Foreign Application Priority Data**

Mar. 21, 2017 (WO) DM/095406

(51) **LOC (11) Cl.** **11-01**

(52) **U.S. Cl.**
USPC **D11/41**

(58) **Field of Classification Search**
USPC D11/1, 2, 7, 8, 40-86
CPC A44C 7/00; A44C 7/002; A44C 7/003;
A44C 7/004; A44C 7/005; A44C 7/006;
A44C 7/007; A44C 7/008; A44C 7/009;
A44C 17/02; A44C 17/0208; A44C
17/0216; A44C 17/0255; A44C 17/0233;
A44C 17/0241; A44C 17/025; A44C
17/0258; A44C 17/0266; A44C 25/00;
A44C 25/001; A44C 25/007; A44C 1/00;
A44C 3/001; A44C 3/002; A44C 3/004;
A44C 3/005; A44C 3/007
See application file for complete search history.

(56) **References Cited**

U.S. PATENT DOCUMENTS

D33,848 S * 1/1901 Rawlings D11/2
D45,270 S * 2/1914 Osterberg D11/79
D156,135 S * 11/1949 Majeska D11/81
D176,694 S * 1/1956 Katz D11/43

OTHER PUBLICATIONS

[Online] <https://www.bulgari.com/en-us/products/352600-e.html>.
Retrieved May 24, 2018.*

* cited by examiner

Primary Examiner — Melanie Pellegrini
(74) *Attorney, Agent, or Firm* — Stephen Kenny; Foley
Hoag LLP

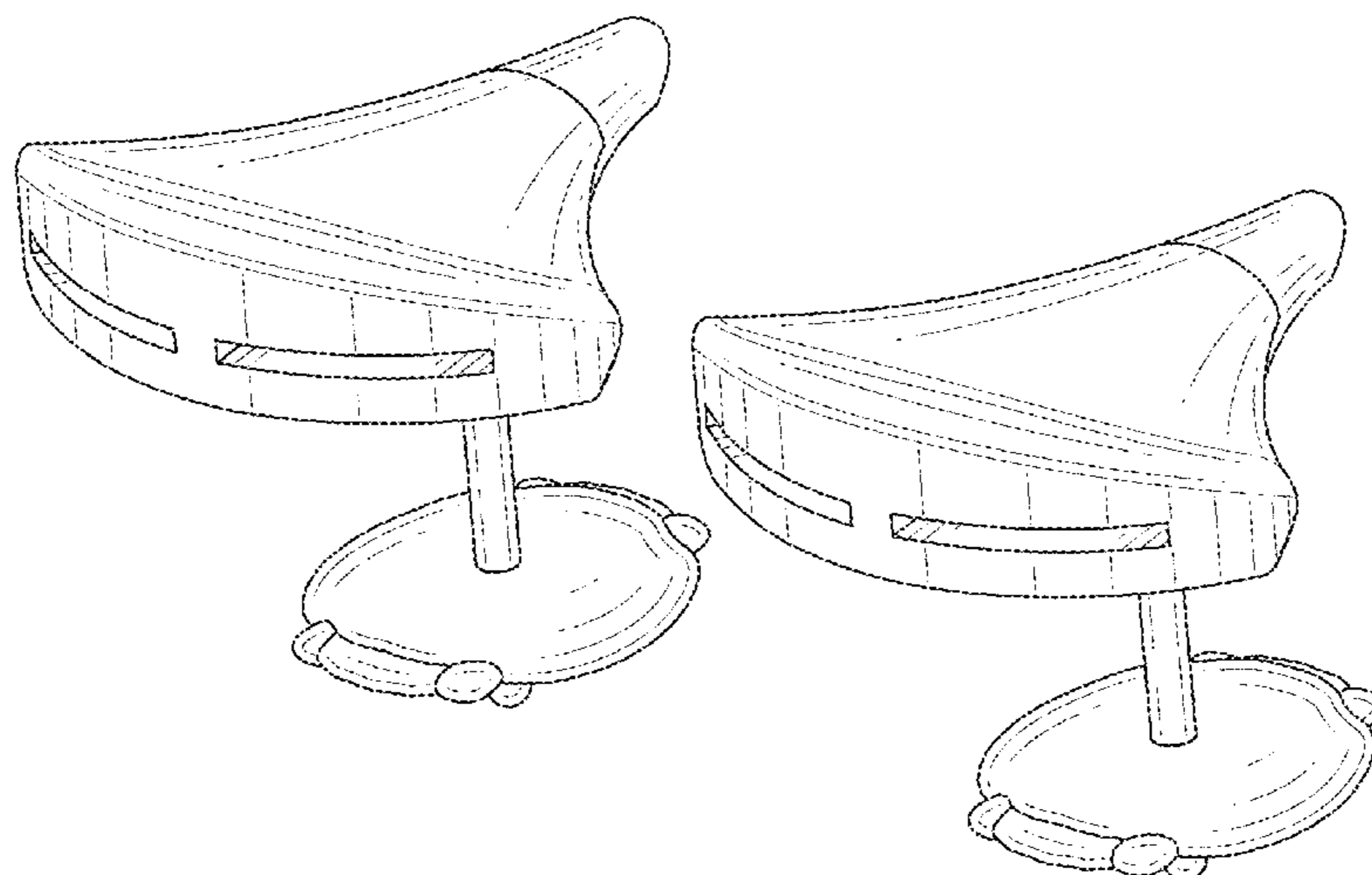
(57) **CLAIM**

The ornamental design for a pair of earrings, as shown and described.

DESCRIPTION

FIG. 1 is a perspective view of a pair of earrings showing my new design.
FIG. 2 is a front view thereof.
FIG. 3 is a back view thereof.
FIG. 4 is a left side view thereof.
FIG. 5 is a right side view thereof.
FIG. 6 is a top view thereof; and,
FIG. 7 is a bottom view thereof.
The broken lines shown in the drawings illustrate portions of the pair of earrings that form no part of the claimed design.

1 Claim, 7 Drawing Sheets



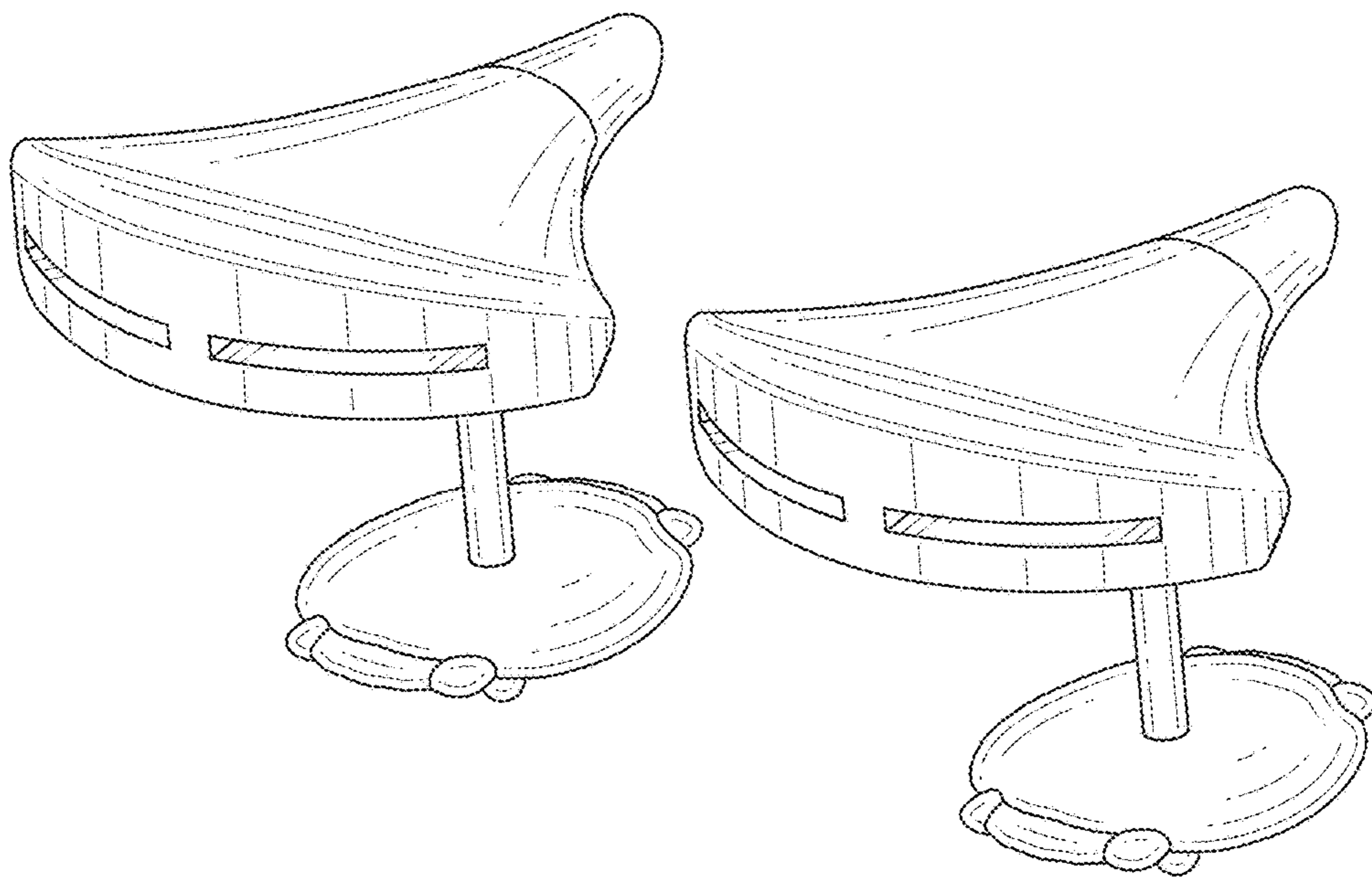


FIG. 1

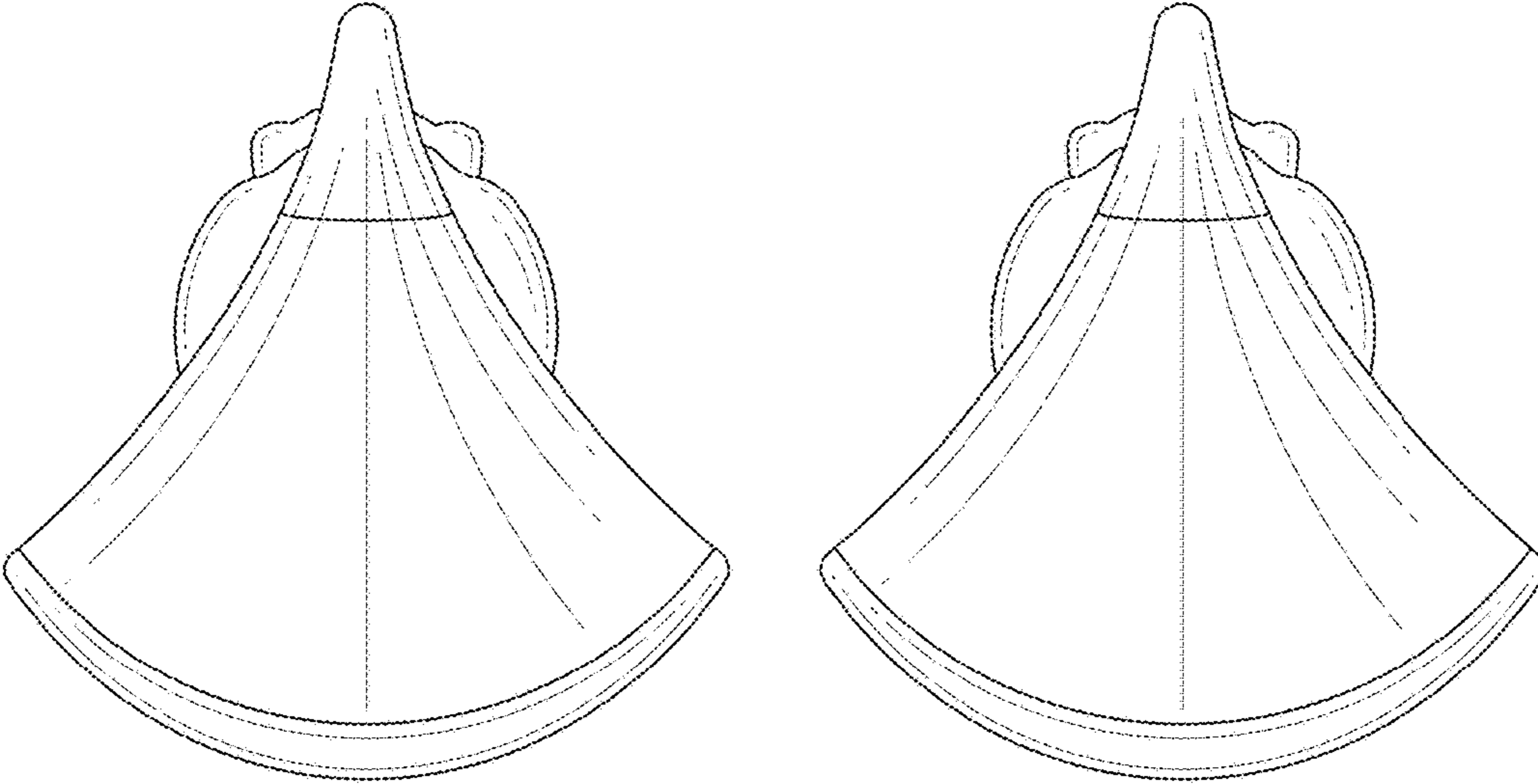


FIG.2

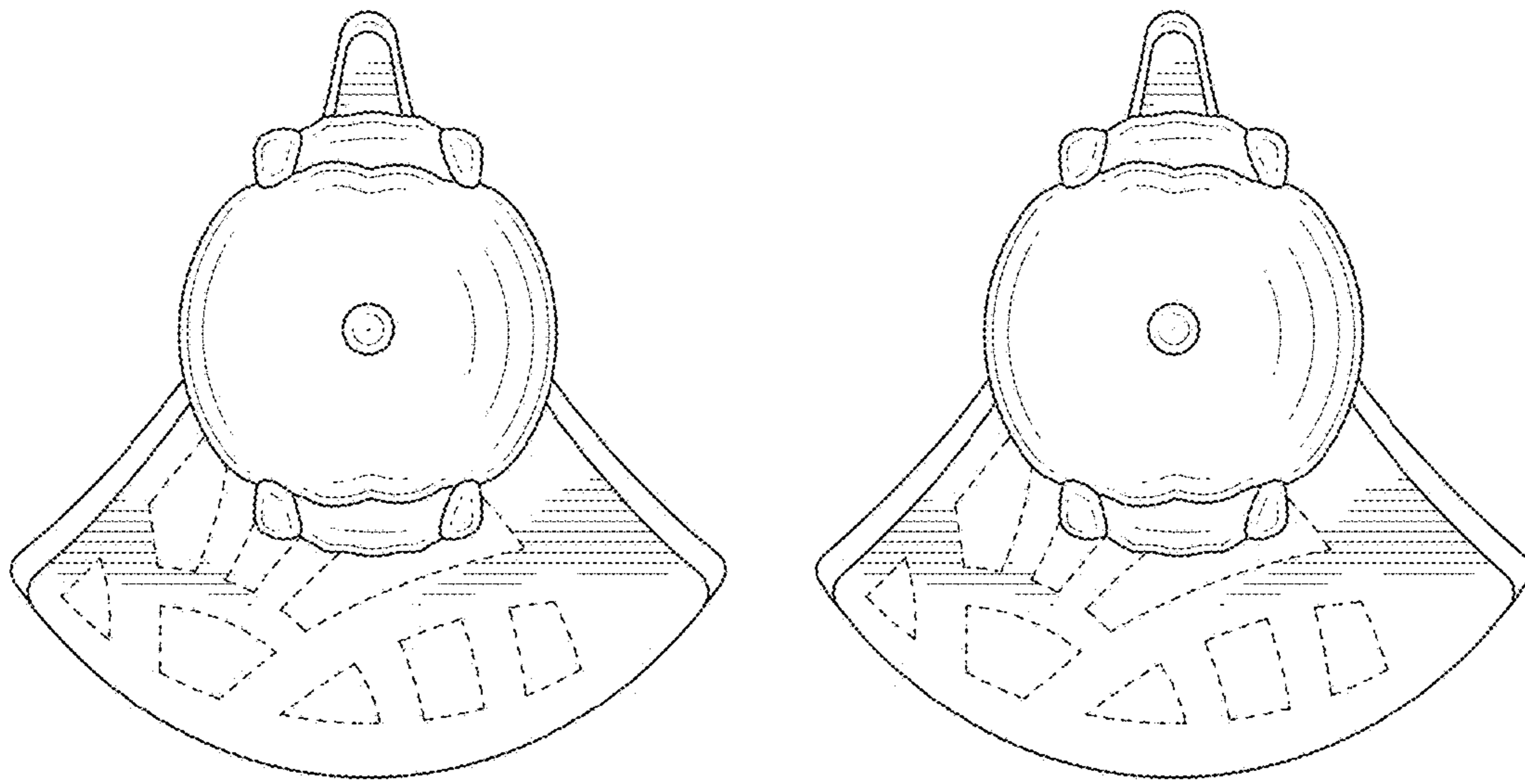


FIG. 3

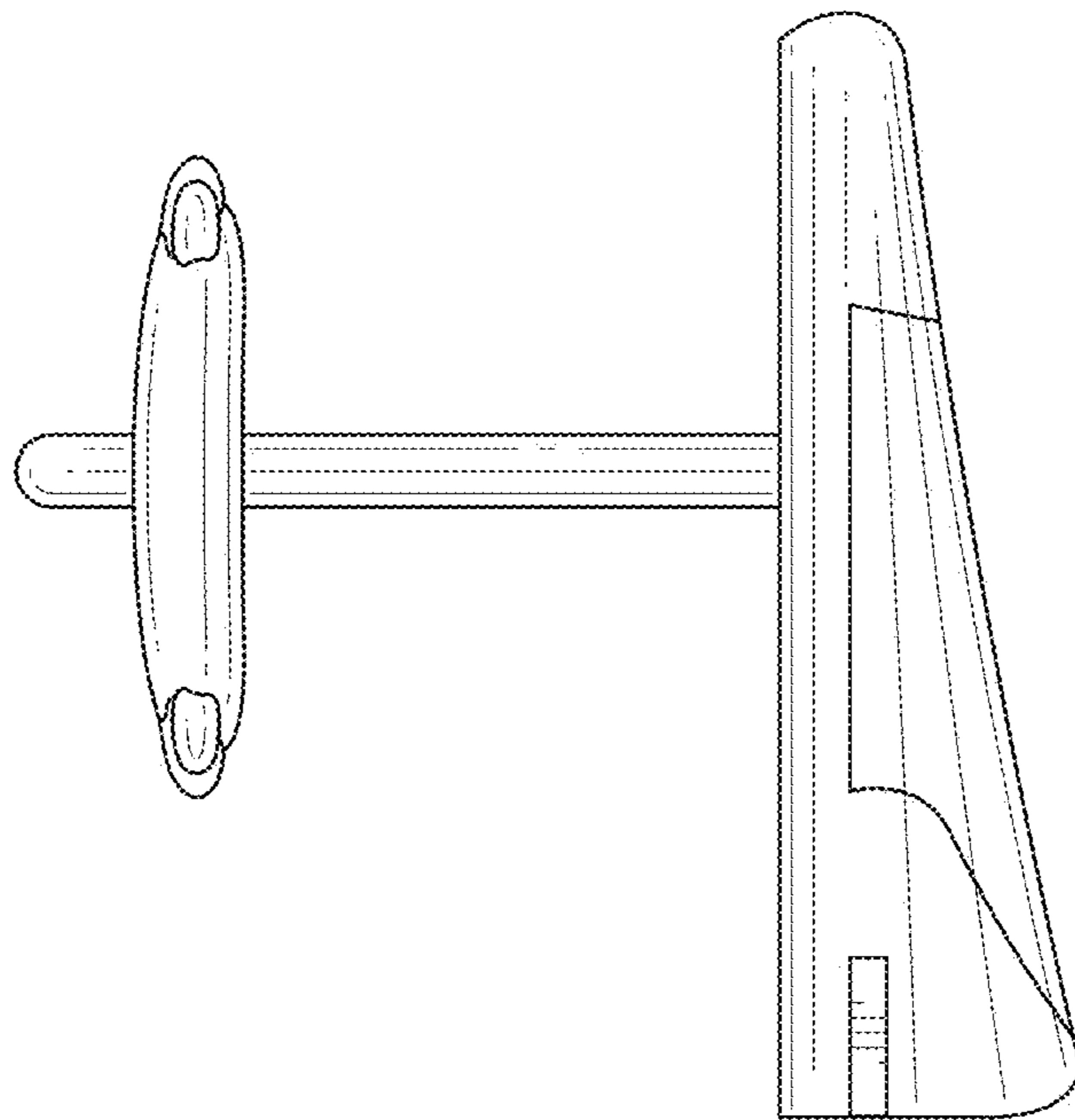


FIG. 4

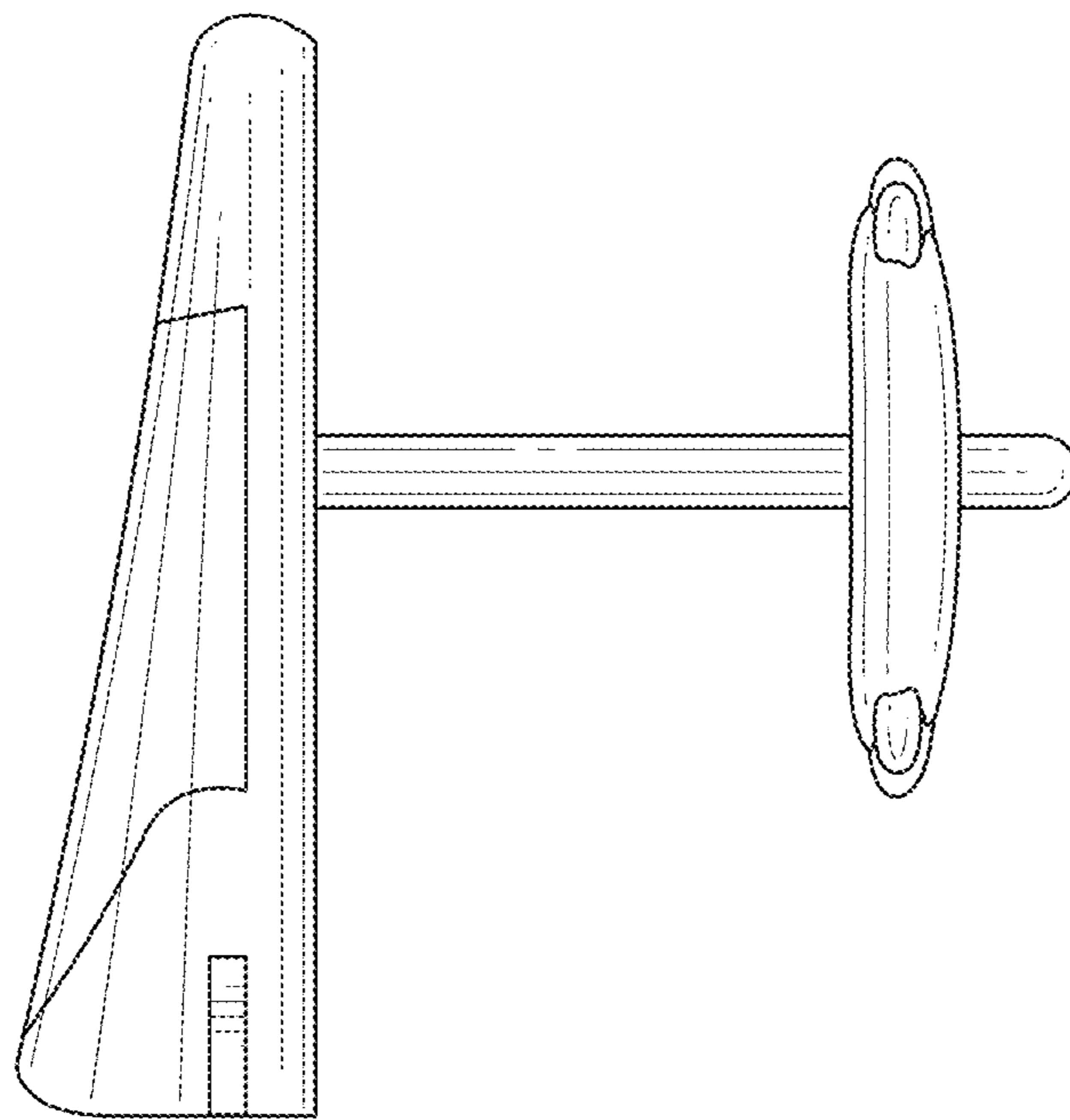


FIG. 5

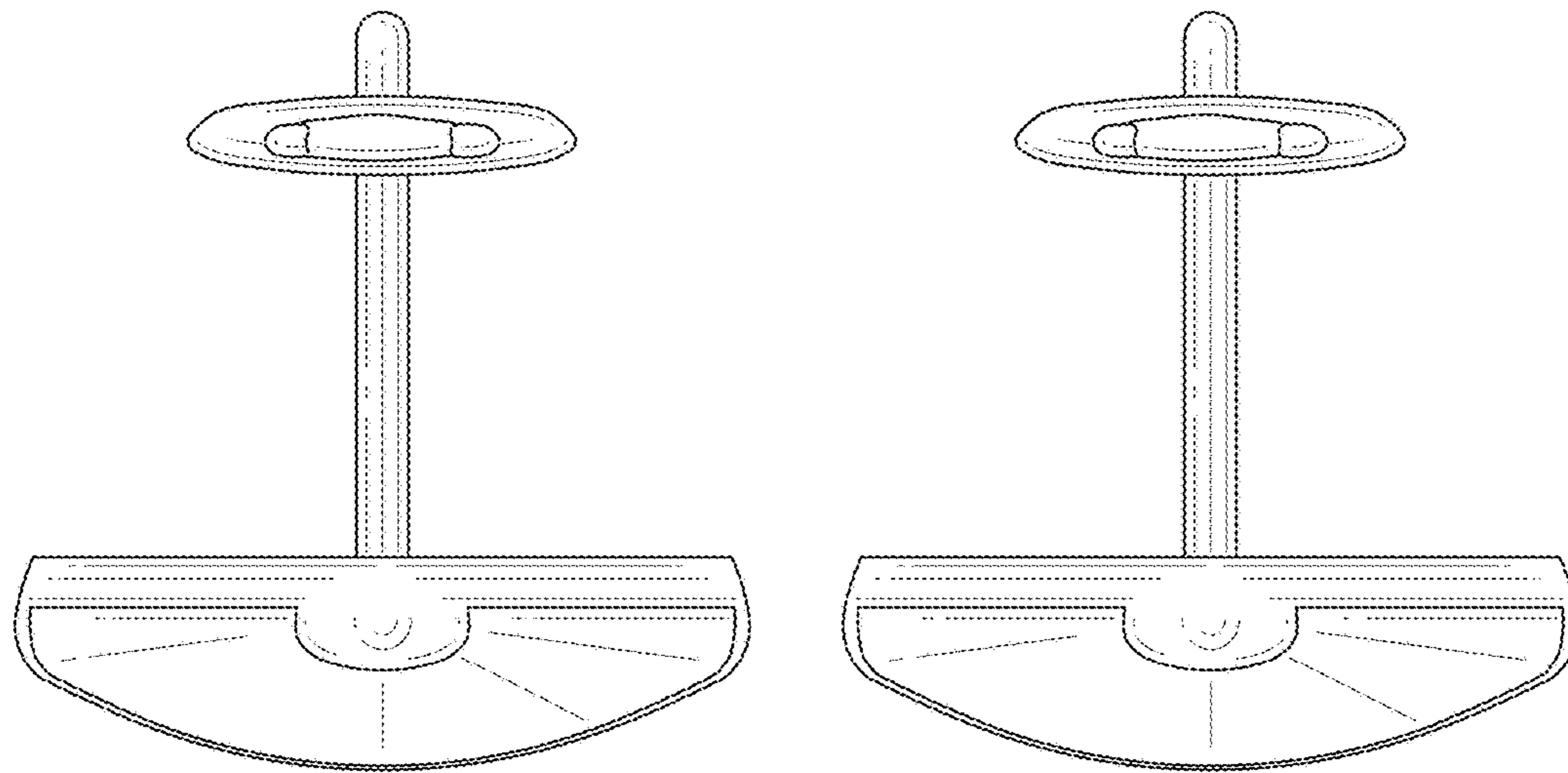


FIG. 6

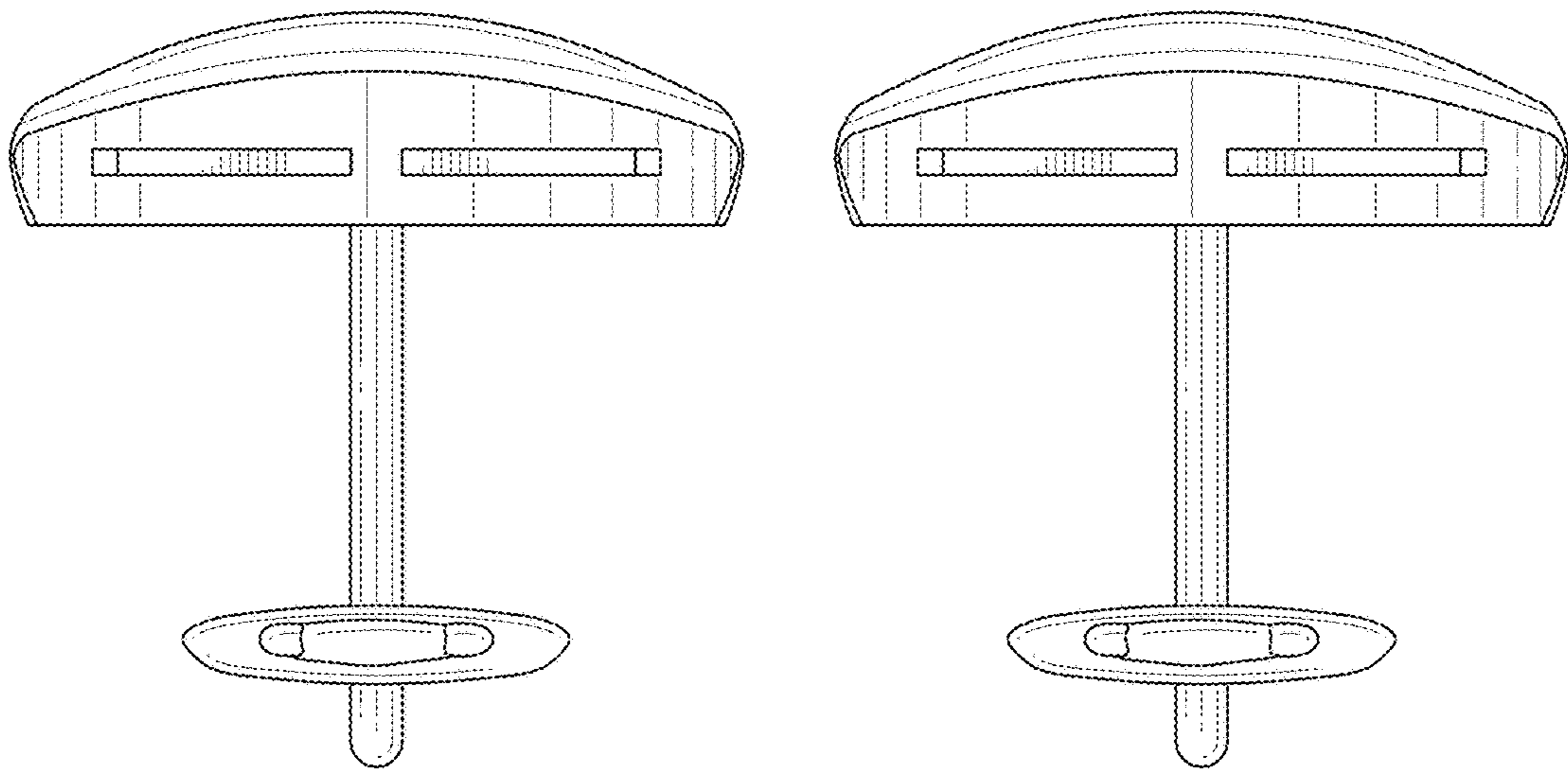


FIG. 7