



US00D830218S

(12) **United States Design Patent** (10) **Patent No.:** **US D830,218 S**
Silvestri (45) **Date of Patent:** **** Oct. 9, 2018**

(54) **BRACELET** 4,674,299 A * 6/1987 Azar A44C 13/00
63/7
(71) Applicant: **Bulgari S.p.A.**, Rome (IT) D291,542 S * 8/1987 Wagner D11/27
D565,450 S * 4/2008 Lebail D11/27
(72) Inventor: **Lucia Silvestri**, Rome (IT) D691,506 S * 10/2013 Hardy D11/27
D749,979 S * 2/2016 Traglio D11/27
(73) Assignee: **Bulgari S.p.A.**, Rome (IT) D780,012 S * 2/2017 Traglio D11/27
D780,013 S * 2/2017 Silvestri D11/28
D784,841 S * 4/2017 Amfitheatrof D11/27
D784,844 S * 4/2017 Amfitheatrof D11/27
(**) Term: **15 Years**

(21) Appl. No.: **29/543,296**
(22) Filed: **Oct. 22, 2015**

(30) **Foreign Application Priority Data**
Apr. 23, 2015 (WO) DM086277
(51) **LOC (11) Cl.** **11-01**
(52) **U.S. Cl.**
USPC **D11/4; D11/27**
(58) **Field of Classification Search**
USPC D11/1-39, 79, 91, 92
CPC A44C 5/00; A44C 5/0007; A44C 5/0015;
A44C 5/003; A44C 5/0053; A44C 9/00;
A44C 9/0007; A44C 9/0014; A44C
9/0023; A44C 9/003; A44C 9/0038; A44C
9/0046; A44C 9/0053; A44C 9/0061;
A44C 9/0069; A44C 9/0076; A44C
17/0258; A44C 17/0266; A44C 17/0275;
A44C 17/0283; A44C 17/02; A44C
17/0208
See application file for complete search history.

(56) **References Cited**
U.S. PATENT DOCUMENTS
D87,916 S * 10/1932 Granat D11/26
D115,439 S * 6/1939 Beaupre D11/5

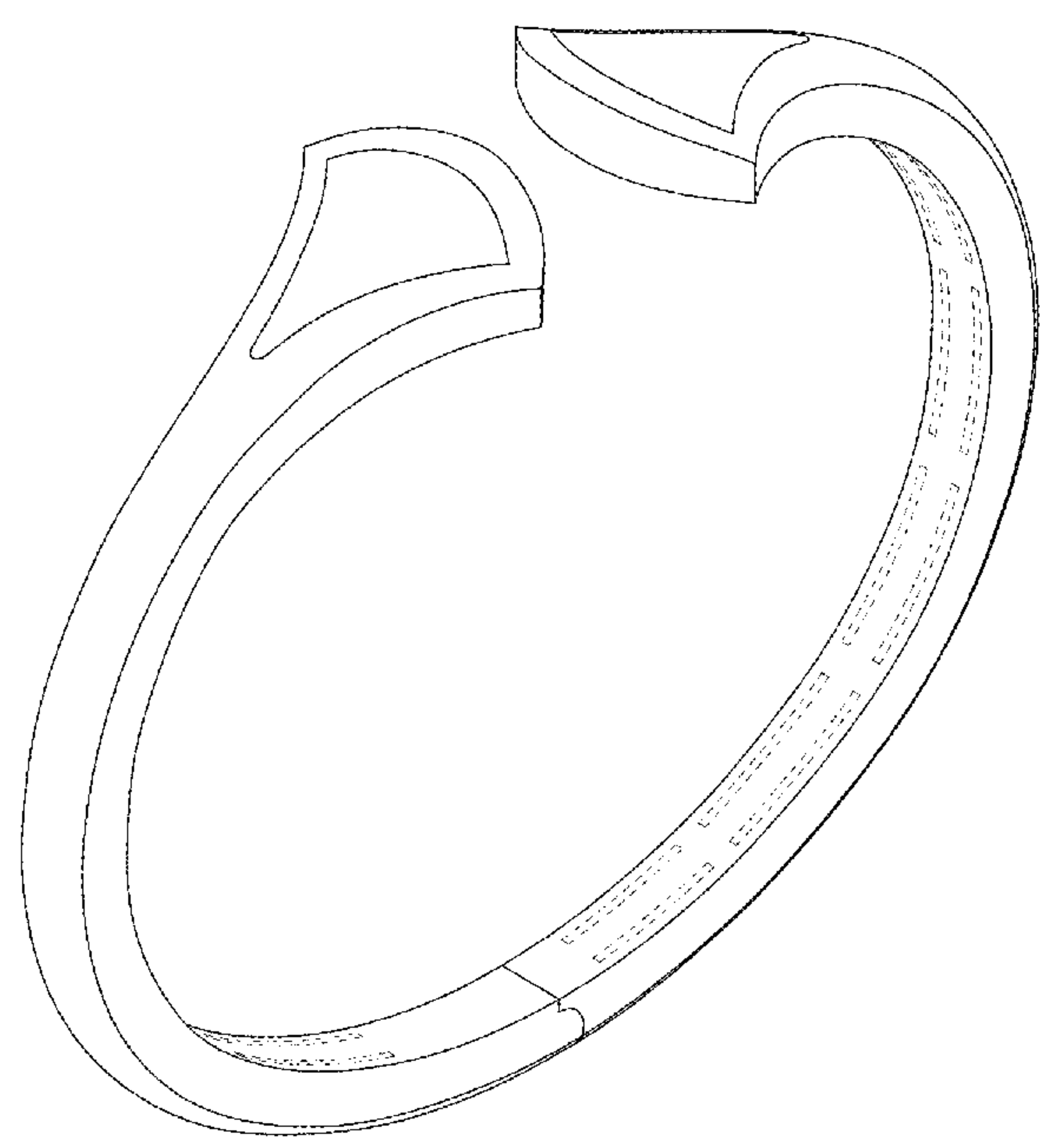
OTHER PUBLICATIONS
[Online] https://www.bulgari.com/media/catalog/product/cache/small_image/325x456/4d80747777cb3e0787431be668352562/D/I/DIVASDREAM-Bracelets-BVLGARI-BR857323-1_v06.png. Retrieved Dec. 28, 2017.*

* cited by examiner
Primary Examiner — Melanie Pellegrini
(74) *Attorney, Agent, or Firm* — Foley Hoag LLP

(57) **CLAIM**
The ornamental design for a bracelet, as shown and described.

DESCRIPTION
FIG. 1 is a front perspective view of a bracelet;
FIG. 2 is a front view thereof;
FIG. 3 is a back view thereof;
FIG. 4 is a bottom view thereof;
FIG. 5 is a top view thereof;
FIG. 6 is a right side view thereof; and,
FIG. 7 is a left side view thereof.
The broken lines depicted in the drawings represent portions of the bracelet that form no part of the claimed design.

1 Claim, 7 Drawing Sheets



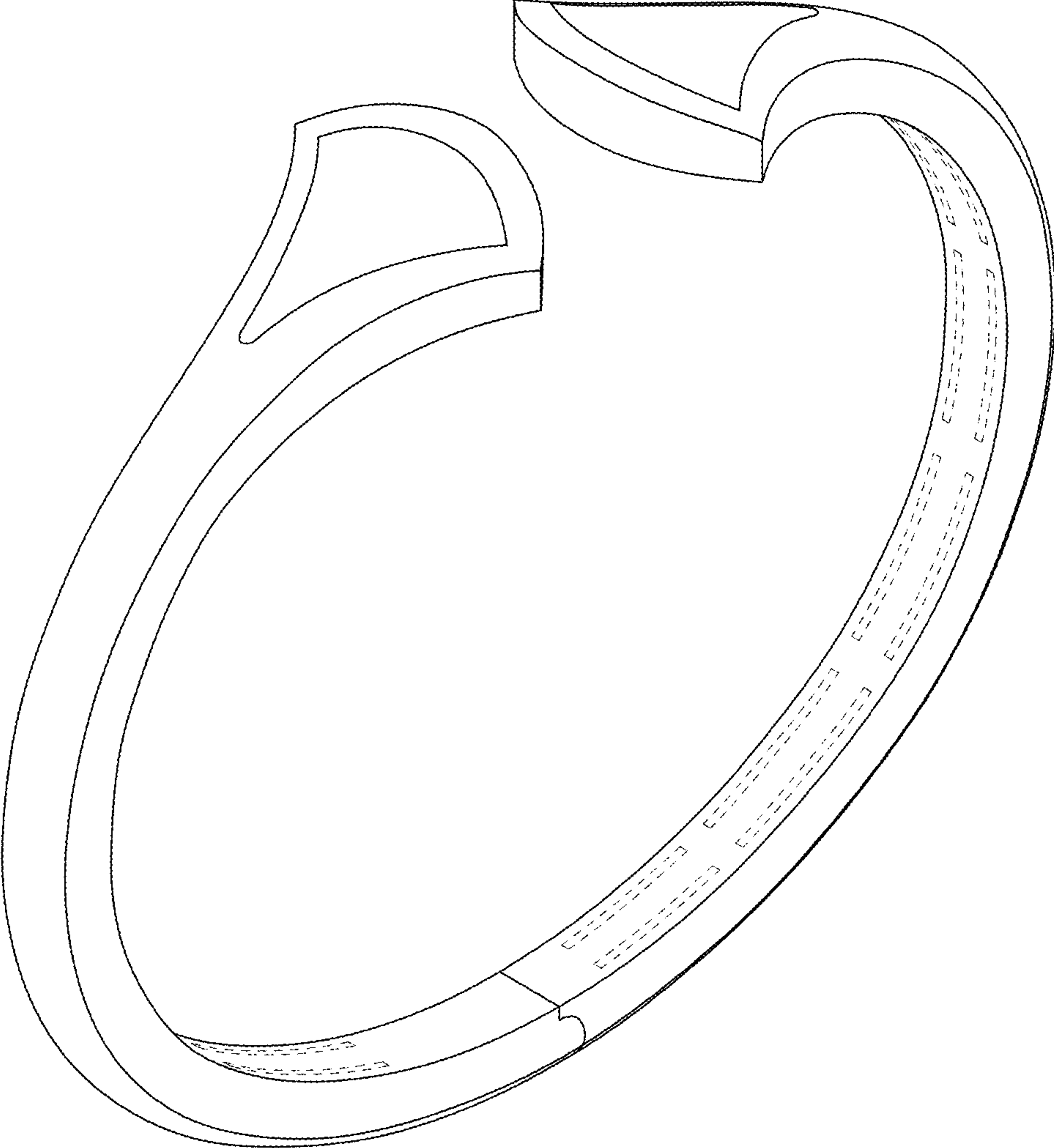


FIG. 1

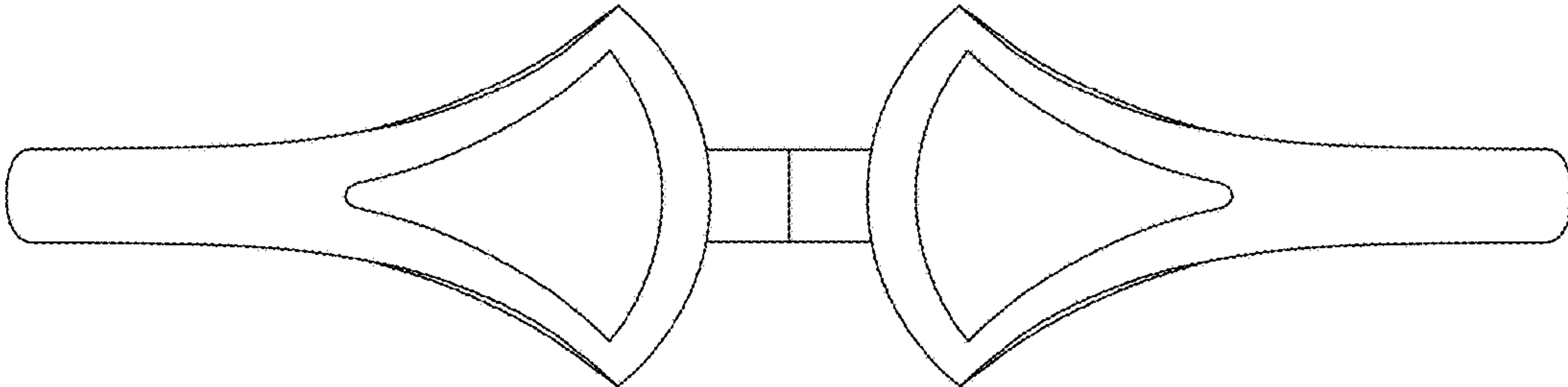


FIG. 2

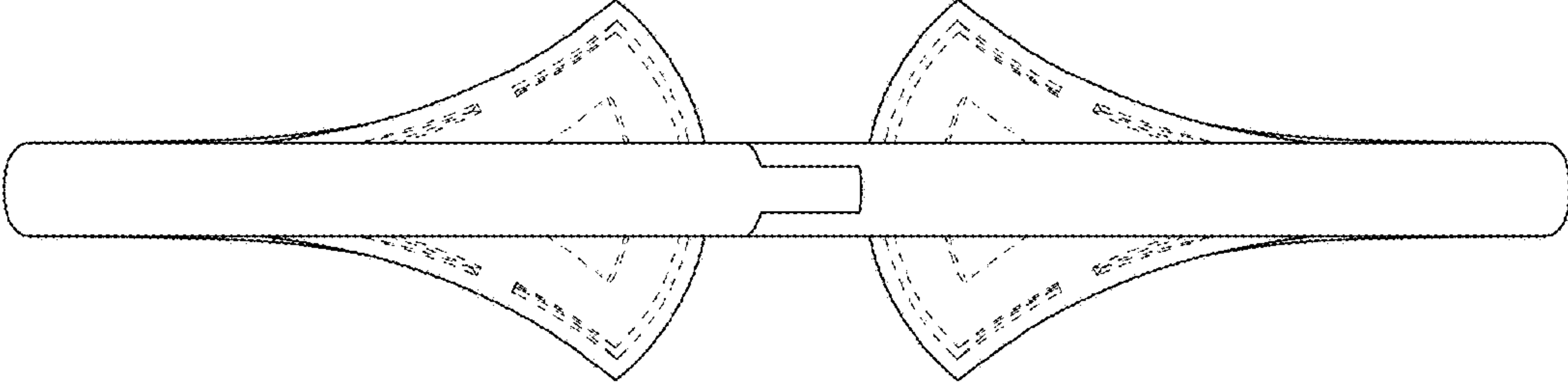


FIG. 3

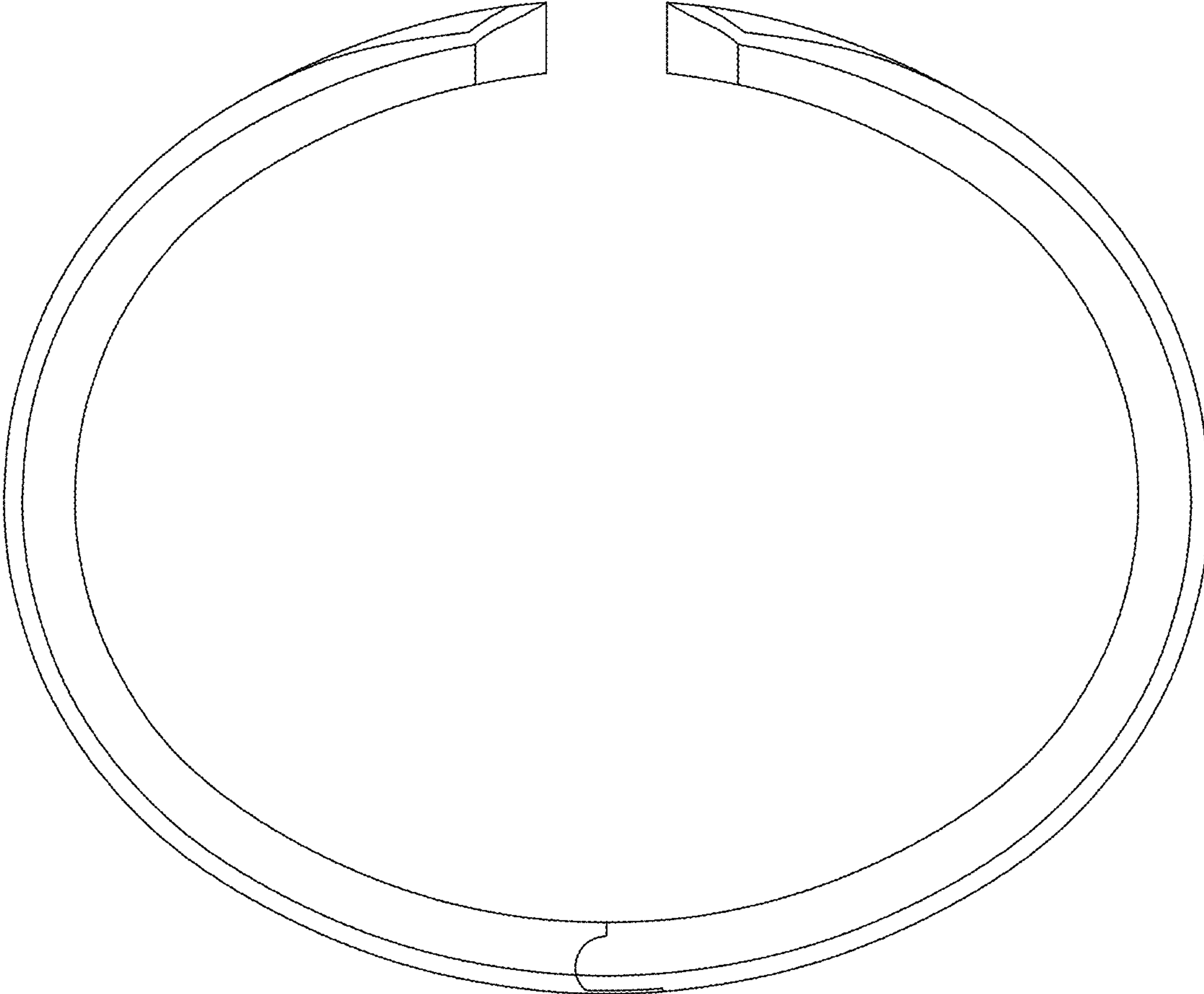


FIG.4

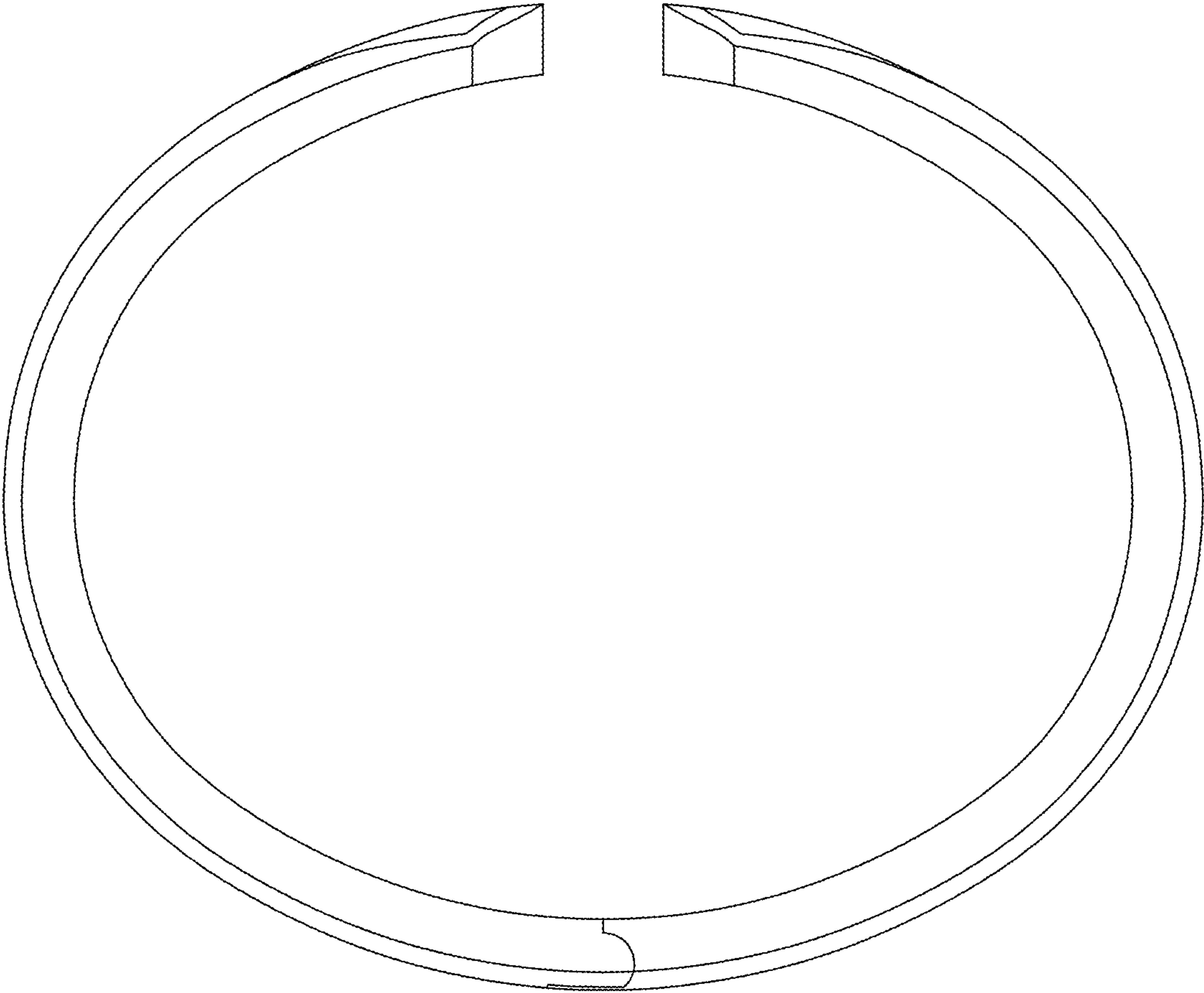


FIG.5

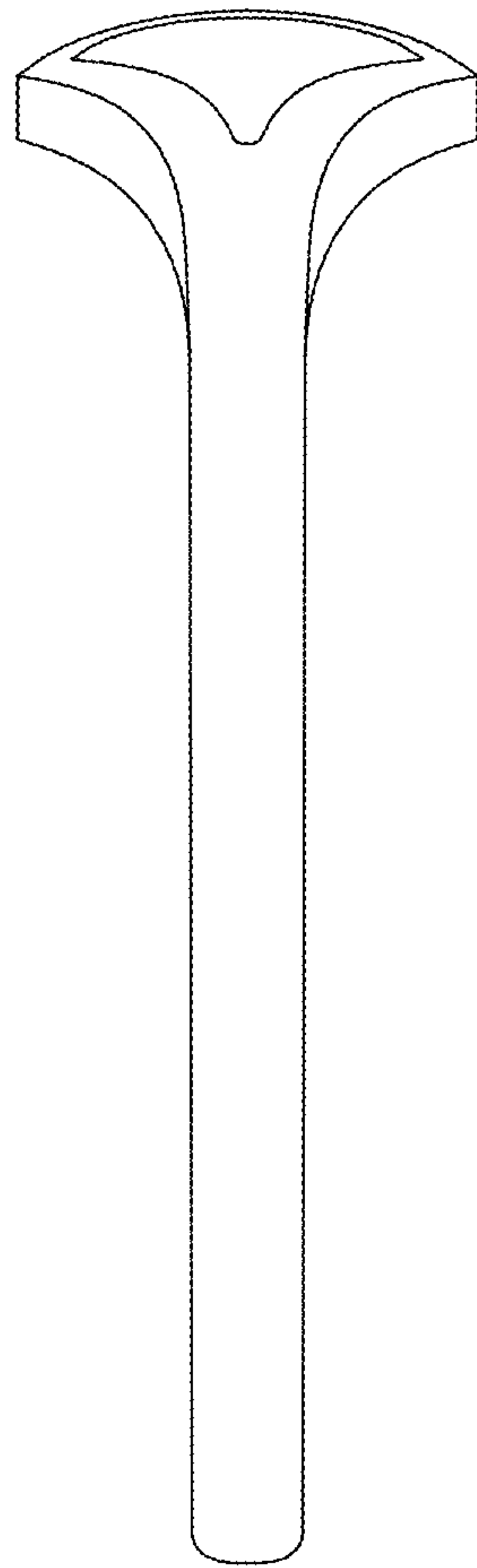


FIG. 6

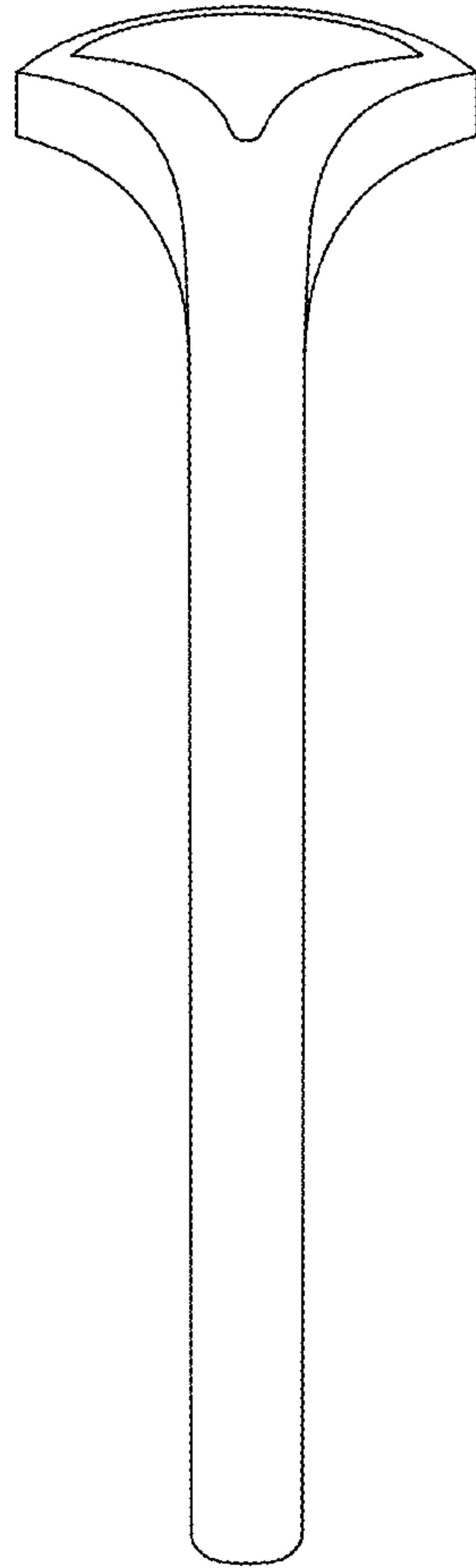


FIG. 7