



US00D830217S

(12) **United States Design Patent**
Choi et al.

(10) **Patent No.:** **US D830,217 S**

(45) **Date of Patent:** **** Oct. 9, 2018**

(54) **PORTABLE ELECTRONIC DEVICE**

OTHER PUBLICATIONS

(71) Applicant: **Samsung Electronics Co., Ltd.**,
Suwon-si (KR)

Oris ProPilot Altimeter | posted by Zach Weiss at wornandwound.com Jul. 18, 2014 Copyright © 2011-2017, worn&wound LLC [online][site visited Jan. 5, 2018]. Available from Internet: <http://wornandwound.com/introducing-oris-propilot-altimeter/> (Year: 2014).*

(72) Inventors: **Kwangha Choi**, Seoul (KR); **Sanhui Oh**, Seoul (KR); **Yongseok Bang**, Yongin-si (KR); **Jaehyung Hong**, Seoul (KR)

(Continued)

(73) Assignee: **SAMSUNG ELECTRONICS CO., LTD.**, Suwon-si (KR)

Primary Examiner — Sandra S Snapp

Assistant Examiner — Katherine Glennon

(74) *Attorney, Agent, or Firm* — McAndrews Held & Malloy, Ltd.

(**) Term: **15 Years**

(21) Appl. No.: **29/582,603**

(57) **CLAIM**

(22) Filed: **Oct. 28, 2016**

The ornamental design for a portable electronic device, as shown and described.

(30) **Foreign Application Priority Data**

Jul. 18, 2016 (KR) 30-2016-0034887

(51) **LOC (11) Cl.** **10-07**

(52) **U.S. Cl.**
USPC **D10/131**

(58) **Field of Classification Search**
USPC D10/22, 30-32, 37-39, 65, 70, 98, 103,
D10/122-124, 126-128, 131; D14/344
(Continued)

DESCRIPTION

FIG. 1 is a front perspective view of a portable electronic device showing our new design;
FIG. 2 is a front elevation view thereof;
FIG. 3 is a rear elevation view thereof;
FIG. 4 is a left side elevation view thereof;
FIG. 5 is a right side elevation view thereof;
FIG. 6 is a top plan view thereof;
FIG. 7 is a bottom plan view thereof;
FIG. 8 is an enlarged view of the portion delineated in FIG. 1; and,
FIG. 9 is an enlarged view of the portion delineated in FIG. 2.
The dashed broken lines in the drawings represent portions of the portable electronic device that form no part of the claimed design. The dot-dash broken lines in FIGS. 1, 2, 8 and 9 delineate portions of the claimed design that are illustrated in enlargements, and form no part of the claimed design.

(56) **References Cited**

U.S. PATENT DOCUMENTS

3,427,800 A * 2/1969 Blum G04B 19/283
368/223
3,482,392 A * 12/1969 Ooki G04B 19/24
368/233

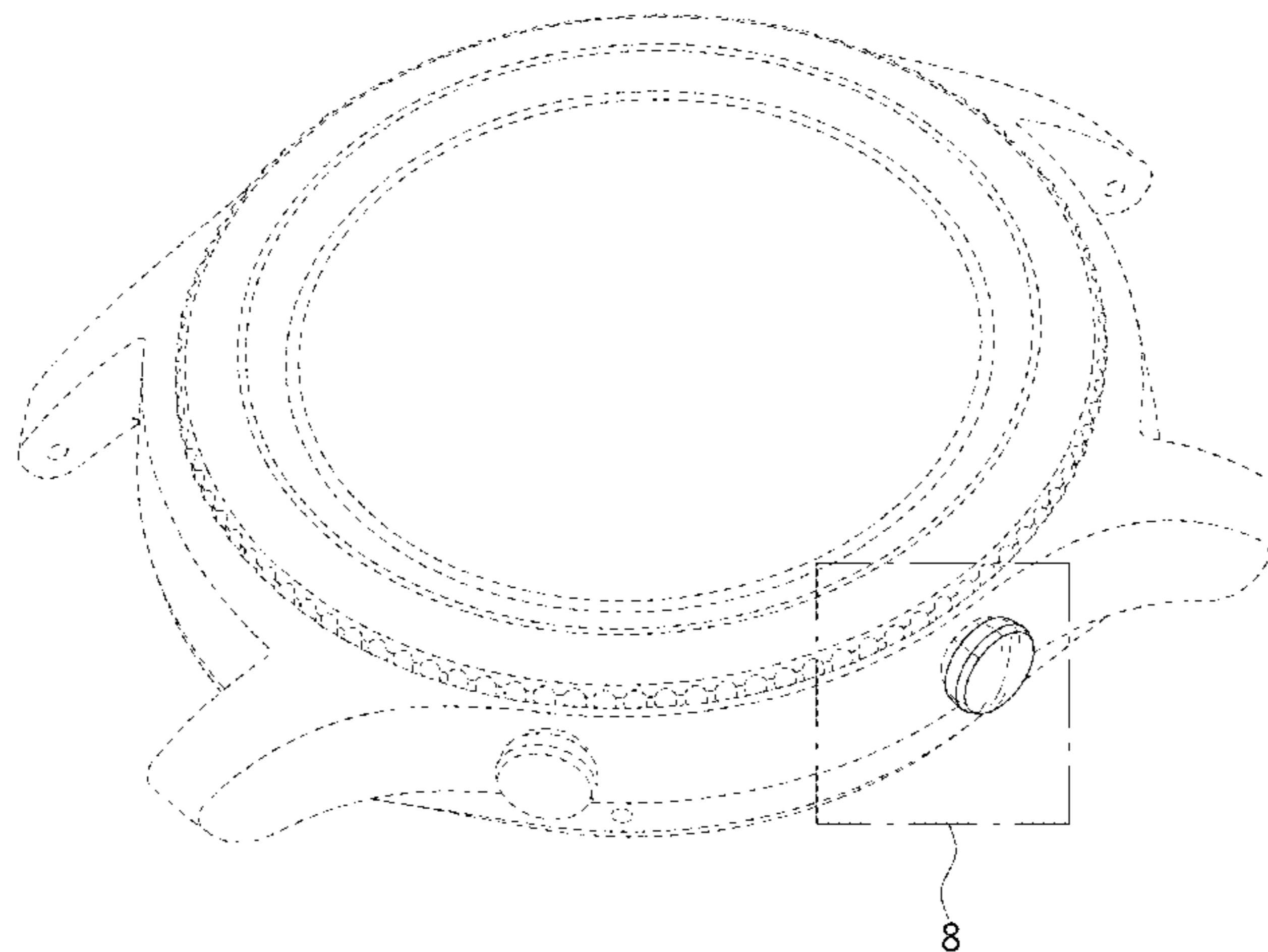
(Continued)

FOREIGN PATENT DOCUMENTS

CN 303231365 S 6/2015
EM 000566328-0023 7/2006

(Continued)

1 Claim, 7 Drawing Sheets



(58) **Field of Classification Search**

CPC A44C 5/16; A44C 5/22; A44C 5/24; A44C 5/243; A44C 5/246; A44C 5/10; A44C 5/102; A44C 5/105; A44C 5/107; A44C 5/02; A44C 5/027; A44C 5/00; A44C 5/0053; A44C 5/0076; A44C 5/0069; G04B 19/06; G04B 19/08; G04B 19/085; G04B 19/103; G04B 19/12; G04B 19/18; G04B 19/22; G04B 19/223; G04B 19/24; G04B 19/26; G04B 19/283; G04B 19/30; G04B 19/00; G04B 19/025; G04B 19/04; G04B 3/046; G04B 3/048; G04B 37/106; G04B 3/001; G04B 37/1486; G04F 7/08; G04F 7/0804; G04F 7/0842; G04F 7/0852; G04F 7/0857; G04F 7/0861; G04F 7/0871; G04F 7/0876

See application file for complete search history.

2005/0073806 A1* 4/2005 Oesch H01R 13/6485
361/679.01
2008/0089185 A1* 4/2008 Martin G04B 37/1486
368/282
2008/0159081 A1* 7/2008 Laucella G04B 3/048
368/190
2011/0085424 A1* 4/2011 El Kadiri G04B 3/043
368/288
2013/0215724 A1* 8/2013 Hiranuma H01H 9/20
368/319
2015/0043314 A1* 2/2015 Hiranuma G04B 3/048
368/308

FOREIGN PATENT DOCUMENTS

EM 002619106-0001 1/2015
EM 002759373-0002 1/2016
WO D085883 3/2015

(56)

References Cited

U.S. PATENT DOCUMENTS

3,901,017 A * 8/1975 Erni G04B 19/00
368/37
4,363,554 A * 12/1982 Schaffner G04B 27/00
368/184
D364,822 S * 12/1995 Sakai D10/38
6,227,700 B1 * 5/2001 Hunziker G04B 3/048
368/321
D508,418 S * 8/2005 Kraft D10/38
D536,266 S * 2/2007 Tomimatsu D10/38
D536,268 S * 2/2007 Asakawa D10/38
D536,627 S * 2/2007 Behling D10/38
D536,997 S * 2/2007 Asakawa D10/38
D537,367 S * 2/2007 Oshita D10/31
D672,664 S * 12/2012 Monachon D10/32
D685,666 S * 7/2013 Nakai D10/128
D695,637 S * 12/2013 Jacquerye D10/39
8,770,831 B1 * 7/2014 Lalo A44C 5/14
224/177
D733,602 S * 7/2015 Ikezu D10/128
D733,603 S * 7/2015 Graf D10/128
D740,704 S * 10/2015 Park D10/38
9,360,841 B1 * 6/2016 Tolani G04B 3/045
D772,868 S * 11/2016 Park D10/39
D776,109 S * 1/2017 Shin D14/344
D802,587 S * 11/2017 Lee D14/344
2004/0256205 A1 * 12/2004 Oshio G04B 3/048
200/43.13

OTHER PUBLICATIONS

Huawei Watch-New Atlas | posted by Chris Wood at newatlas.com Sep. 5, 2015 Copyright © Gizmag Pty Ltd 2018 [online][site visited Jan. 5, 2018]. Available from Internet: <<https://newatlas.com/huawei-watch-review-hands-on/39265/>> (Year: 2015).*

Huawei Android Wear Smartwatch | posted Mar. 1, 2015 by Nicole Lee at Endgadget.com © 2018 Oath Tech Network AOL Tech. [online][site visited Jan. 5, 2018]. Available from Internet: <<https://www.engadget.com/2015/03/01/huawei-watch/#/>> (Year: 2015).*

Swatch Irony Xlite Watches | posted at ablogtowatch.com Feb. 2015 © 2007-2018 aBlogtoWatch [online][site visted May 21, 2018]. Available from Internet: <<https://www.ablogtowatch.com/swatch-irony-xlite-watches-new-2015> (Year: 2015).*

LG Watch Urbane | posted at androidheadlines.com Feb. 2015 © 2018 Android Headlines [online][site visited May 18, 2018]. Available from Internet: <<https://www.androidheadlines.com/2015/02/lg-announce-4g-lte-capable-watch-urbane-take-samsungs-gear-s.html>> (Year: 2015).*

Maurice Lacroix Pontos Chronographe Retro | posted at lifeofawis.com Nov. 2014 © 2014-2018 Life of a WIS [online][site visited May 18, 2018]. Available from Internet: <<http://www.lifeofawis.com/blog/2014/11/3/hands-on-review-maurice-lacroix-pontos-chronographe-retro>> (Year: 2014).*

Audemars Piquet Royal Oak | posted at watchesbysjx.blogspot.com Apr. 2014 © Su Jia Xian 2011 onwards [online][site visited May 18, 2018]. Available from Internet: <<http://watchesbysjx.blogspot.com/2014/04/a-hands-on-in-depth-guide-to-new.html>> (Year: 2014).*

* cited by examiner

FIG. 1

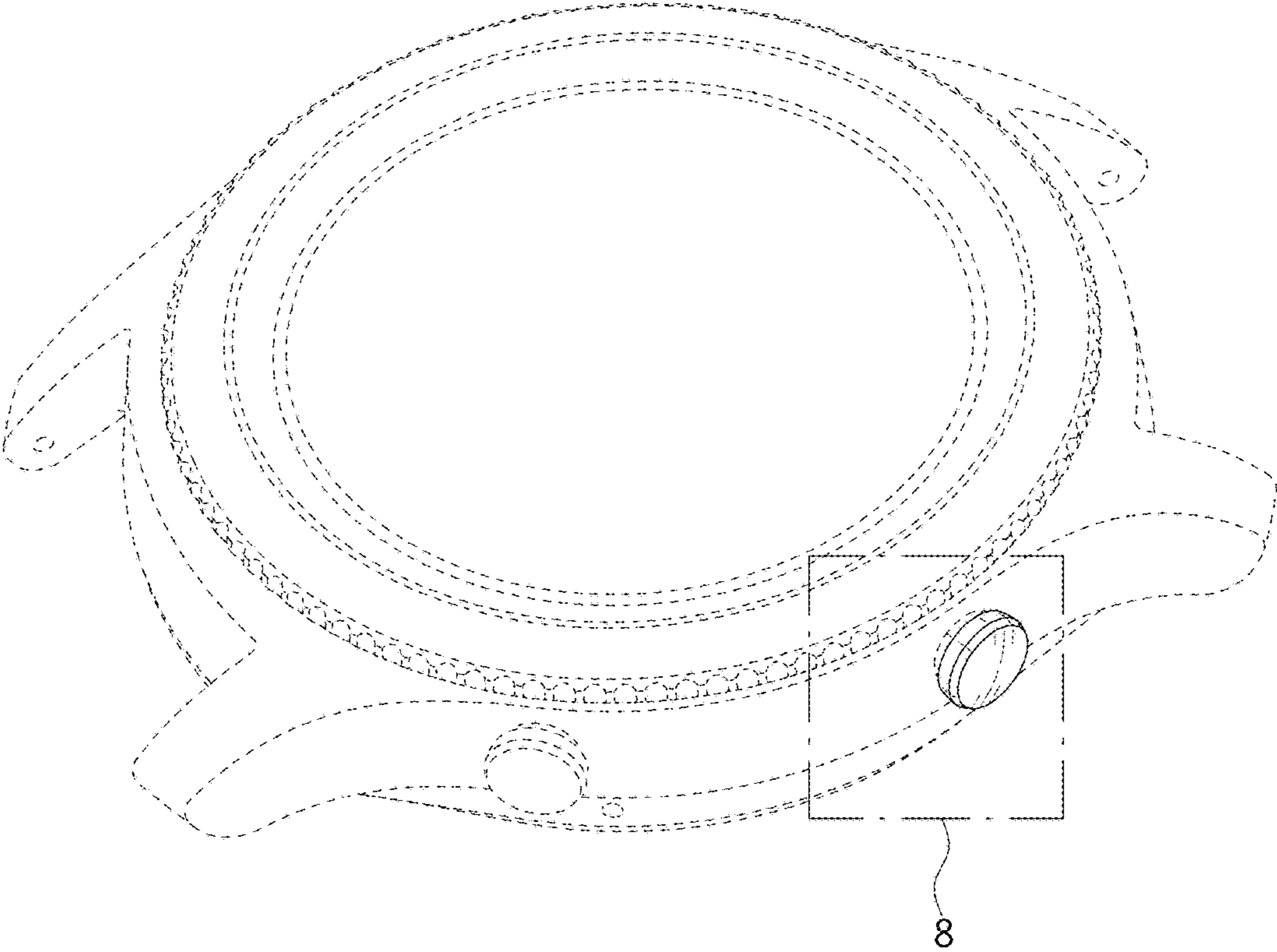


FIG. 2

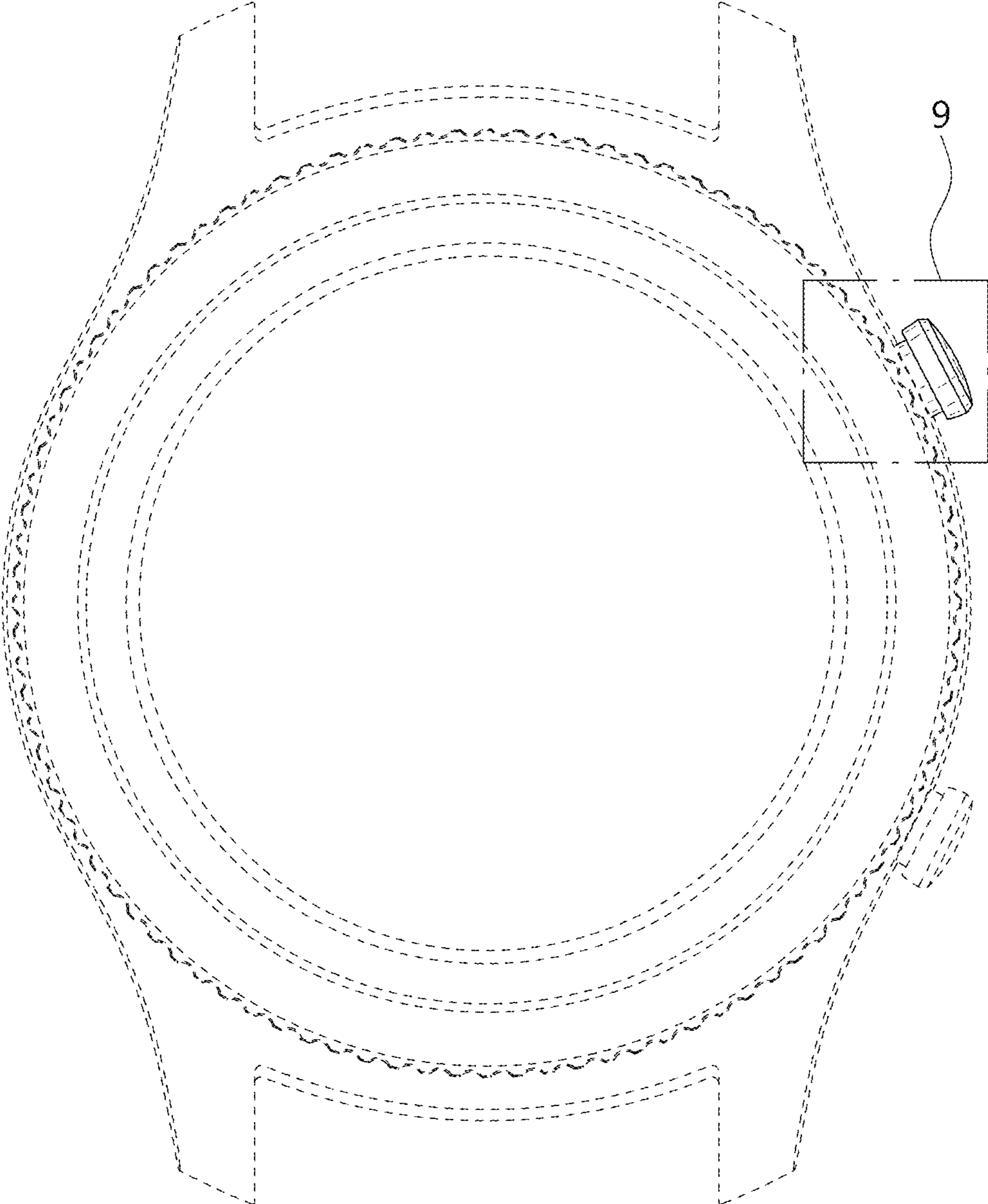


FIG. 3

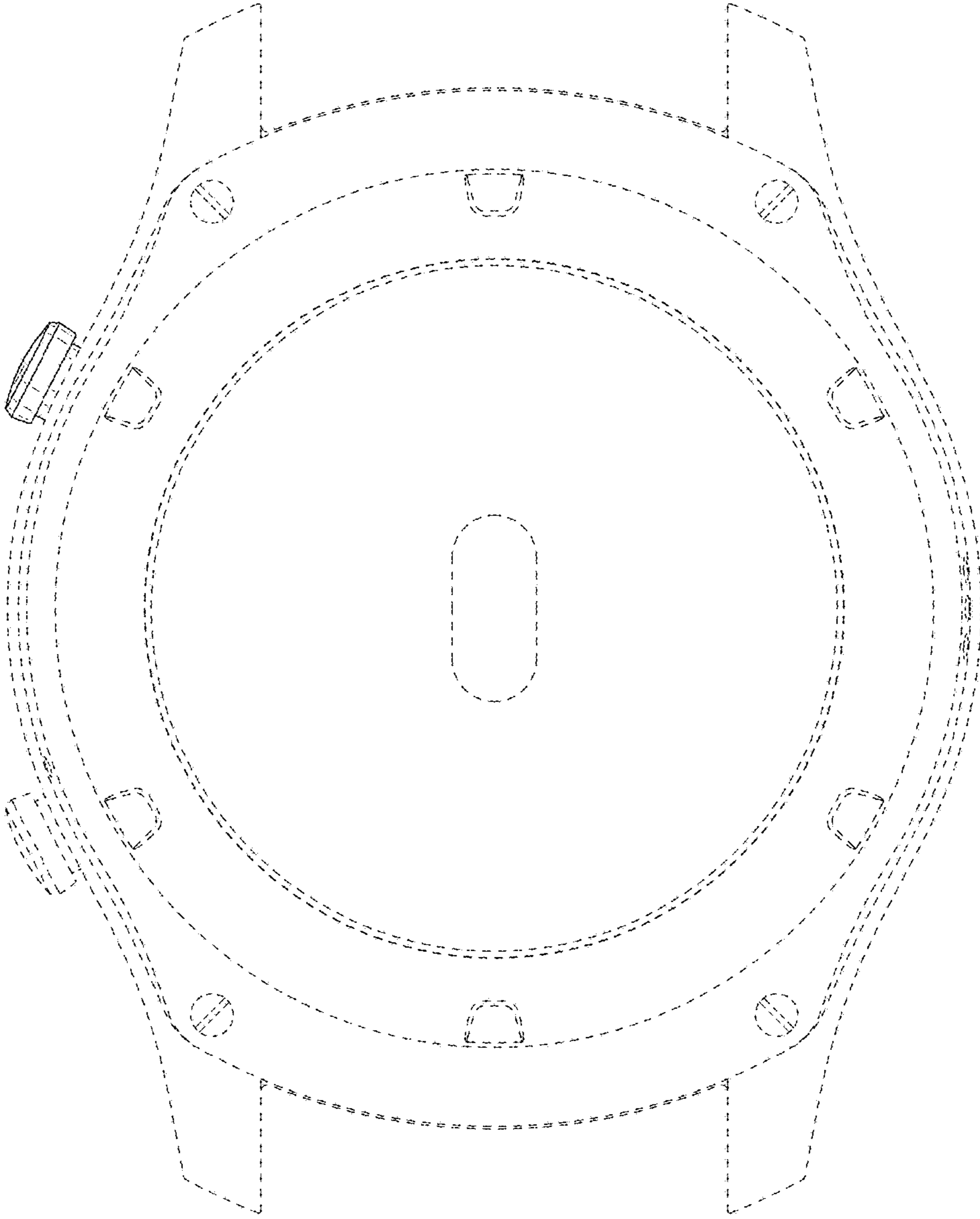


FIG. 4

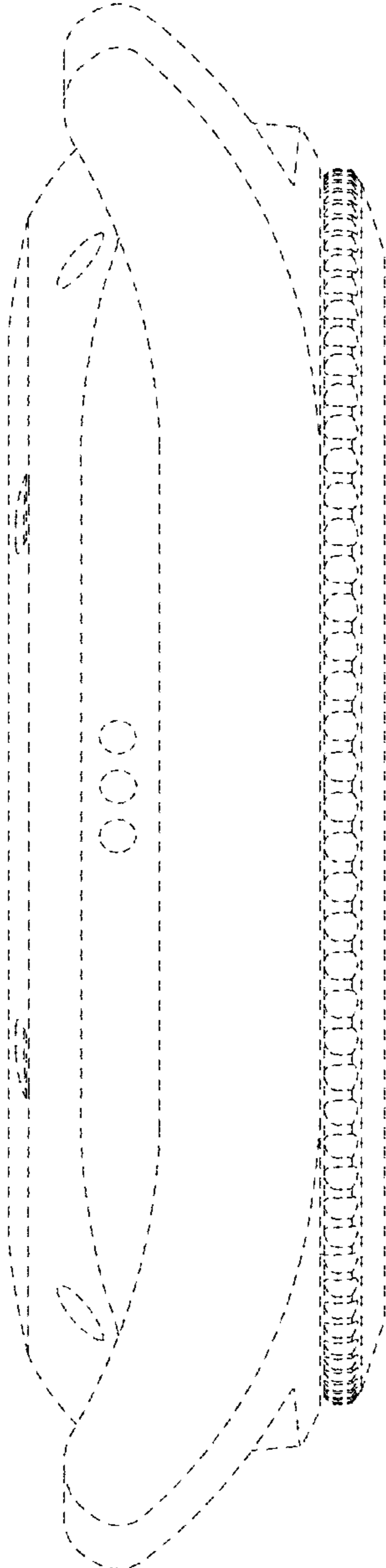


FIG. 5

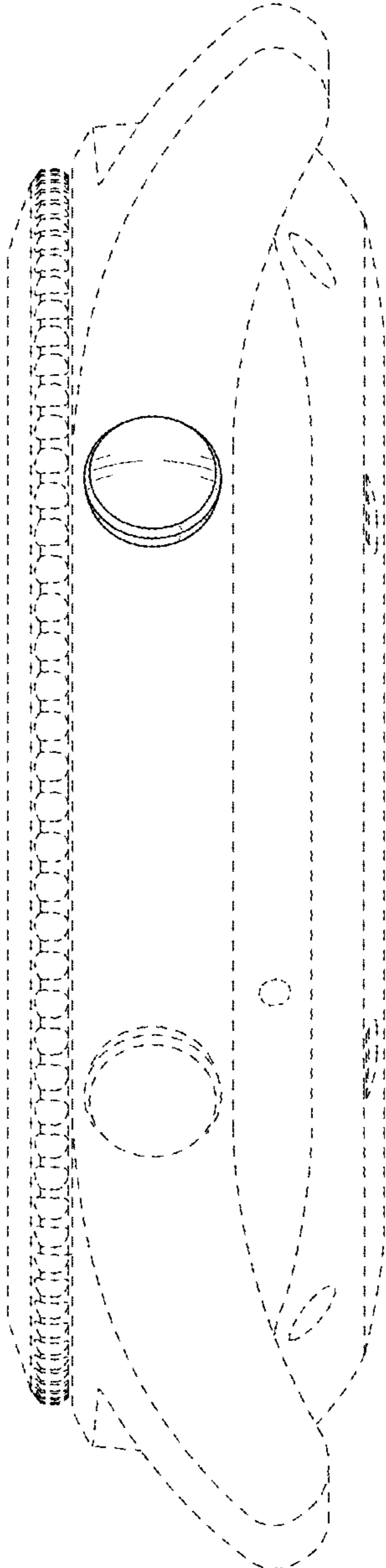


FIG. 6

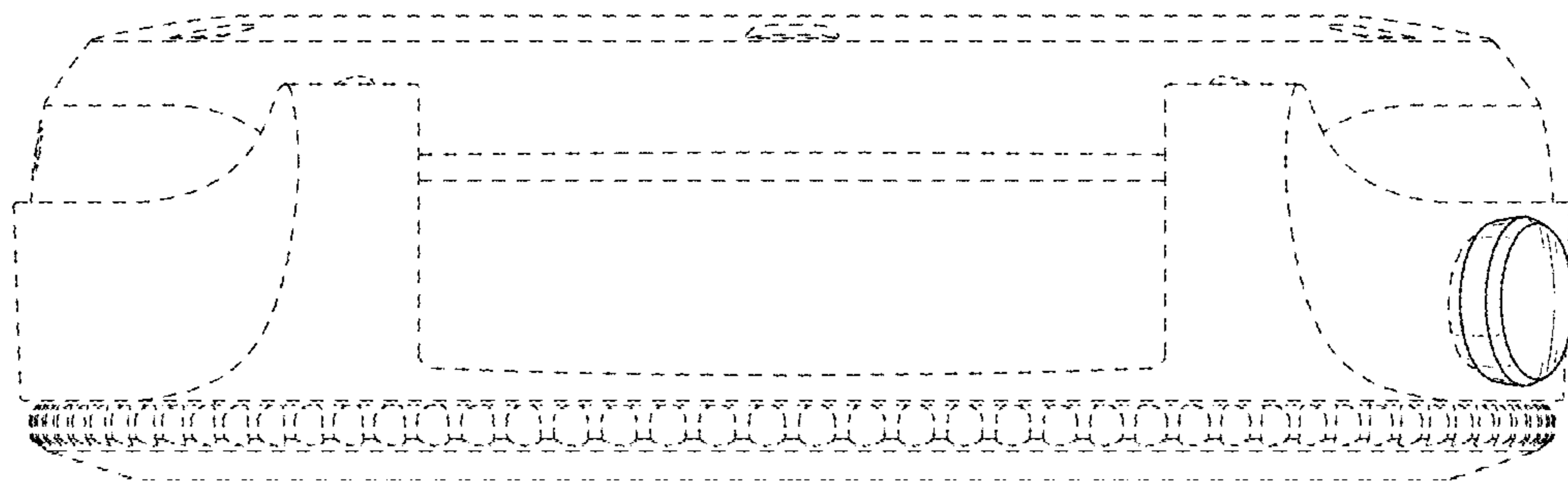


FIG. 7

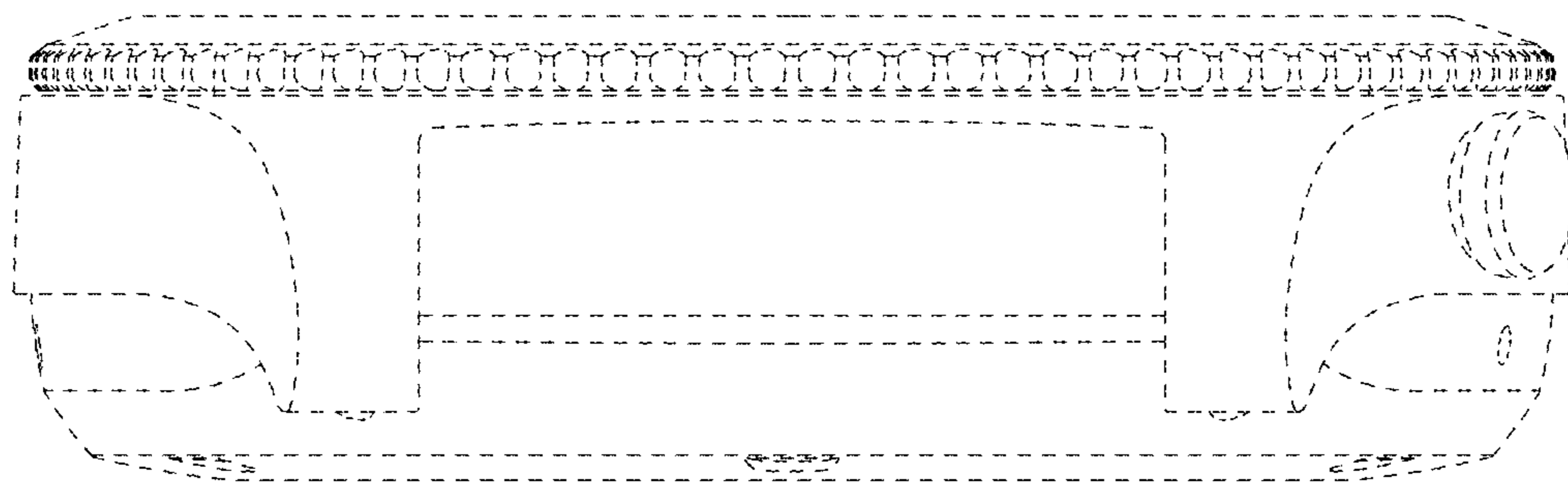


FIG. 8

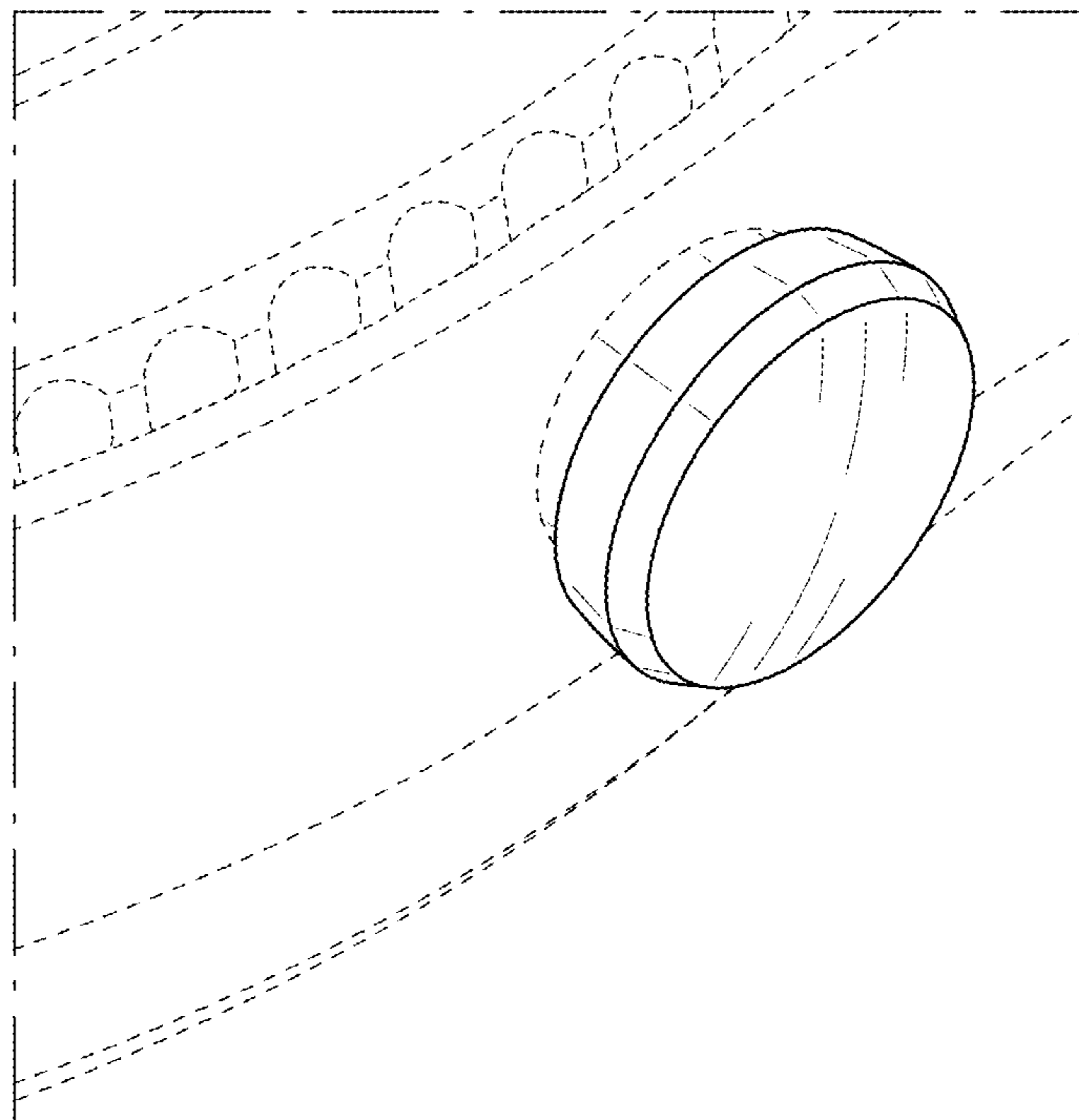


FIG. 9

