



US00D830213S

(12) **United States Design Patent** (10) **Patent No.:** **US D830,213 S**  
**Taylor et al.** (45) **Date of Patent:** **\*\* Oct. 9, 2018**

(54) **VISUAL ALARM FOR ALARM UNIT**

(56) **References Cited**

(71) Applicant: **Tyco Fire & Security GmbH**,  
Neuhausen am Rheinfall (CH)  
(72) Inventors: **Paul J. Taylor**, Surrey (GB); **Faruk Meah**, Surrey (GB); **Andreas Brenner**,  
Hohenkirchen (DE); **Jake Pearson**,  
Essex (GB)  
(73) Assignee: **Tyco Fire & Security GmbH**,  
Neuhausen am Rheinfall (CH)  
(\*\*) Term: **15 Years**  
(21) Appl. No.: **29/626,314**  
(22) Filed: **Nov. 16, 2017**

U.S. PATENT DOCUMENTS

D211,427 S	*	6/1968	Brubaker .....	D10/106.5
D216,231 S	*	12/1969	Hauser .....	D10/106.5
D220,590 S	*	4/1971	Wolfe .....	D10/106.5
D240,120 S	*	6/1976	Pasquarette .....	D10/106.5
D249,481 S	*	9/1978	Conforti .....	D10/106.5
D249,483 S	*	9/1978	Conforti .....	D10/106.5
D306,409 S	*	3/1990	Fish .....	D10/106.5
D340,416 S		10/1993	Fenne .....	
D426,482 S	*	6/2000	Sakurai .....	D10/106.5
D700,095 S		2/2014	Dohi et al. ....	
D757,585 S		5/2016	Hojmose .....	
D769,756 S		10/2016	Hojmose .....	
D773,947 S		12/2016	Scarcella et al. ....	
D805,940 S	*	12/2017	Taylor .....	D10/106.5
2008/0018485 A1		1/2008	Kadwell et al. ....	

\* cited by examiner

*Primary Examiner* — George D Kirschbaum  
*Assistant Examiner* — Joseph J Kukella  
(74) *Attorney, Agent, or Firm* — HoustonHogle LLP

**Related U.S. Application Data**

(62) Division of application No. 29/590,034, filed on Jan. 6, 2017, now Pat. No. Des. 805,408.

(57) **CLAIM**

The ornamental design for a visual alarm for alarm unit, as shown and described.

(30) **Foreign Application Priority Data**

Nov. 30, 2016 (EP) ..... 003493139-0001  
Nov. 30, 2016 (EP) ..... 003493139-0002  
Nov. 30, 2016 (EP) ..... 003493139-0003

**DESCRIPTION**

(51) **LOC (11) Cl.** ..... **10-05**  
(52) **U.S. Cl.**  
USPC ..... **D10/106.5**

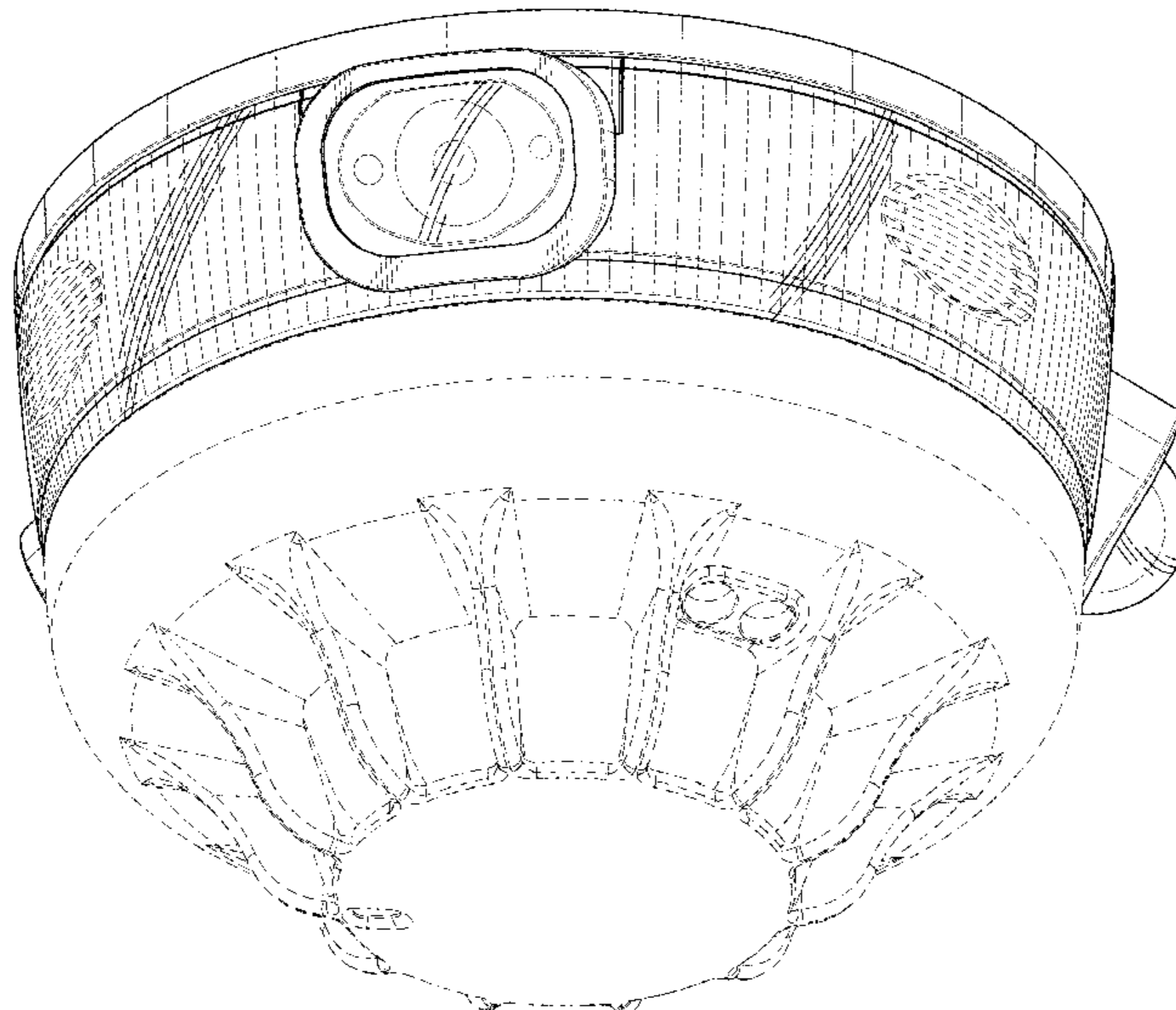
(58) **Field of Classification Search**  
USPC ..... D10/104.1, 106.1, 106.2, 106.3, 106.5  
CPC ..... G08B 17/00; G08B 17/06; G08B 17/10;  
G08B 17/11; G08B 17/12; G08B 17/103;  
G08B 17/107

FIG. 1 is a perspective view of a visual alarm for an alarm unit in accordance with the present invention;  
FIG. 2 is front side view thereof;  
FIG. 3 is right side view thereof;  
FIG. 4 is left side view thereof;  
FIG. 5 is rear side view thereof;  
FIG. 6 is bottom view thereof; and,  
FIG. 7 is top view thereof.

The features shown in broken lines in the various Figures are for illustrating environmental structure and form no part of the claimed design.

See application file for complete search history.

**1 Claim, 7 Drawing Sheets**



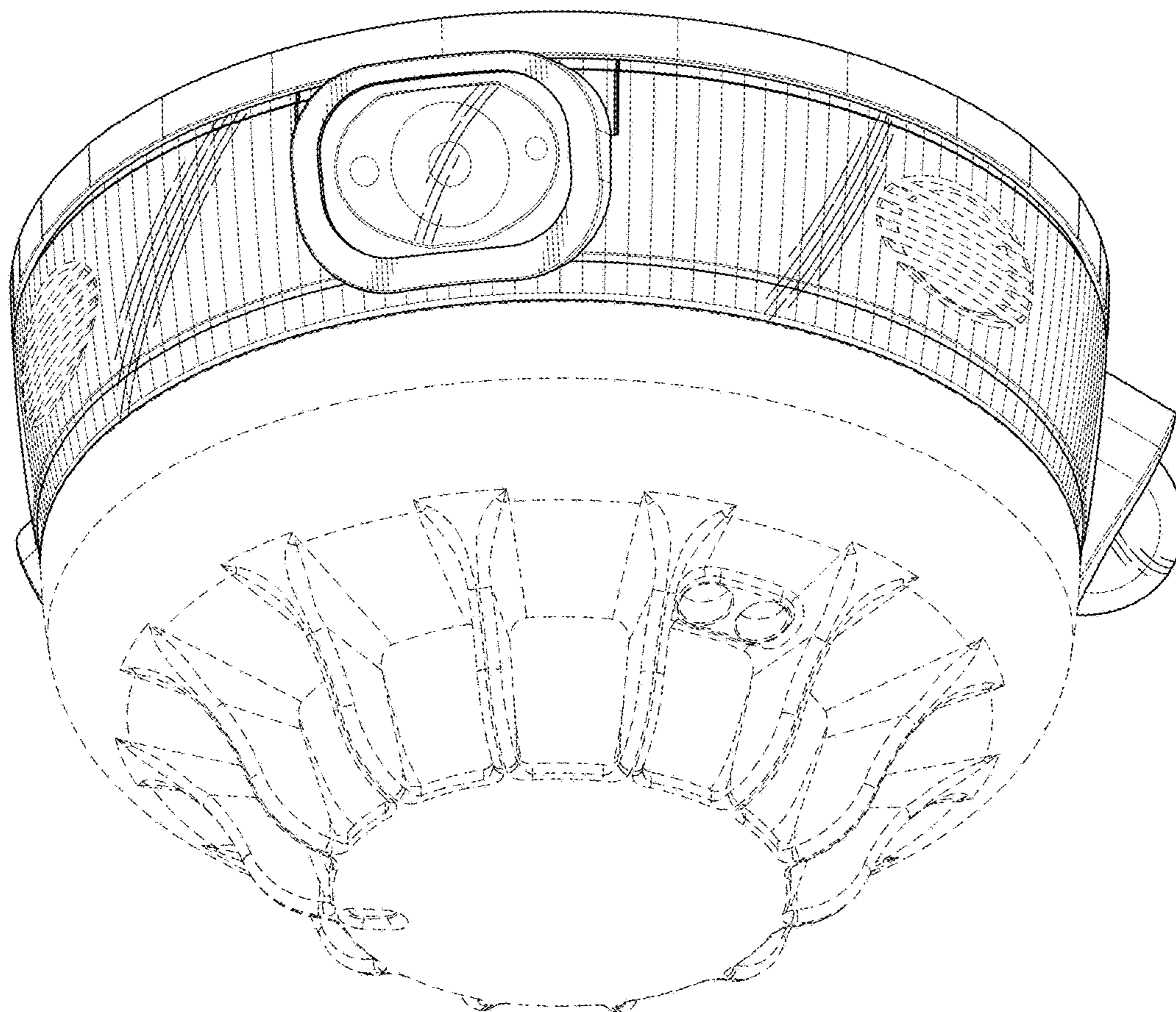


FIG. 1

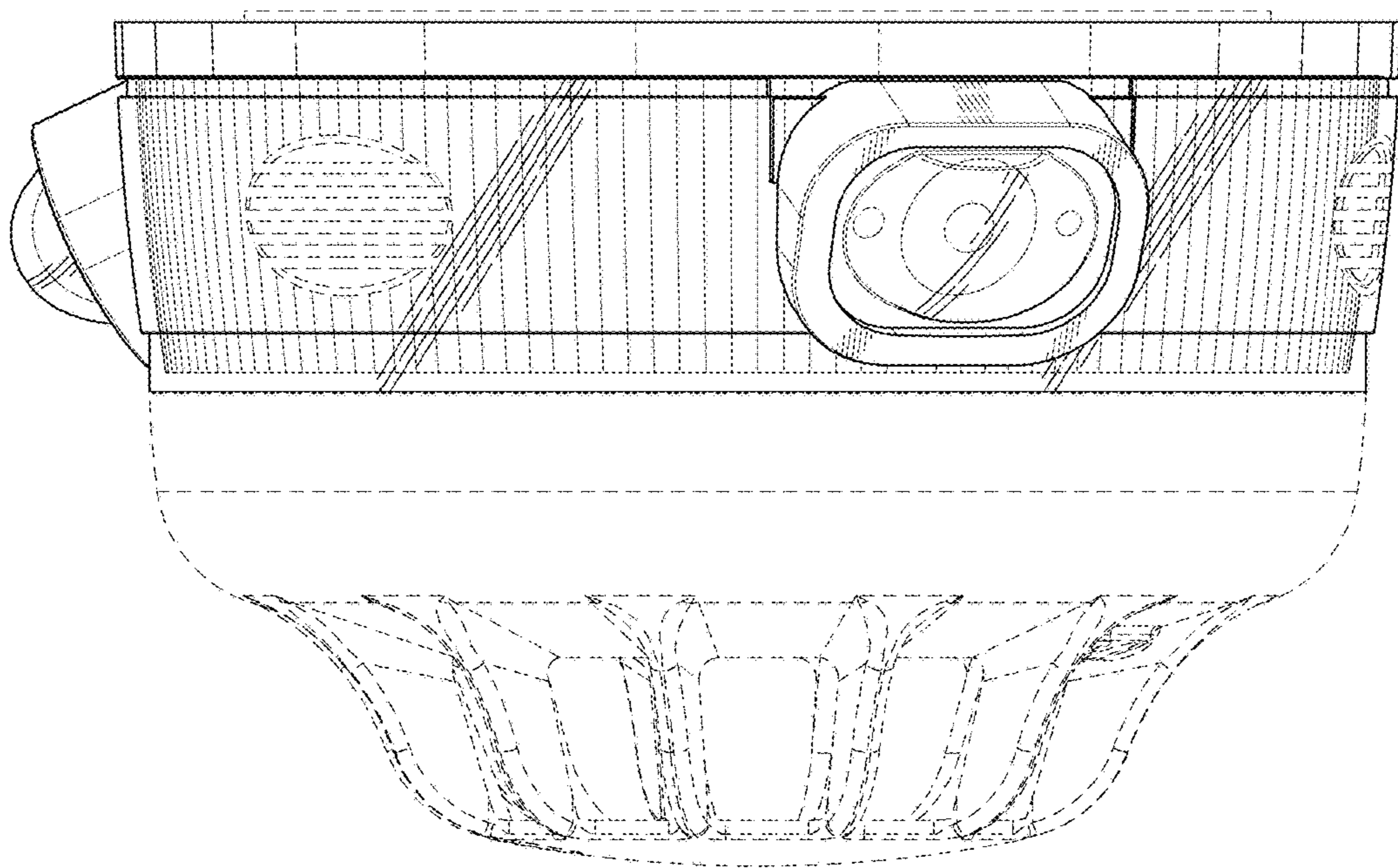


FIG. 2

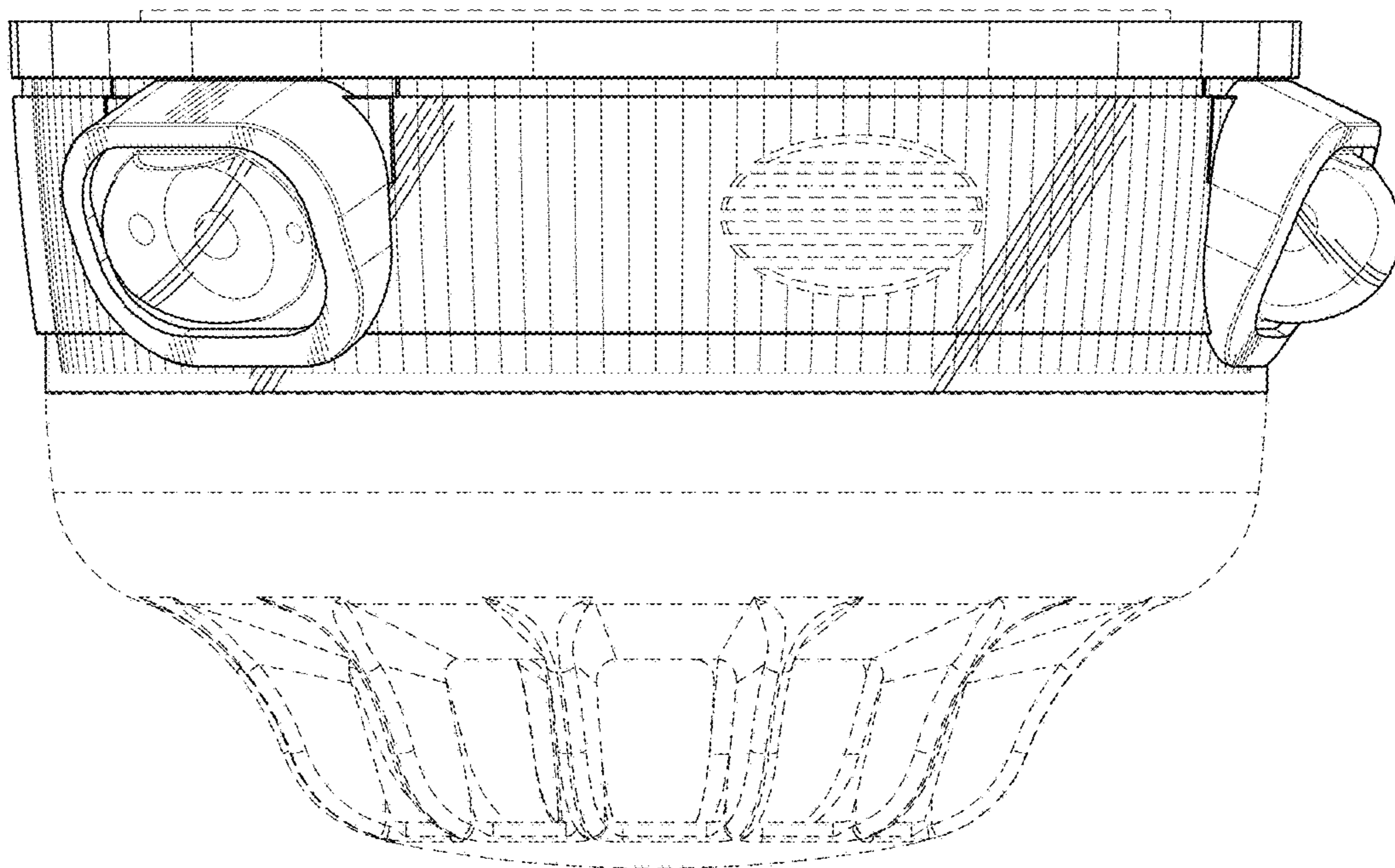


FIG. 3

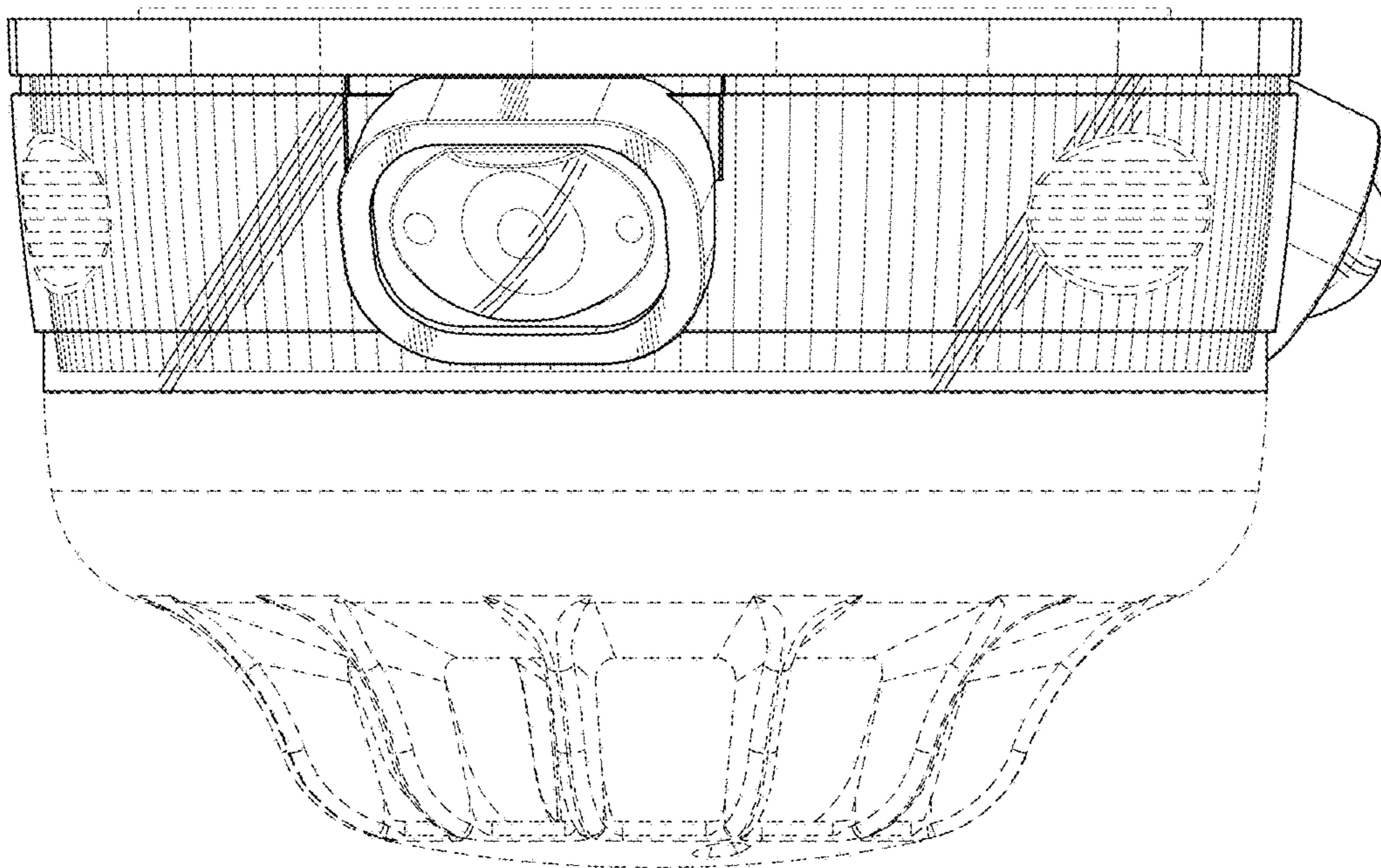


FIG. 4

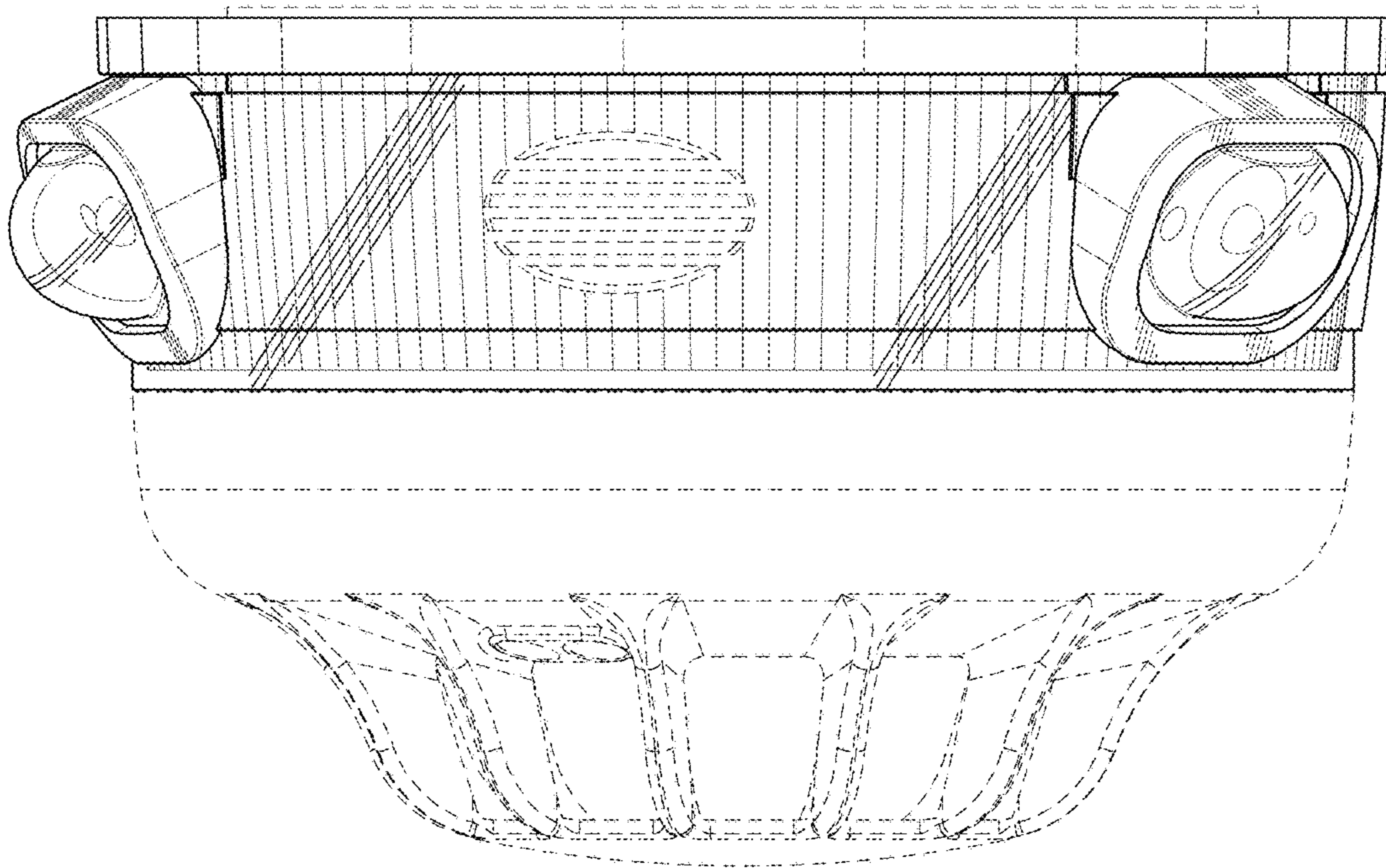


FIG. 5

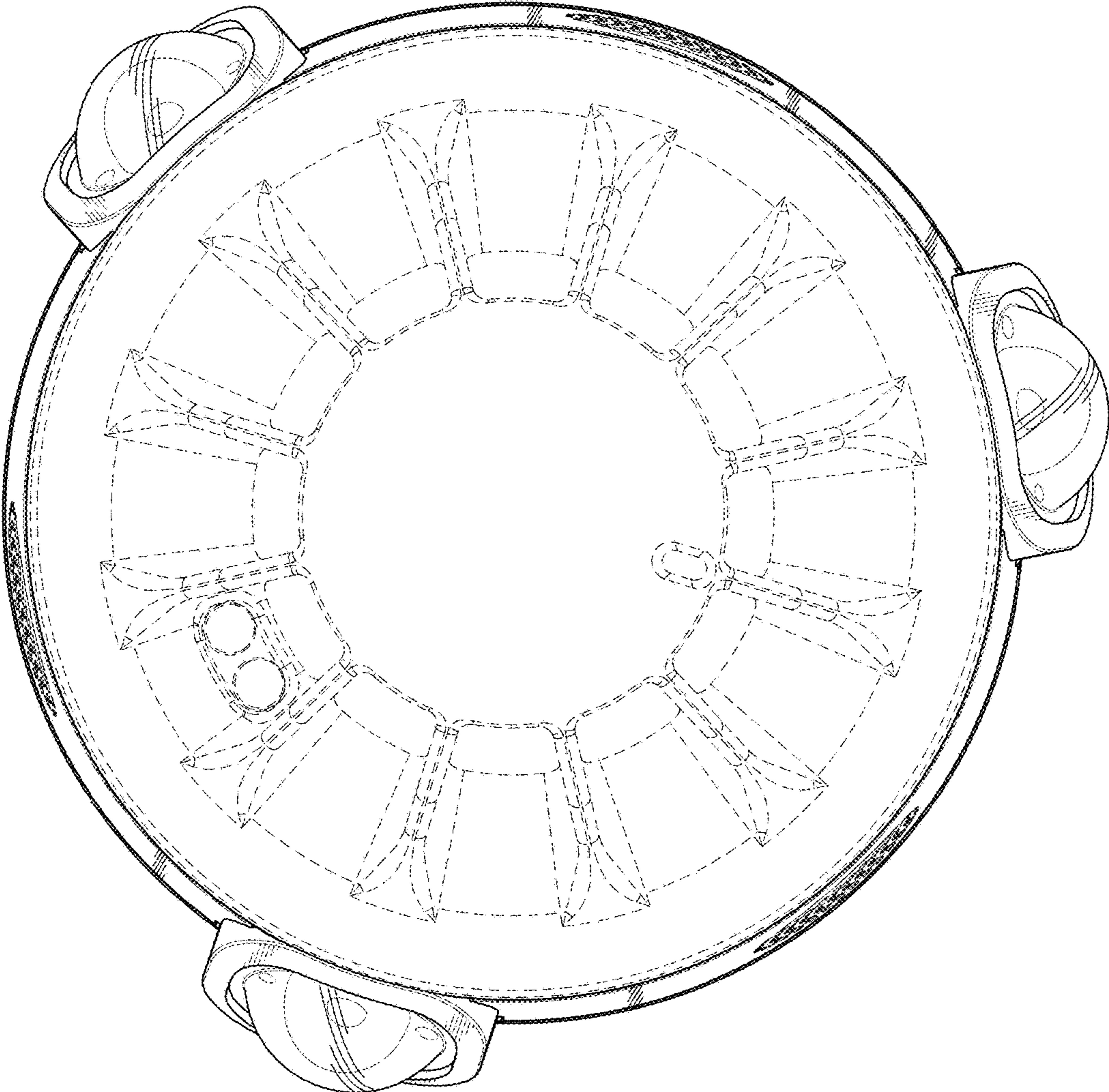


FIG. 6

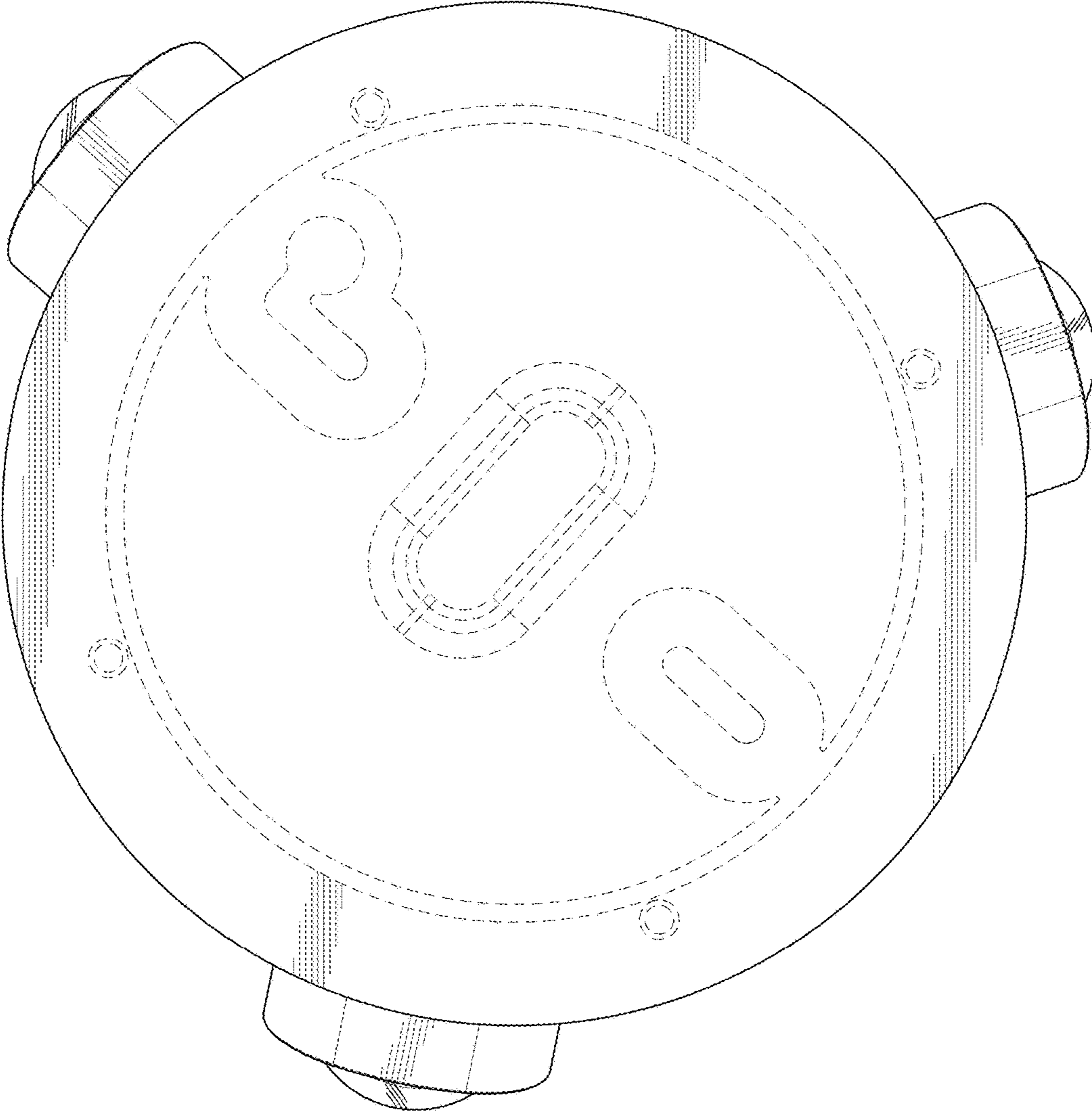


FIG. 7