



US00D830212S

(12) **United States Design Patent**  
**Holland et al.**

(10) **Patent No.:** **US D830,212 S**

(45) **Date of Patent:** **\*\* Oct. 9, 2018**

(54) **CONTROL PANEL FOR A BENCH SCALE WEIGHING DEVICE**

(71) Applicants: **Eric J. Holland**, Fairmont, MN (US);  
**Darren Waplinton**, Dudley (GB);  
**John C. Smith**, Brierley Hill (GB);  
**Cory C. Hainy**, Fairmont, MN (US)

(72) Inventors: **Eric J. Holland**, Fairmont, MN (US);  
**Darren Waplinton**, Dudley (GB);  
**John C. Smith**, Brierley Hill (GB);  
**Cory C. Hainy**, Fairmont, MN (US)

(73) Assignee: **ILLINOIS TOOL WORKS INC.**,  
Glenview, IL (US)

(\*\*) Term: **15 Years**

(21) Appl. No.: **29/559,212**

(22) Filed: **Mar. 25, 2016**

(51) **LOC (11) Cl.** ..... **10-04**

(52) **U.S. Cl.**  
USPC ..... **D10/94**

(58) **Field of Classification Search**  
USPC ..... D10/49, 91, 92, 93, 94; D13/162, 162.1,  
D13/177; D14/257, 374, 381, 382, 388,  
D14/389, 392, 396  
CPC ..... G01G 21/28; G01G 21/283; G01G 23/37  
See application file for complete search history.

(56) **References Cited**

**U.S. PATENT DOCUMENTS**

D308,346 S \* 6/1990 Nakagawa ..... D10/94  
D344,535 S \* 2/1994 Caruso ..... 177/25.16  
D357,198 S \* 4/1995 Gatley ..... D10/94  
D381,960 S \* 8/1997 Chandler ..... D10/49

(Continued)

**OTHER PUBLICATIONS**

GSE brochure, Avery Weigh-Tronix. Model 675 User Instructions, Issue A1, Sep. 2010.

*Primary Examiner* — Antoine Duval Davis

(74) *Attorney, Agent, or Firm* — Husch Blackwell LLP

(57) **CLAIM**

The ornamental design for a control panel for a bench scale weighing device, as shown and described.

**DESCRIPTION**

The file of this patent contains at least one drawing/photograph executed in color, copies of this patent with color drawing(s)/photograph(s) will be provided by the Office upon request and payment of the necessary fee.

FIG. 1 is a perspective view of a control panel for a bench scale weighing device in accordance with a first embodiment of the design;

FIG. 2 is a front view of the control panel of FIG. 1;

FIG. 3 is a top view of the control panel of FIG. 1 with the bottom view being a mirror image thereof;

FIG. 4 is a left side view of the control panel of FIG. 1;

FIG. 5 is a right side view of the control panel of FIG. 1;

FIG. 6 is another perspective view of the control panel for bench scale weighing device of FIG. 1;

FIG. 7 is a perspective view of a control panel for a bench scale weighing device in accordance with a second embodiment of the design;

FIG. 8 is a front view of the control panel of FIG. 7;

FIG. 9 is a top view of the control panel of FIG. 7 with the bottom view being a mirror image thereof;

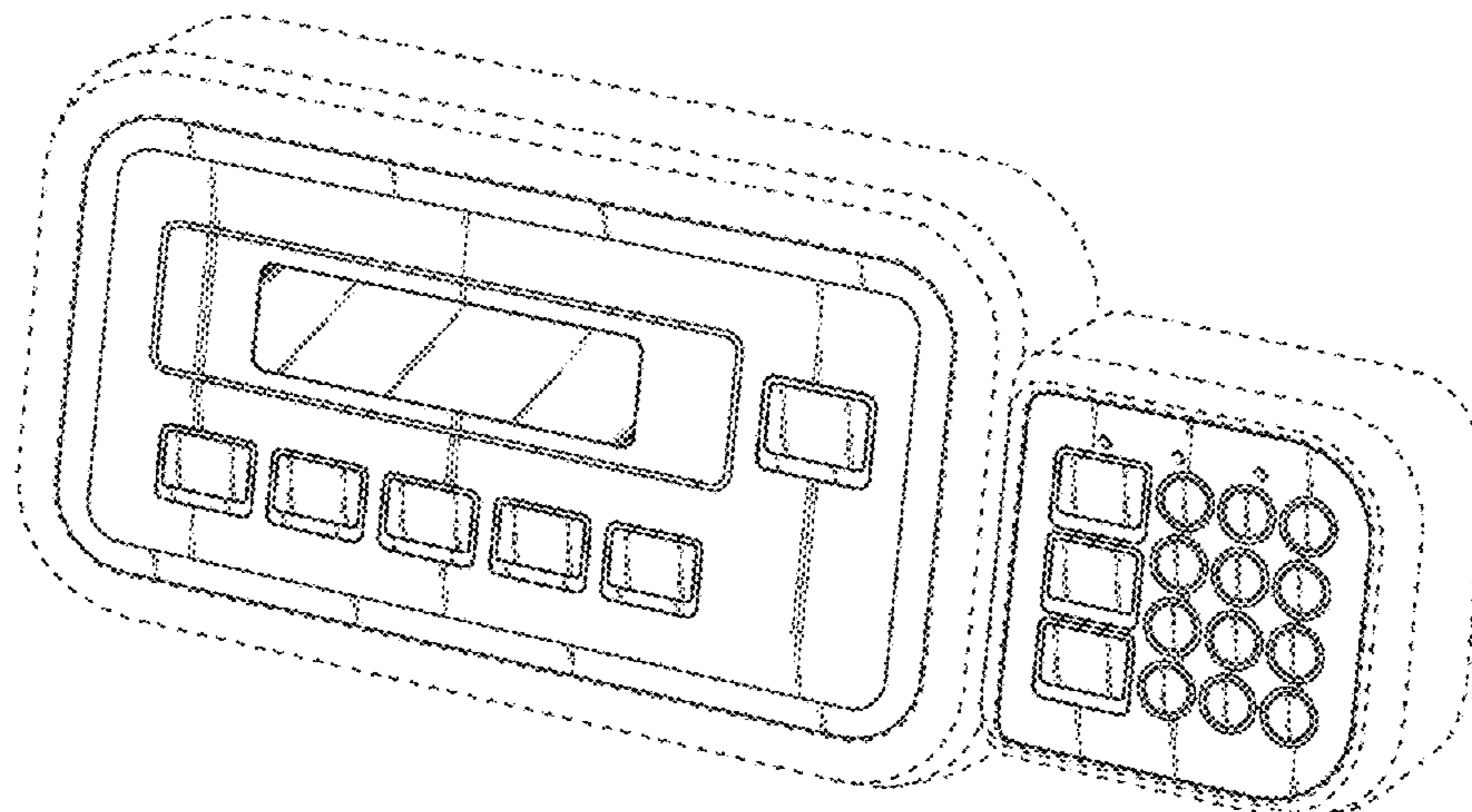
FIG. 10 is a left view of the control panel of FIG. 7;

FIG. 11 is a right view of the control panel of FIG. 7; and,

FIG. 12 is another perspective view of the control panel for bench scale weighing device of FIG. 7.

The broken lines in the drawings represent unclaimed environmental subject matter and form no part of the claim.

**1 Claim, 8 Drawing Sheets**  
**(3 of 8 Drawing Sheet(s) Filed in Color)**



(56)

**References Cited**

## U.S. PATENT DOCUMENTS

D431,482 S \* 10/2000 Marmier ..... D10/94  
6,360,124 B1 \* 3/2002 Iwabuchi ..... A61B 5/0537  
600/547  
7,002,084 B2 \* 2/2006 Cox ..... H05K 5/06  
174/50.5  
D582,308 S \* 12/2008 Kajita ..... D10/94  
7,710,714 B2 \* 5/2010 Rapp ..... G01G 21/283  
177/182  
7,795,549 B2 \* 9/2010 Hansen ..... G01G 21/283  
174/520  
D642,081 S \* 7/2011 Kashimoto ..... D10/49  
D648,641 S \* 11/2011 Wallaert ..... D10/49  
D648,642 S \* 11/2011 Wallaert ..... D10/49  
D649,073 S \* 11/2011 Baskinger ..... D10/49  
D649,484 S \* 11/2011 Domel ..... D10/94  
8,716,612 B2 \* 5/2014 Schon ..... G01G 21/28  
174/559  
9,612,151 B2 \* 4/2017 Tachibana ..... G01G 23/02  
9,752,922 B2 \* 9/2017 Monnier ..... G01G 19/4144  
9,752,923 B2 \* 9/2017 Izumo ..... G01G 23/42  
D799,997 S \* 10/2017 Jacoby ..... D10/50  
D813,067 S \* 3/2018 Holland ..... D10/94

\* cited by examiner

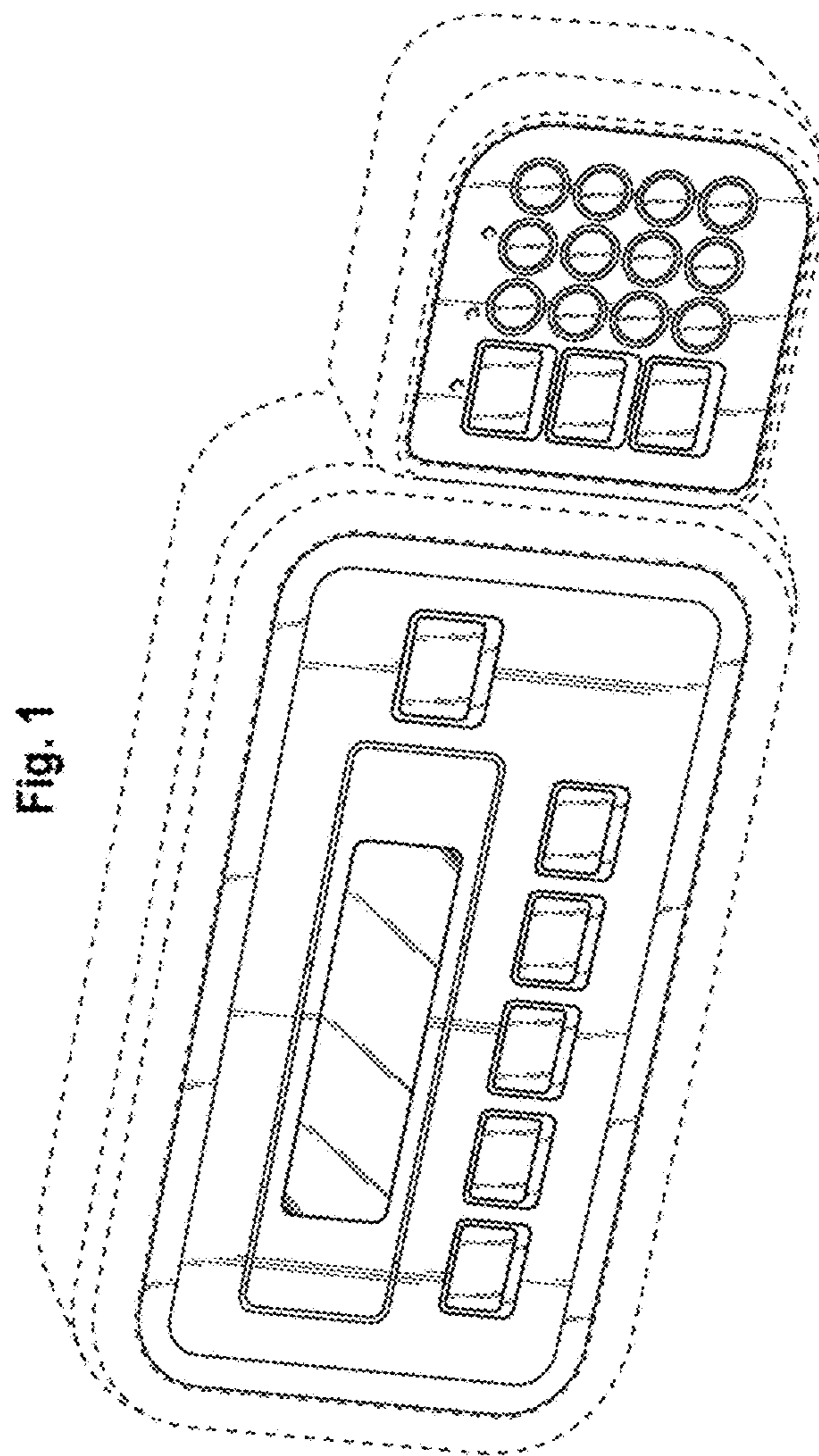


Fig. 2

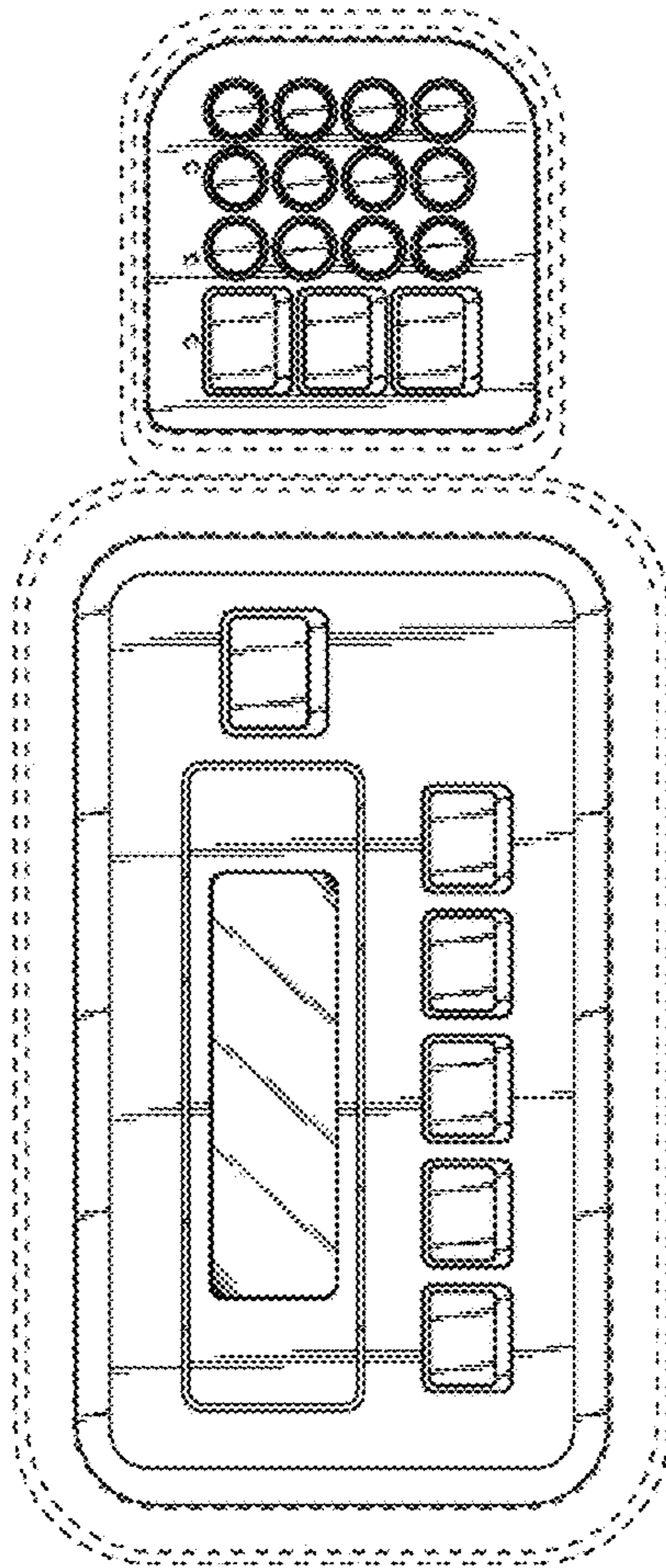


Fig. 3

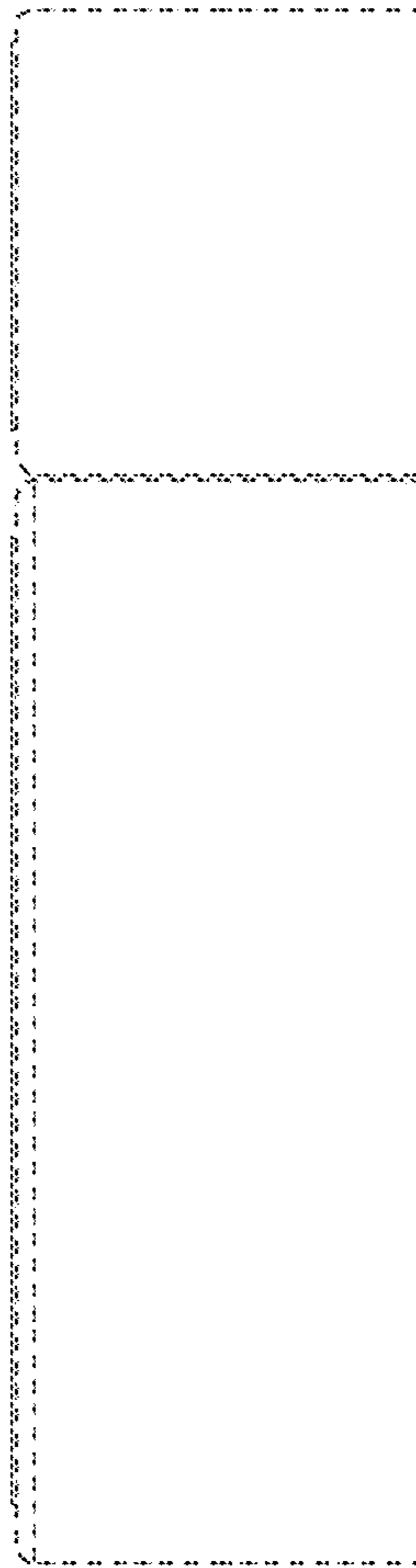


Fig. 5



Fig. 4



Fig. 6

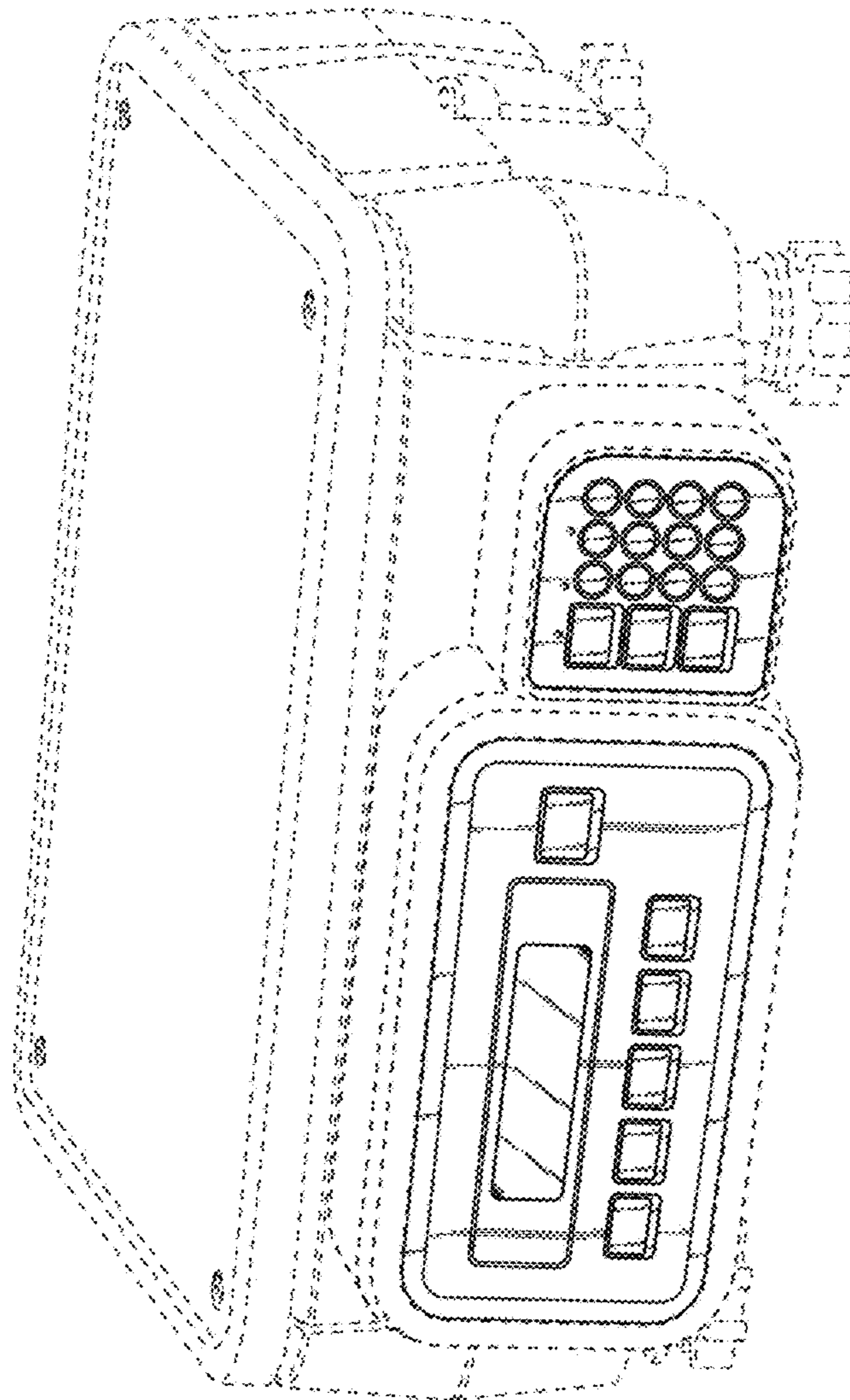
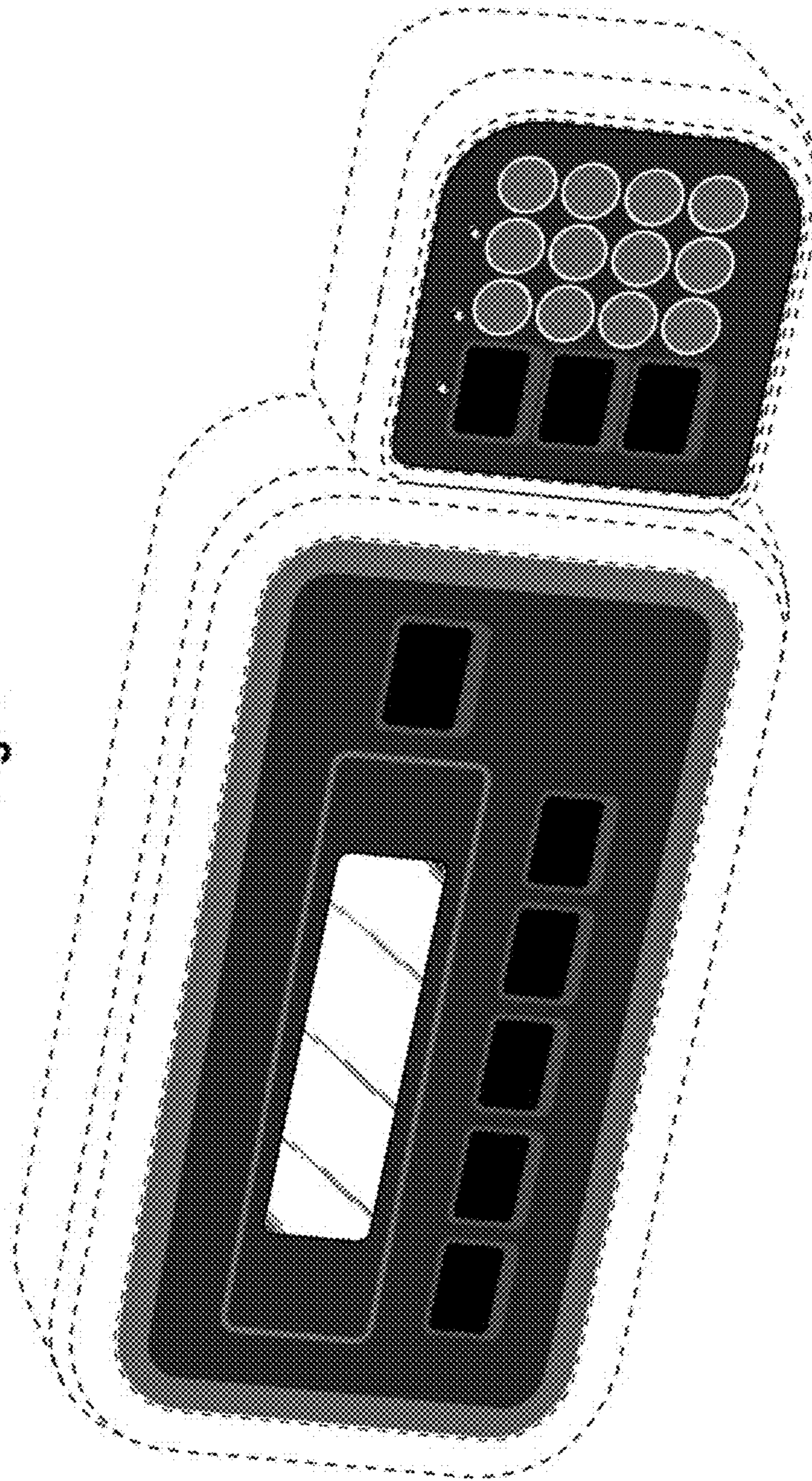


Fig. 7



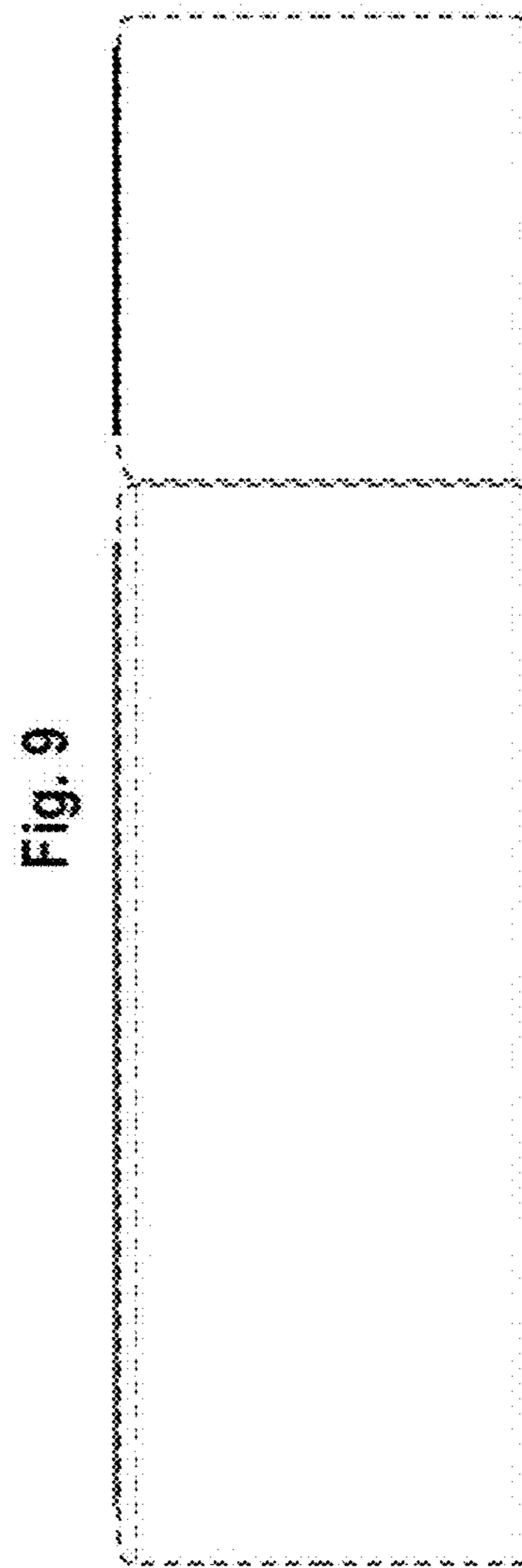
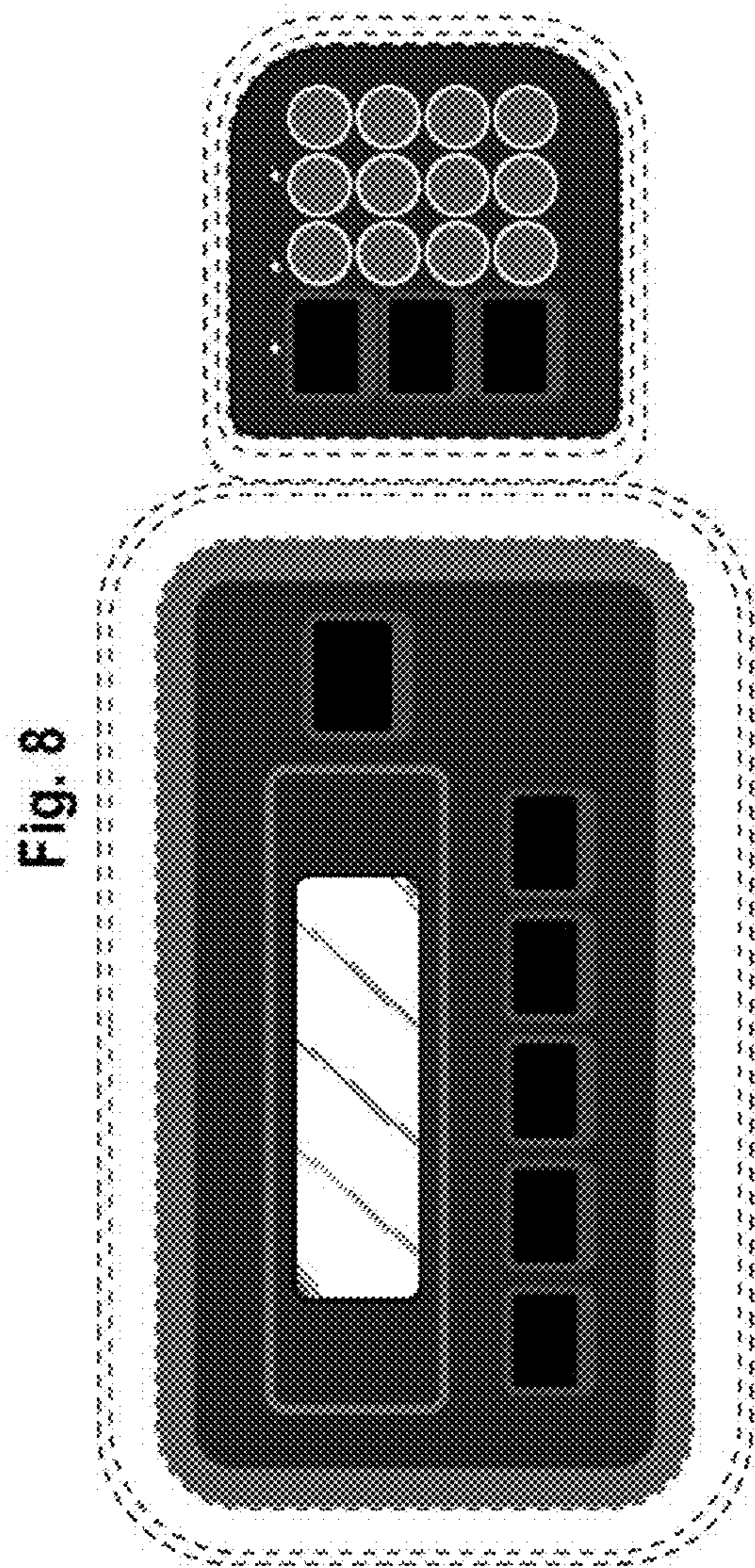




Fig. 11

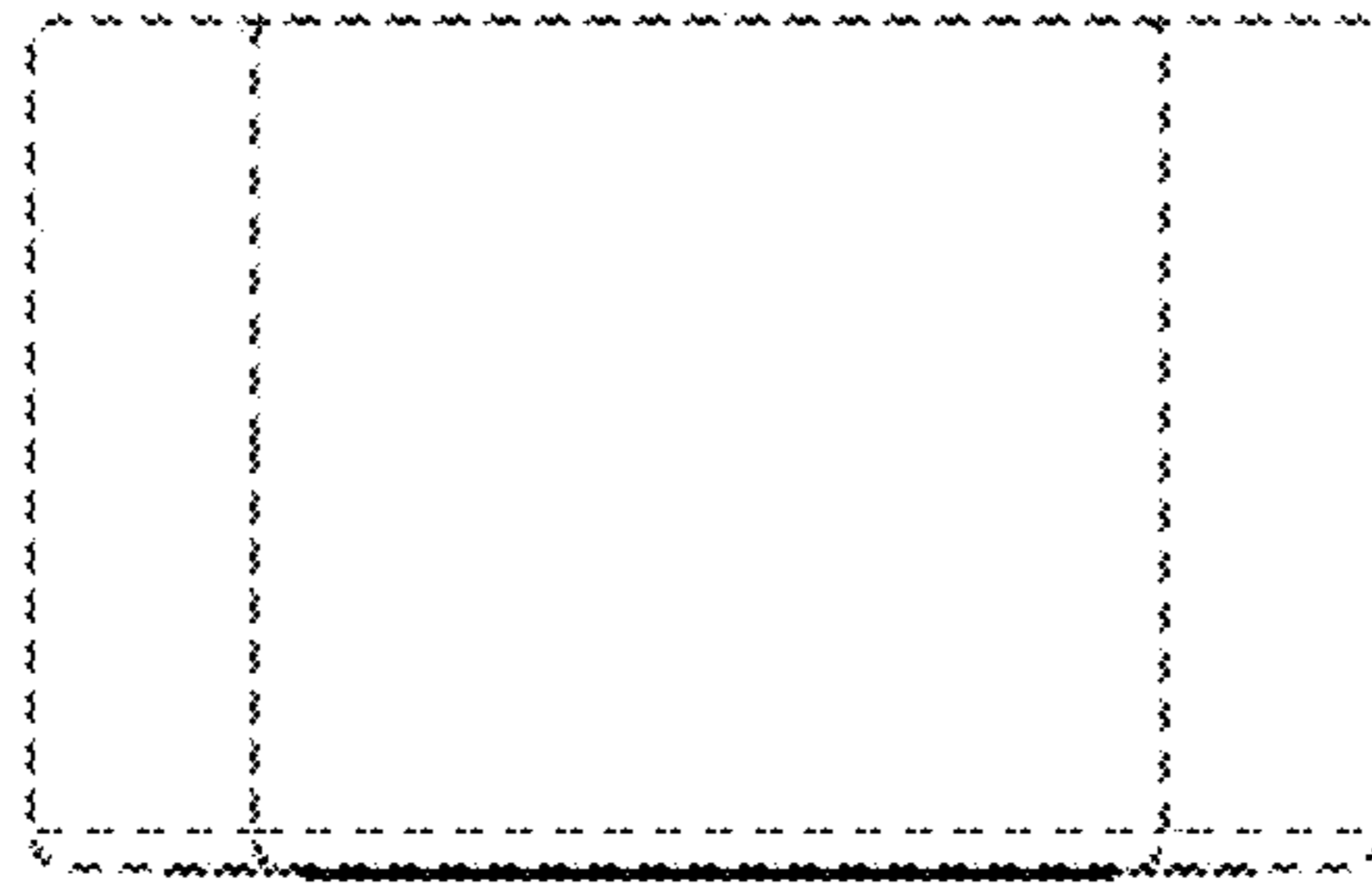


Fig. 10



Fig. 12

