



US00D830209S

(12) **United States Design Patent** (10) **Patent No.:** **US D830,209 S**
Wang (45) **Date of Patent:** **** Oct. 9, 2018**

(54) **AUTO DIAGNOSTIC TOOL**
(71) Applicant: **Yushan Wang**, Guangdong (CN)
(72) Inventor: **Yushan Wang**, Guangdong (CN)

(**) Term: **15 Years**

(21) Appl. No.: **29/631,342**

(22) Filed: **Dec. 29, 2017**

(30) **Foreign Application Priority Data**

Dec. 25, 2017 (CN) 2017 3 0667716

(51) **LOC (11) Cl.** **10-04**

(52) **U.S. Cl.**
USPC **D10/78**

(58) **Field of Classification Search**

USPC D10/78

CPC G01L 19/08; G01L 19/083; G01L 19/086;
G01L 19/10; G01L 19/12; G01L 19/14;
G01L 19/141; G01L 19/142; G01L
19/143; G01L 19/144; G01L 19/45; G01L
19/146; G01L 19/147; G01L 19/148;
G01L 19/149; G01L 19/16; G07C 5/00;
G07C 5/002; G07C 5/004; G07C 5/006;
G07C 5/008; G07C 5/02; G07C 5/04;
G07C 5/06; G07C 5/08; G07C 5/0808;
G07C 5/0816; G07C 5/0825; G07C
5/0833; G07C 5/0841; G07C 5/085;
G07C 5/0858; G07C 5/0866; G07C
5/0875; G07C 5/0883; G07C 5/0891;
G07C 5/10

See application file for complete search history.

(56) **References Cited**

U.S. PATENT DOCUMENTS

6,693,367 B1 * 2/2004 Schmeisser G01M 15/05
307/9.1
D579,361 S * 10/2008 Wen D10/78
7,859,853 B2 * 12/2010 Schmeisser G06F 1/1626
361/752
7,928,837 B2 * 4/2011 Drew G01C 21/00
340/438
8,339,254 B2 * 12/2012 Drew B60K 35/00
340/438
D718,645 S * 12/2014 Disch D10/78
9,553,471 B2 * 1/2017 Chinnadurai B25H 3/00

* cited by examiner

Primary Examiner — Antoine Duval Davis

(57) **CLAIM**

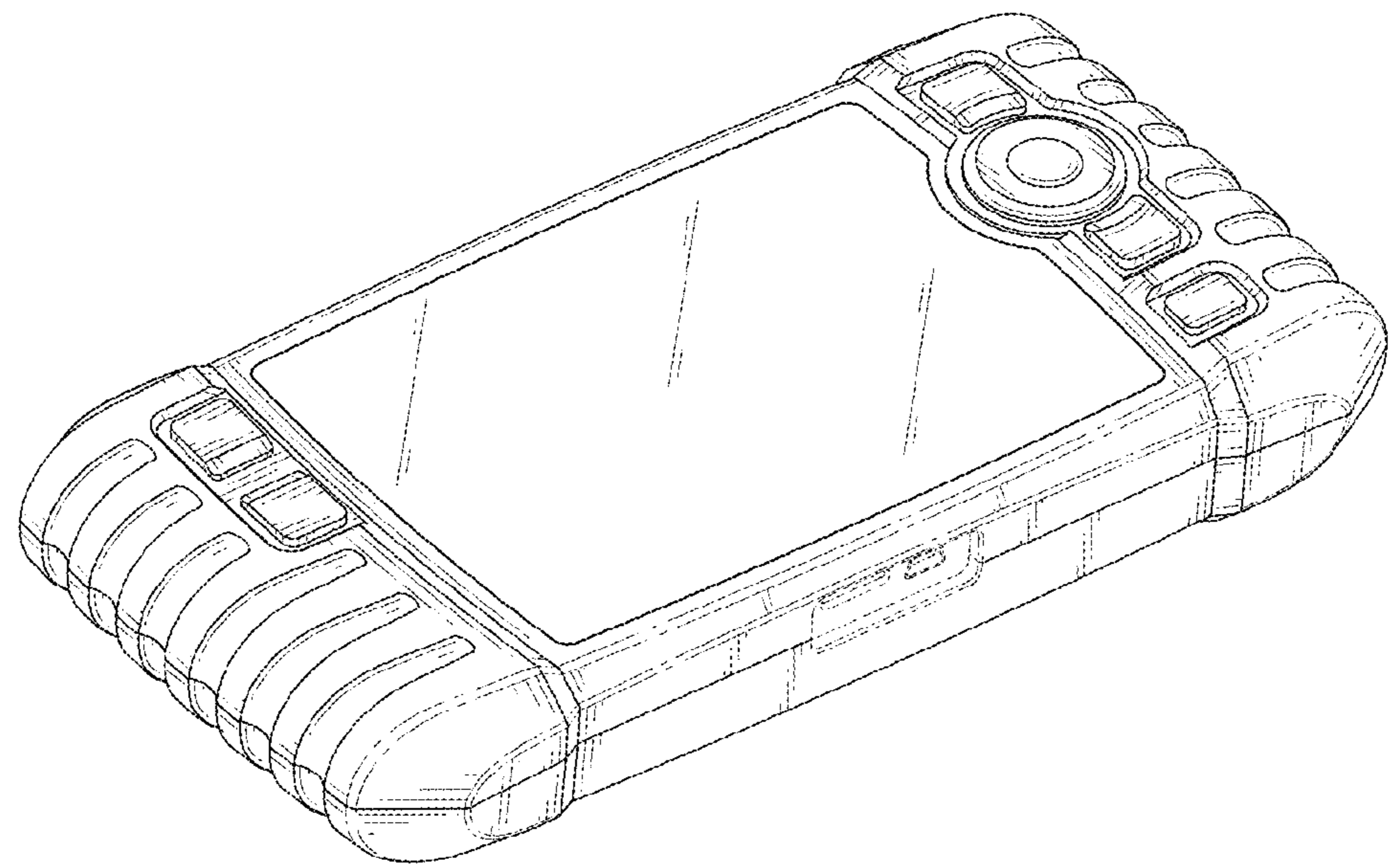
The ornamental design for an auto diagnostic tool, as shown and described.

DESCRIPTION

FIG. 1 is a front elevational view of an auto diagnostic tool showing my new design;
FIG. 2 is a rear elevational view thereof;
FIG. 3 is a right side view thereof;
FIG. 4 is a left side view thereof;
FIG. 5 is a bottom plan view thereof;
FIG. 6 is a top plan view thereof; and,
FIG. 7 is a perspective view thereof.

The broken lines in the drawings illustrate portions of the auto diagnostic tool which form no part of the claimed design. The diagonal lines in the drawings represent reflective surfaces.

1 Claim, 7 Drawing Sheets



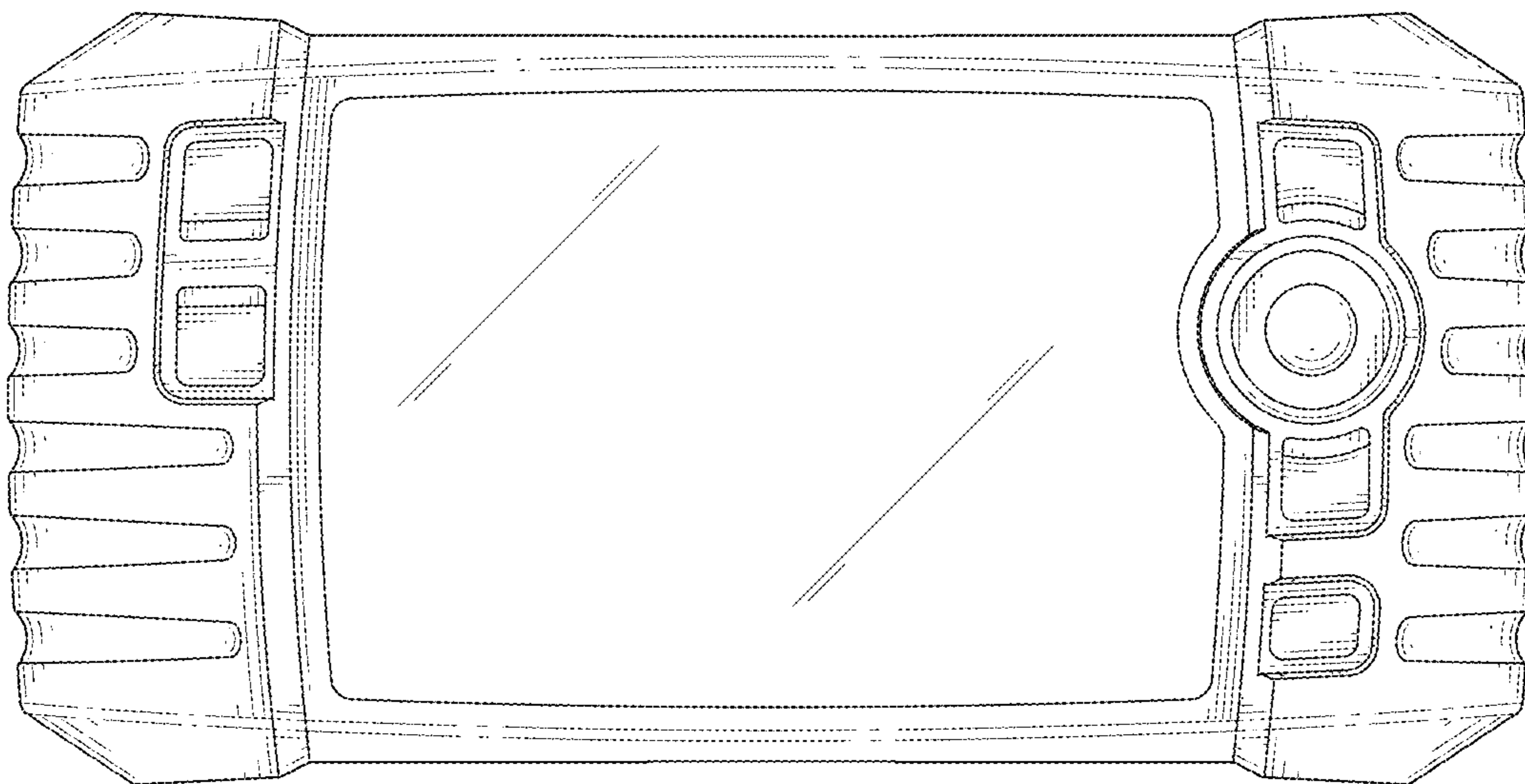


FIG. 1

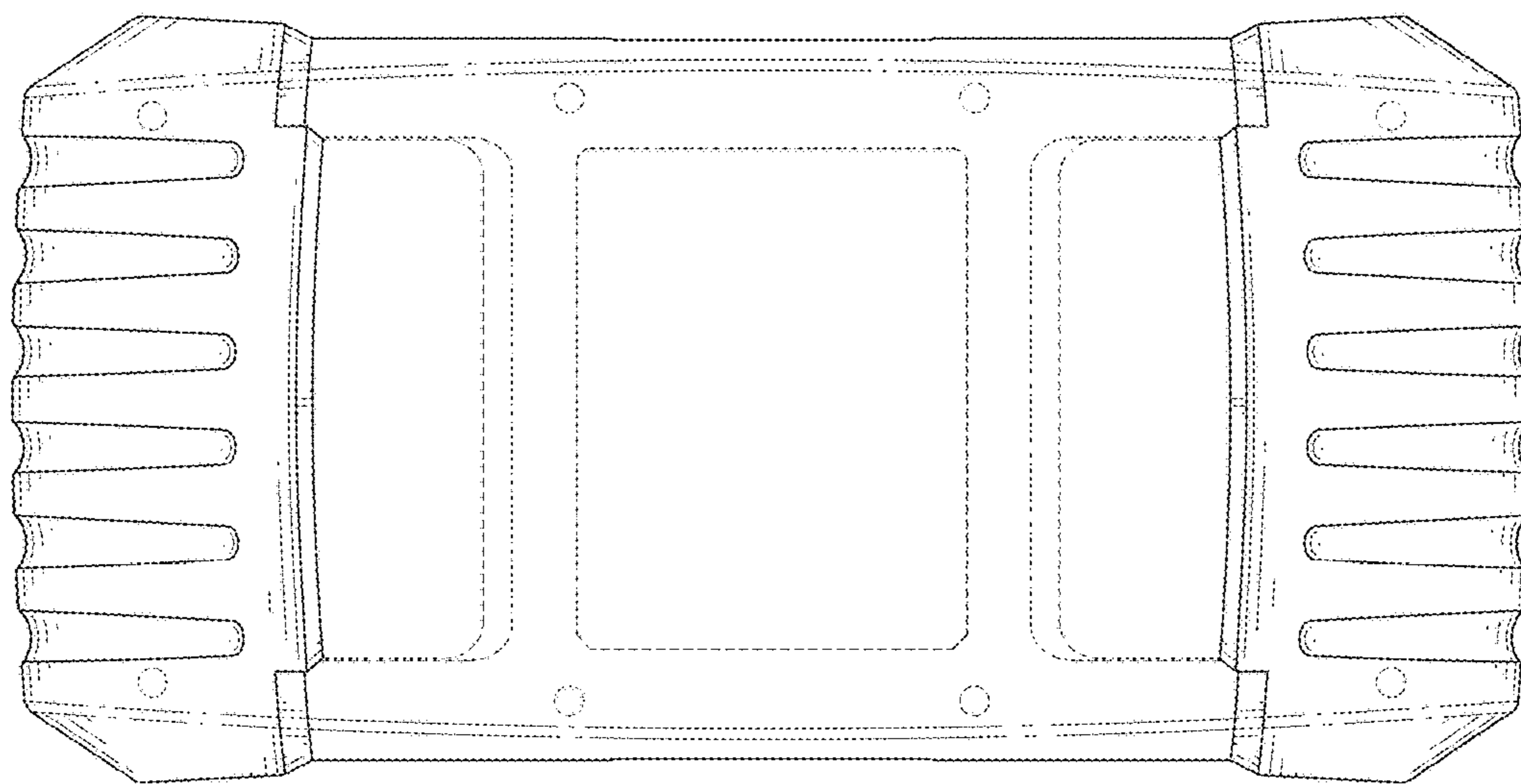


FIG. 2

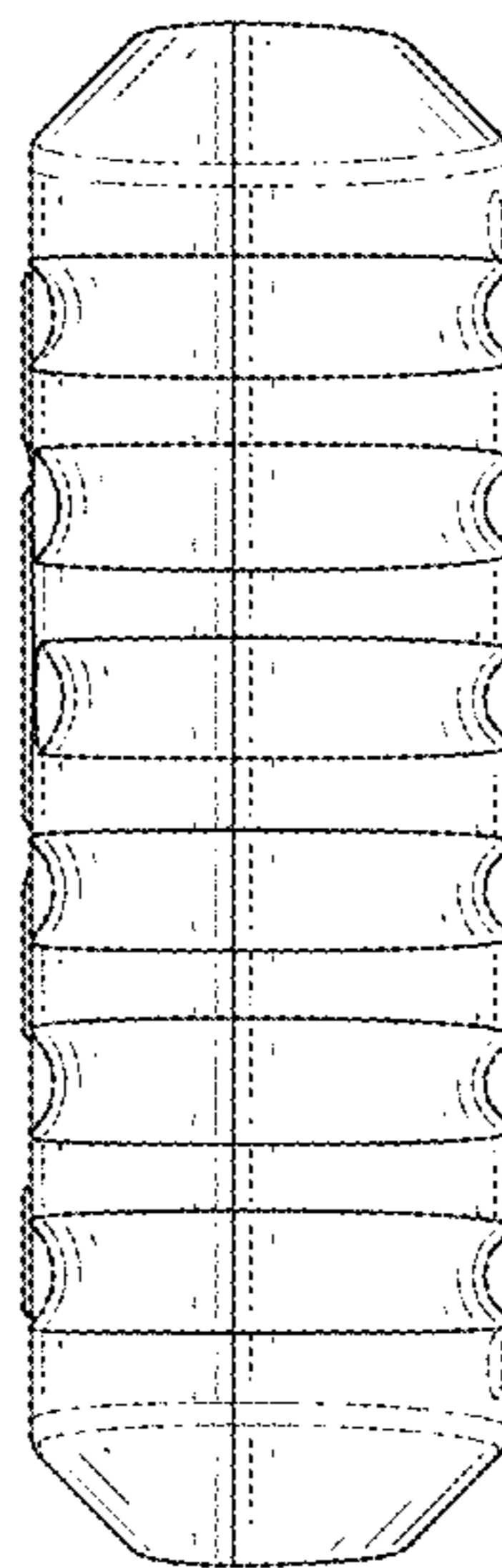


FIG. 3

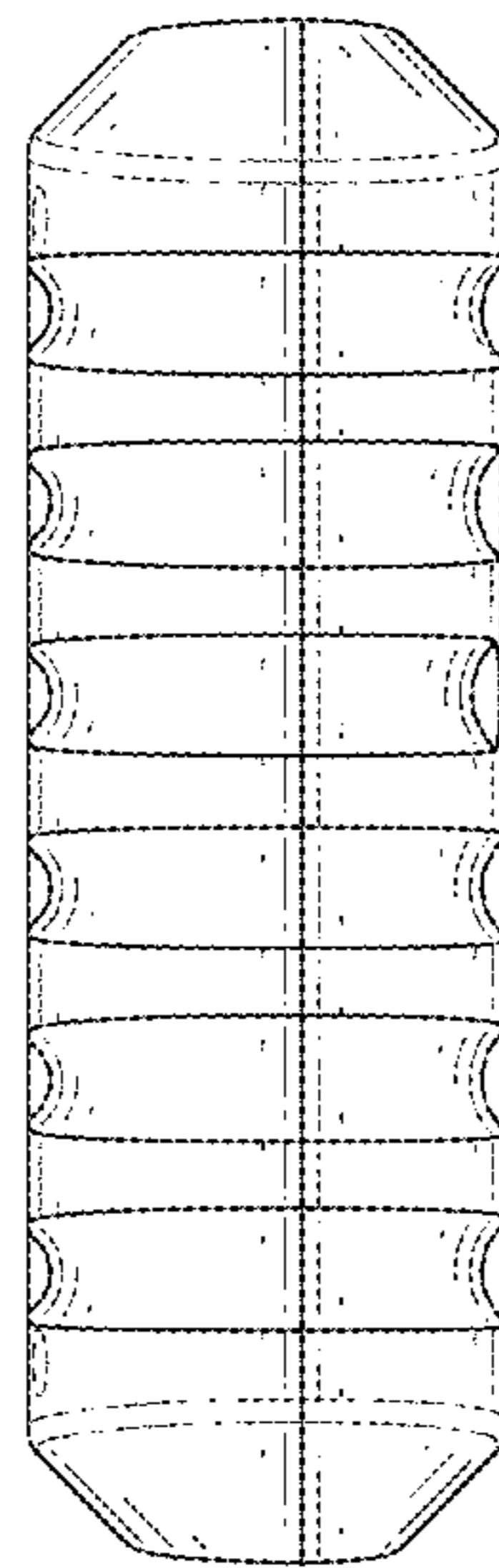


FIG. 4

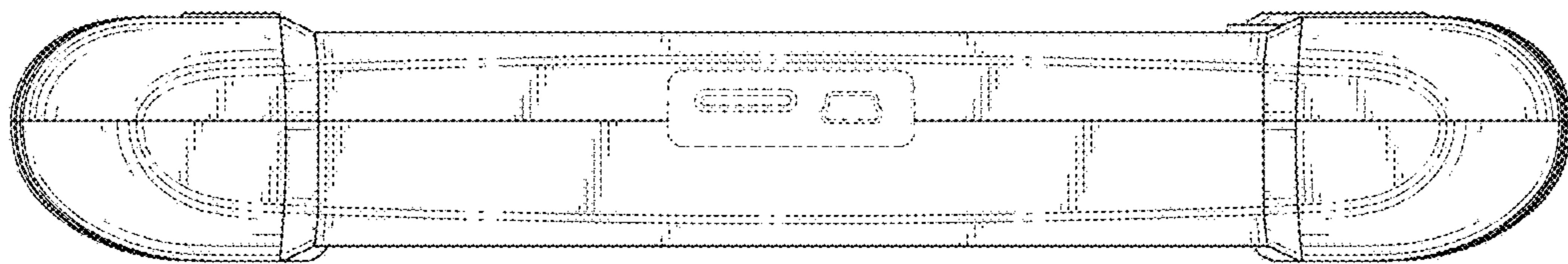


FIG. 5

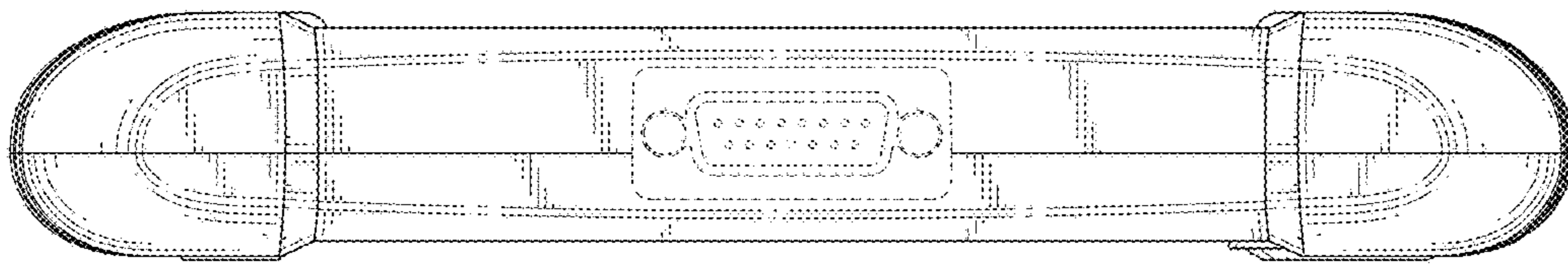


FIG. 6

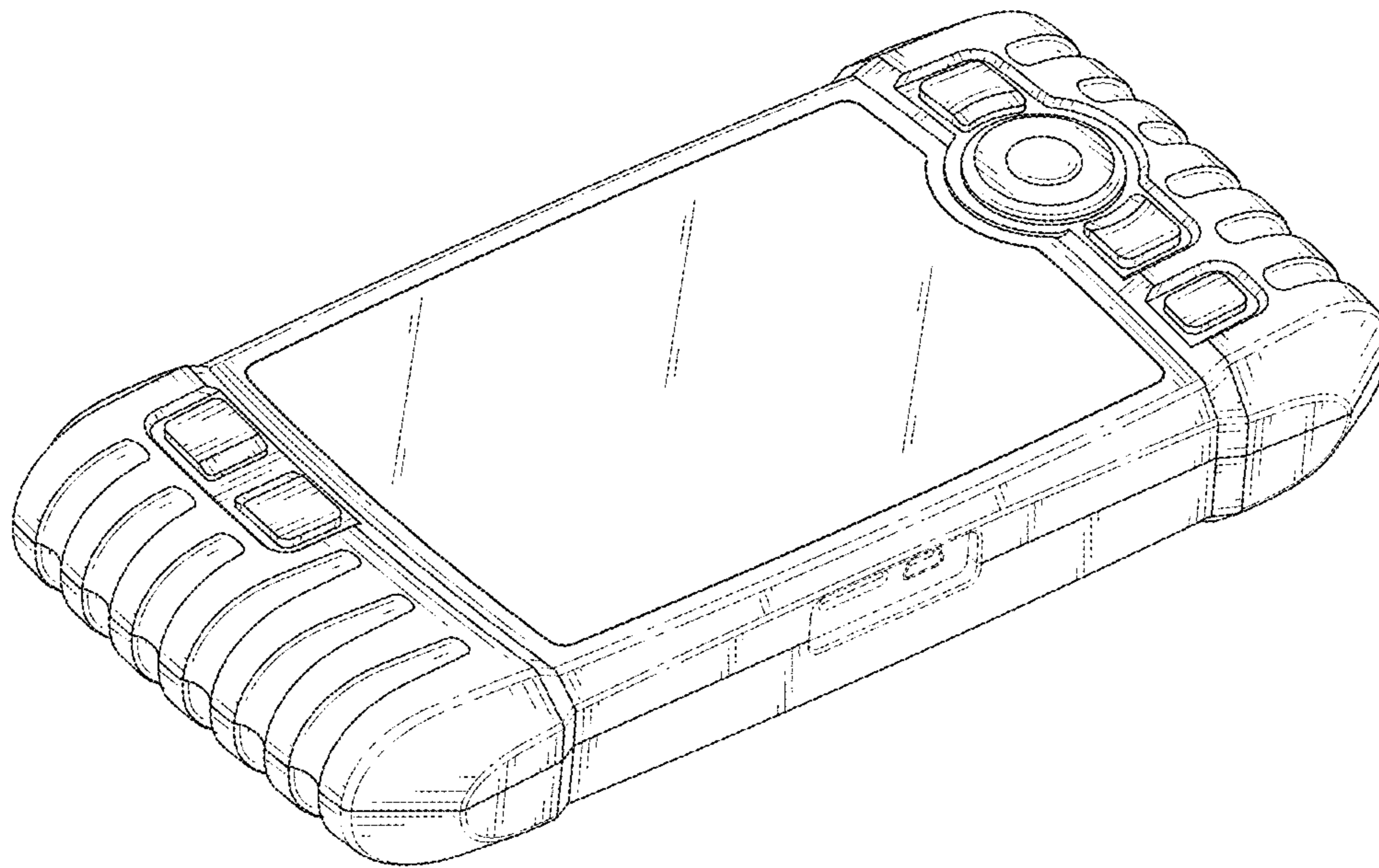


FIG. 7