



US00D830208S

(12) **United States Design Patent** (10) **Patent No.:** **US D830,208 S**  
**Makino** (45) **Date of Patent:** **\*\* Oct. 9, 2018**

(54) **PROBE**

(71) Applicant: **SINTOKOGIO, LTD.**, Nagoya-shi, Aichi (JP)

(72) Inventor: **Yoshiyasu Makino**, Toyokawa (JP)

(73) Assignee: **SINTOKOGIO, LTD.** (JP)

(\*\*) Term: **15 Years**

(21) Appl. No.: **29/598,346**

(22) Filed: **Mar. 24, 2017**

(30) **Foreign Application Priority Data**

Oct. 3, 2016 (JP) ..... 2016-021518

(51) **LOC (11) Cl.** ..... **10-04**

(52) **U.S. Cl.**  
USPC ..... **D10/78**

(58) **Field of Classification Search**  
USPC ..... D10/46, 75, 78, 78.8, 100; D13/107;  
D14/128, 221, 225, 231, 388, 434;  
D15/199  
CPC ..... G01N 27/82; G01N 27/83; G01N 27/87;  
G01N 27/90; G01N 27/9033; G01N  
27/9026; G01N 27/902; G01N 27/9006;  
G01N 27/9013  
See application file for complete search history.

(56) **References Cited**

**U.S. PATENT DOCUMENTS**

D431,867 S \* 10/2000 Maynard ..... D24/216  
D450,000 S \* 11/2001 Van ..... D10/46  
D571,831 S \* 6/2008 Ota ..... D15/138

D744,360 S \* 12/2015 Makino ..... D10/78  
D808,901 S \* 1/2018 Kelly ..... D13/107  
2013/0314084 A1\* 11/2013 Lee ..... G01N 27/82  
324/251

**FOREIGN PATENT DOCUMENTS**

WO WO-9116638 A1 \* 10/1991 ..... B82Y 15/00

\* cited by examiner

*Primary Examiner* — Garth Rademaker

*Assistant Examiner* — Fritzgerald L Butac

(74) *Attorney, Agent, or Firm* — Saidman DesignLaw Group, LLC

(57) **CLAIM**

The ornamental design for a probe, as shown and described.

**DESCRIPTION**

FIG. 1 is a perspective view of a probe showing my new design;  
FIG. 2 is a front view thereof, the rear view being a mirror image thereof;  
FIG. 3 is a left side view thereof;  
FIG. 4 is a right side view thereof;  
FIG. 5 is a top plan view thereof; and,  
FIG. 6 is a bottom plan side view thereof.  
The drawings include surface shading which represents contour and not surface ornamentation.  
The parallel dash-dot-dash broken lines represent a symbolic break in the length of an element of the probe and form no part of the claimed design.  
The appearance of any portion of the probe between the break lines forms no part of the claimed design.

**1 Claim, 3 Drawing Sheets**

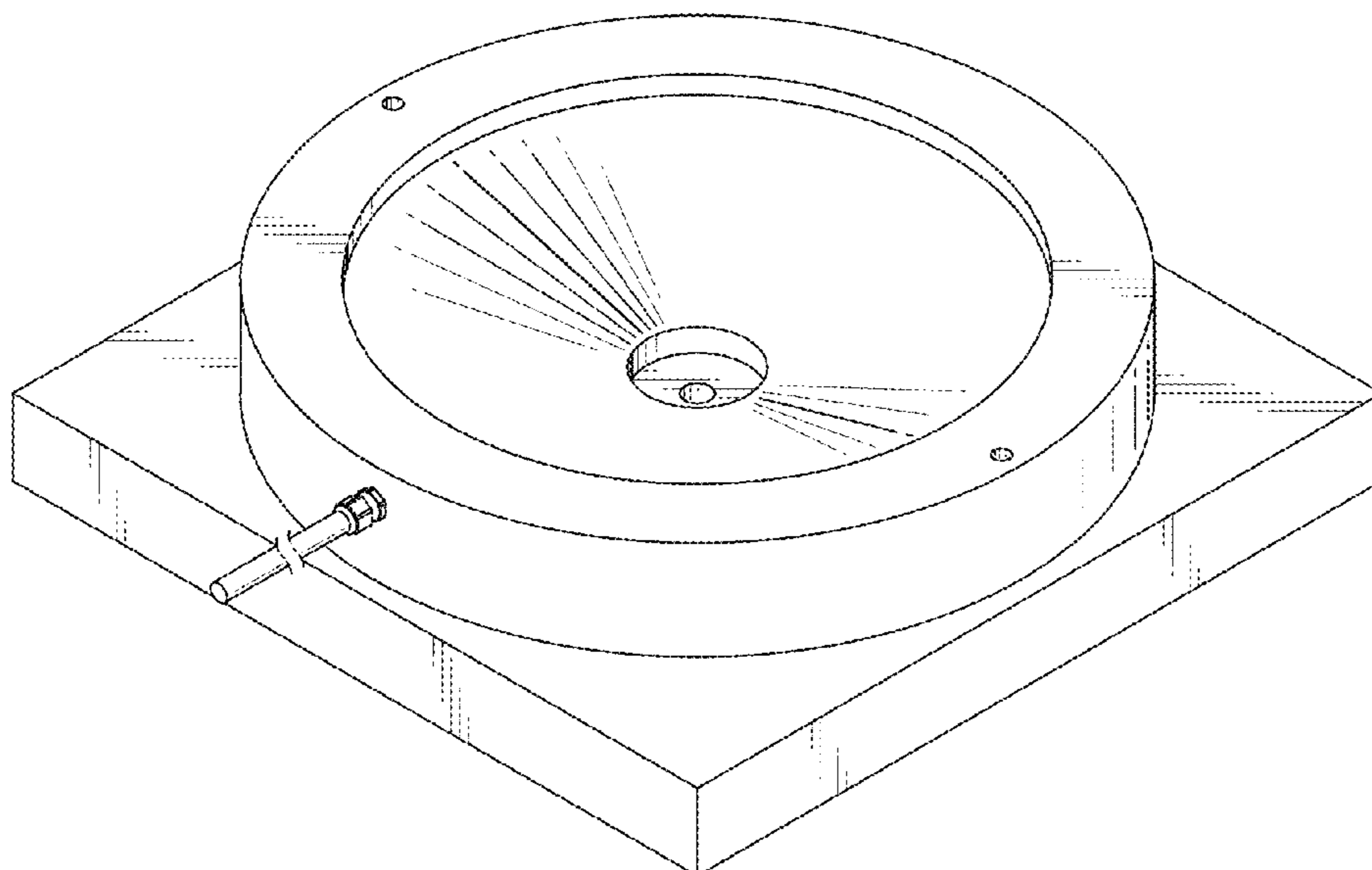


FIG.1

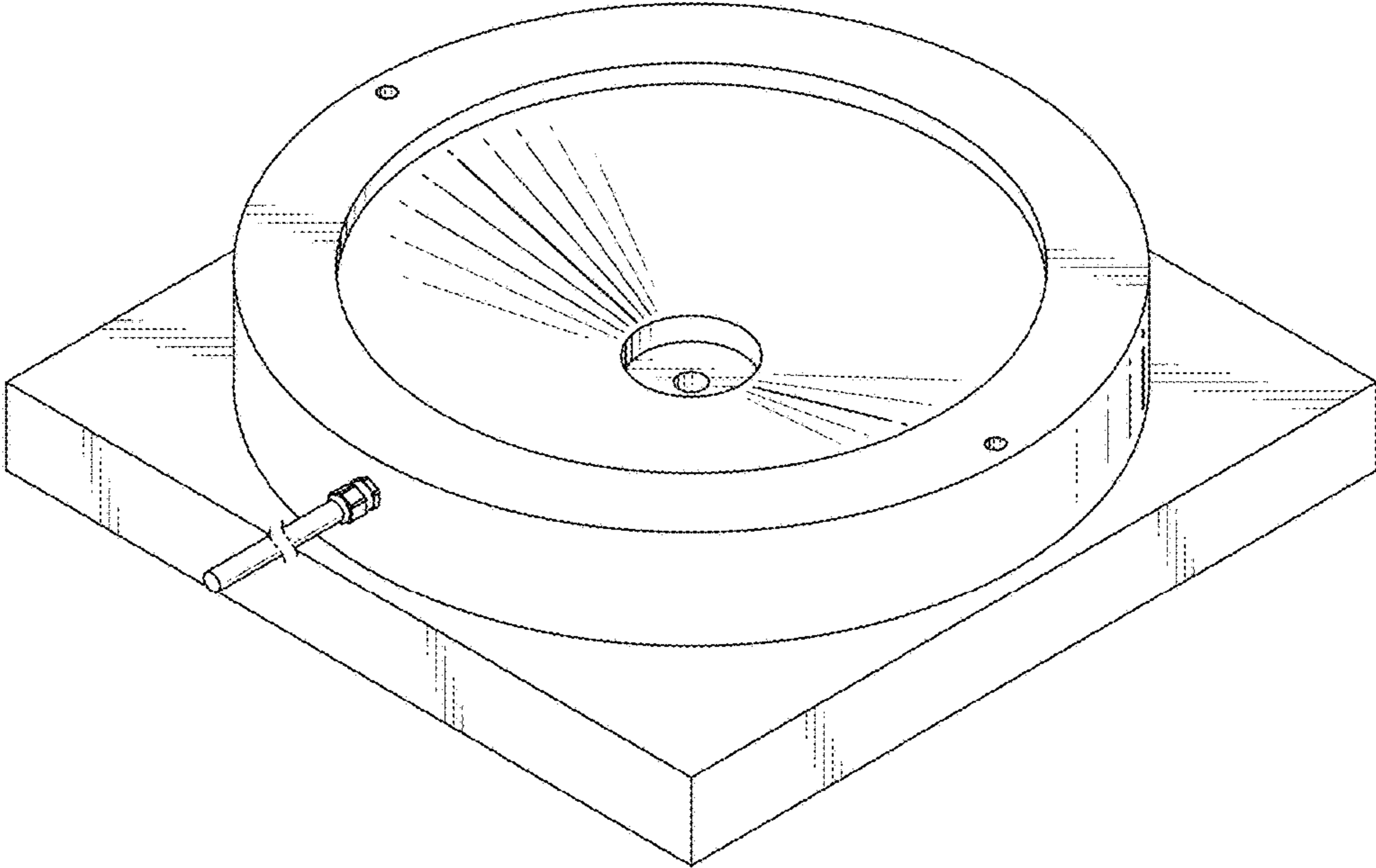


FIG.2

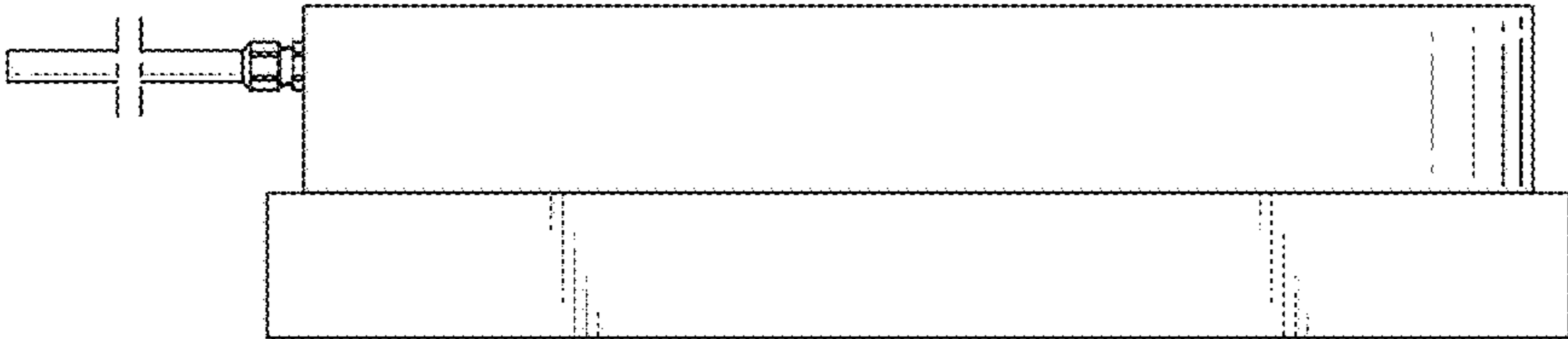


FIG.3

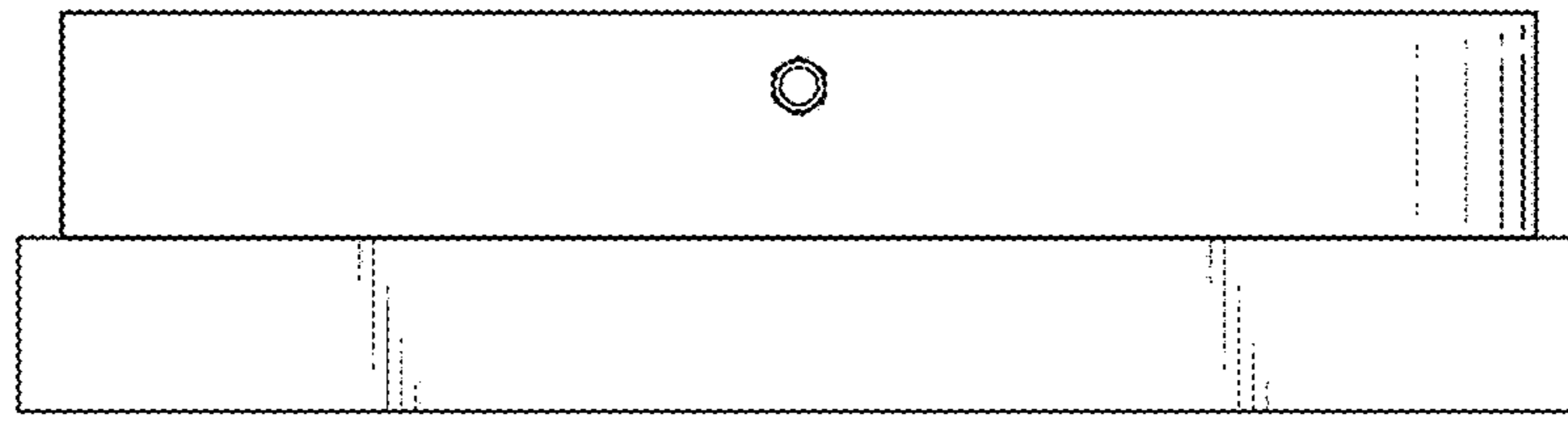


FIG.4

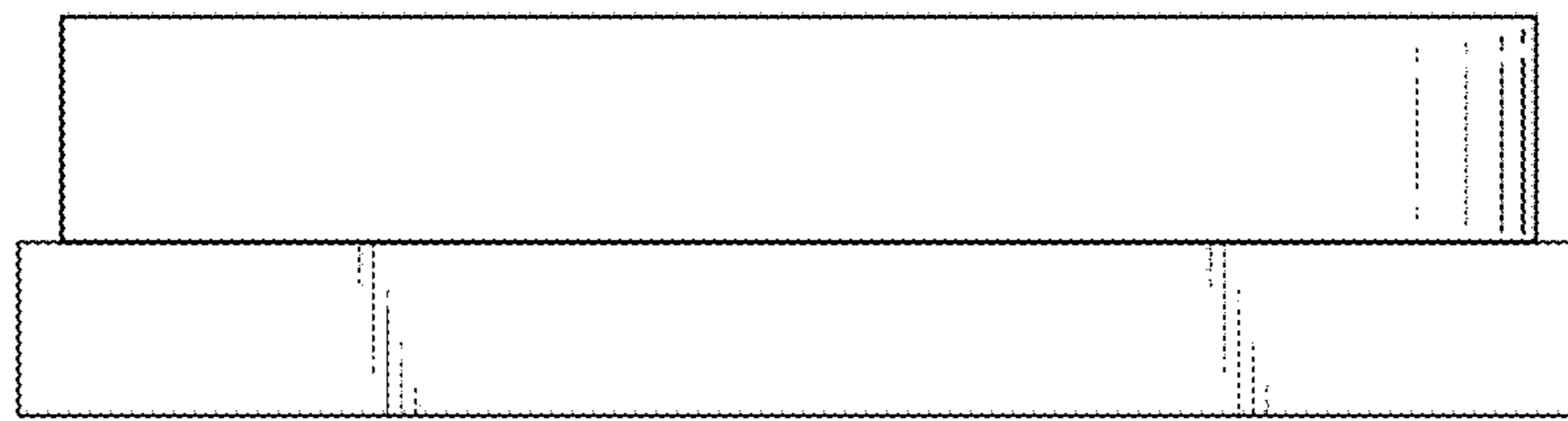


FIG.5

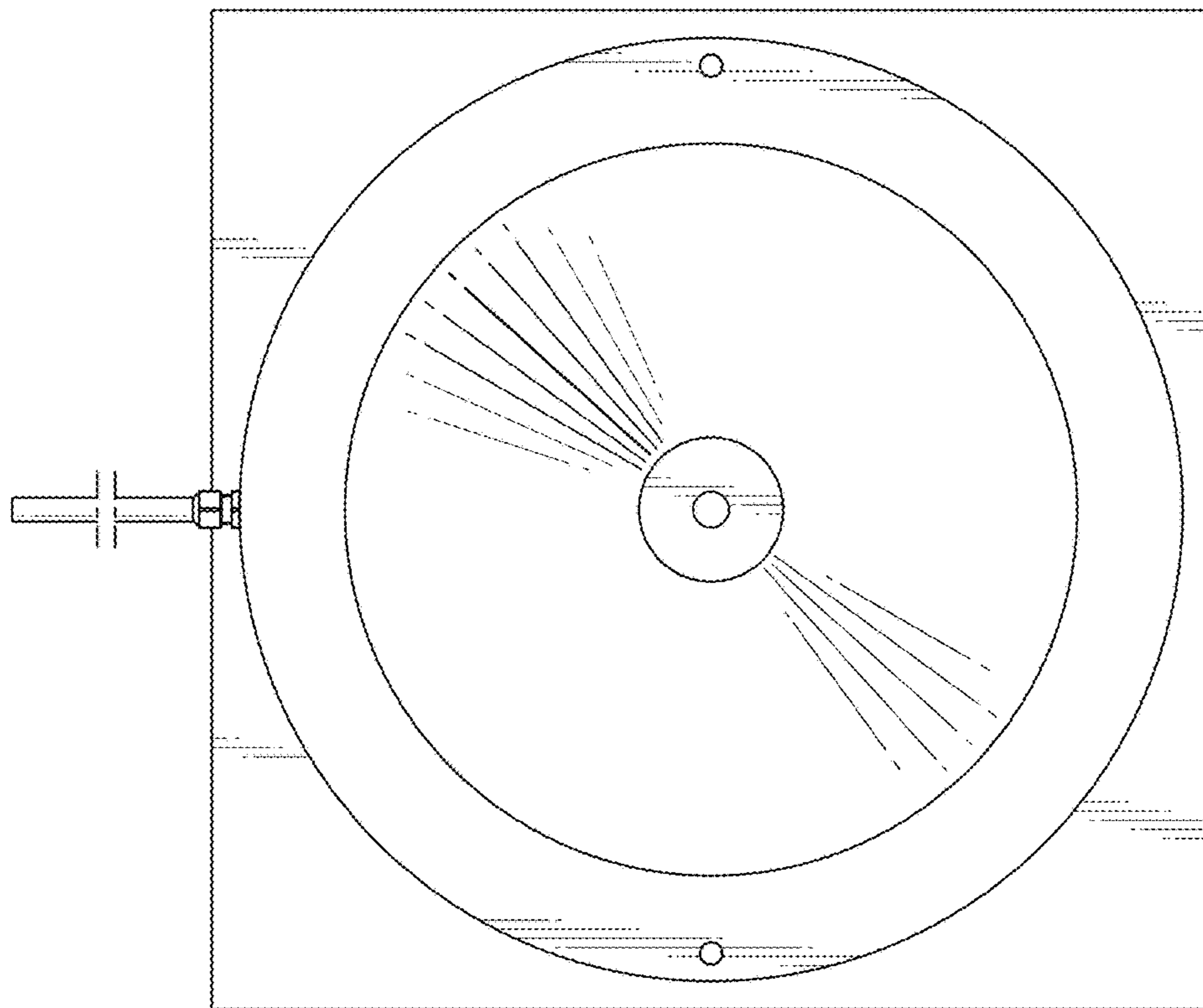


FIG.6

