



US00D830207S

(12) **United States Design Patent** (10) **Patent No.:** **US D830,207 S**
Macor (45) **Date of Patent:** **** Oct. 9, 2018**

(54) **SECTION OF A CARPENTER LEVEL**

(71) Applicant: **Richard J. Macor**, Hunterdon County, NJ (US)
 (72) Inventor: **Richard J. Macor**, Hunterdon County, NJ (US)
 (73) Assignee: **Proprietary Technologies, Inc.**, Easton, PA (US)
 (**) Term: **15 Years**

(21) Appl. No.: **29/620,705**

(22) Filed: **May 1, 2017**

(51) **LOC (11) Cl.** **10-04**

(52) **U.S. Cl.**
USPC **D10/74**

(58) **Field of Classification Search**

USPC D10/69, 74
 CPC . G01C 9/00; G01C 9/005; G01C 9/02; G01C 9/04; G01C 9/06; G01C 9/08; G01C 9/10; G01C 9/12; G01C 9/14; G01C 9/16; G01C 9/18; G01C 9/20; G01C 9/22; G01C 9/24; G01C 9/26; G01C 9/28; G01C 9/30; G01C 9/32; G01C 9/34; G01C 9/36; G01C 2009/005; G01C 2009/062; G01C 2009/064; G01C 2009/066; G01C 2009/068; G01C 2009/102; G01C 2009/105; G01C 2009/107; G01C 2009/182; G01C 2009/185; G01C 2009/187

See application file for complete search history.

(56) **References Cited**

U.S. PATENT DOCUMENTS

D315,521 S * 3/1991 Greenland D10/69
 D364,104 S * 11/1995 Johnson D10/69

* cited by examiner

Primary Examiner — Antoine Duval Davis

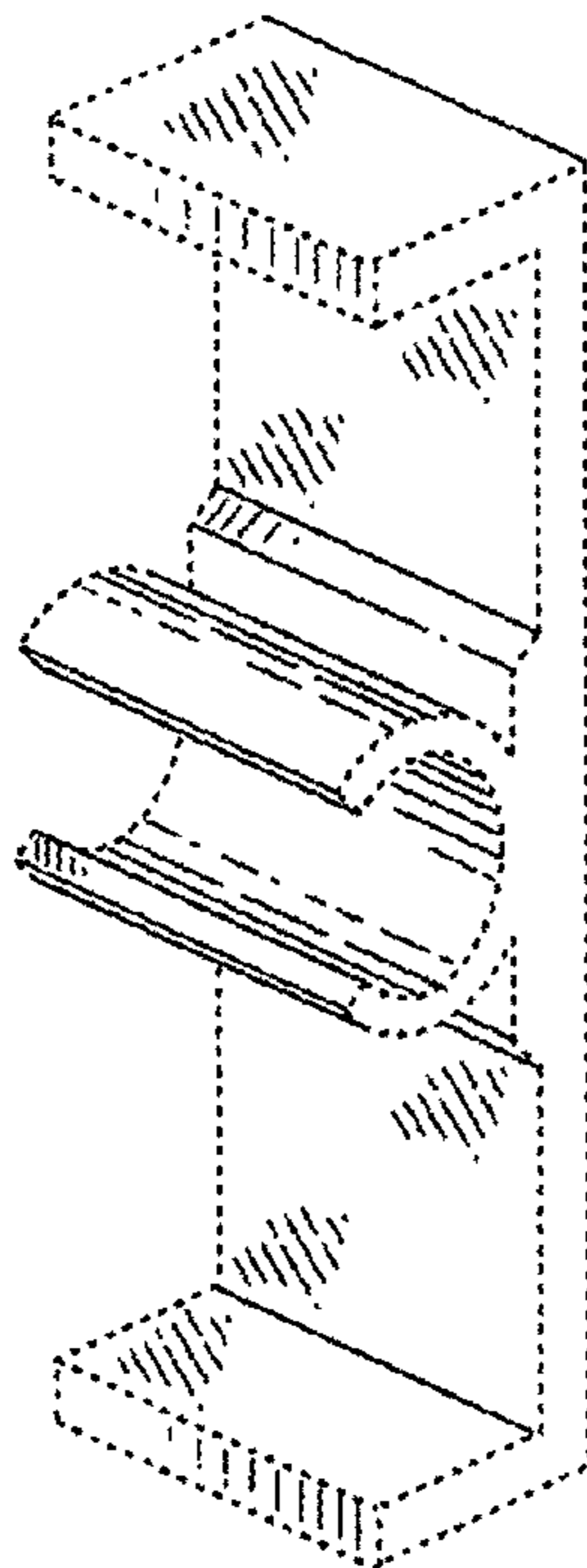
(57) **CLAIM**

The ornamental design for an section of a carpenter level, as shown and described.

DESCRIPTION

FIG. 1 is a right front perspective elevation view of a section of a carpenter level showing my new design;
 FIG. 2 is a front elevation view thereof;
 FIG. 3 is a left side elevation view thereof;
 FIG. 4 shows another front elevation view thereof (also shown in FIG. 1) applied to a partial section of a carpenter level; and,
 FIG. 5 shows another front elevation view thereof (also shown in FIG. 1) applied to a partial section of a carpenter level.
 The right side of the section of a carpenter level is a mirror image of the left side shown in FIG. 3.
 The top of the section of a carpenter level forms no part of the claimed design.
 The bottom of the section of a carpenter level forms no part of the claimed design.
 The rear of the section of a carpenter level forms no part of the claimed design.
 The broken line disclosure shown in FIGS. 1-5 define the boundaries of the claimed subject matter, but form no part of it.

1 Claim, 2 Drawing Sheets



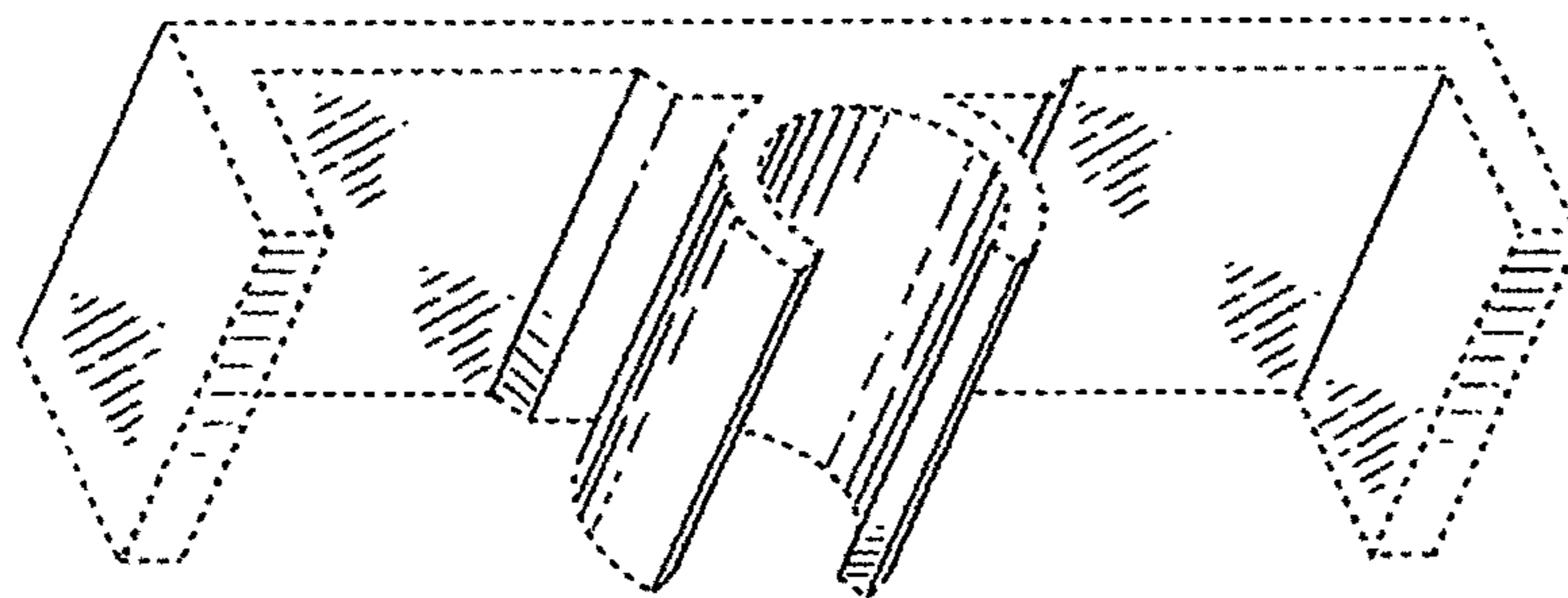


FIG. 1

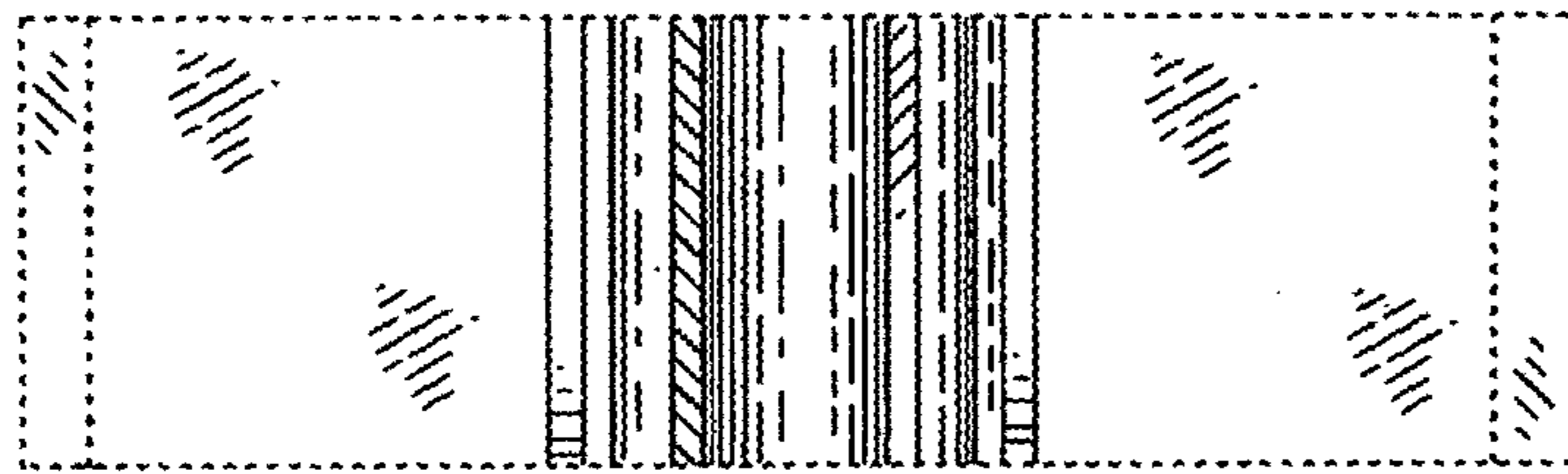


FIG. 2

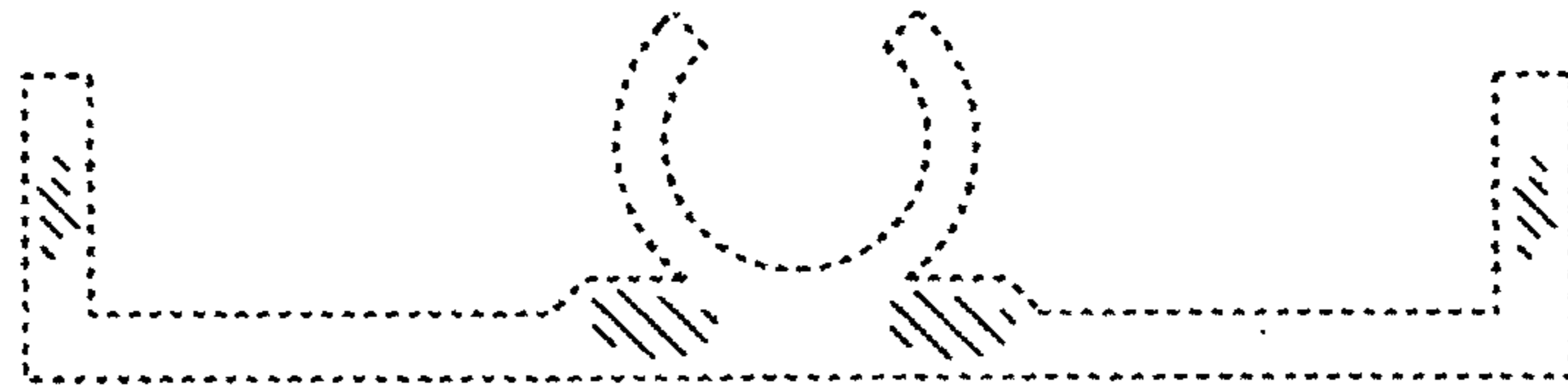


FIG. 3

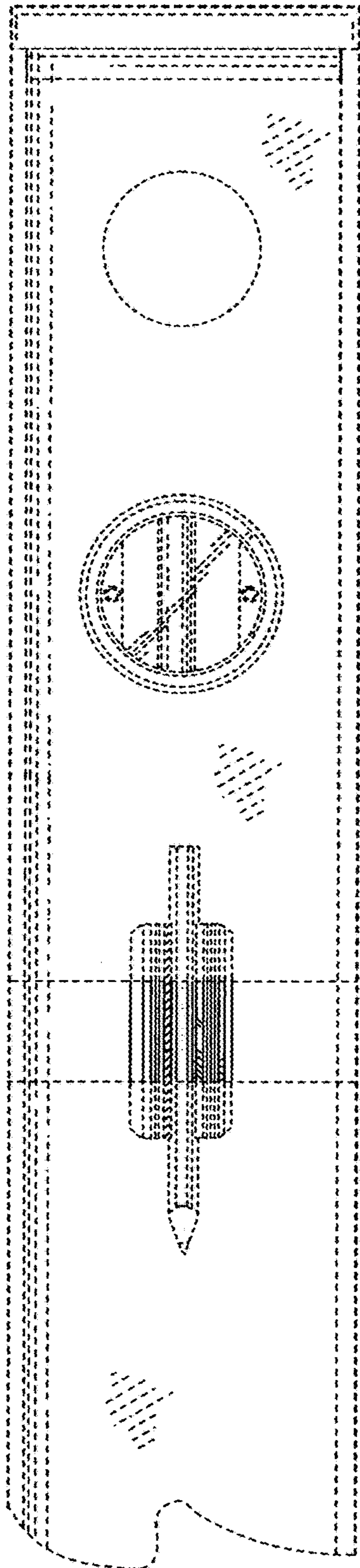


FIG. 4

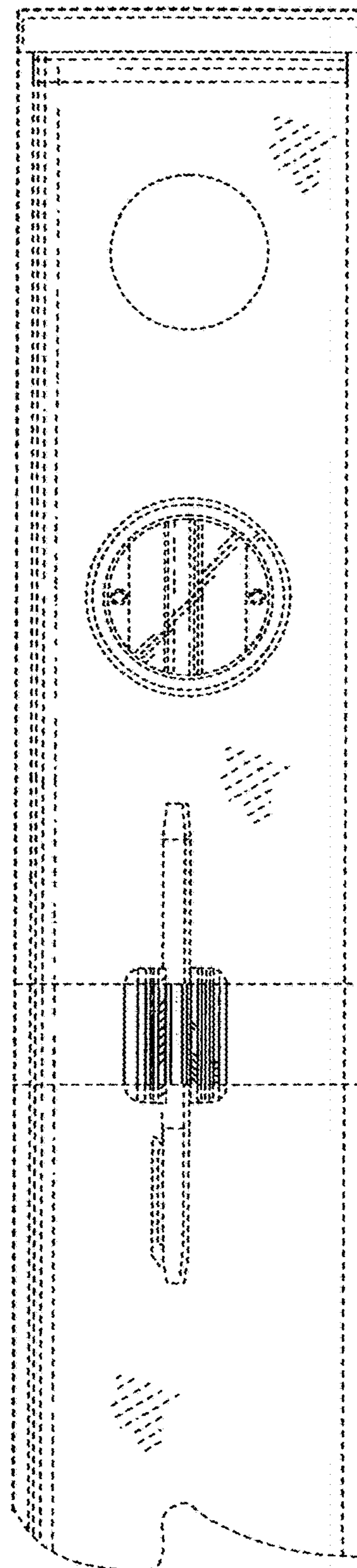


FIG. 5