



US00D830204S

(12) **United States Design Patent** (10) **Patent No.:** **US D830,204 S**
Parmigiani (45) **Date of Patent:** **** Oct. 9, 2018**

(54) **WATCH**
(71) Applicant: **Michel Parmigiani, Fleurier (CH)**
(72) Inventor: **Michel Parmigiani, Fleurier (CH)**
(73) Assignee: **Parmigiani Fleurier SA (CH)**
(**) Term: **15 Years**

D675,111 S * 1/2013 Yurman D10/32
D708,073 S * 7/2014 Parmigiani D10/38
D718,154 S * 11/2014 Gueit D10/38
D725,528 S * 3/2015 Parmigiani D10/128
D727,755 S * 4/2015 Laucella D10/39
D733,582 S * 7/2015 Gueit D10/38
D752,468 S * 3/2016 Schneider D10/126
D790,381 S * 6/2017 Plange D10/126
D792,242 S * 7/2017 Laucella D10/30

(Continued)

(21) Appl. No.: **29/610,225**
(22) Filed: **Jul. 11, 2017**
(51) **LOC (11) Cl.** **10-02**
(52) **U.S. Cl.**
USPC **D10/39**
(58) **Field of Classification Search**
USPC D10/30-39, 42, 122-124, 126, 128;
D11/3; D14/344; D99/28, 99; D24/167,
D24/186
See application file for complete search history.

OTHER PUBLICATIONS

The Parmigiani Fleurier Toric Chronometre | posted at hodinkee.com Jan. 24, 2017 © 2009-2018, Hodinkee Inc [online][site visited Jun. 14, 2018]. Available from Internet: <<https://www.hodinkee.com/articles/parmigiani-fleurier-toric-chronometre-introducing>> (Year: 2017).*

(Continued)

Primary Examiner — Sandra S Snapp
Assistant Examiner — Katherine Glennon
(74) *Attorney, Agent, or Firm* — Galbreath Law Offices, P.C.; John A. Galbreath

(56) **References Cited**

U.S. PATENT DOCUMENTS

D358,776 S * 5/1995 Pandel D10/30
D371,079 S * 6/1996 Mijatovic D10/39
D386,435 S * 11/1997 Kennedy D10/122
D390,788 S * 2/1998 Parmigiani D10/30
D477,236 S * 7/2003 Robert-Tissot D10/39
D553,534 S * 10/2007 d'Origny D10/124
D554,535 S * 11/2007 Journe D10/31
D559,128 S * 1/2008 Laucella D10/39
D559,130 S * 1/2008 Laucella D10/39
D578,413 S * 10/2008 Laucella D10/39
D617,213 S * 6/2010 Dolce D10/38
D632,980 S * 2/2011 Yurman D10/38
D645,361 S * 9/2011 Parmigiani D10/38
D650,296 S * 12/2011 Laucella D10/39
D660,727 S * 5/2012 Parmigiani D10/38
D671,429 S * 11/2012 Parmigiani D10/38
D671,846 S * 12/2012 Parmigiani D10/39

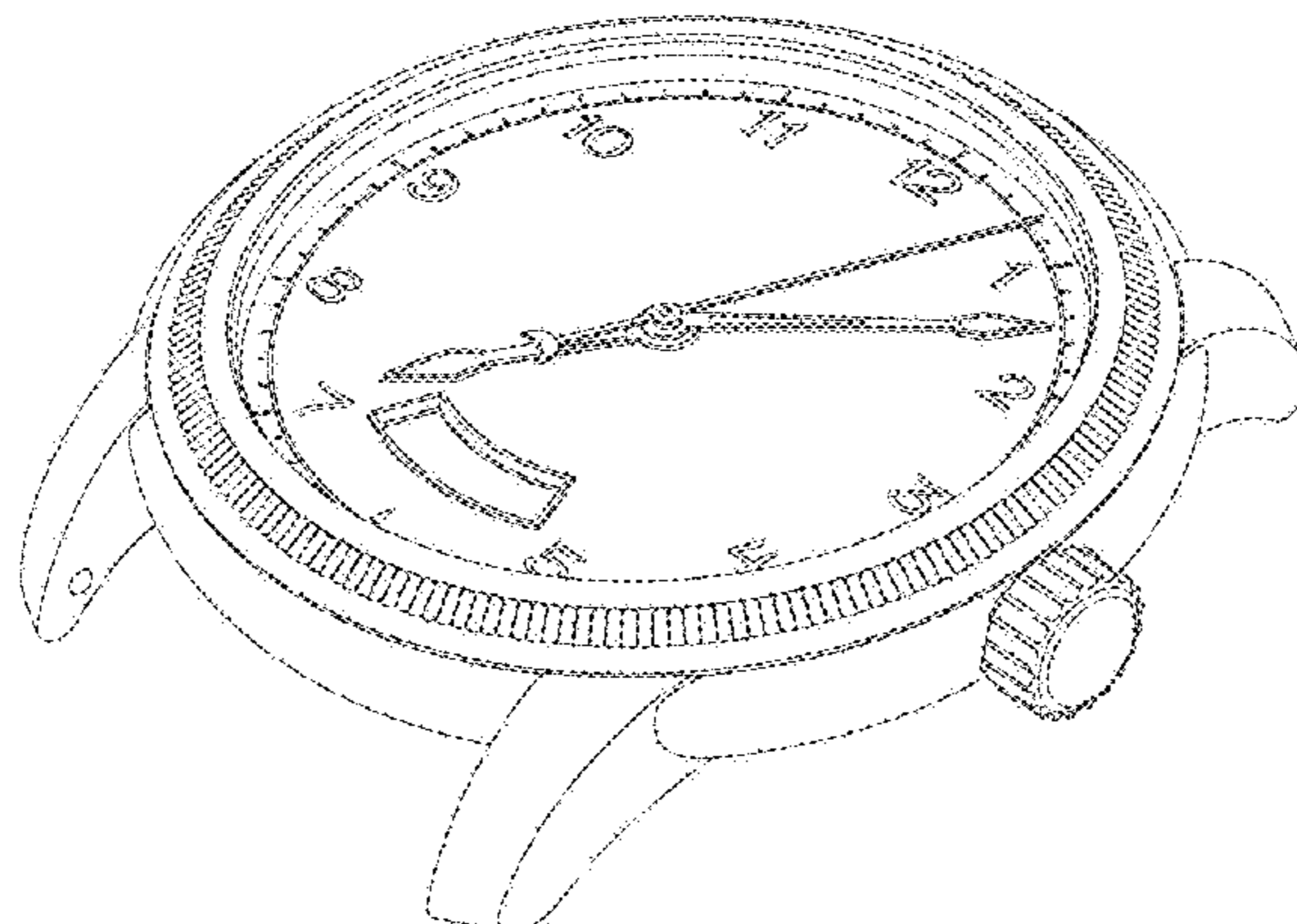
(57) **CLAIM**

The ornamental design for a watch, as shown and described.

DESCRIPTION

FIG. 1 is a top plan view of a watch showing my new design; FIG. 2 is a bottom plan view thereof; FIG. 3 is a left side elevational view thereof; FIG. 4 is a right side elevational view thereof; FIG. 5 is a rear elevational view thereof; FIG. 6 is a front elevational view thereof; FIG. 7 is a top right perspective view thereof; and, FIG. 8 is a top left perspective view thereof.

1 Claim, 8 Drawing Sheets



(56)

References Cited

U.S. PATENT DOCUMENTS

D795,086 S * 8/2017 Monachon D10/30
D816,531 S * 5/2018 Antifora D10/126
D818,847 S * 5/2018 Antifora D10/39

OTHER PUBLICATIONS

Detailed Look at the Parmigiani Toric Chronometre | posted at
watchesbysjx.com Jun. 2017 © 2011-2018 SJX [online][site visited
Jun. 14, 2018]. Available from internet: <[http://watchesbysjx.com/
2017/06/a-detailed-look-at-the-parmigiani-toric-chronometre-brilliantly-
made-and-sparsely-sold.html](http://watchesbysjx.com/2017/06/a-detailed-look-at-the-parmigiani-toric-chronometre-brilliantly-made-and-sparsely-sold.html) (Year: 2017).*

* cited by examiner



Fig. 1

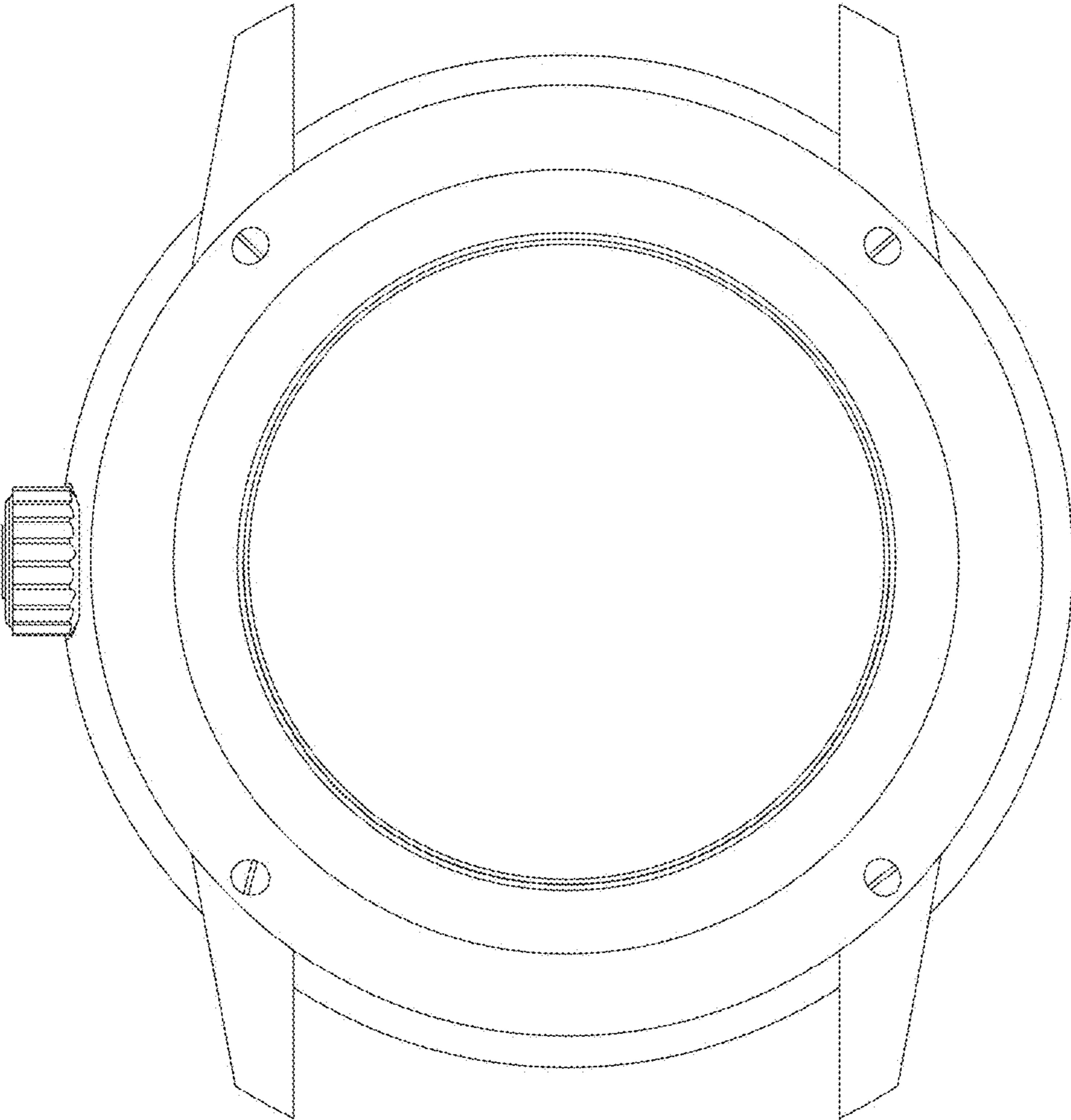


Fig. 2

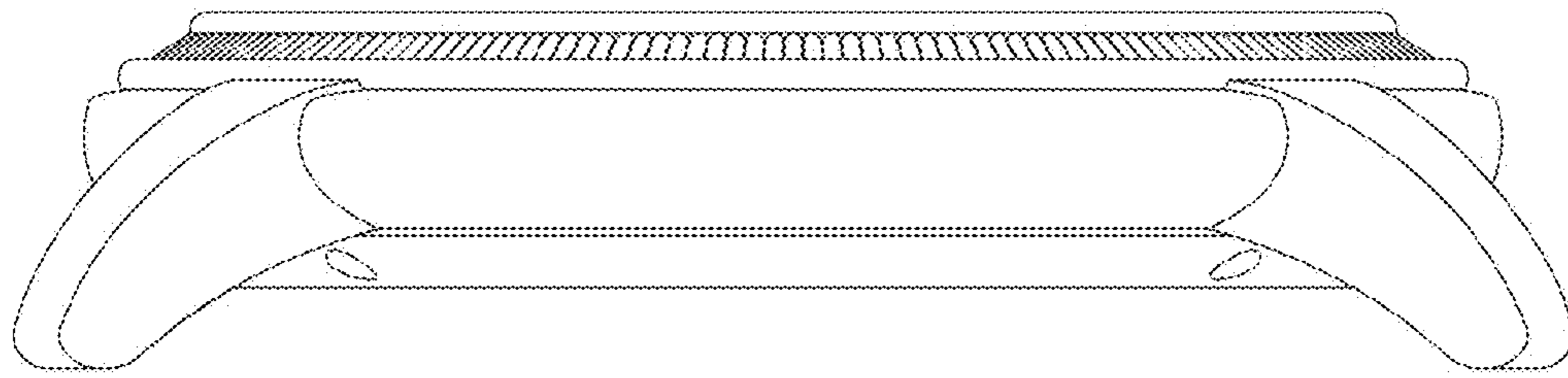


Fig. 3

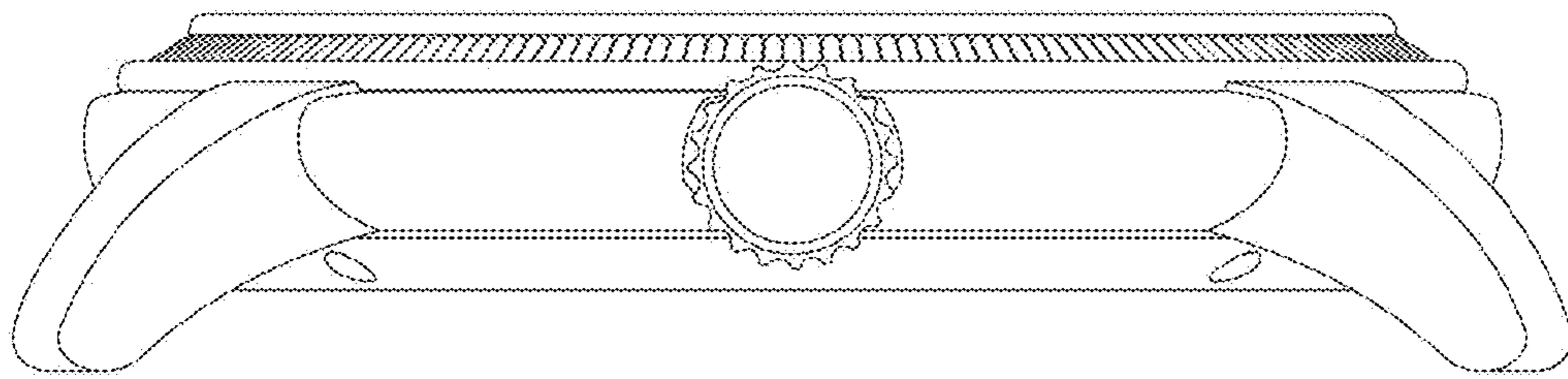


Fig. 4

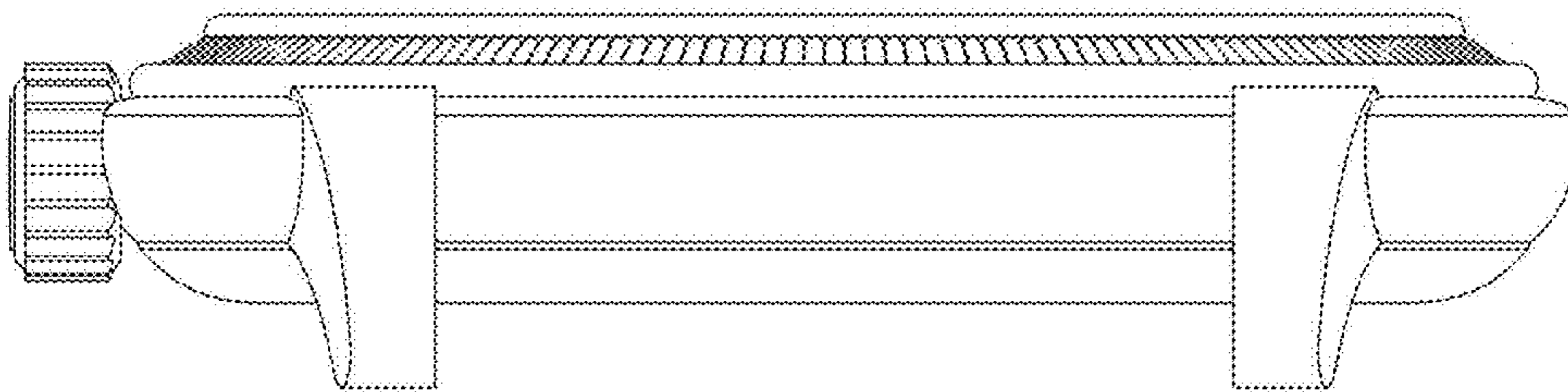


Fig. 5

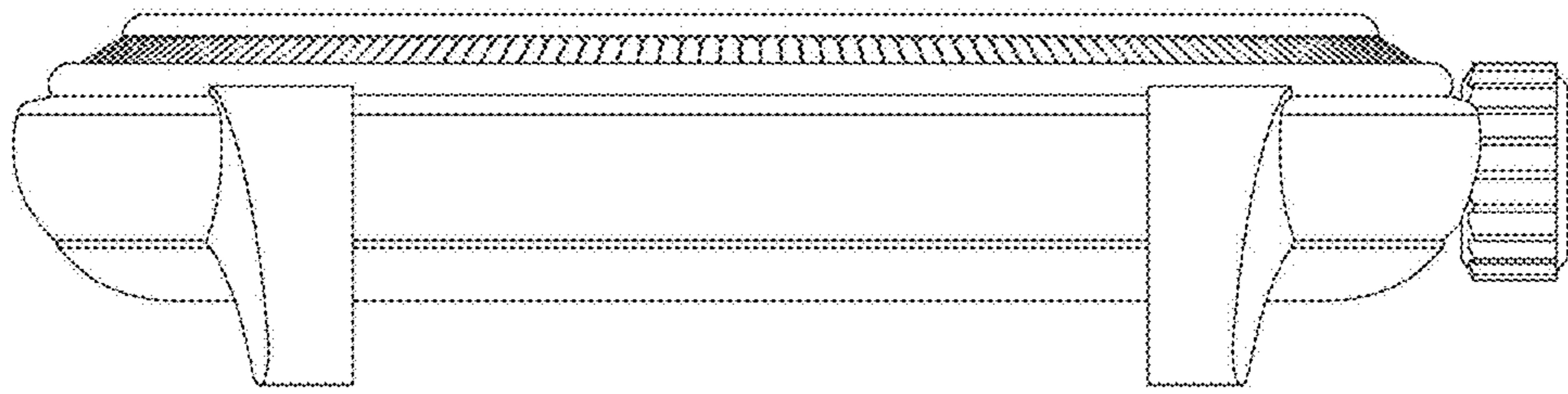


Fig. 6

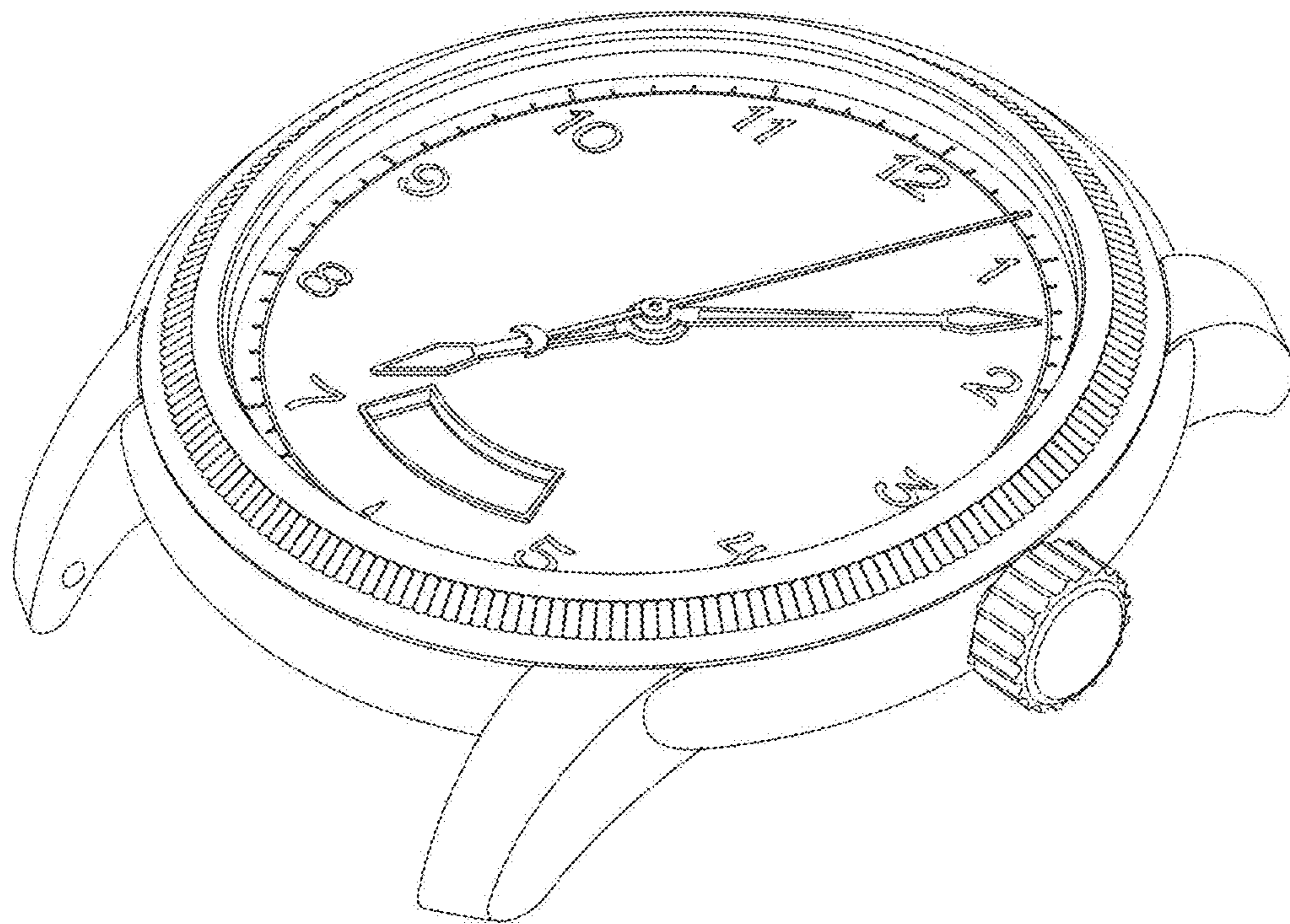


Fig. 7

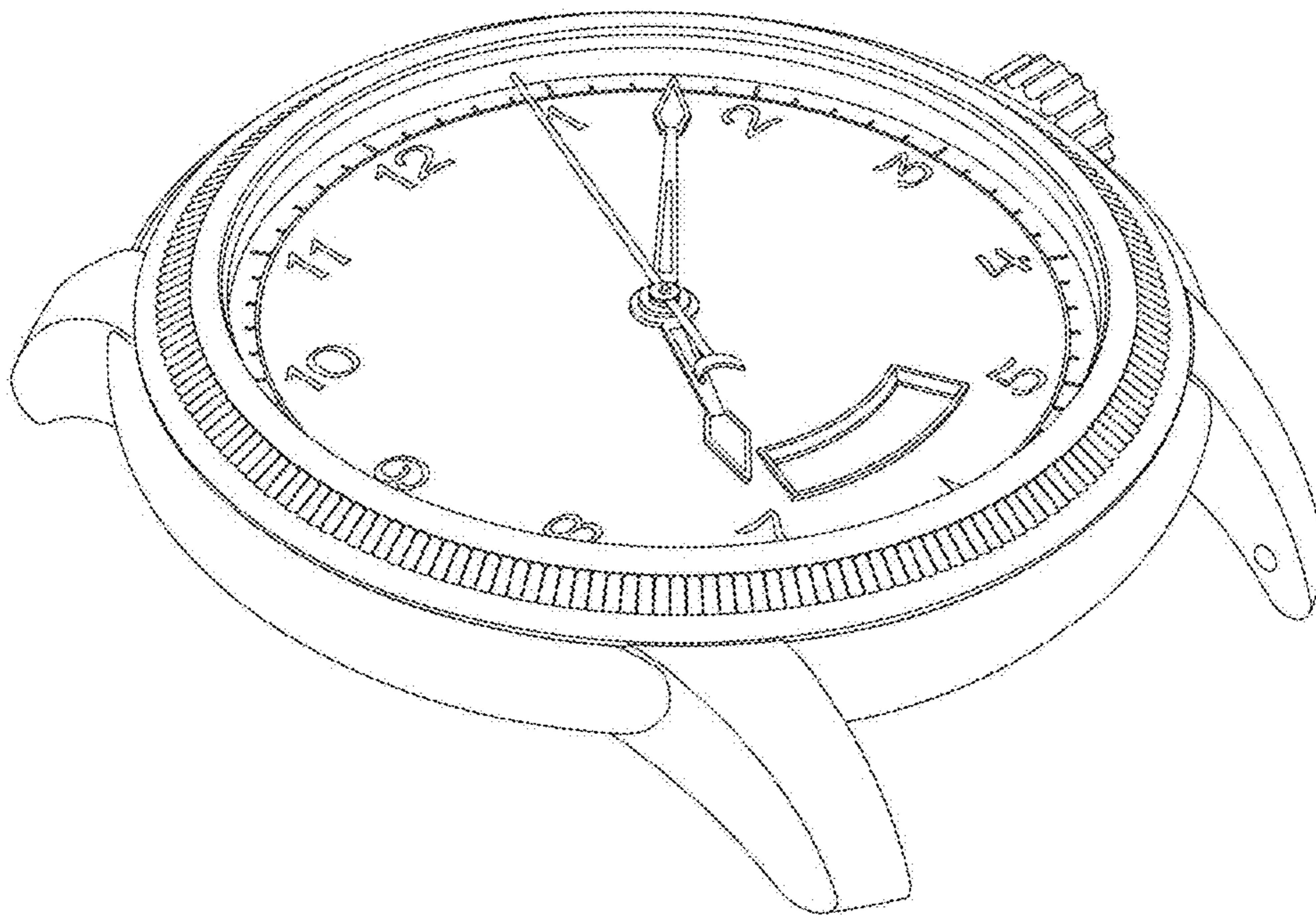


Fig. 8