



US00D830202S

(12) **United States Design Patent** (10) **Patent No.:** **US D830,202 S**  
**Buck** (45) **Date of Patent:** **\*\* \*Oct. 9, 2018**

(54) **FOOD CONTAINER**

(71) Applicant: **SNACKTOPS, INC.**, Carlsbad, CA  
(US)

(72) Inventor: **Ronald Mark Buck**, Encinitas, CA  
(US)

(73) Assignee: **SNACKTOPS, INC.**, Carlsbad, CA  
(US)

(\*) Notice: This patent is subject to a terminal disclaimer.

(\*\*) Term: **15 Years**

(21) Appl. No.: **29/542,081**

(22) Filed: **Oct. 9, 2015**

(51) **LOC (11) Cl.** ..... **09-03**

(52) **U.S. Cl.**  
USPC ..... **D9/761**

(58) **Field of Classification Search**

USPC ..... D9/341, 347, 414-432, 440, 444, 447,  
D9/449, 450-454, 503, 504, 737, 759,  
D9/761; D7/672, 601, 550.1, 551.1,  
D7/551.2, 551.3, 552.1, 552.2, 553.1,  
D7/553.2, 553.3, 553.4, 553.5, 553.7,  
D7/553.8, 554.1, 554.3, 555, 557, 602,  
D7/629, 630, 538-549, 612-615, 584,  
D7/586, 587, 392.1, 709, 502, 608, 622,  
D7/701, 703, 543-549, 317-319, 391,  
D7/392, 396.2, 510, 511; D3/273,  
D3/201-206, 276, 283, 284, 295, 274,  
D3/302; D11/143; 249/126, 134;  
206/216, 217, 541-550, 518, 557, 558,  
206/561, 564, 223, 467; 220/669-673,  
220/675, 574-575, 573.1, 4.21, 660, 326,  
220/236, 780-806, 4.24, 288, 260, 266,

(Continued)

(56) **References Cited**

U.S. PATENT DOCUMENTS

D219,263 S \* 11/1970 Castelli et al. .... D7/546  
4,593,816 A \* 6/1986 Langenbeck ..... B65D 25/06  
206/425

(Continued)

*Primary Examiner* — Cathron C Brooks

*Assistant Examiner* — W. A. Teddy Falloway

(74) *Attorney, Agent, or Firm* — Manuel de la Cerra

(57) **CLAIM**

The ornamental design for a food container, as shown and described.

**DESCRIPTION**

FIG. 1 is a top perspective view of a first embodiment of a food container.

FIG. 2 is a bottom perspective view thereof.

FIG. 3 is a top perspective view of a second embodiment of the design of FIGS. 1 and 2, but shown as transparent.

FIG. 4 is a bottom perspective view thereof.

FIG. 5 is a top perspective view of the food container of the design of FIG. 1, attached to a beverage container.

FIG. 6 is a bottom perspective view thereof, attached to a beverage container.

FIG. 7 is a top perspective view thereof, detached from a beverage container and a condiment container.

FIG. 8 is a bottom perspective view thereof, detached from a beverage container and a condiment container.

FIG. 9 is a top view of the design of FIG. 1.

FIG. 10 is a bottom view thereof.

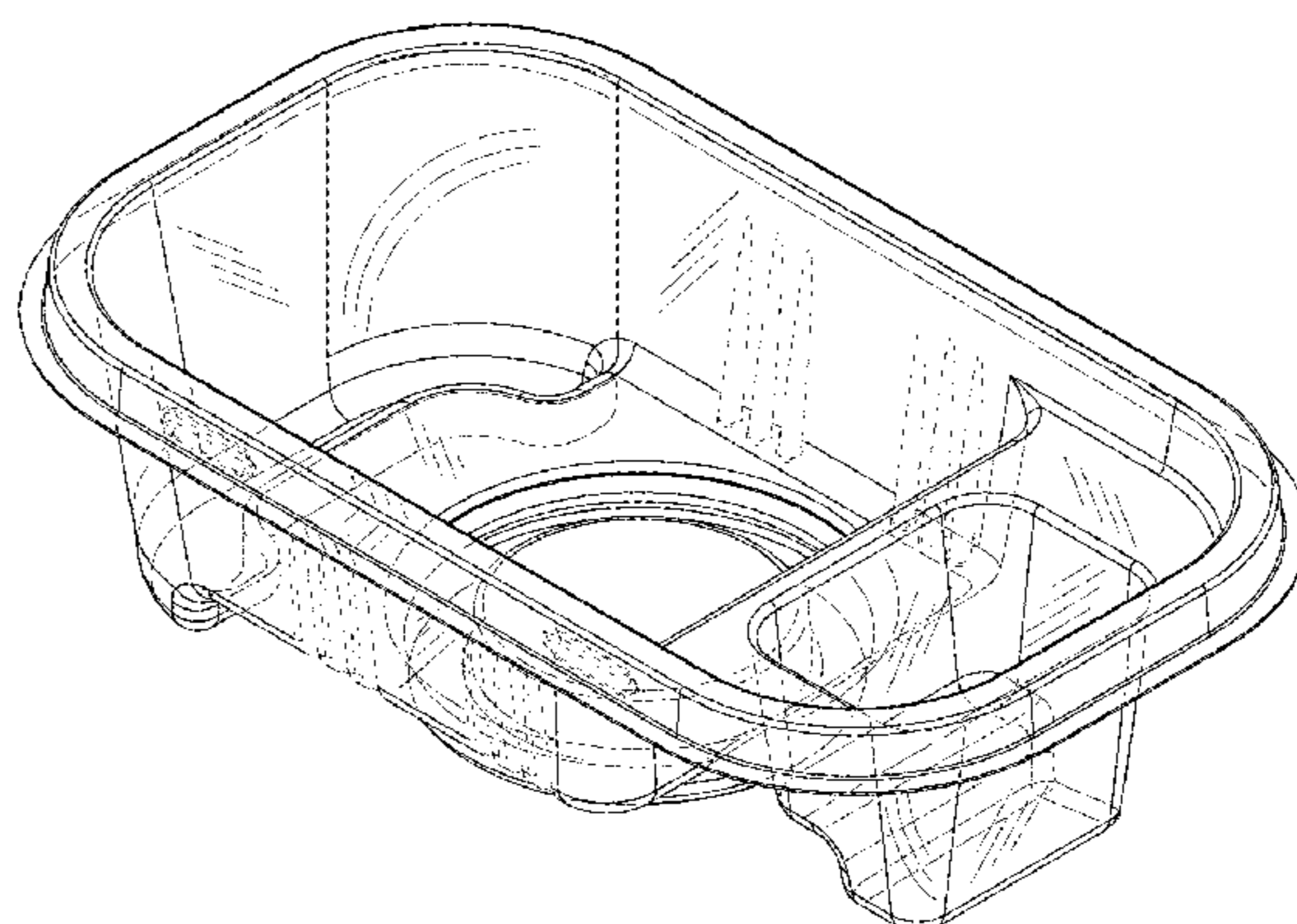
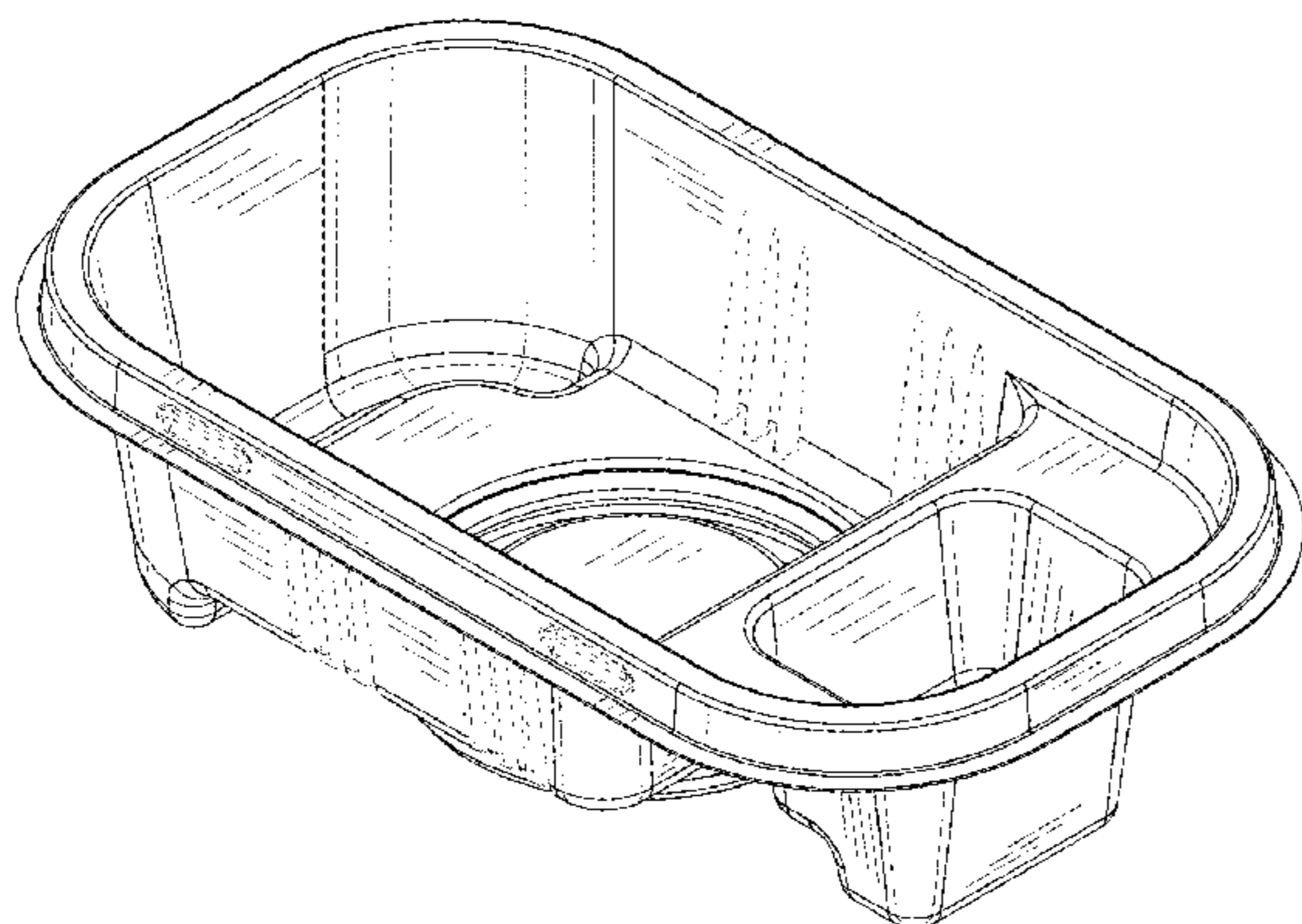
FIG. 11 is a front view thereof, the rear view being a mirror image.

FIG. 12 is a right side view thereof; and,

FIG. 13 is a left side view thereof.

The broken lines showing a beverage container and condiment container illustrate environmental structure. All other broken lines illustrate portions of the food container. The broken lines form no part of the claimed design.

**1 Claim, 9 Drawing Sheets**



(58) **Field of Classification Search**

USPC .. 220/306, 352, 356, 523, 23.8, 23.2, 23.83,  
 220/23.4, 662, 792-799, 700, 701, 703,  
 220/711, 713-715, 719; 426/106;  
 229/107, 406, 120, 125.17; 215/211, 200,  
 215/224, 243  
 CPC ..... B65D 1/36; B65D 2543/00194; B65D  
 2543/00296; B65D 2543/00555; B65D  
 2581/3425; B65D 25/04; B65D 43/0218;  
 B65D 2543/00083; B65D 2543/00268;  
 B65D 2543/00277; B65D 2543/00351;  
 B65D 81/3453; B65D 43/16; B65D  
 51/28; B65D 43/162; B65D 1/24; B65D  
 21/0237; B65D 2543/00101; A47G 19/02;  
 A47G 19/065; A47G 23/0608  
 See application file for complete search history.

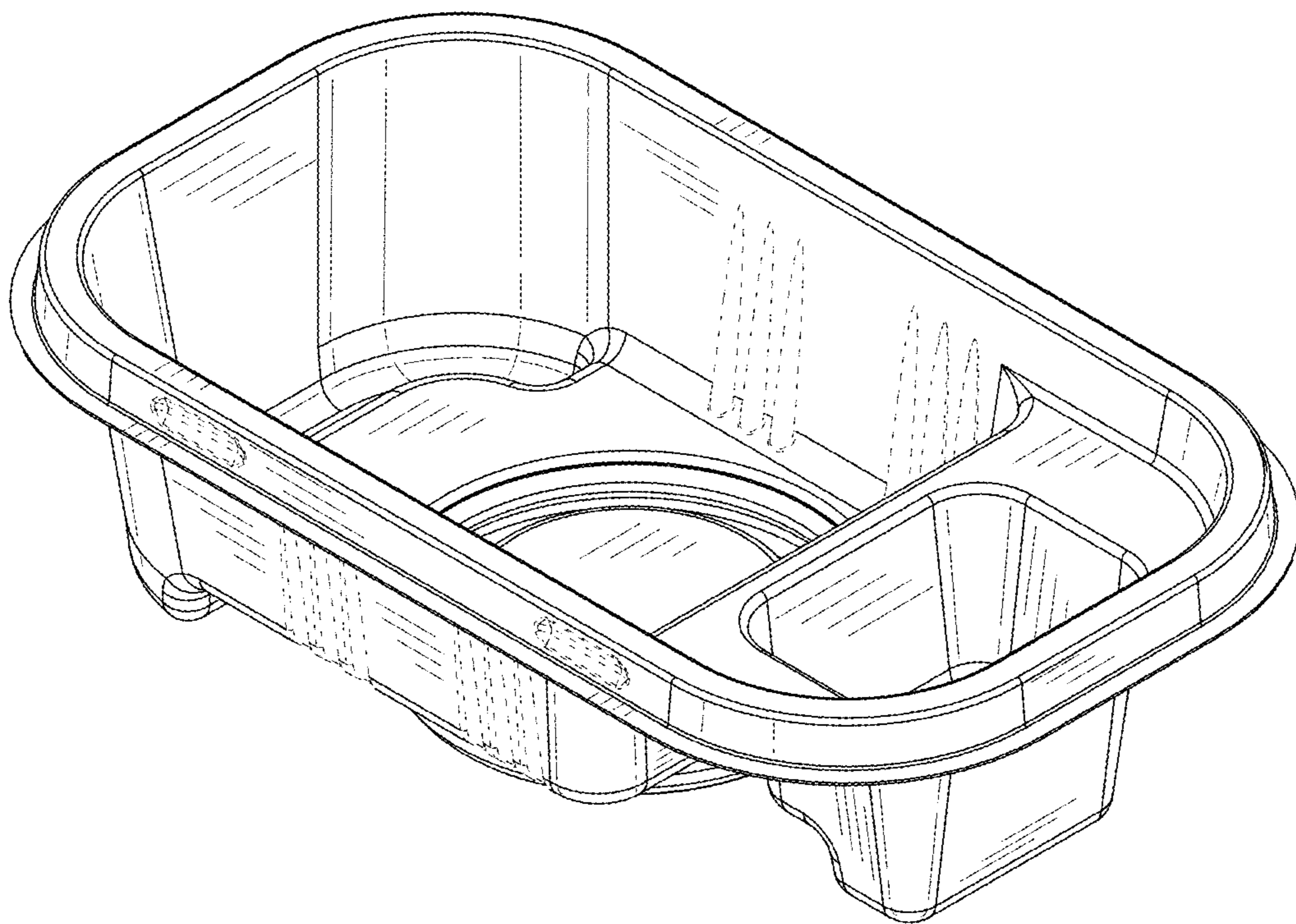
(56) **References Cited**

U.S. PATENT DOCUMENTS

D287,336 S \* 12/1986 Roehrig ..... D3/295  
 D387,272 S \* 12/1997 Lippincott ..... D9/425  
 5,921,383 A \* 7/1999 Shefler ..... A45C 11/04  
 206/38  
 D419,375 S \* 1/2000 Mangla ..... D7/387  
 D446,719 S \* 8/2001 Garraway ..... D9/425  
 D492,844 S \* 7/2004 Ramirez ..... D3/304

D495,491 S \* 9/2004 Ramirez ..... D3/304  
 D504,065 S \* 4/2005 Belser ..... D9/423  
 D587,993 S \* 3/2009 Vovan ..... D9/416  
 D596,935 S \* 7/2009 Golota ..... D9/420  
 D647,790 S \* 11/2011 Lopez ..... D9/429  
 D650,267 S \* 12/2011 Gibson ..... D9/420  
 8,240,505 B1 \* 8/2012 Chen ..... B65D 43/162  
 220/4.21  
 D668,537 S \* 10/2012 Sanfilippo ..... D9/423  
 D674,181 S \* 1/2013 Faulkner ..... D24/231  
 D689,618 S \* 9/2013 Valderrama ..... D24/194  
 D694,102 S \* 11/2013 Bellamah ..... D9/424  
 D740,018 S \* 10/2015 Zhang ..... D3/201  
 D746,131 S \* 12/2015 Astorga ..... D9/425  
 D787,930 S \* 5/2017 Buck ..... D9/425  
 9,783,349 B2 \* 10/2017 Buck ..... B65D 51/28  
 D810,421 S \* 2/2018 Ross ..... D3/203.1  
 D823,701 S \* 7/2018 Buck ..... D9/761  
 2006/0124648 A1 \* 6/2006 Croft ..... B65D 1/24  
 220/521  
 2015/0008217 A1 \* 1/2015 Pham ..... B65D 43/162  
 220/4.23  
 2015/0136777 A1 \* 5/2015 Baillies ..... B65D 43/0235  
 220/270  
 2015/0196155 A1 \* 7/2015 Green ..... B65D 85/70  
 426/511  
 2015/0203269 A1 \* 7/2015 Semer ..... A45C 5/005  
 206/1.5  
 2017/0203893 A1 \* 7/2017 Buck ..... A47G 19/2272

\* cited by examiner



*FIG. 1*

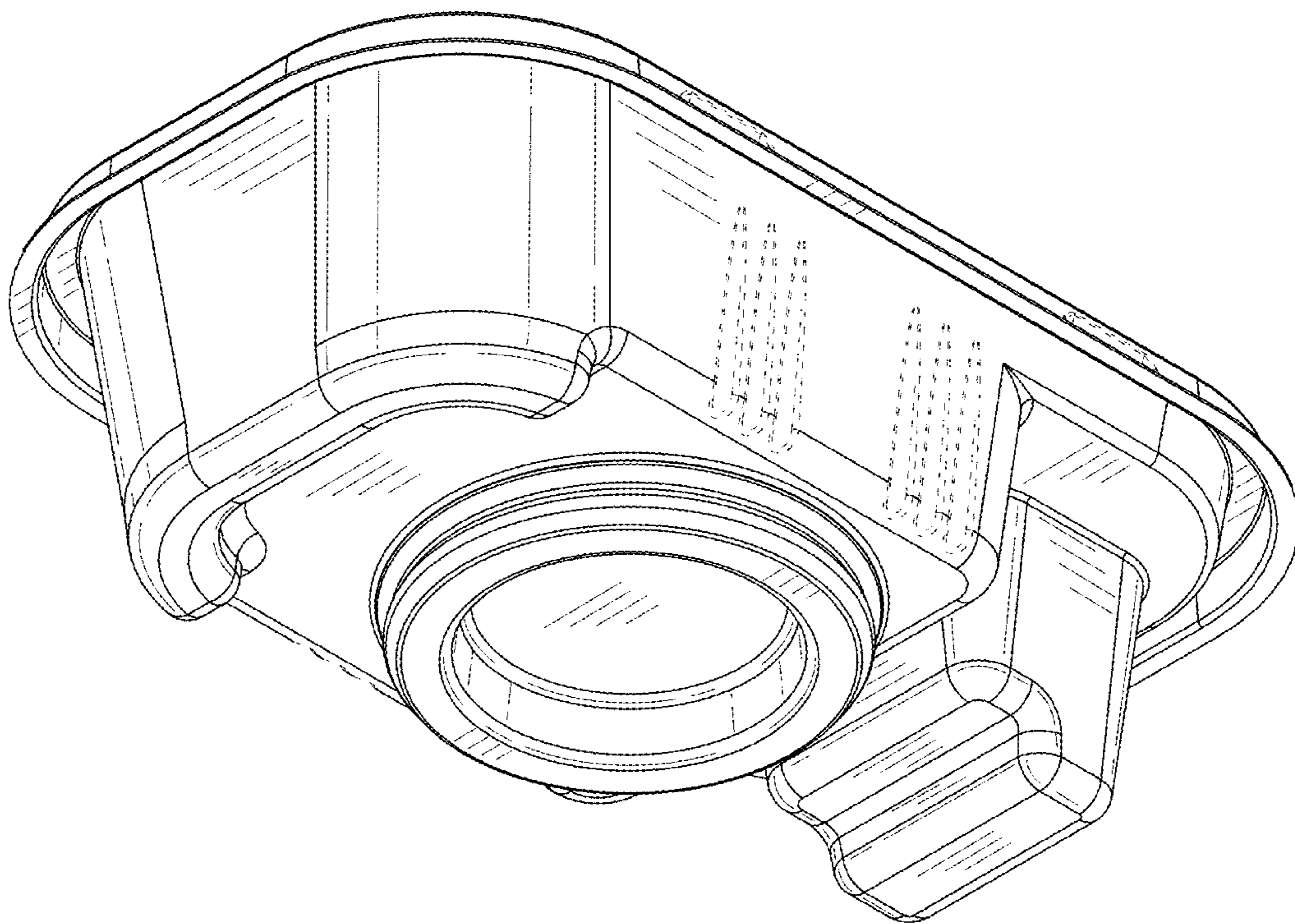
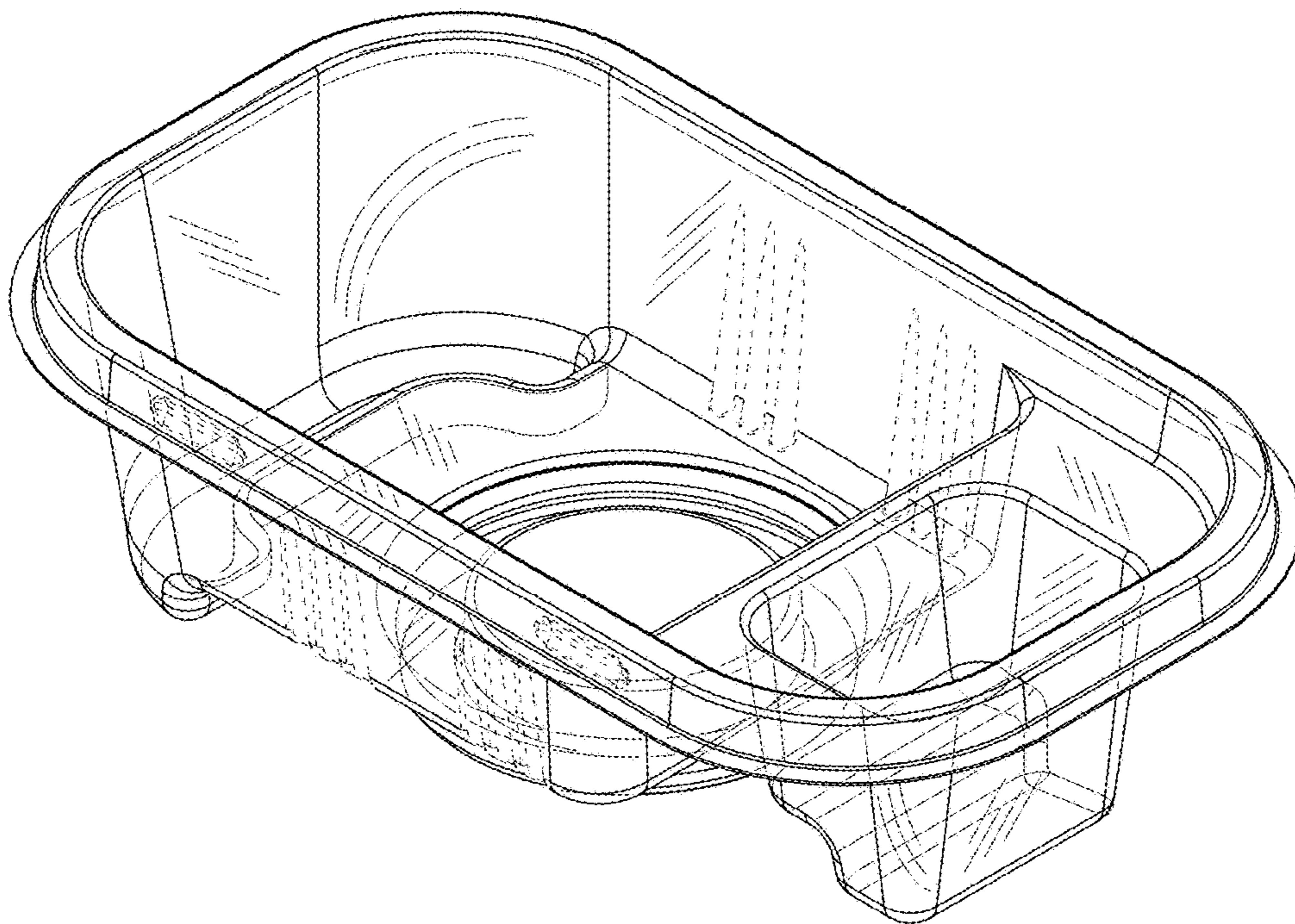


FIG. 2



*FIG. 3*

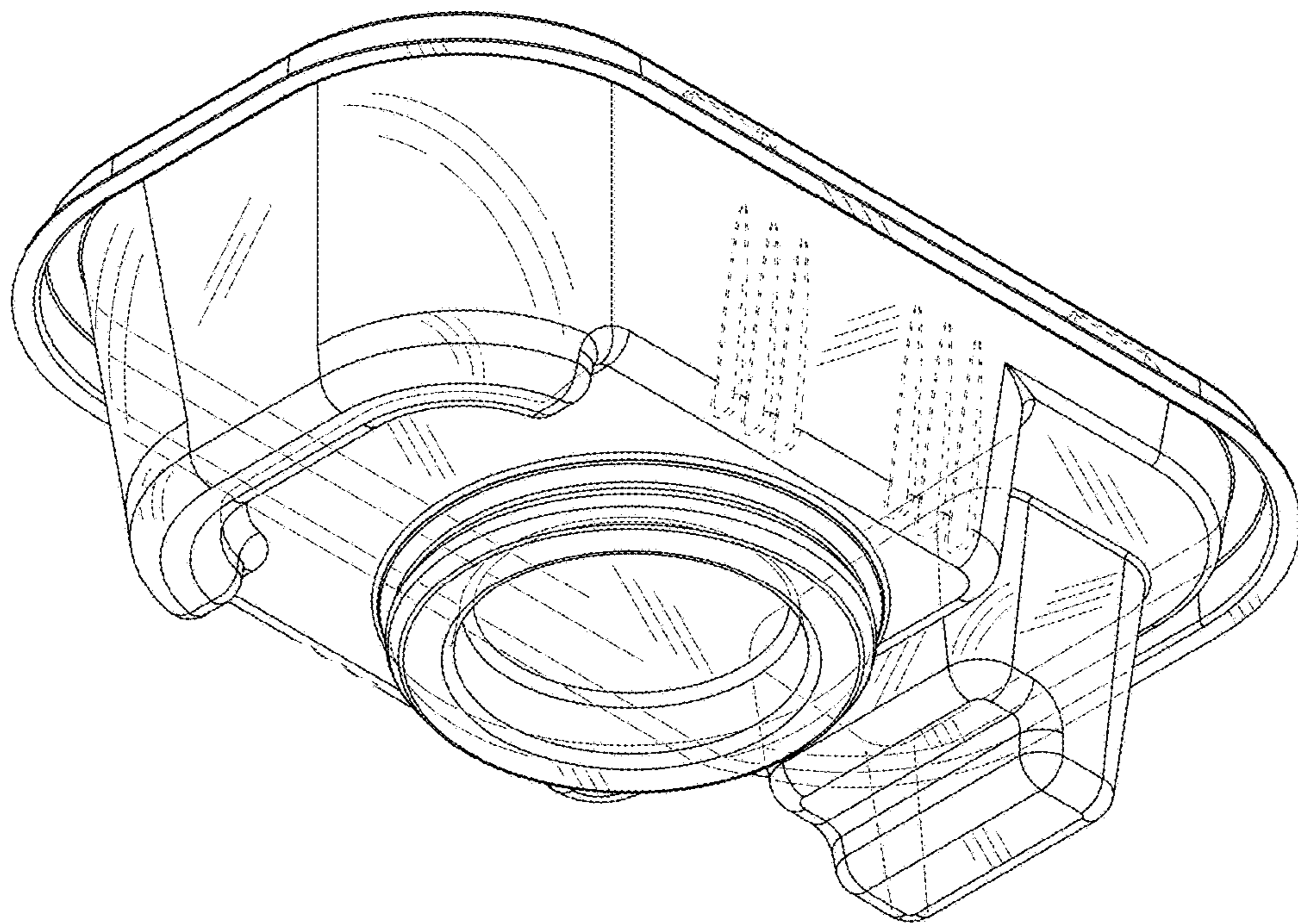


FIG. 4

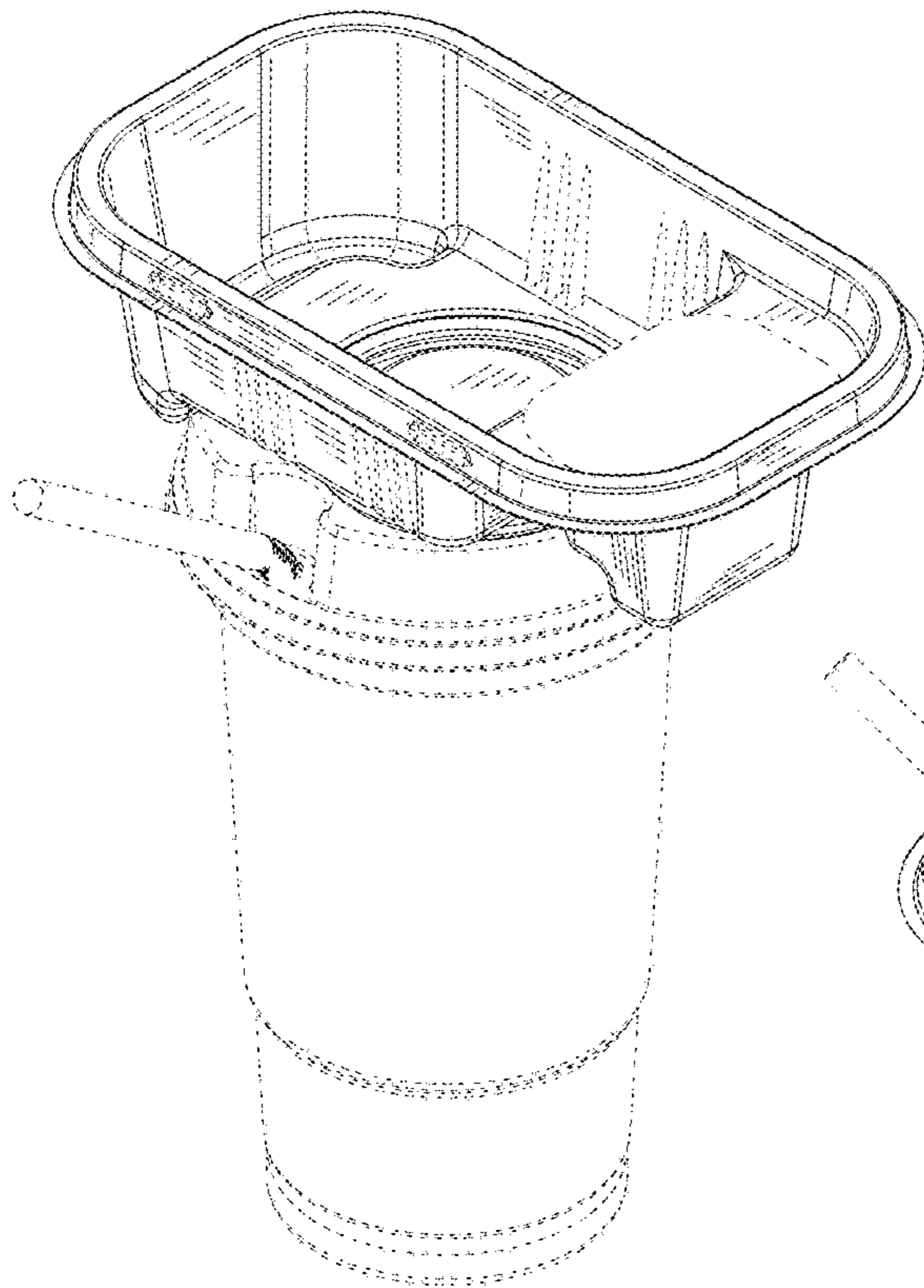


FIG. 5

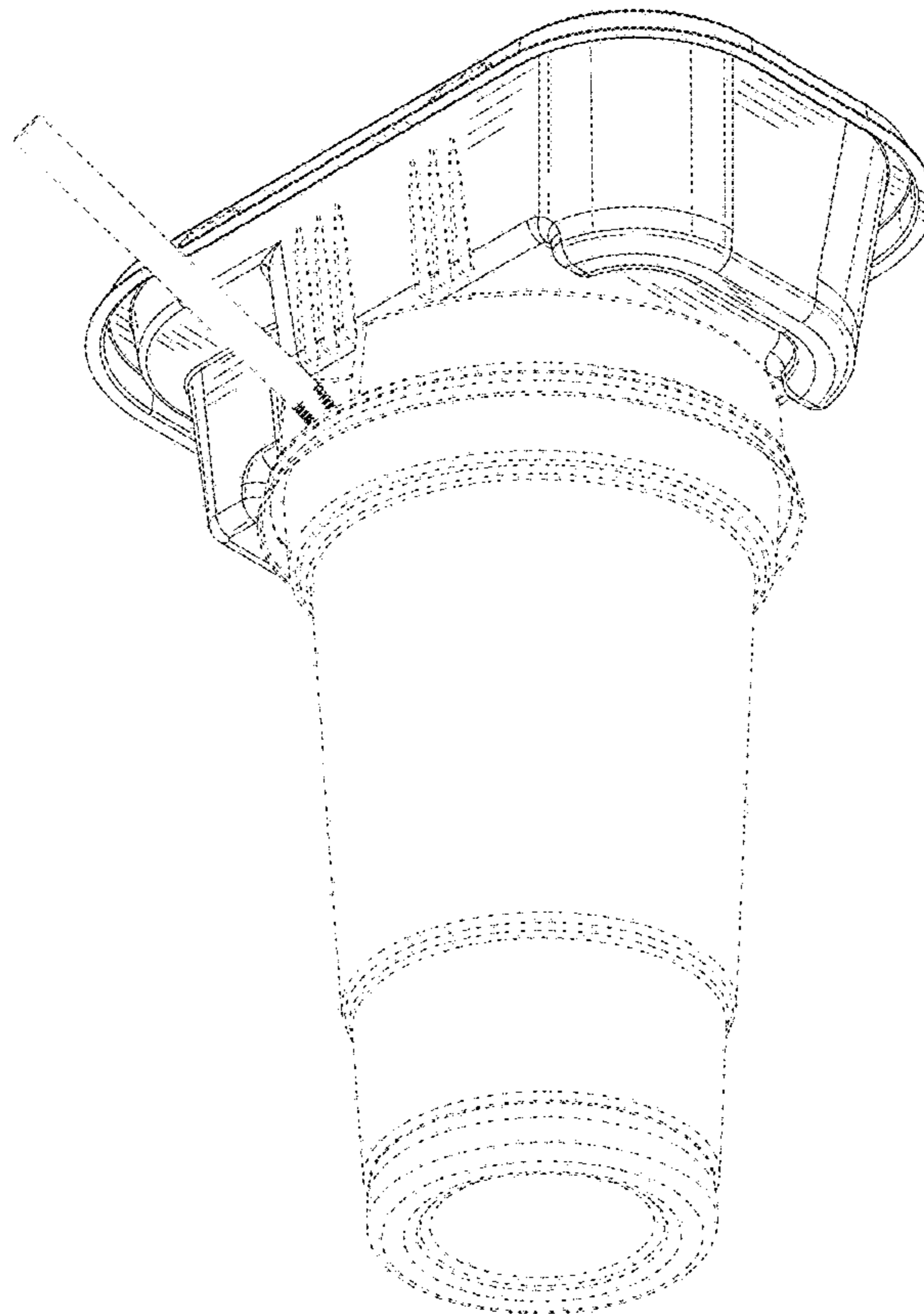


FIG. 6

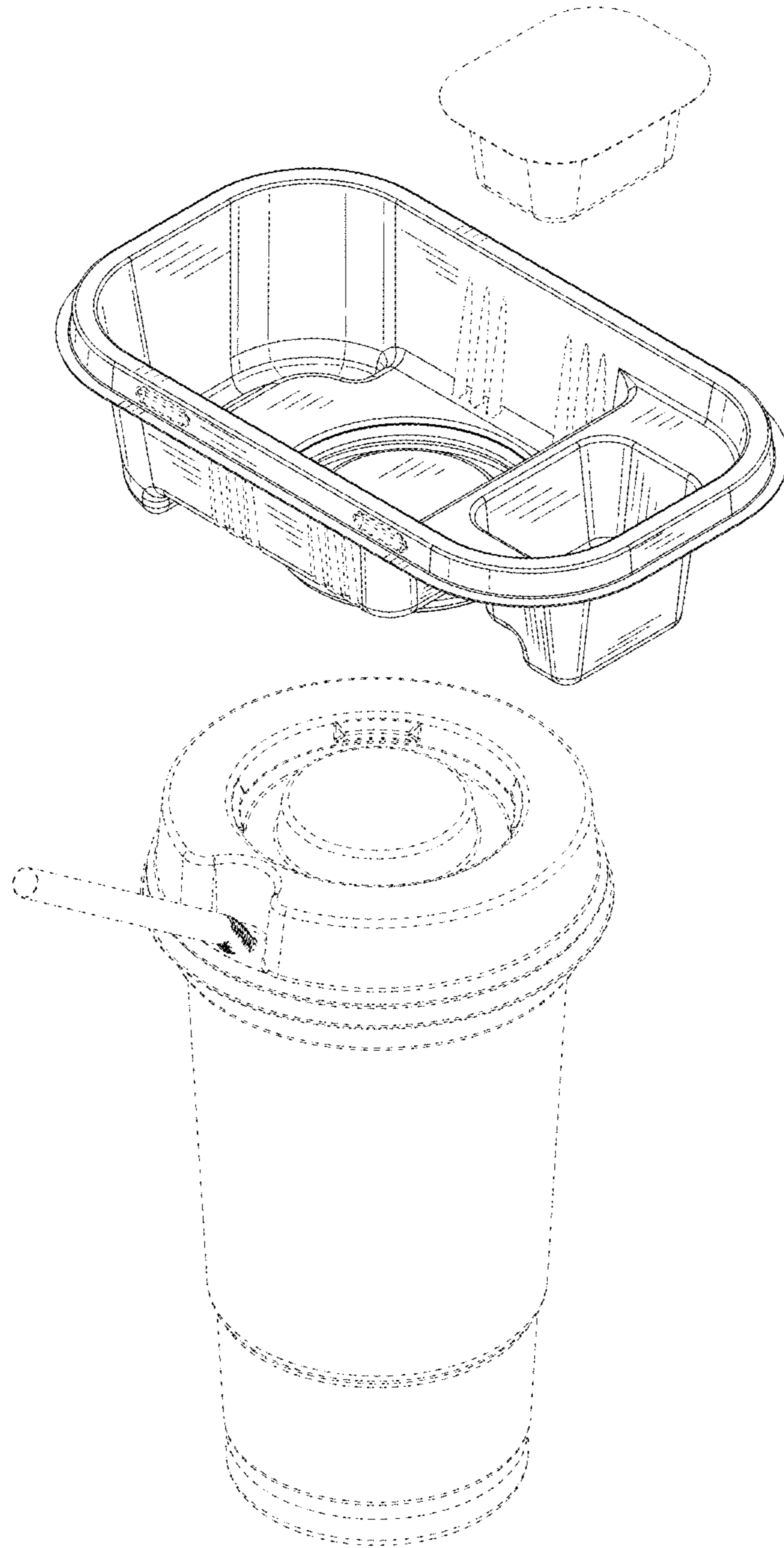
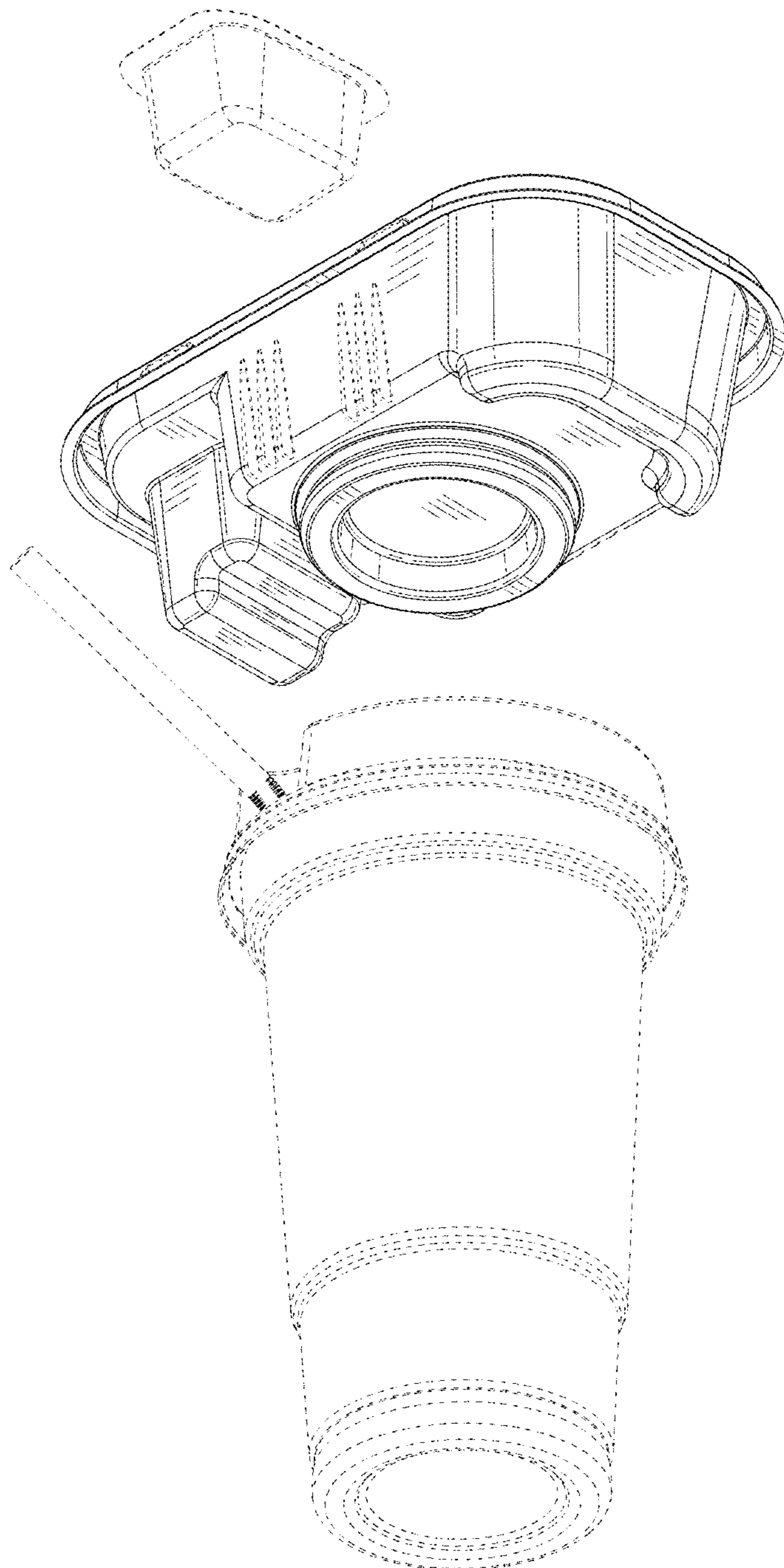


FIG. 7





**FIG. 8**

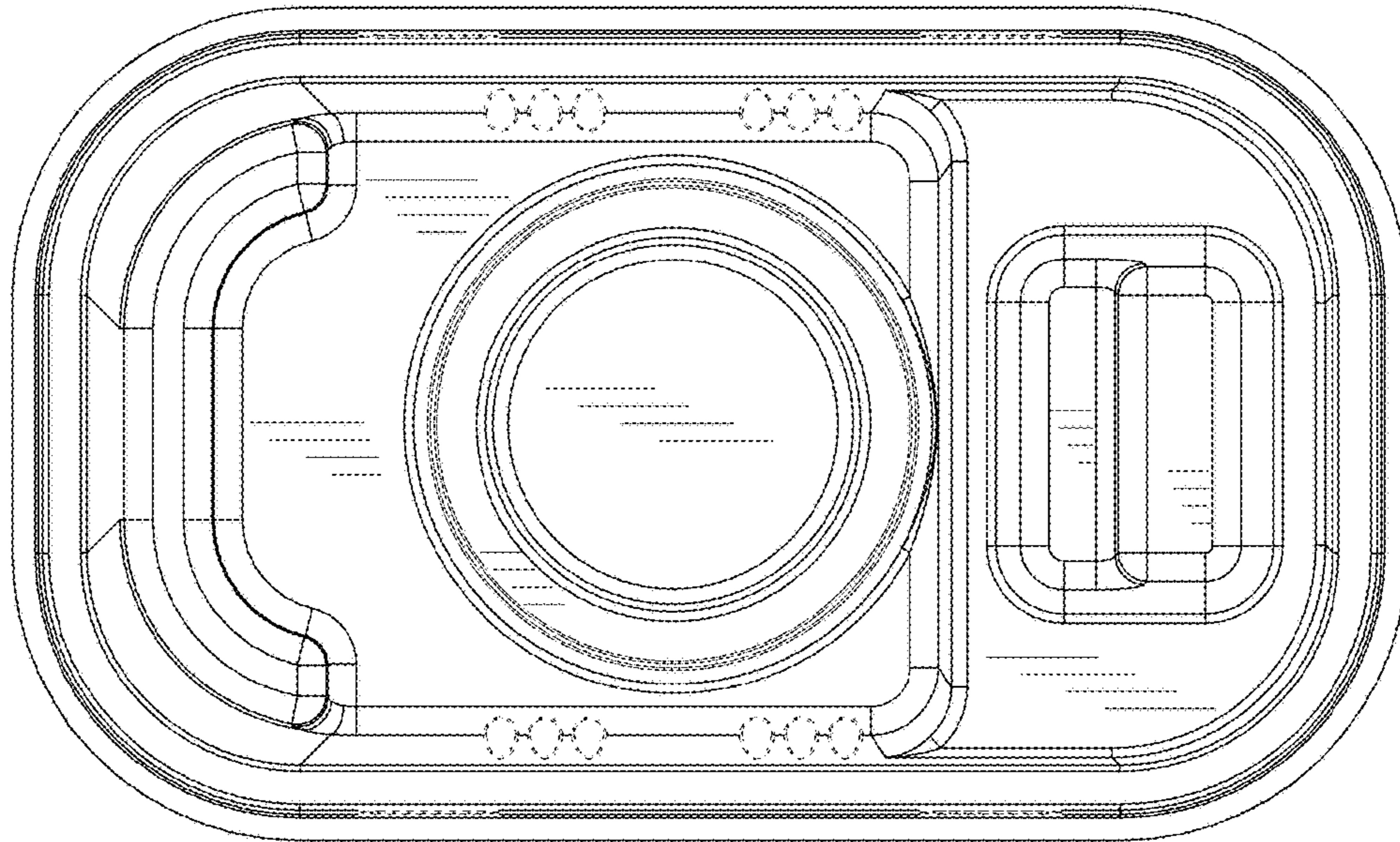


FIG. 9

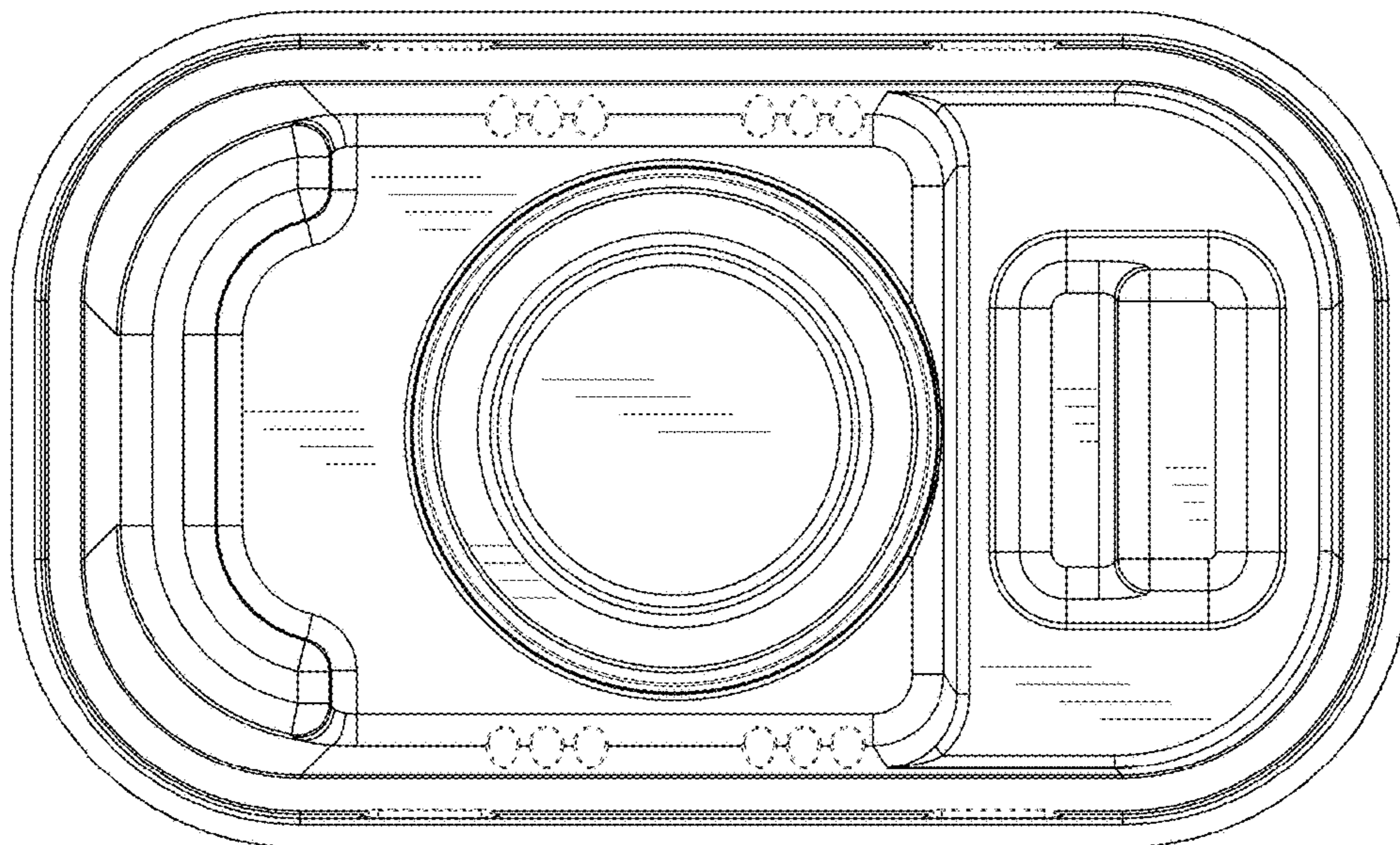
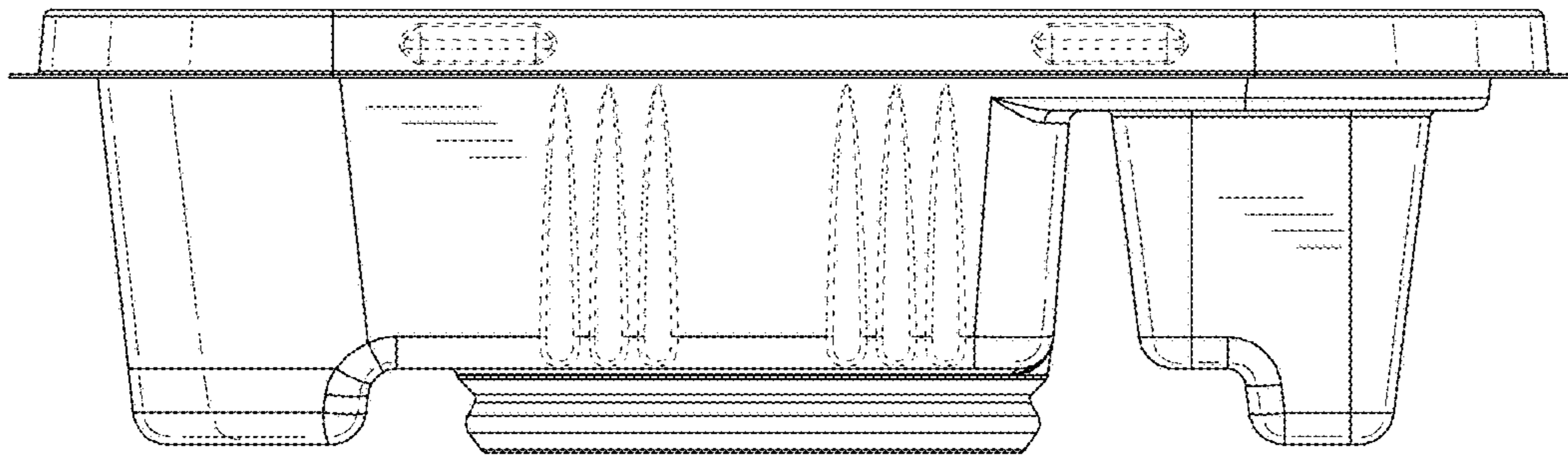
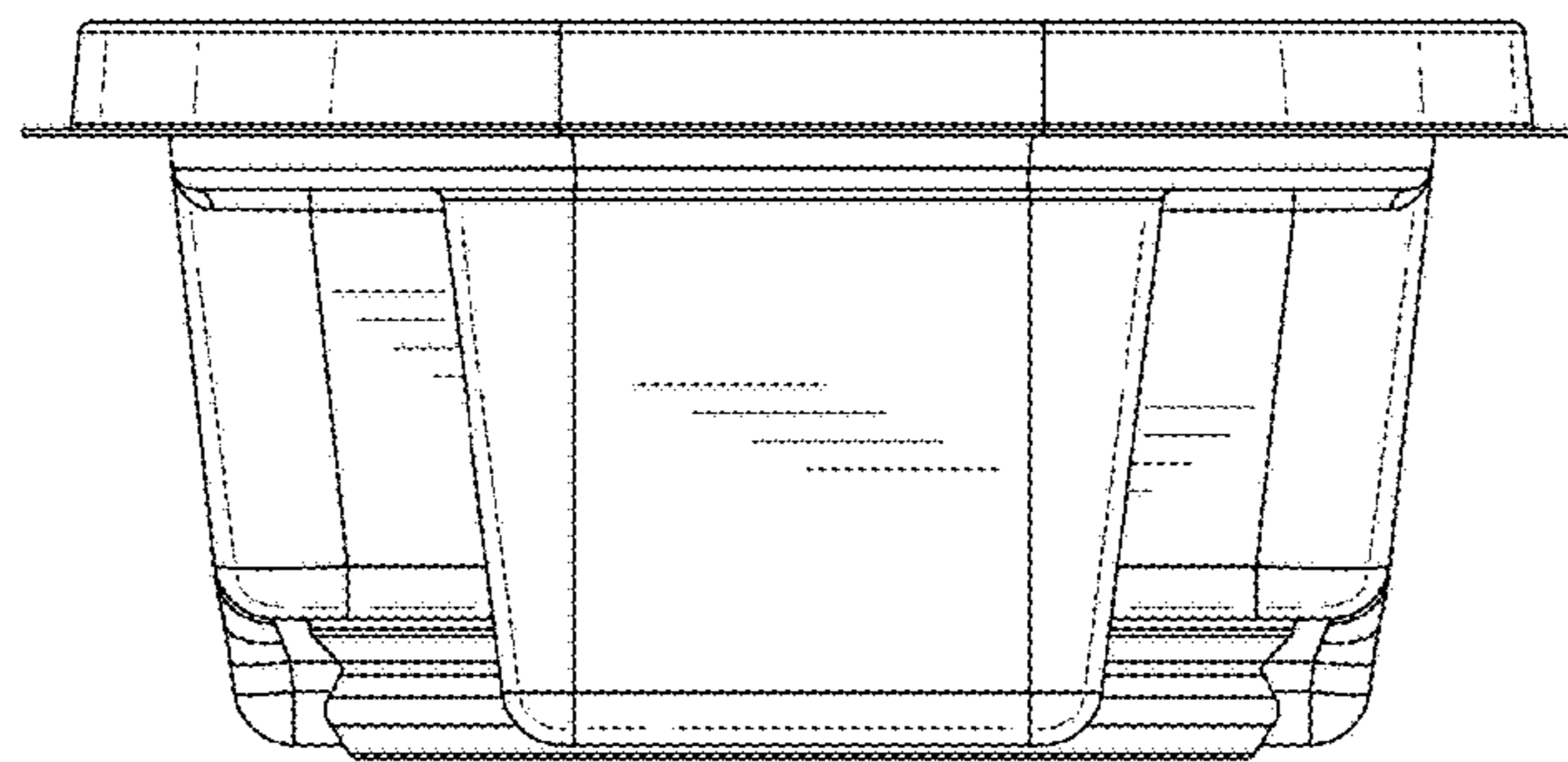


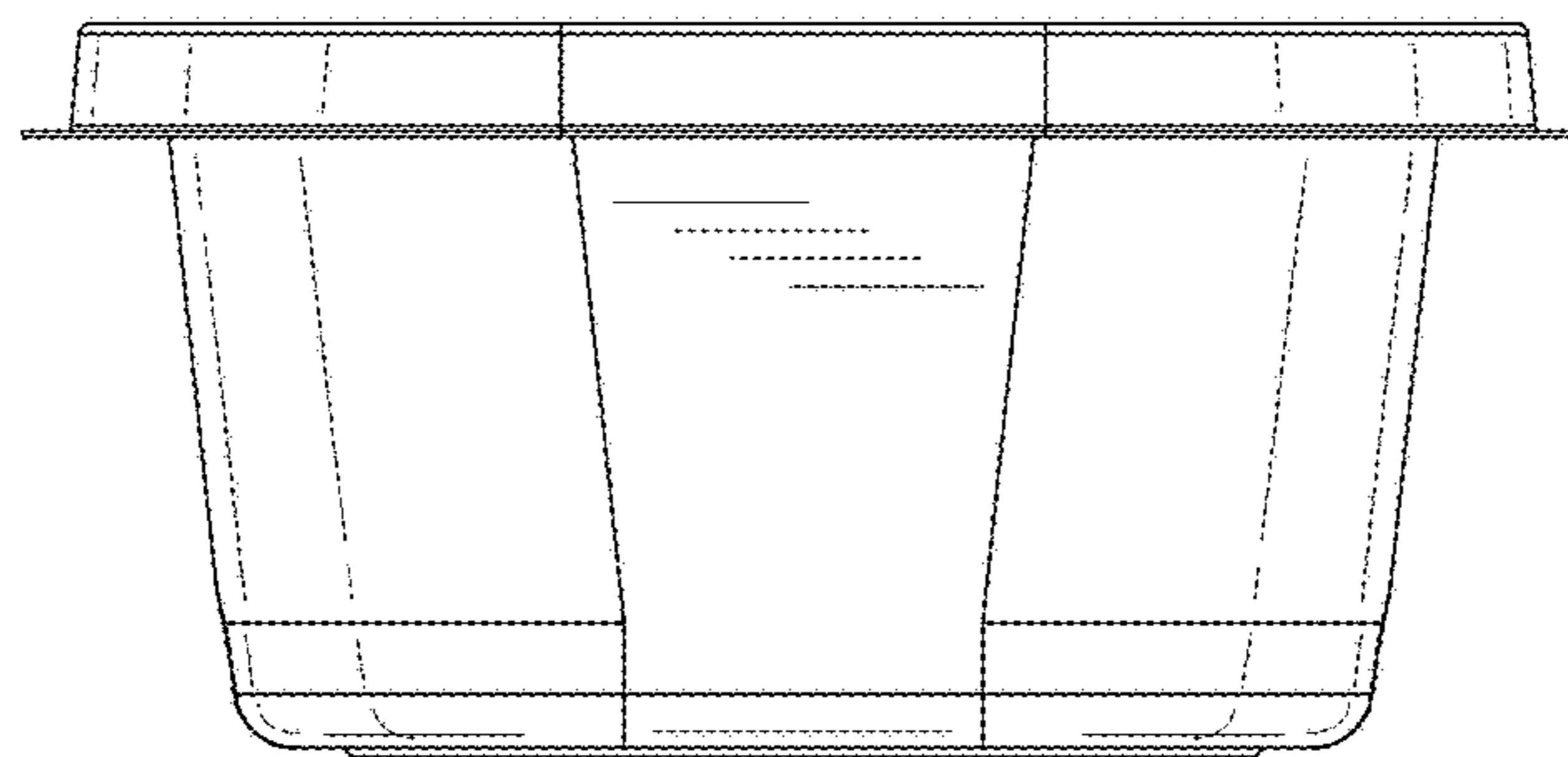
FIG. 10



**FIG. 11**



**FIG. 12**



**FIG. 13**