



US00D830201S

(12) **United States Design Patent** (10) **Patent No.:** **US D830,201 S**
Buck (45) **Date of Patent:** **** *Oct. 9, 2018**

(54) **FOOD CONTAINER**

(71) Applicant: **SNACKTOPS, INC.**, Carlsbad, CA (US)

(72) Inventor: **Ronald Mark Buck**, Encinitas, CA (US)

(73) Assignee: **SNACKTOPS, INC.**, Carlsbad, CA (US)

(*) Notice: This patent is subject to a terminal disclaimer.

(**) Term: **15 Years**

(21) Appl. No.: **29/542,079**

(22) Filed: **Oct. 9, 2015**

(51) **LOC (11) Cl.** **09-03**

(52) **U.S. Cl.**

USPC **D9/761**

(58) **Field of Classification Search**

USPC D9/341, 347, 414-432, 440, 444, 447, D9/449, 450-454, 503, 504, 737, 759, D9/761; D7/672, 601, 550.1, 551.1, D7/551.2, 551.3, 552.1, 552.2, 553.1, D7/553.2, 553.3, 553.4, 553.5, 553.7, D7/553.8, 554.1, 554.3, 555, 557, 602, D7/629, 630, 538-549, 612-615, 584, D7/586, 587, 392.1, 709, 502, 608, 622, D7/701, 703, 317-319, 391, 392, 396.2, D7/510, 511; D3/273, 201-206, 276, D3/283, 284, 295, 274, 302; D11/143; 249/126, 134; 206/216, 217, 541-550, 206/518, 557, 558, 561, 564, 223, 467; 220/669-673, 675, 574-575, 573.1, 4.21, 220/660, 326, 236, 780-806, 4.24, 288, 220/260, 266, 306, 352, 356, 523, 23.8, 220/23.2, 23.83, 23.4, 662, 792-799, 700, 220/701, 703, 711, 713-715, 719;

(Continued)

(56) **References Cited**

U.S. PATENT DOCUMENTS

D287,336 S * 12/1986 Roehrig D3/295
5,921,383 A * 7/1999 Shefler A45C 11/04
206/38

(Continued)

Primary Examiner — Cathron C Brooks

Assistant Examiner — W. A. Teddy Falloway

(74) *Attorney, Agent, or Firm* — Manuel de la Cerra

(57) **CLAIM**

The ornamental design for a food container, as shown and described.

DESCRIPTION

FIG. 1 is a top perspective view of a food container.

FIG. 2 is a bottom perspective view thereof.

FIG. 3 is a top perspective view thereof, attached to a beverage container.

FIG. 4 is a bottom perspective view thereof, attached to a beverage container.

FIG. 5 is a top perspective view thereof, detached from a beverage container and a condiment container.

FIG. 6 is a bottom perspective view thereof, detached from a beverage container and a condiment container.

FIG. 7 is a top view thereof, shown without a beverage container and a condiment container.

FIG. 8 is a bottom view thereof.

FIG. 9 is a front view thereof.

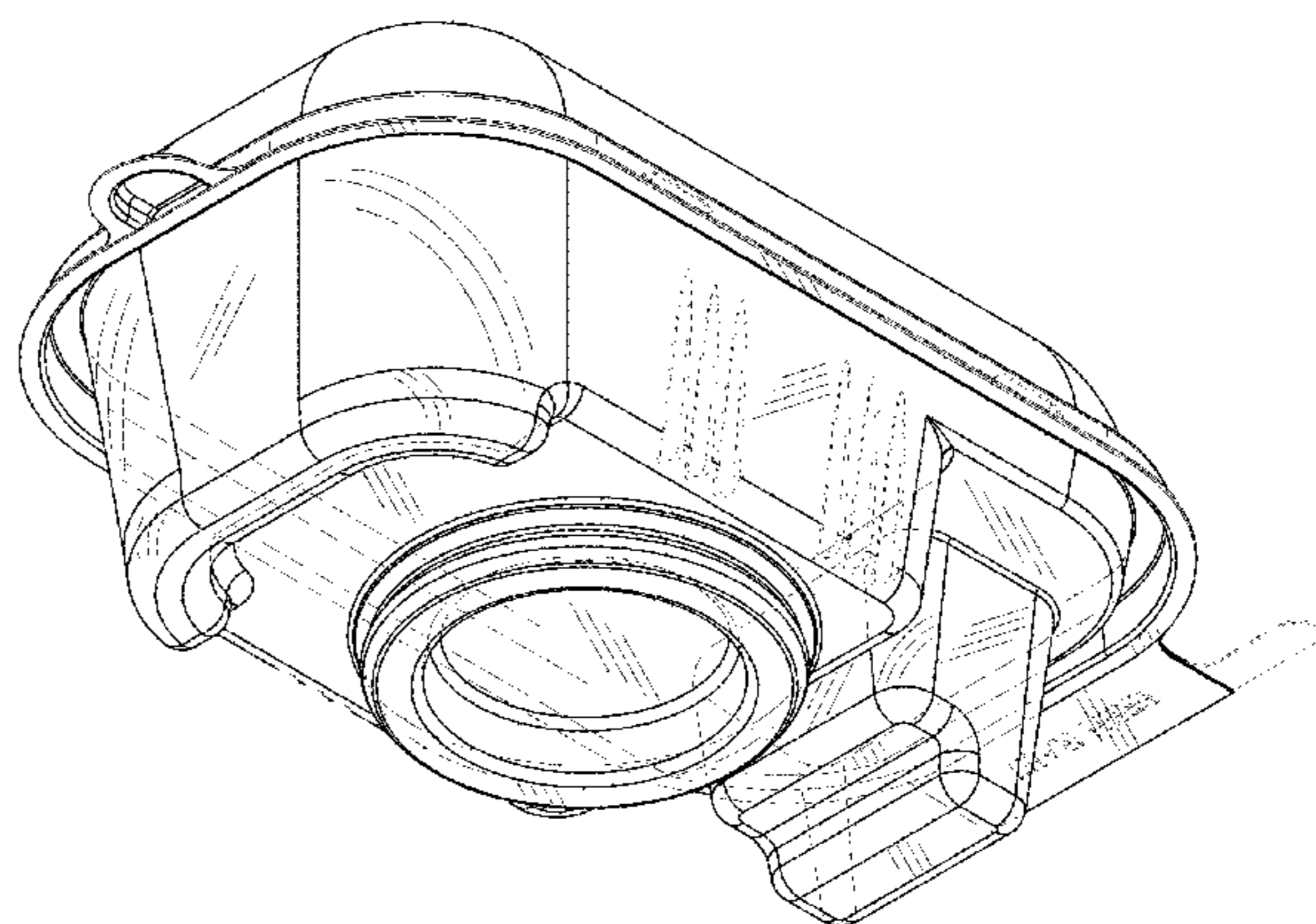
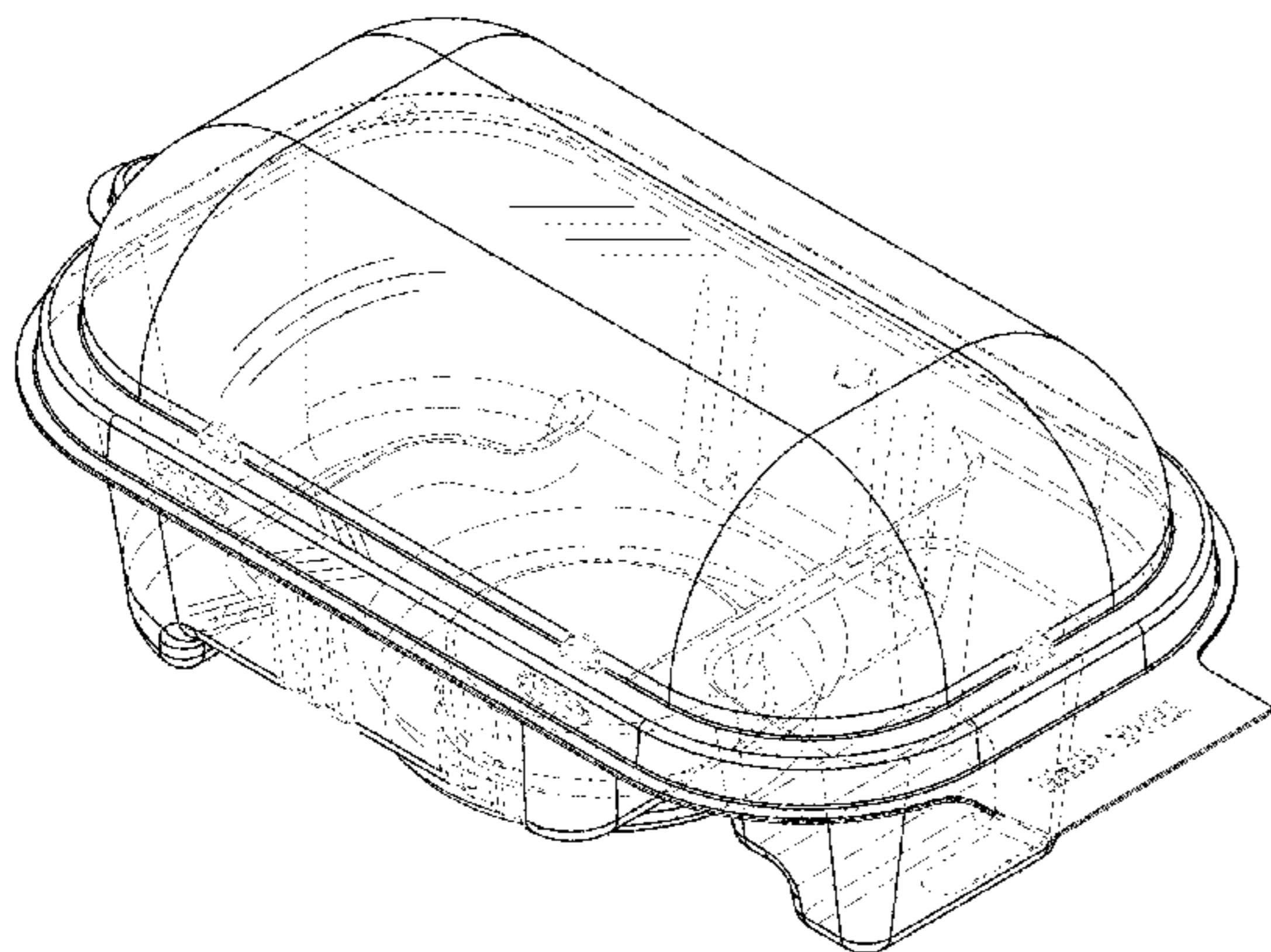
FIG. 10 is a rear view thereof.

FIG. 11 is a right side view thereof; and,

FIG. 12 is a left side view thereof.

The broken lines showing a beverage container and condiment container illustrate environmental structure. All other broken lines illustrate portions of the food container. The broken lines form no part of the claimed design.

1 Claim, 8 Drawing Sheets



US D830,201 S

Page 2

(58) **Field of Classification Search**

USPC 426/106; 229/107, 406, 120, 125.17;
215/211, 200, 224, 243
CPC B65D 1/36; B65D 2543/00194; B65D
2543/00296; B65D 2543/00555; B65D
2581/3425; B65D 25/04; B65D 43/0218;
B65D 2543/00083; B65D 2543/00268;
B65D 2543/00277; B65D 2543/00351;
B65D 81/3453; B65D 43/16; B65D
51/28; B65D 43/162; B65D 1/24; B65D
21/0237; B65D 2543/00101; A47G 19/02;
A47G 19/065; A47G 23/0608

See application file for complete search history.

(56) **References Cited**

U.S. PATENT DOCUMENTS

D504,065 S * 4/2005 Belser D9/423
D587,993 S * 3/2009 Vovan D9/416
D596,935 S * 7/2009 Golota D9/420
D650,267 S * 12/2011 Gibson D9/420

8,240,505 B1 * 8/2012 Chen B65D 43/162
220/4.21
D668,537 S * 10/2012 Sanfilippo D9/423
D674,181 S * 1/2013 Faulkner D24/231
D689,618 S * 9/2013 Valderrama D24/194
D694,102 S * 11/2013 Bellamah D9/424
D740,018 S * 10/2015 Zhang D3/201
D787,930 S * 5/2017 Buck D9/425
9,783,349 B2 * 10/2017 Buck B65D 51/28
D810,421 S * 2/2018 Ross D3/203.1
D823,701 S * 7/2018 Buck D9/761
2006/0124648 A1 * 6/2006 Croft B65D 1/24
220/521
2015/0008217 A1 * 1/2015 Pham B65D 43/162
220/4.23
2015/0136777 A1 * 5/2015 Baillies B65D 43/0235
220/270
2015/0196155 A1 * 7/2015 Green B65D 85/70
426/511
2015/0203269 A1 * 7/2015 Semer A45C 5/005
206/1.5
2017/0203893 A1 * 7/2017 Buck A47G 19/2272

* cited by examiner

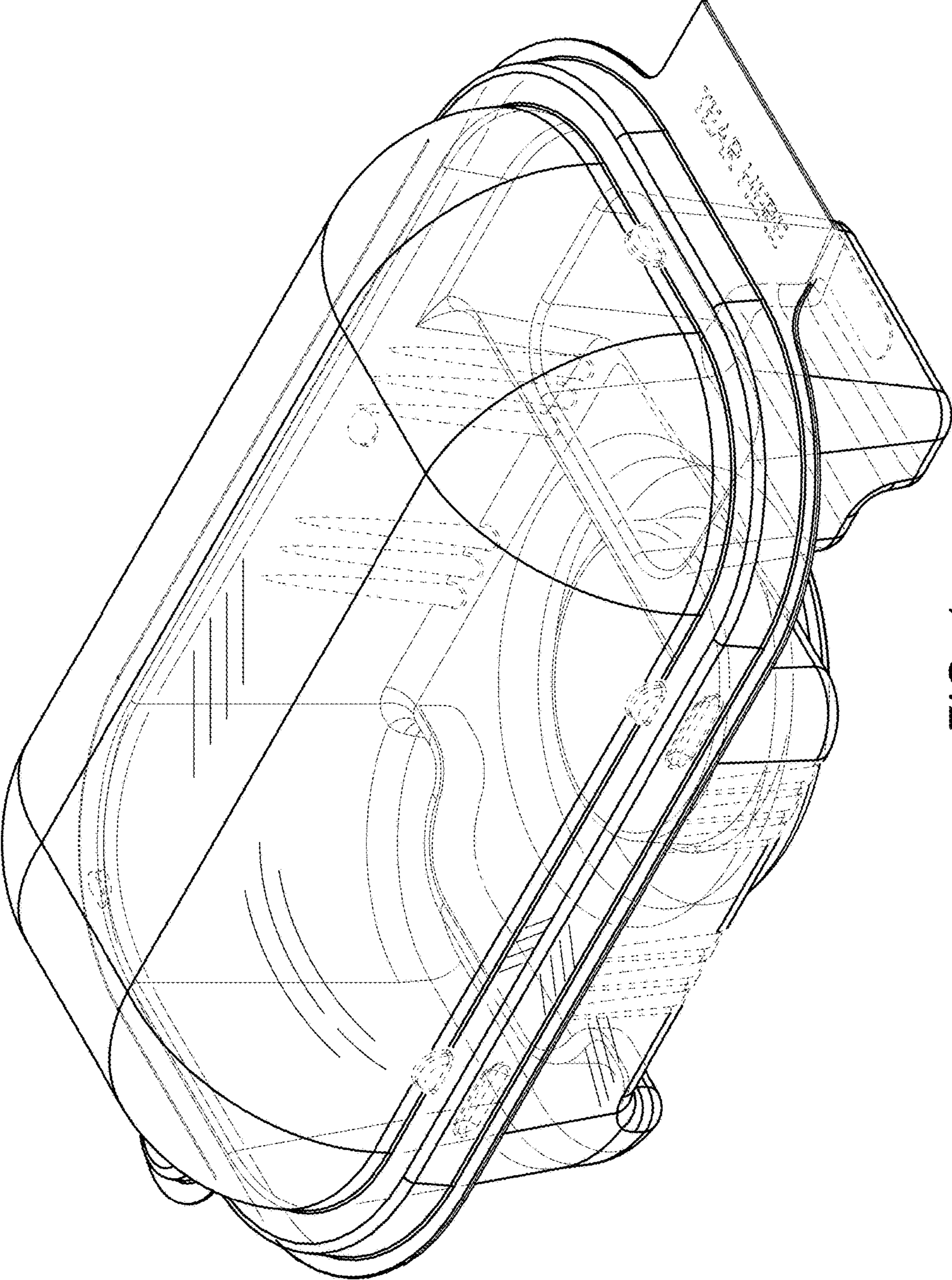


FIG. 1

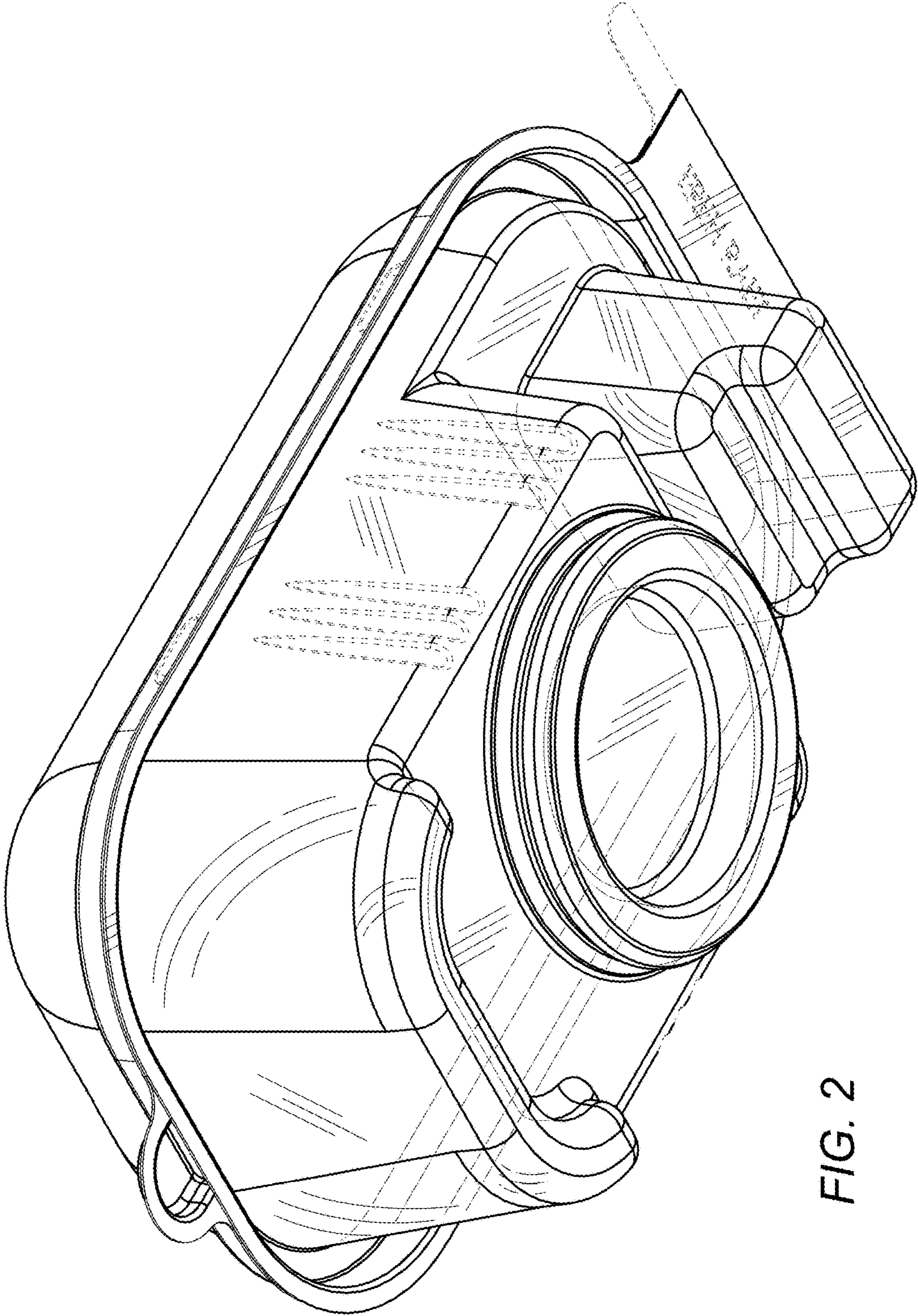


FIG. 2

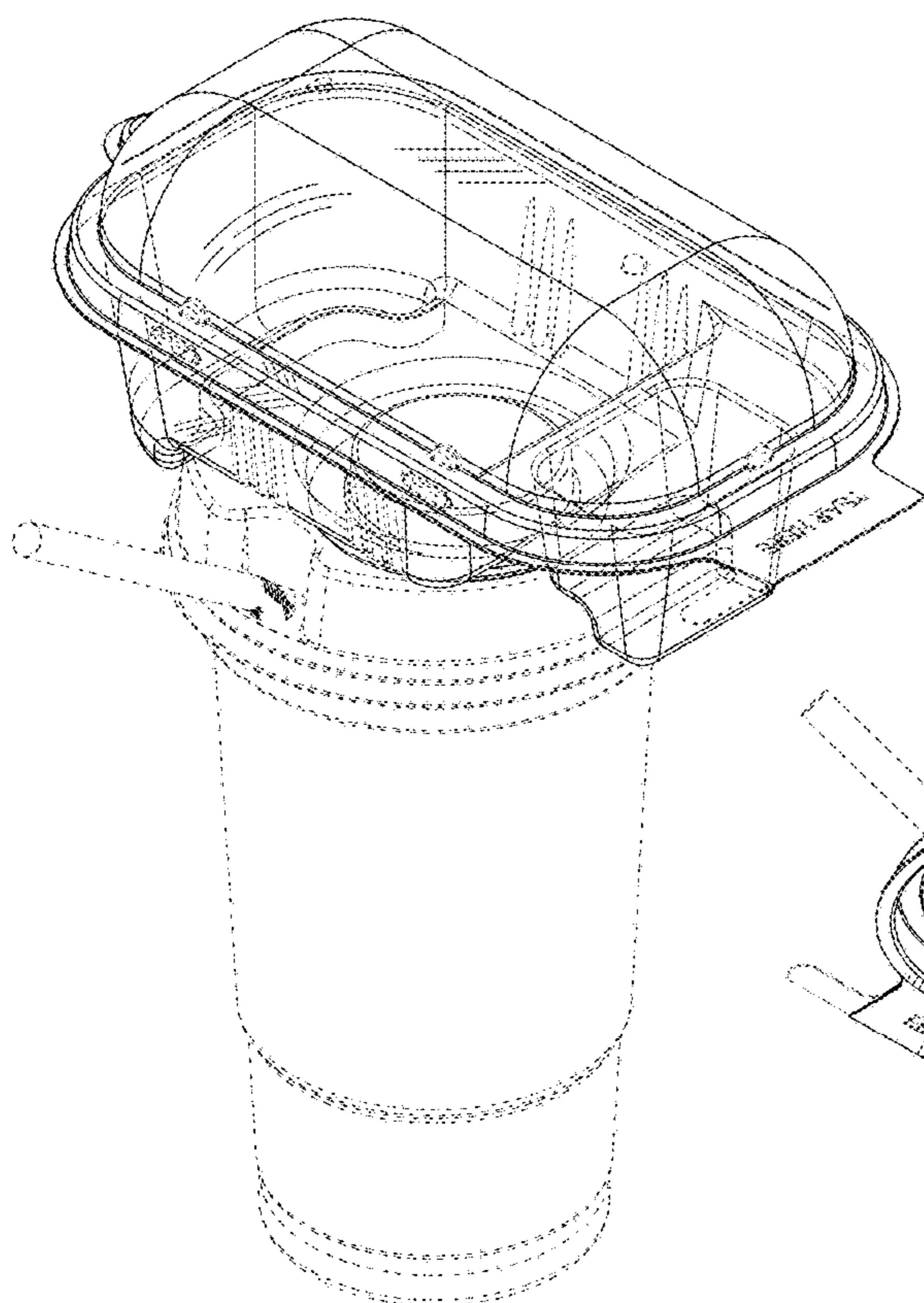


FIG. 3

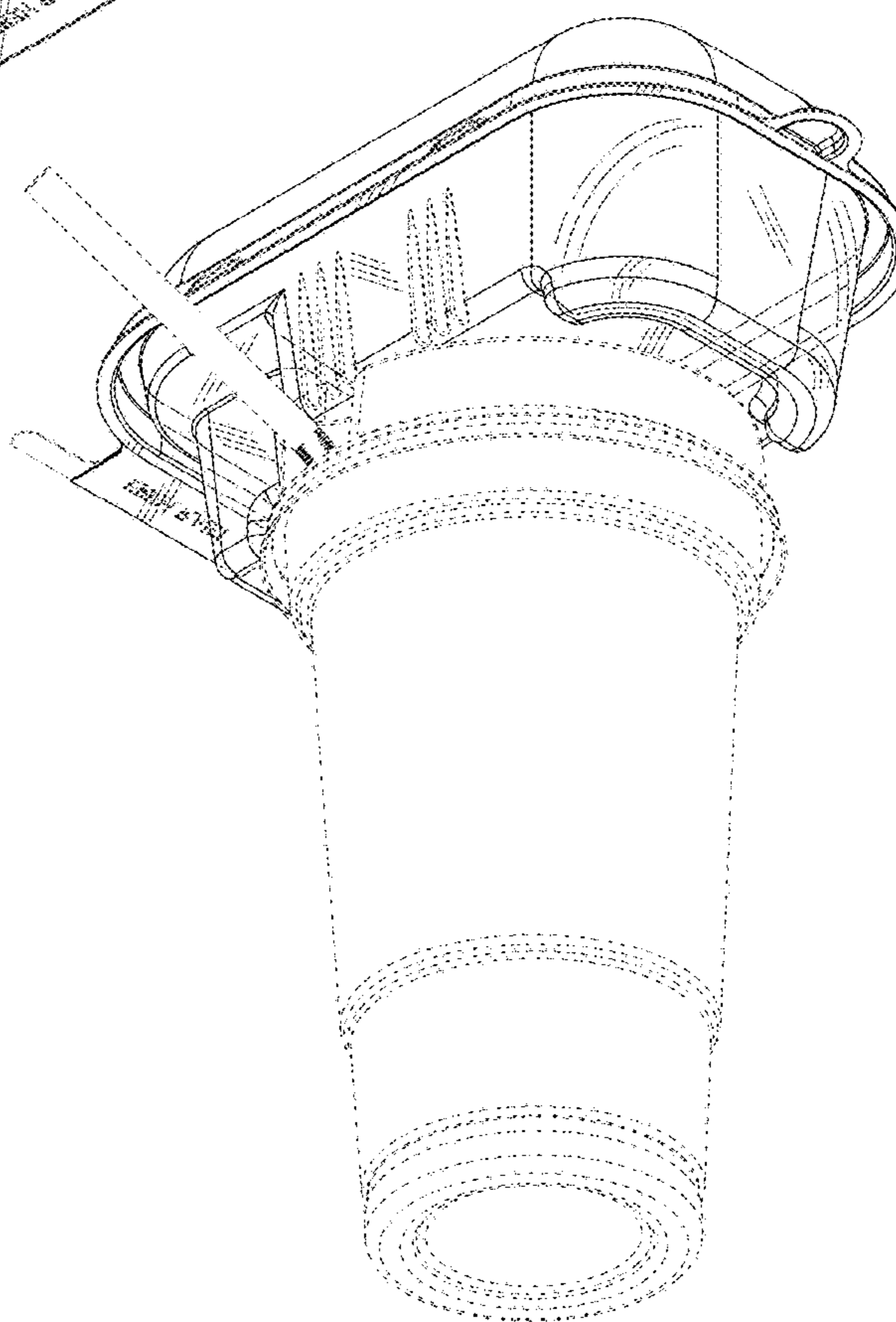


FIG. 4

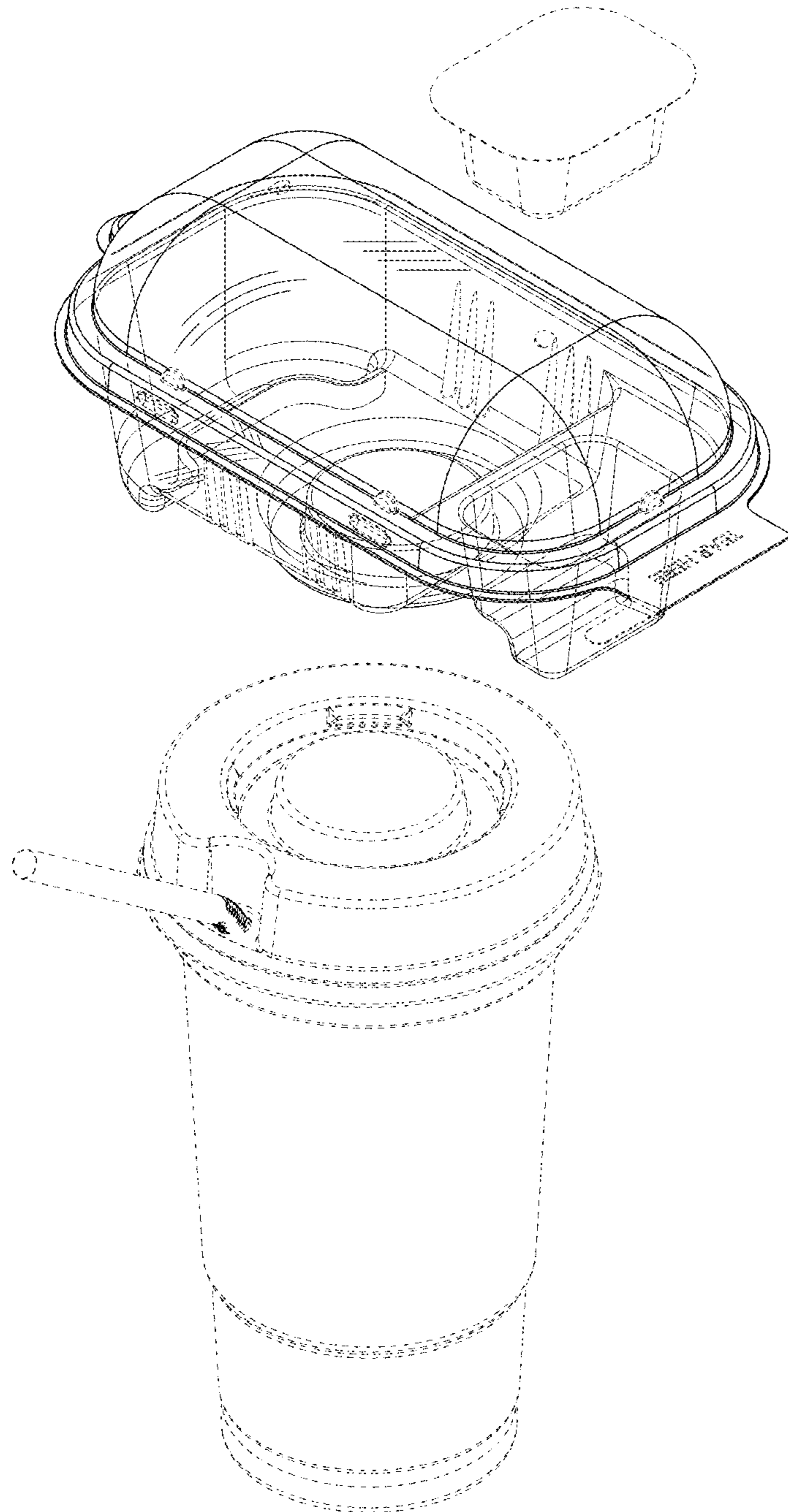


FIG. 5

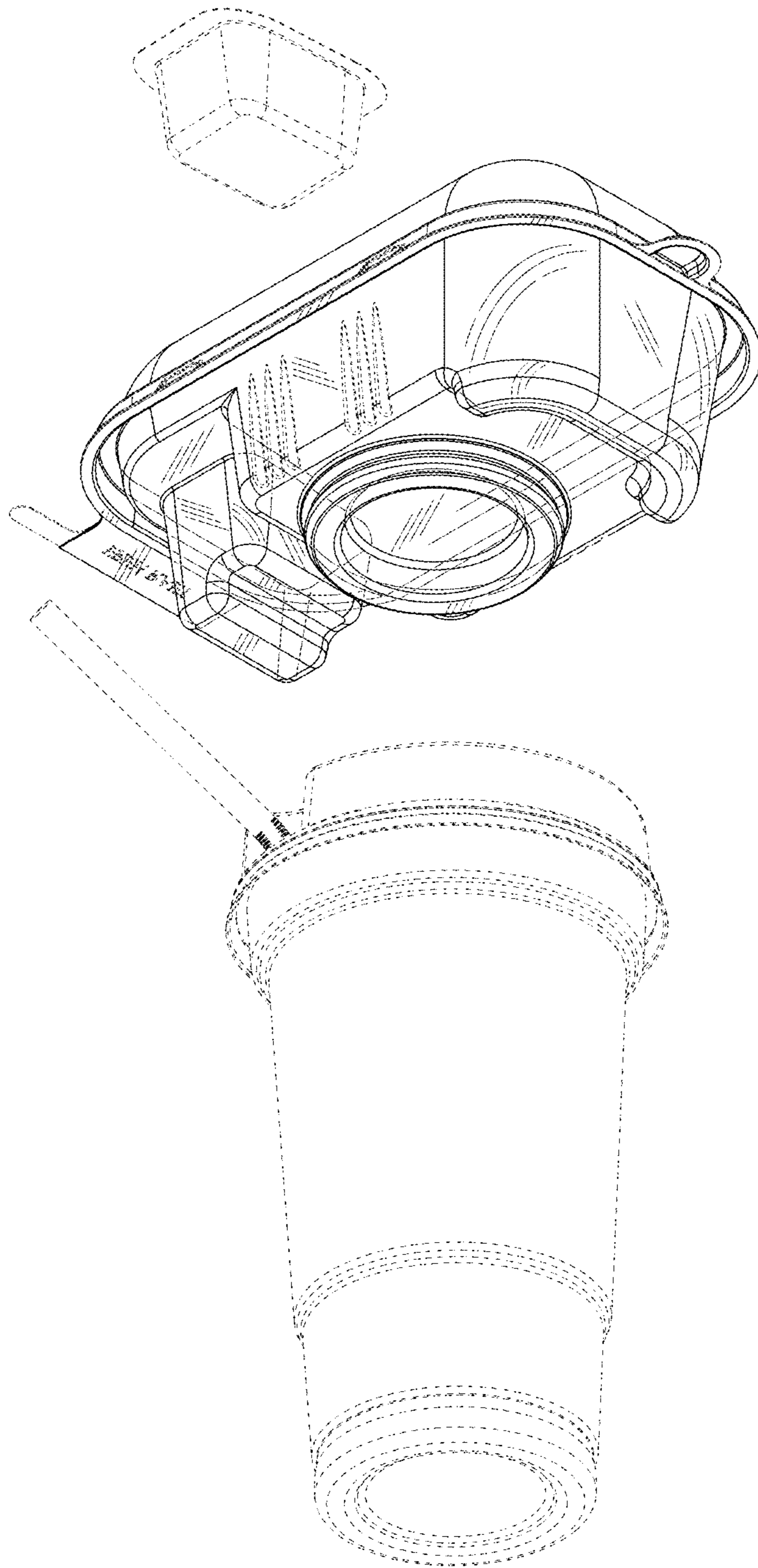


FIG. 6

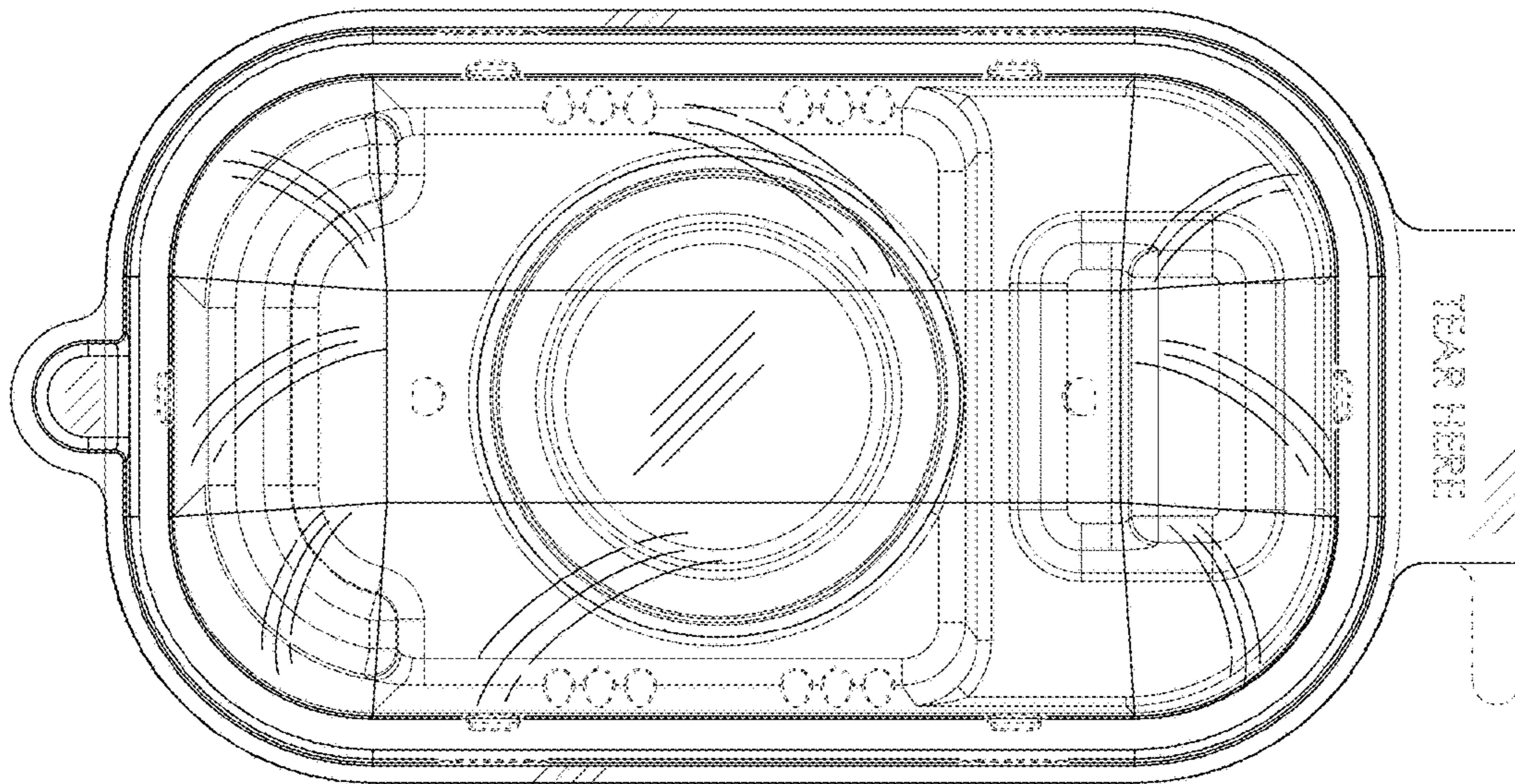


FIG. 7

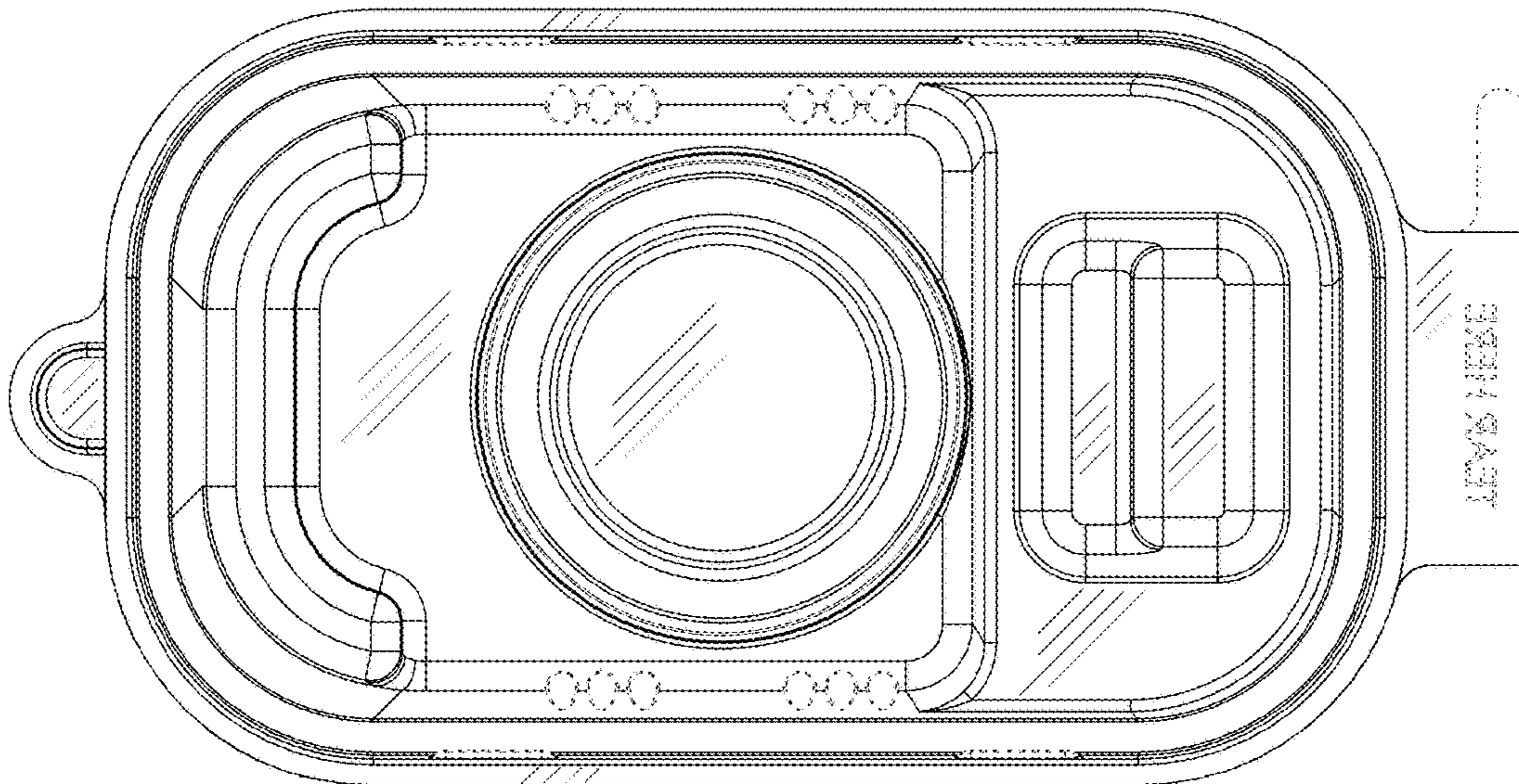


FIG. 8

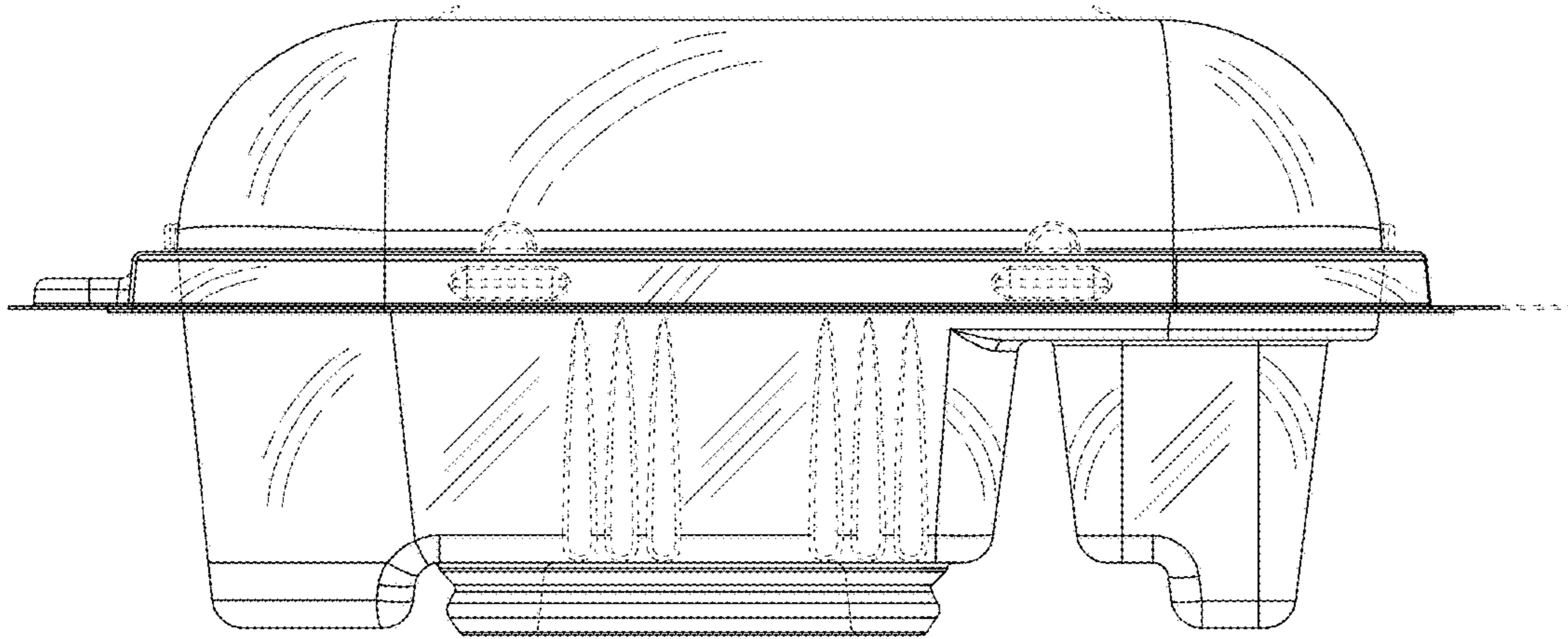


FIG. 9

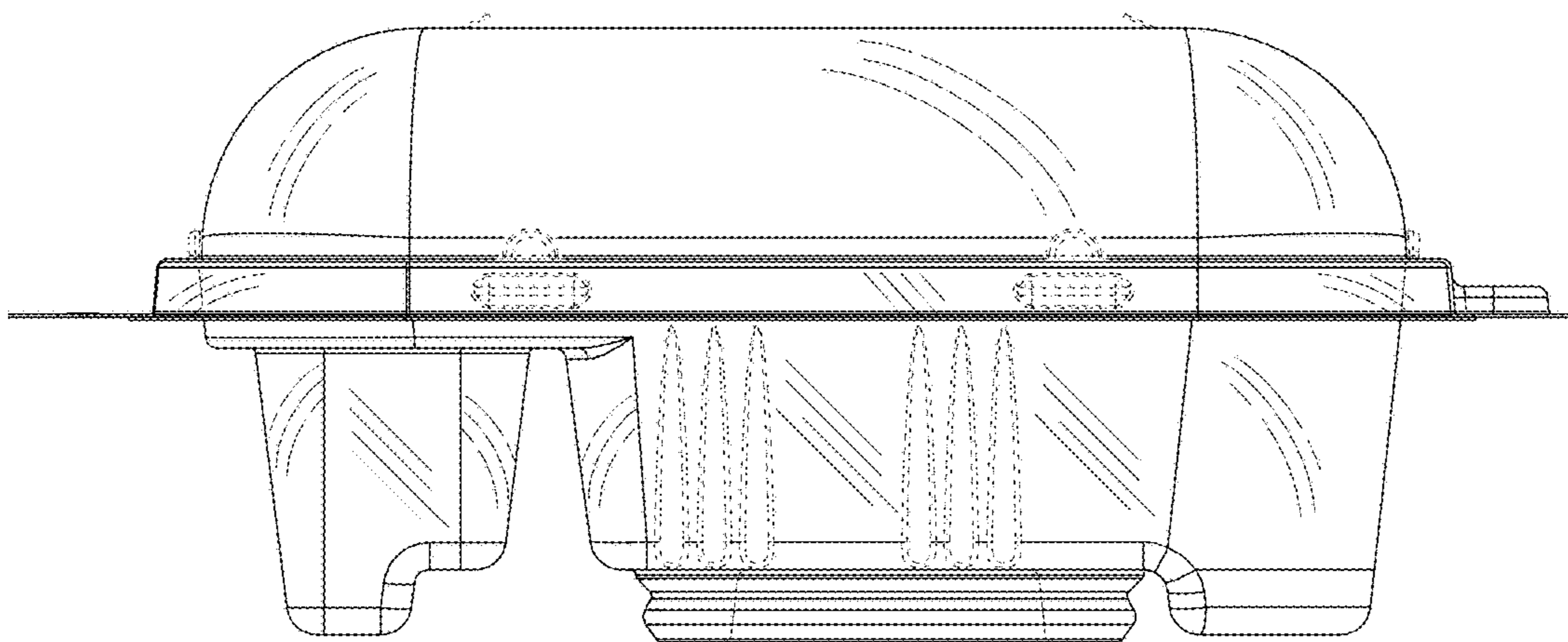


FIG. 10

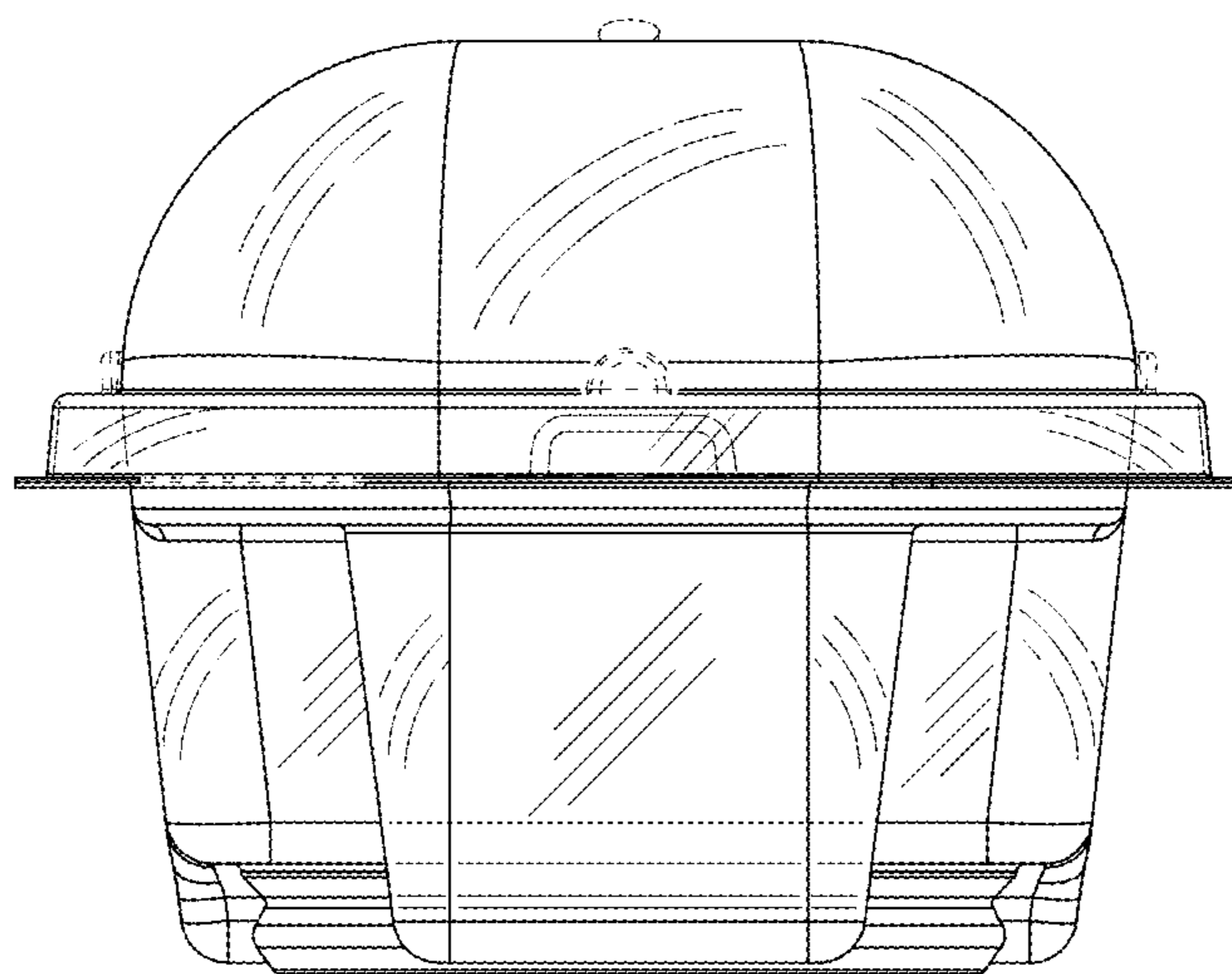


FIG. 11

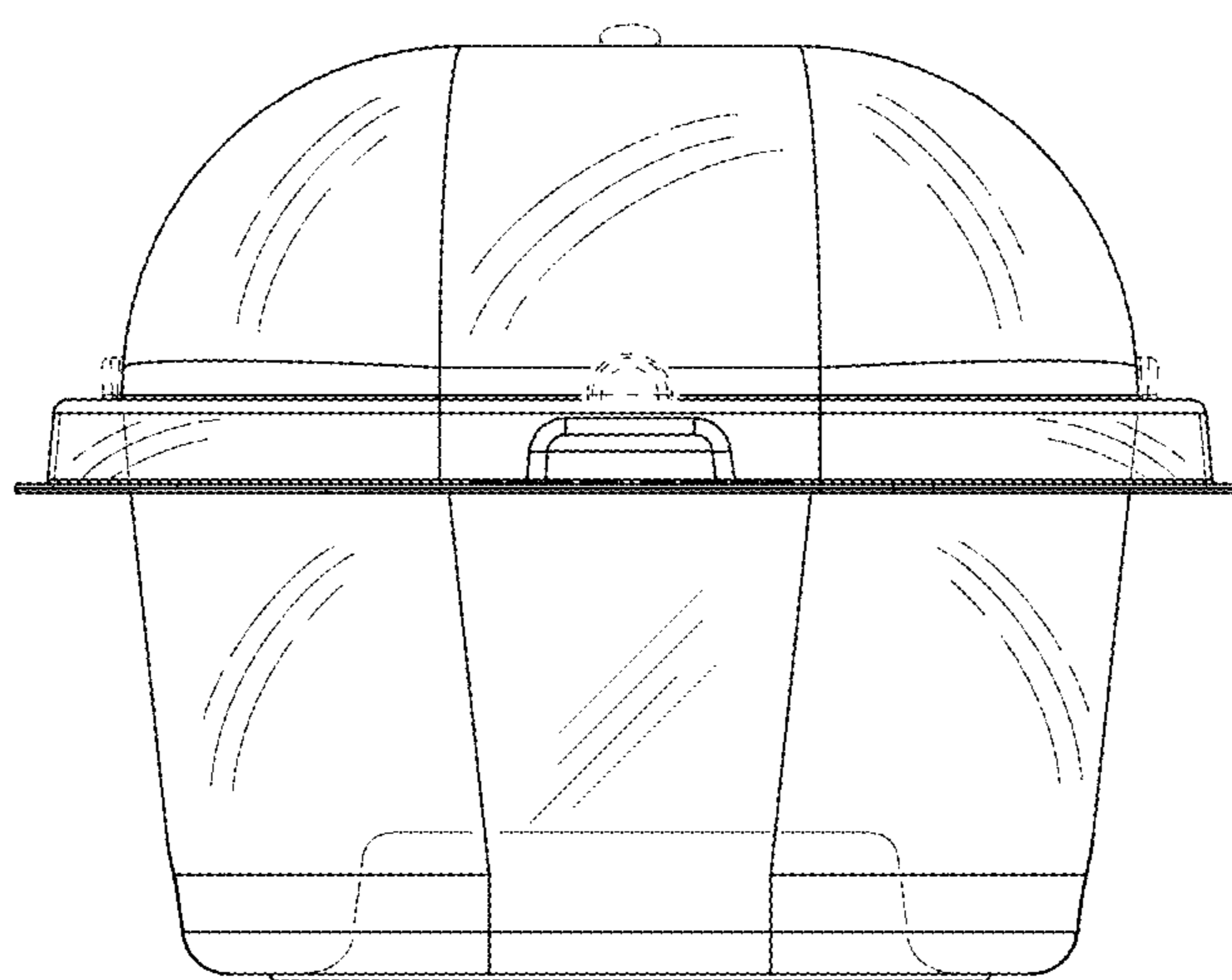


FIG. 12