



US00D830200S

(12) **United States Design Patent**
Kim et al.

(10) **Patent No.:** **US D830,200 S**
(45) **Date of Patent:** **** Oct. 9, 2018**

(54) **HOUSING FOR PACKAGING SEMICONDUCTOR LIGHT EMITTING DEVICE**

(71) Applicant: **SEMICON LIGHT CO., LTD.**,
Gyeonggi-do (KR)
(72) Inventors: **Kyoung Min Kim**, Gyeonggi-do (KR);
Gye Oul Jeong, Gyeonggi-do (KR)
(73) Assignee: **SEMICON LIGHT CO., LTD.**,
Gyeonggi-Do (KR)

(**) Term: **15 Years**
(21) Appl. No.: **29/582,157**
(22) Filed: **Oct. 25, 2016**

(30) **Foreign Application Priority Data**

May 11, 2016 (KR) 30-2016-0022110

(51) **LOC (11) Cl.** **09-01**

(52) **U.S. Cl.**
USPC **D9/744; D26/138**

(58) **Field of Classification Search**

USPC D26/1, 24, 120, 138; D13/180; D9/737,
D9/721, 748, 749, 756, 501, 414, 424,
D9/434, 455-457, 759; D3/304, 295;
D7/550.1, 553.1-553.8, 581, 586, 587;
D24/227, 229, 230; 428/131; 229/120;
220/4.21; 206/733, 528, 486, 485, 427,
206/461, 828

CPC H01J 5/48; H01J 5/50; H01J 19/54; A61B
10/0096; A61B 50/20; A61B 50/30; A61C
2202/00; A61J 1/16; A63B 57/203; B25H
3/003; B44D 3/125; B65D 73/0092;
B65D 81/025

See application file for complete search history.

(56) **References Cited**

U.S. PATENT DOCUMENTS

6,065,596 A * 5/2000 Cavanagh A61B 50/20
206/352

D502,348 S * 3/2005 Mendini D6/553
D502,833 S * 3/2005 Mendini D6/553
D605,610 S * 12/2009 Han D13/180
D645,425 S * 9/2011 Lin D13/180
D647,070 S * 10/2011 Huang D13/180
D647,864 S * 11/2011 Huang D13/180
D648,286 S * 11/2011 Chuang D13/180
D648,630 S * 11/2011 Doster D19/83
D652,808 S * 1/2012 Chang D13/180
D656,106 S * 3/2012 Hsu D13/180
8,415,692 B2 4/2013 Toquin 257/98
8,610,140 B2 12/2013 Joo et al. 257/88
8,748,915 B2 6/2014 Chan et al. 257/91
D790,964 S * 7/2017 Akana D9/424
D793,001 S * 7/2017 Kim D26/120
D793,618 S * 8/2017 Kim D26/120

(Continued)

Primary Examiner — Cathron C Brooks

Assistant Examiner — W. A. Teddy Falloway

(74) *Attorney, Agent, or Firm* — Harness, Dickey &
Pierce, P.L.C.

(57)

CLAIM

The ornamental design for a housing for packaging semi-conductor light emitting device, as shown and described.

DESCRIPTION

FIG. 1 is a perspective view of a housing for packaging semiconductor light emitting device, showing our new design;

FIG. 2 is a front view thereof;

FIG. 3 is a rear view thereof;

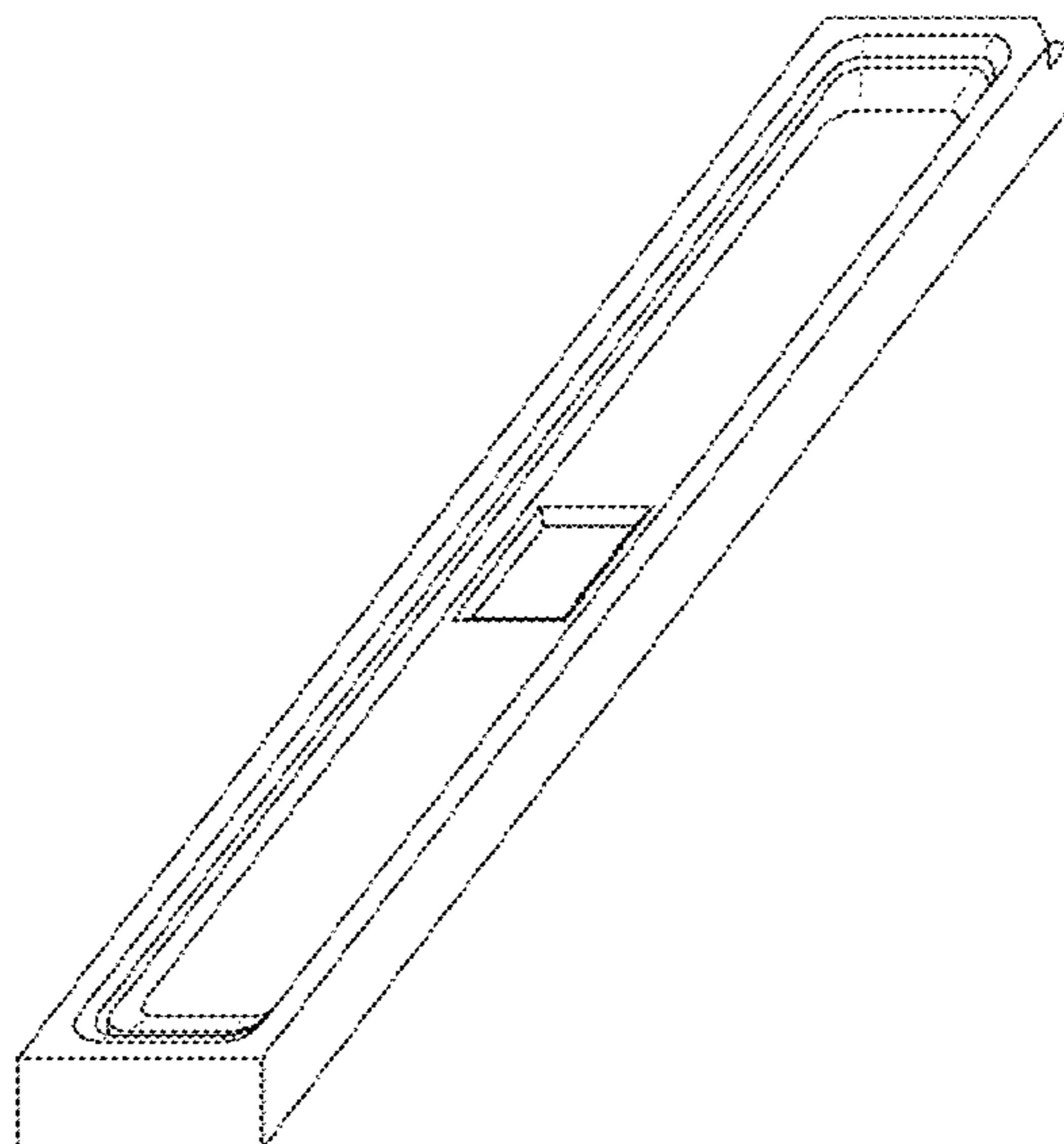
FIG. 4 is a left side view thereof;

FIG. 5 is a right side view thereof;

FIG. 6 is a top view thereof; and,

FIG. 7 is a bottom view thereof.

1 Claim, 6 Drawing Sheets



(56)

References Cited

U.S. PATENT DOCUMENTS

D795,492 S * 8/2017 Kim D26/120
D800,337 S * 10/2017 Daines D24/227
2016/0064993 A1* 3/2016 Fetterman H02J 7/0044
320/137

* cited by examiner

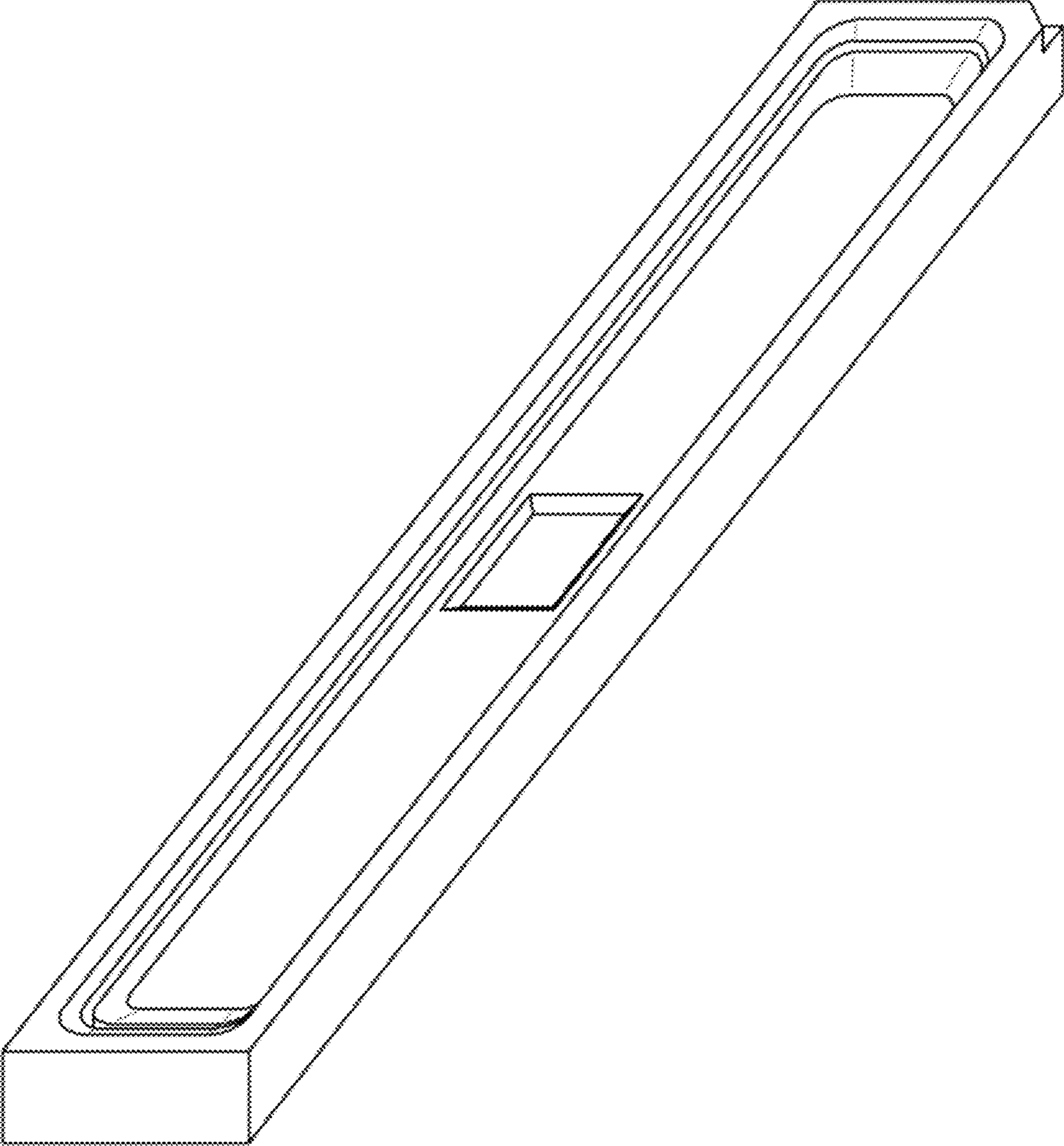


FIG. 1



FIG. 2

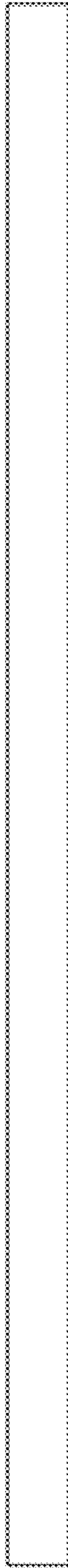


FIG. 3



FIG. 4



FIG. 5

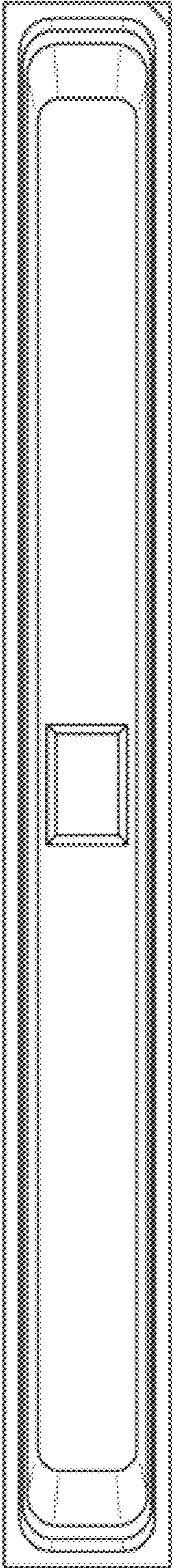


FIG. 6

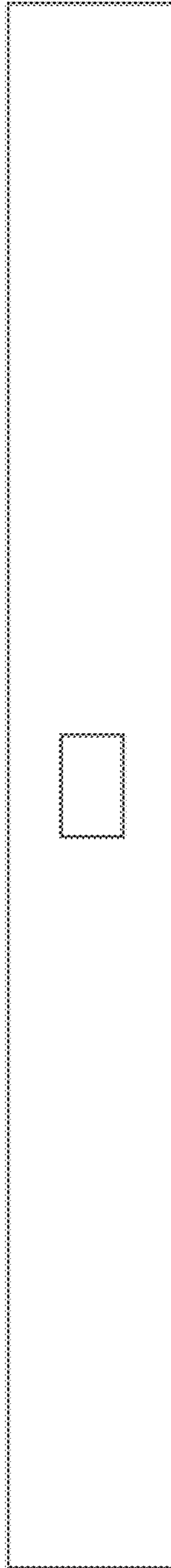


FIG. 7