



US00D830195S

(12) **United States Design Patent** (10) **Patent No.:** **US D830,195 S**  
**Wiesman et al.** (45) **Date of Patent:** **\*\* Oct. 9, 2018**

(54) **GEL CONTAINER**

(71) Applicant: **Wiesman Holdings, LLC**, York, PA (US)

(72) Inventors: **Jon Wiesman**, York, PA (US); **Ryan Dohm**, York, PA (US)

(73) Assignee: **Wiesman Holdings, LLC**, York, PA (US)

(\*\*) Term: **15 Years**

(21) Appl. No.: **29/614,936**

(22) Filed: **Aug. 24, 2017**

(51) **LOC (11) Cl.** ..... **09-05**

(52) **U.S. Cl.**  
USPC ..... **D9/707**

(58) **Field of Classification Search**  
USPC ..... D9/702-714, 443, 447, 499, 516-517, D9/523, 524, 526, 528, 530, 719, 572; D24/118, 207, 108; 383/6, 9, 22, 96, 383/61.1, 80-81, 104, 901, 63, 203, 107, 383/119-120, 123, 61.2, 44; 220/675, 220/495.03, 200, 288; 215/381-385, 400, 215/328, 316, 200, 217; 206/484; D3/202; 428/34.3, 35.2; 222/92, 215, 222/95, 107; 604/408, 403, 415  
CPC ..... B65D 35/00; B65D 35/08; B65D 11/00; B65D 11/04; B65D 1/00; B65D 1/02; B65D 1/023; B65D 1/32; B65D 33/00; B65D 33/02; B65D 33/04; B65D 33/24  
See application file for complete search history.

(56) **References Cited**

U.S. PATENT DOCUMENTS

5,292,035 A 3/1994 Millar  
5,307,955 A 5/1994 Viegas

5,655,687 A 8/1997 Fitten et al.  
5,667,107 A 9/1997 Lindsey  
5,927,566 A 7/1999 Mueller  
6,079,594 A 6/2000 Brown et al.  
6,131,806 A 10/2000 Hess, III et al.  
6,152,324 A 11/2000 Baudin  
6,705,492 B2 3/2004 Lowry  
D619,906 S \* 7/2010 Carignan ..... D9/708  
7,874,466 B2 1/2011 McConville et al.  
D638,719 S 5/2011 Sander  
D664,862 S 8/2012 Smith et al.  
D772,075 S \* 11/2016 Bell ..... D9/708  
D777,043 S \* 1/2017 Temple ..... D9/707  
D790,362 S \* 6/2017 Bell ..... D9/708  
D809,401 S \* 2/2018 Wiesman ..... D9/708  
D814,315 S \* 4/2018 Bell ..... D9/708

\* cited by examiner

*Primary Examiner* — Abraham Bahta

(74) *Attorney, Agent, or Firm* — Barley Snyder

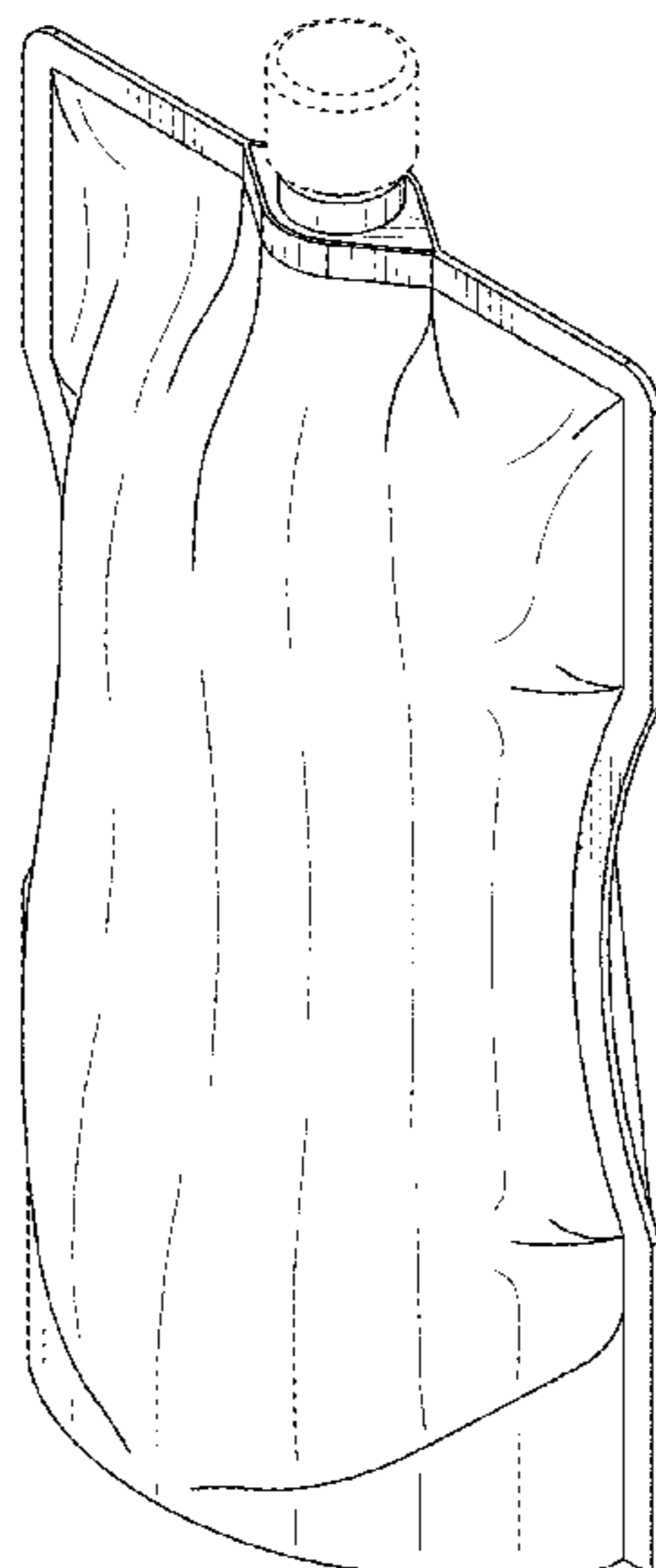
(57) **CLAIM**

The ornamental design for a gel container, as shown and described.

**DESCRIPTION**

FIG. 1 is a front, top and right side perspective view of a gel container;  
FIG. 2 is a top plan view thereof;  
FIG. 3 is a front elevation view thereof;  
FIG. 4 is a left side elevation view thereof;  
FIG. 5 is a rear elevation view thereof;  
FIG. 6 is a right side elevation view thereof;  
FIG. 7 is a bottom plan view thereof; and,  
FIG. 8 is a front, bottom and right side perspective view of the gel container.  
The broken lines shown in the Figures are included to show unclaimed subject matter only and form no part of the claimed design.

**1 Claim, 4 Drawing Sheets**



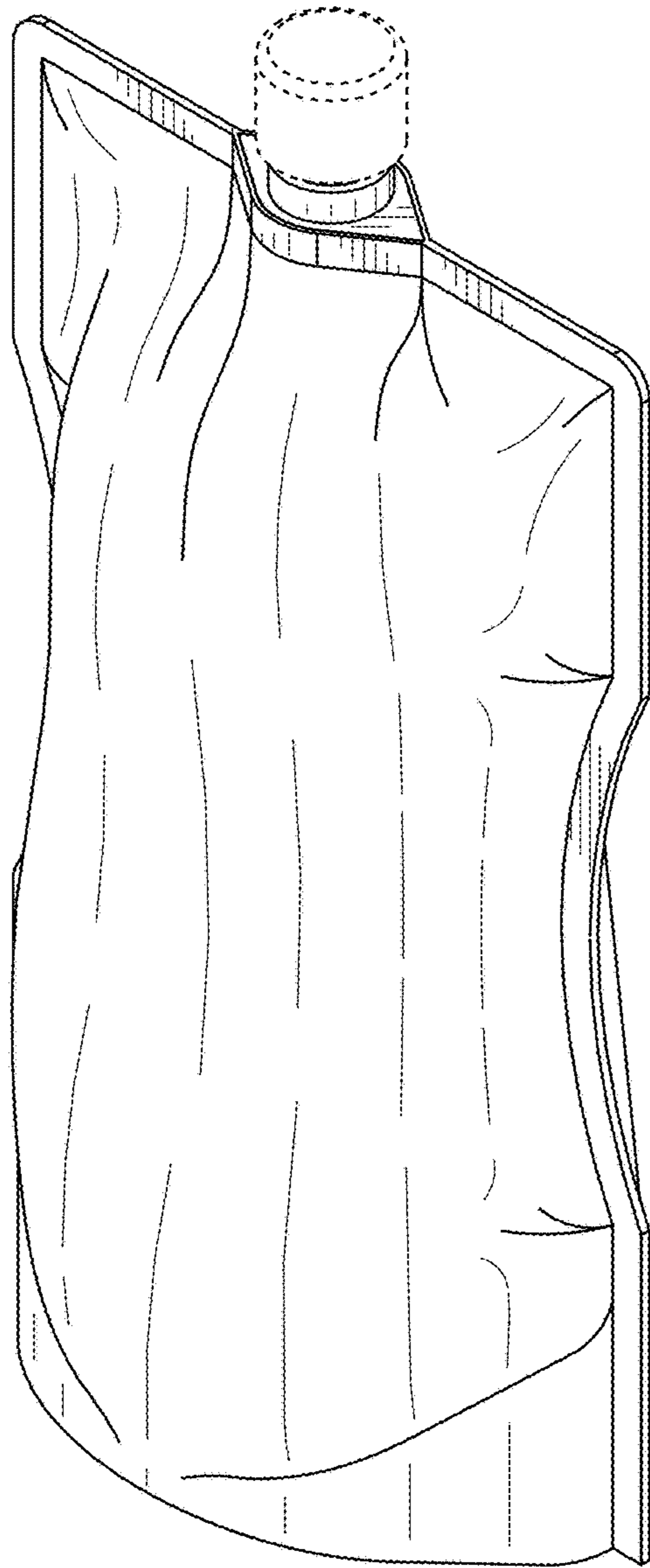


FIG. 1

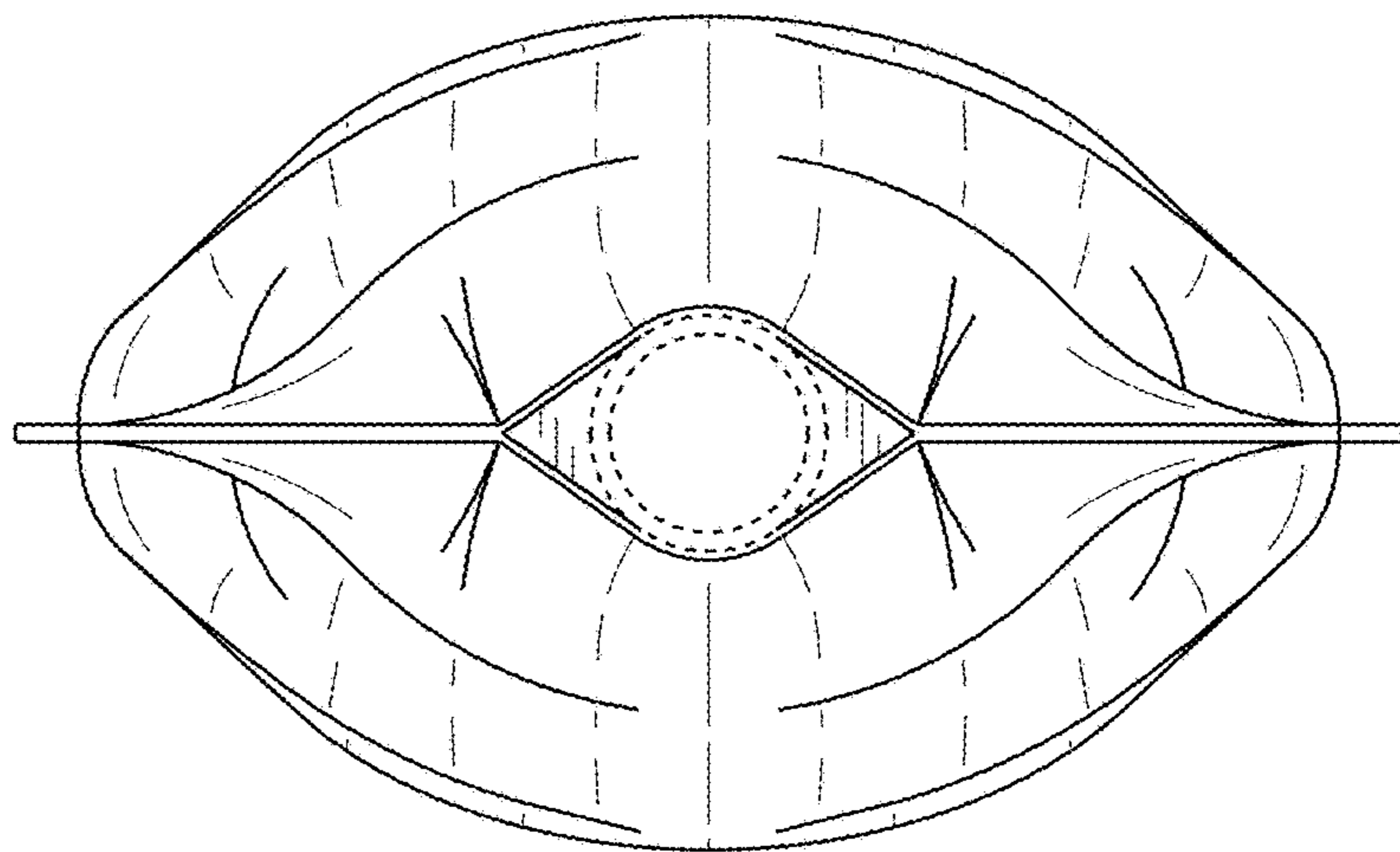


FIG. 2

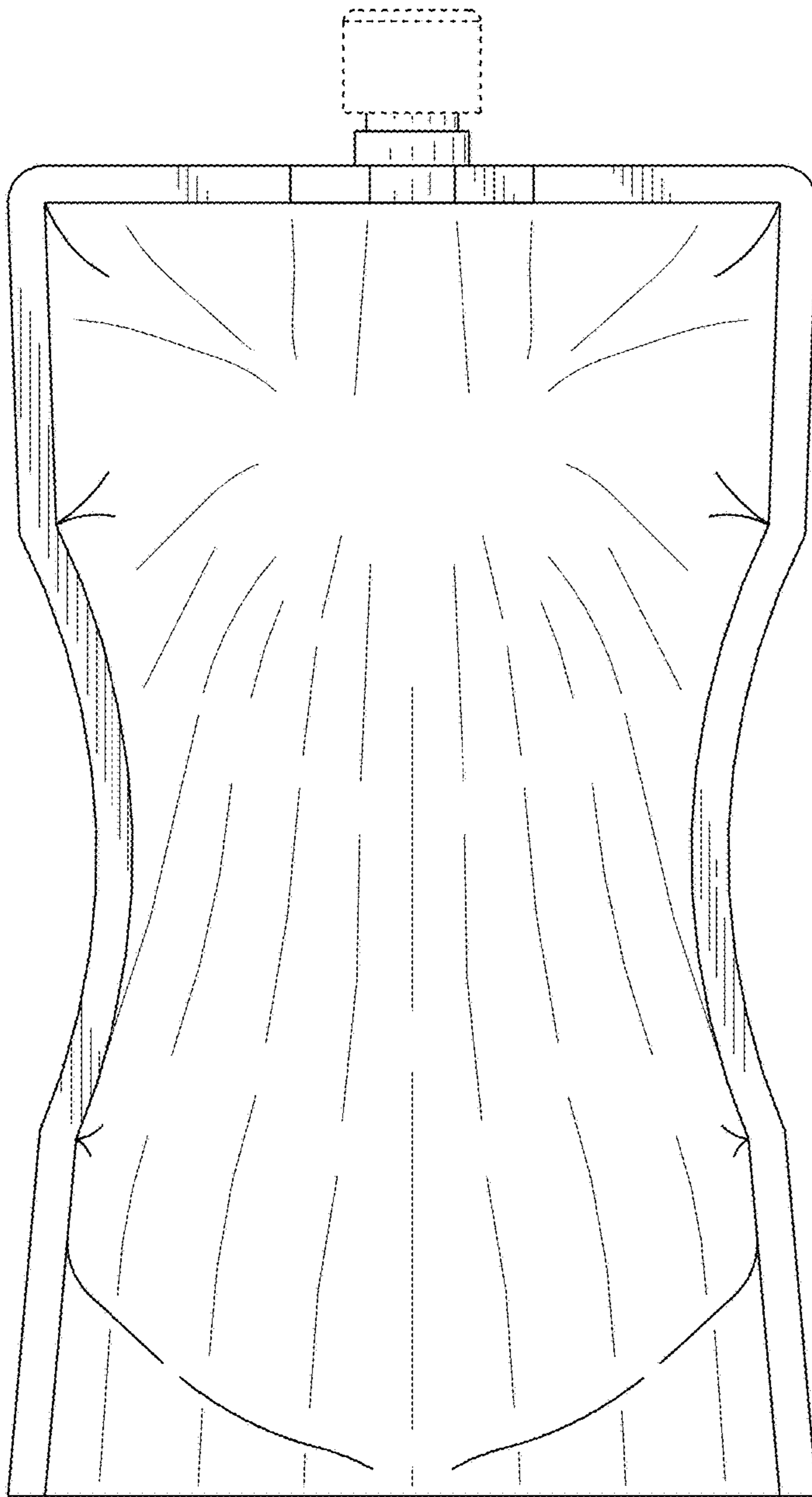


FIG. 3

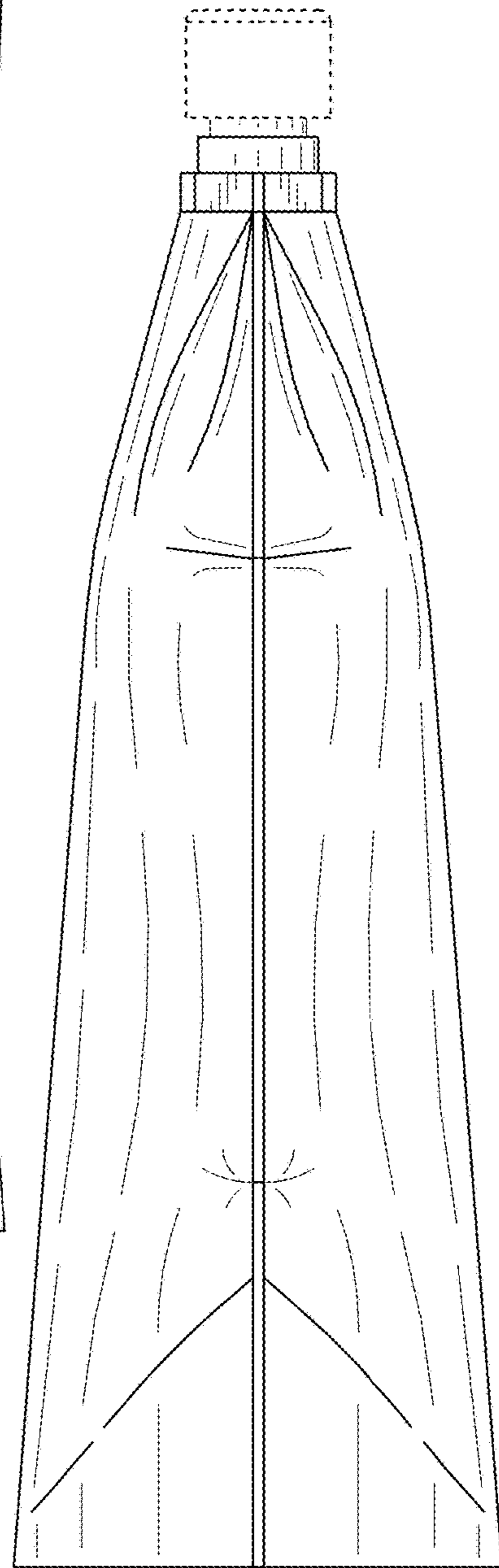


FIG. 4

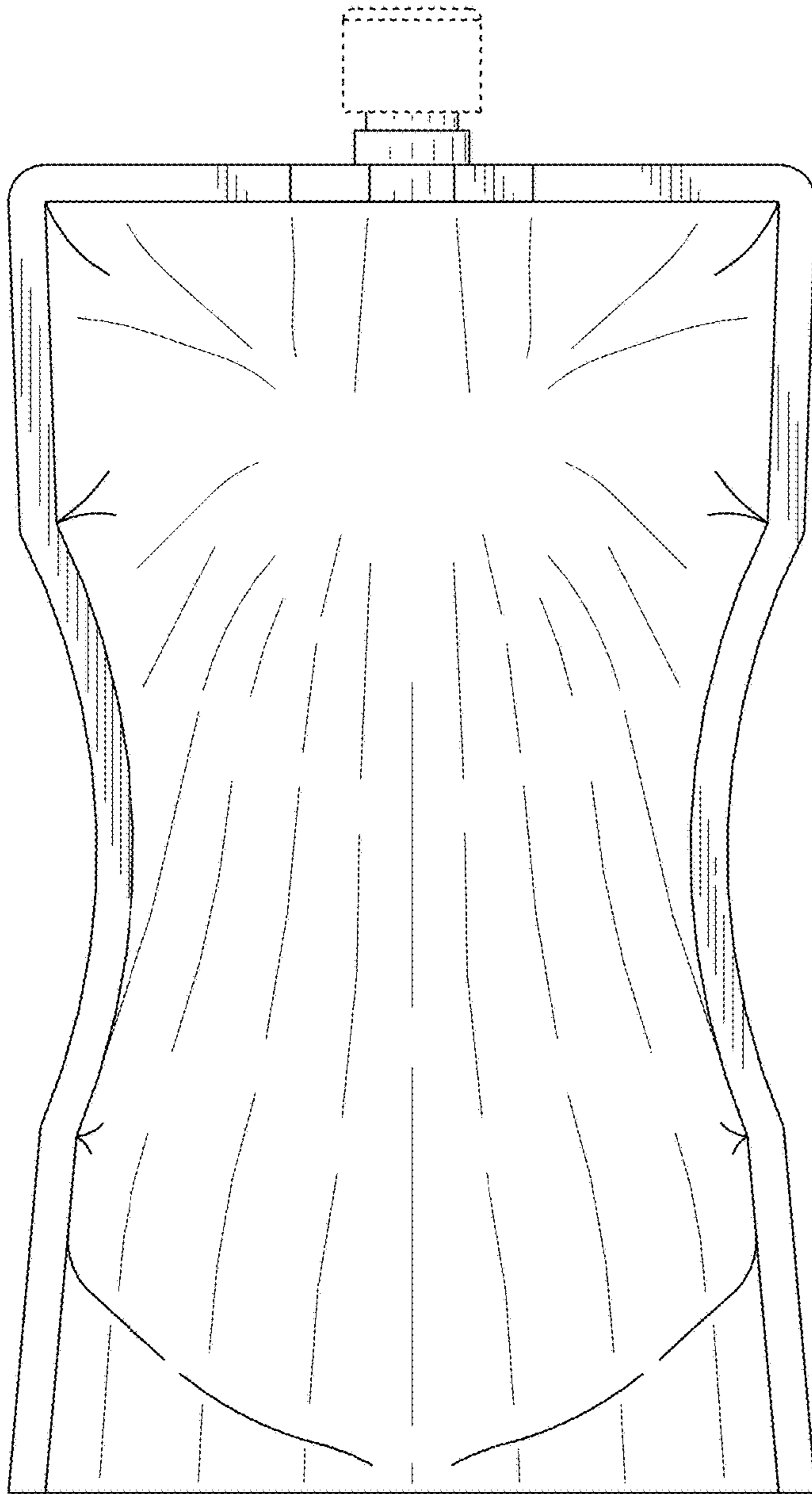


FIG. 5

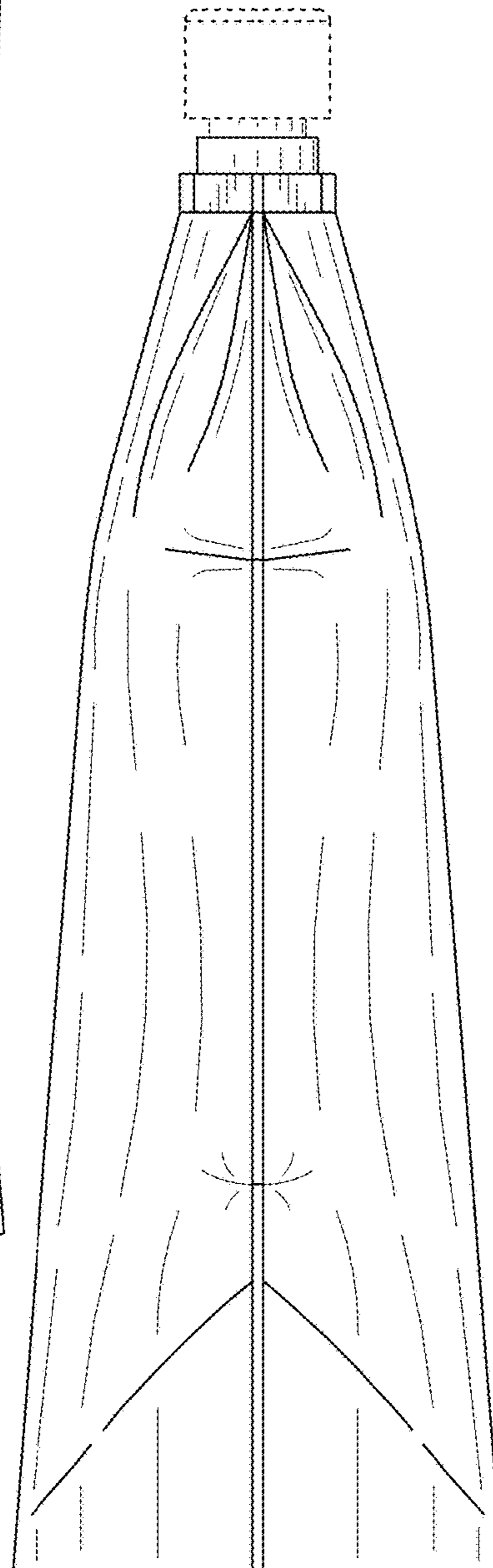


FIG. 6

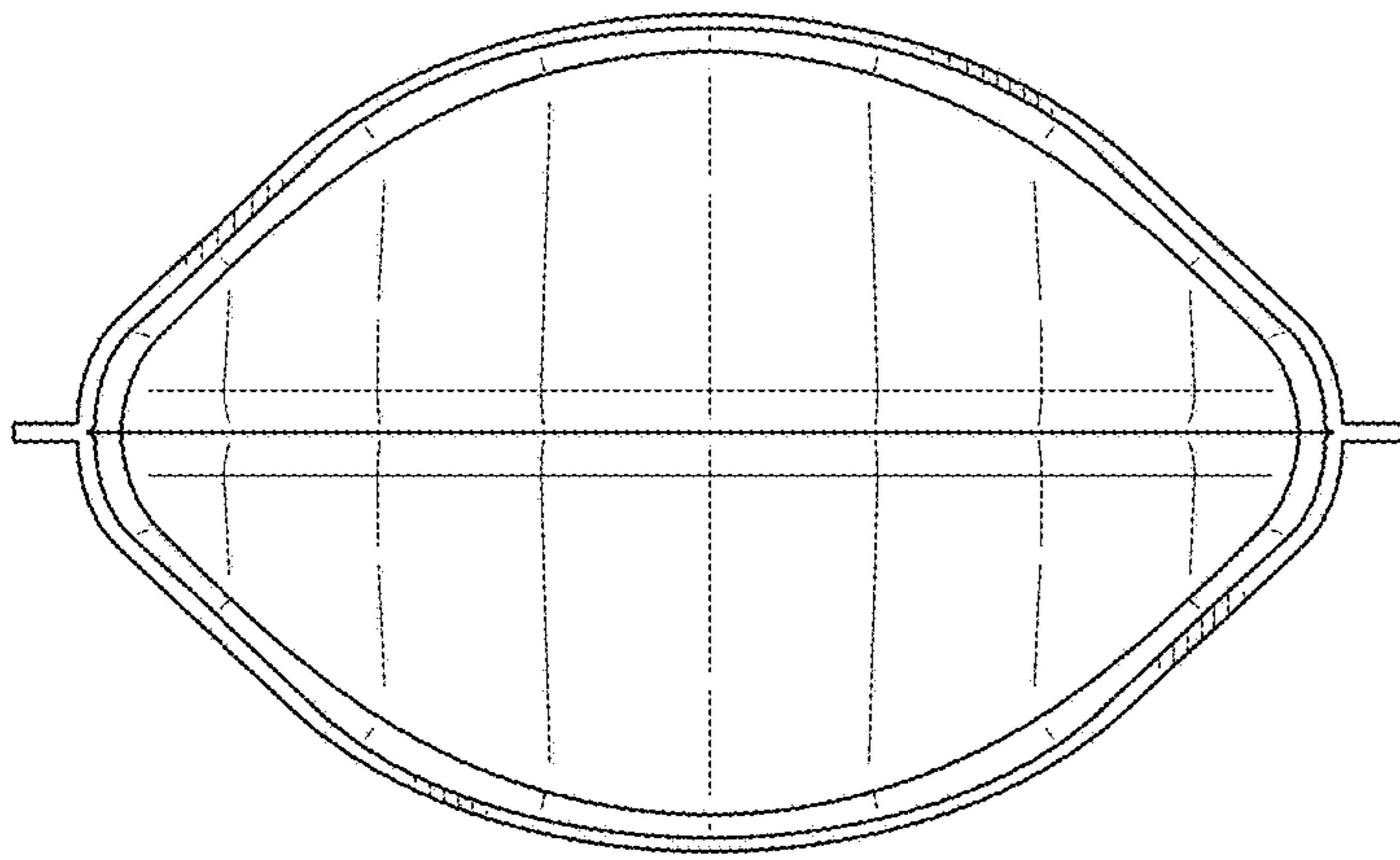


FIG. 7

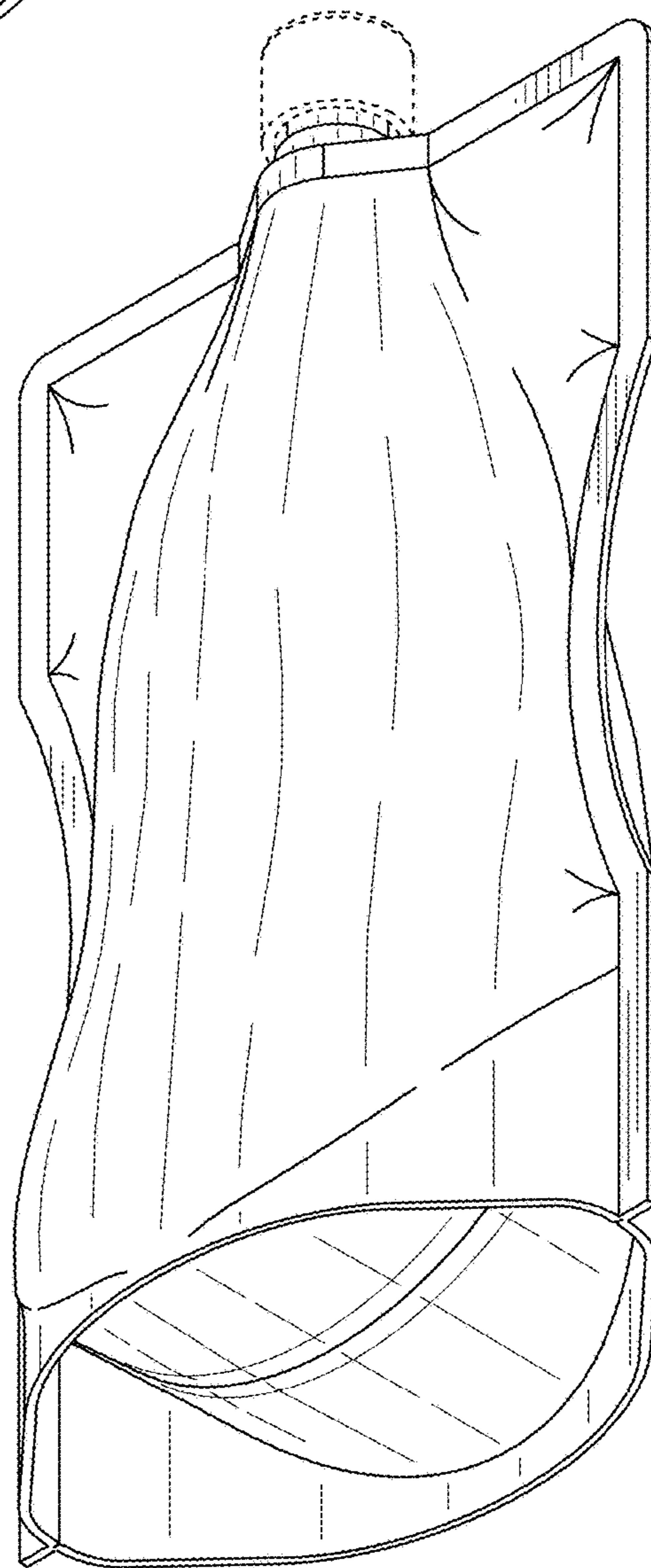


FIG. 8