

US00D830189S

(12) **United States Design Patent**
Fujimoto et al.

(10) **Patent No.:** **US D830,189 S**
(45) **Date of Patent:** **** Oct. 9, 2018**

(54) **BOTTLE**

D260,610 S * 9/1981 Grip D9/571
D276,138 S 10/1984 Sebire
D280,385 S 9/1985 Dinand
(Continued)

(71) Applicant: **SUNTORY HOLDINGS LIMITED**,
Osaka (JP)

(72) Inventors: **Katsuyuki Fujimoto**, Tokyo (JP);
Gentatsu Seki, Tokyo (JP)

(73) Assignee: **SUNTORY HOLDINGS LIMITED**,
Osaka (JP)

(**) Term: **15 Years**

(21) Appl. No.: **29/587,728**

(22) Filed: **Dec. 15, 2016**

Related U.S. Application Data

(63) Continuation of application No. 29/566,223, filed on
May 27, 2016, now Pat. No. Des. 777,038.

(51) **LOC (11) Cl.** **09-01**

(52) **U.S. Cl.**
USPC **D9/563; D9/544**

(58) **Field of Classification Search**
USPC D9/516, 544, 560, 563, 572-573, 574,
D9/520, 566, 715, 719; 215/382-384;
220/660, 669, 675

See application file for complete search history.

(56) **References Cited**

U.S. PATENT DOCUMENTS

D18,997 S 4/1889 Underhill
D21,285 S 1/1892 Tatum
D27,320 S 7/1897 Murphy
D41,238 S 3/1911 Brawner
D88,152 S * 11/1932 Kahn D9/546
2,029,743 A 2/1936 Spender
D120,846 S * 5/1940 Ireys D9/563
D260,367 S * 8/1981 Grip D9/571

FOREIGN PATENT DOCUMENTS

CA 135663 1/2011
CN 200730321260.X 11/2008
(Continued)

OTHER PUBLICATIONS

DJLimbrey D1 Potato Vodka bottle photographs, <http://d1londonspirits.co.uk/d1-potato-vodka/>, dated Feb. 10, 2016, 6 pages.
(Continued)

Primary Examiner — Dana Meyrow

(74) *Attorney, Agent, or Firm* — Greenblum & Bernstein,
P.L.C.

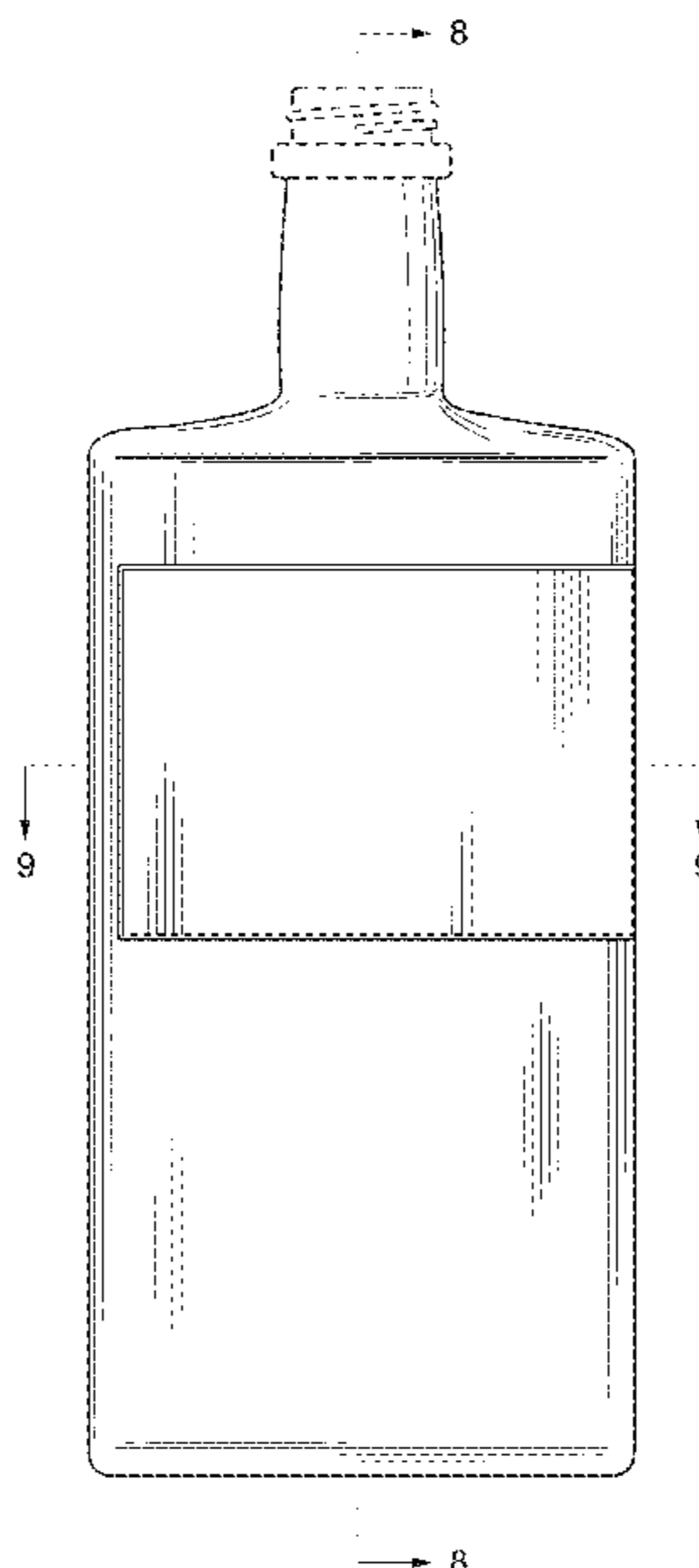
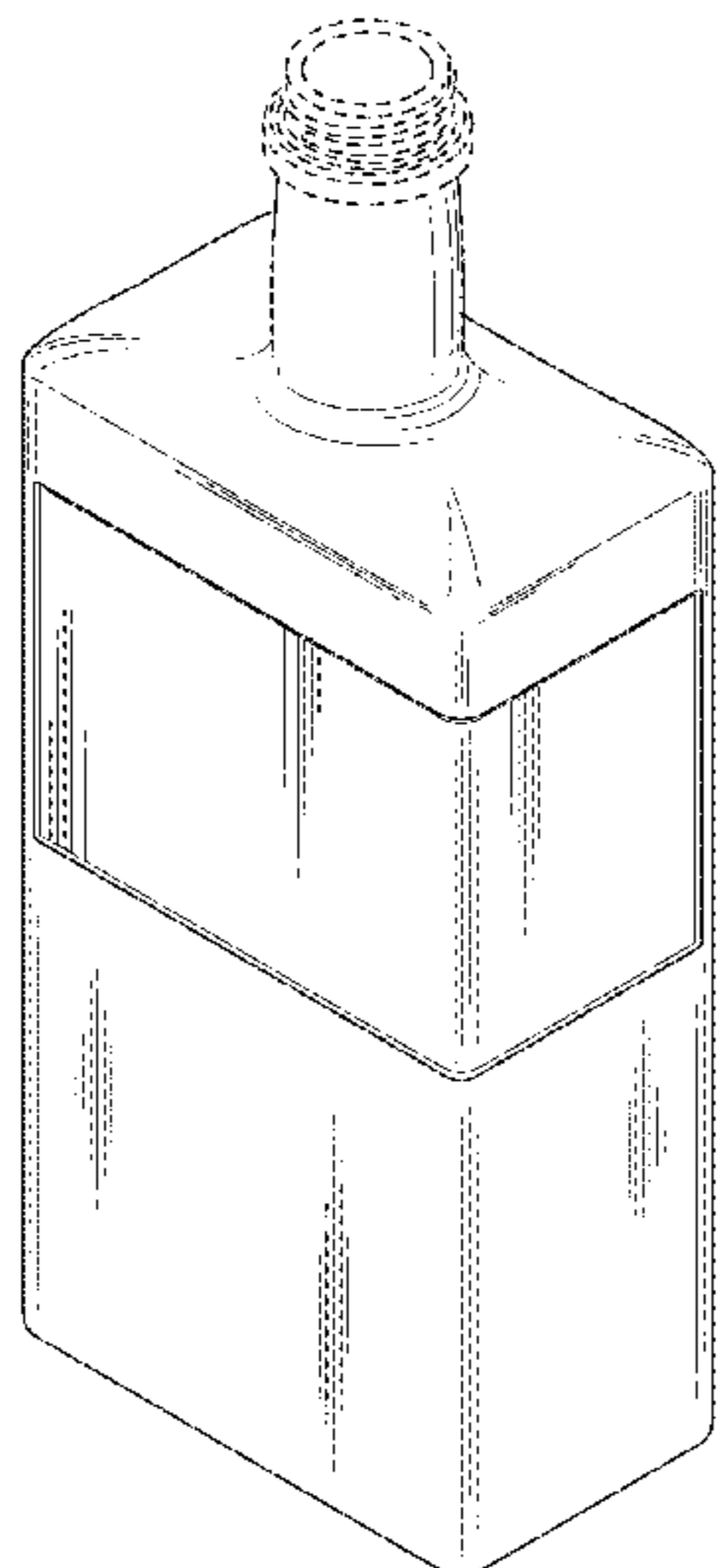
(57) **CLAIM**

The ornamental design for a bottle, as shown and described.

DESCRIPTION

FIG. 1 is a top perspective view of the bottle;
FIG. 2 is a front view thereof;
FIG. 3 is a rear view thereof;
FIG. 4 is a right side view thereof;
FIG. 5 is a left side view thereof;
FIG. 6 is a top view thereof;
FIG. 7 is a bottom view thereof;
FIG. 8 is a cross-sectional view of 8-8 in FIG. 2; and,
FIG. 9 is a cross-sectional view of 9-9 in FIG. 2.
The shade lines in the figures show contour and not surface
ornamentation.
The broken lines in the drawings illustrate the portions of the
bottle that form no part of the claim.

1 Claim, 9 Drawing Sheets



(56)

References Cited

U.S. PATENT DOCUMENTS

D285,537 S 9/1986 Parker
 D309,714 S 8/1990 Biesecker
 D343,580 S 1/1994 Reynaud
 D346,334 S 4/1994 Ahisvik
 5,865,349 A 2/1999 Caciilla
 D428,343 S 7/2000 Waitzenegger
 D484,419 S 12/2003 Potocki et al.
 D495,609 S 9/2004 Wurster
 D519,844 S 5/2006 Mansau
 D522,872 S 6/2006 Lascaux
 D539,662 S 4/2007 Sanchez Lascaux
 D540,179 S 4/2007 Adler
 D542,661 S 5/2007 Adler
 D551,082 S 9/2007 Kakhniadze et al.
 D553,000 S 10/2007 Barbagli
 D556,577 S 12/2007 Didier
 D561,039 S 2/2008 Del Bon
 D580,771 S 11/2008 Rica
 D580,773 S 11/2008 Rica
 D581,800 S 12/2008 Rica
 D586,659 S 2/2009 Delbon
 D596,491 S 7/2009 Rica
 D601,428 S 10/2009 Rica
 D612,242 S 3/2010 Rica
 D622,602 S 8/2010 Potts
 D626,842 S 11/2010 Rica
 D630,100 S 1/2011 Wanet
 D637,086 S 5/2011 Nanda
 D646,178 S 10/2011 Barber et al.
 D678,074 S * 3/2013 De France D9/435
 D691,050 S 10/2013 Brummelhuis et al.
 D693,227 S 11/2013 Gonzalez Rodriguez
 D698,257 S 1/2014 Gonzalez Rodriguez

D701,768 S 4/2014 Baker
 D717,658 S 11/2014 Fadelli
 D723,372 S 3/2015 Lecetre et al.
 D727,162 S 4/2015 Gaydon
 D734,160 S 7/2015 Aranda
 D741,716 S 10/2015 Konieczny
 D745,409 S 12/2015 Lecetre et al.
 D777,038 S * 1/2017 Fujimoto D9/544

FOREIGN PATENT DOCUMENTS

CN 201430391484.8 4/2015
 CN 201530121730.2 8/2015
 EM 001692302-0001 4/2010
 HK 1000886.0M002 5/2010
 TW 125286 10/2008
 TW 142376 9/2011

OTHER PUBLICATIONS

DJ Limbrey D1 London Gin bottle photographs, <http://d1londonspirits.co.uk/d1-london-gin/>, dated Feb. 10, 2016, 8 pages.
 M. Kiely, "Top 10 Spirits Marketing Campaigns in Jan. 2016", D1 Potato Vodka bottle photographs, <http://www.the-spiritsbusiness.com/2016/02/top-10-spirits-marketing-campaigns-in-january-2016/> 9/ 2 pages, Feb. 10, 2016.
 Green Hat Distilled Gin bottle photograph, dated Feb. 2016.
 Tullamore Dew Irish Whiskey bottle photograph, dated Feb. 2016.
 Zachlawi Sweet Potato Vodka bottle photograph, dated Feb. 1016, pp. 2.
 Decision to Grant issued in Russia Counterpart Design Patent Appl. No. 2016504709, dated Oct. 25, 2017 , along with an English translation thereof.

* cited by examiner

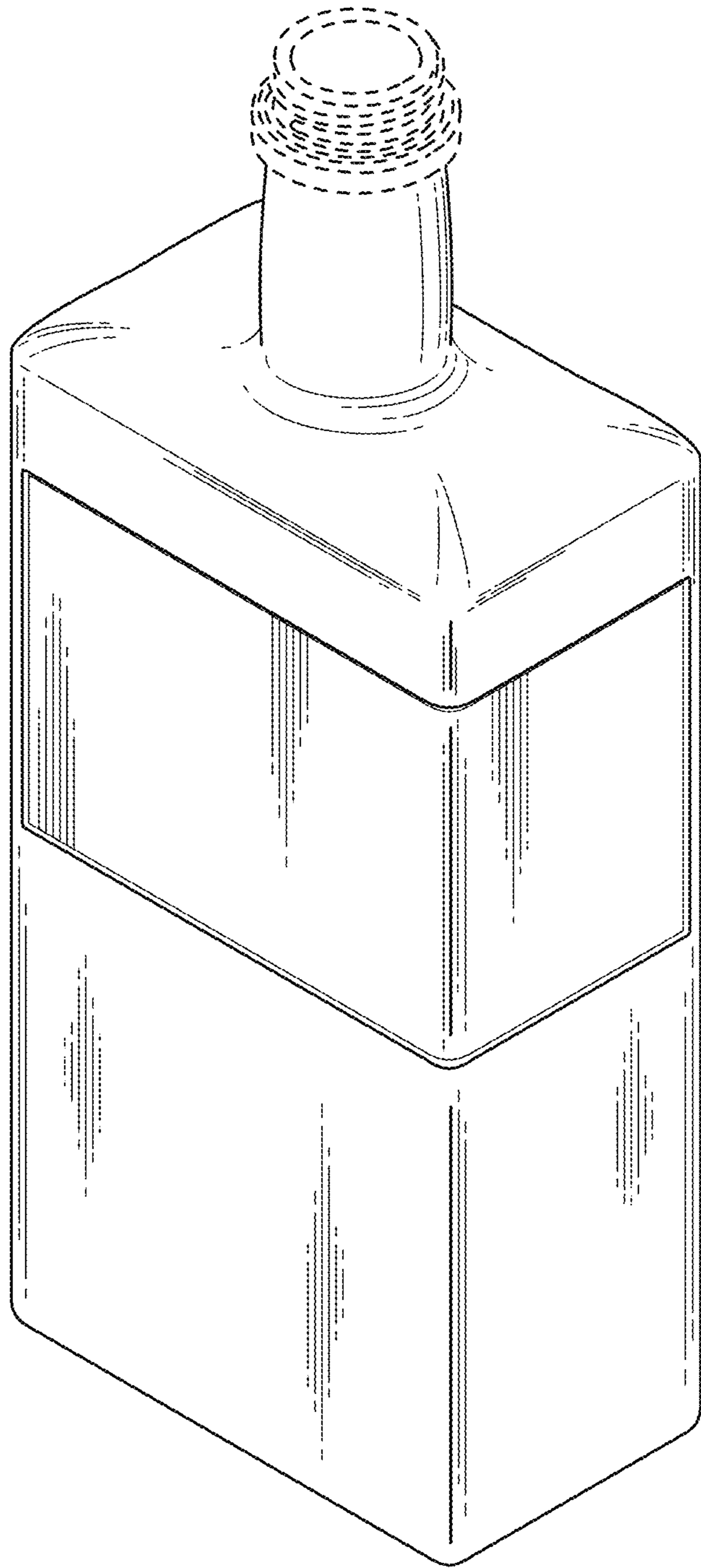


FIG. 1

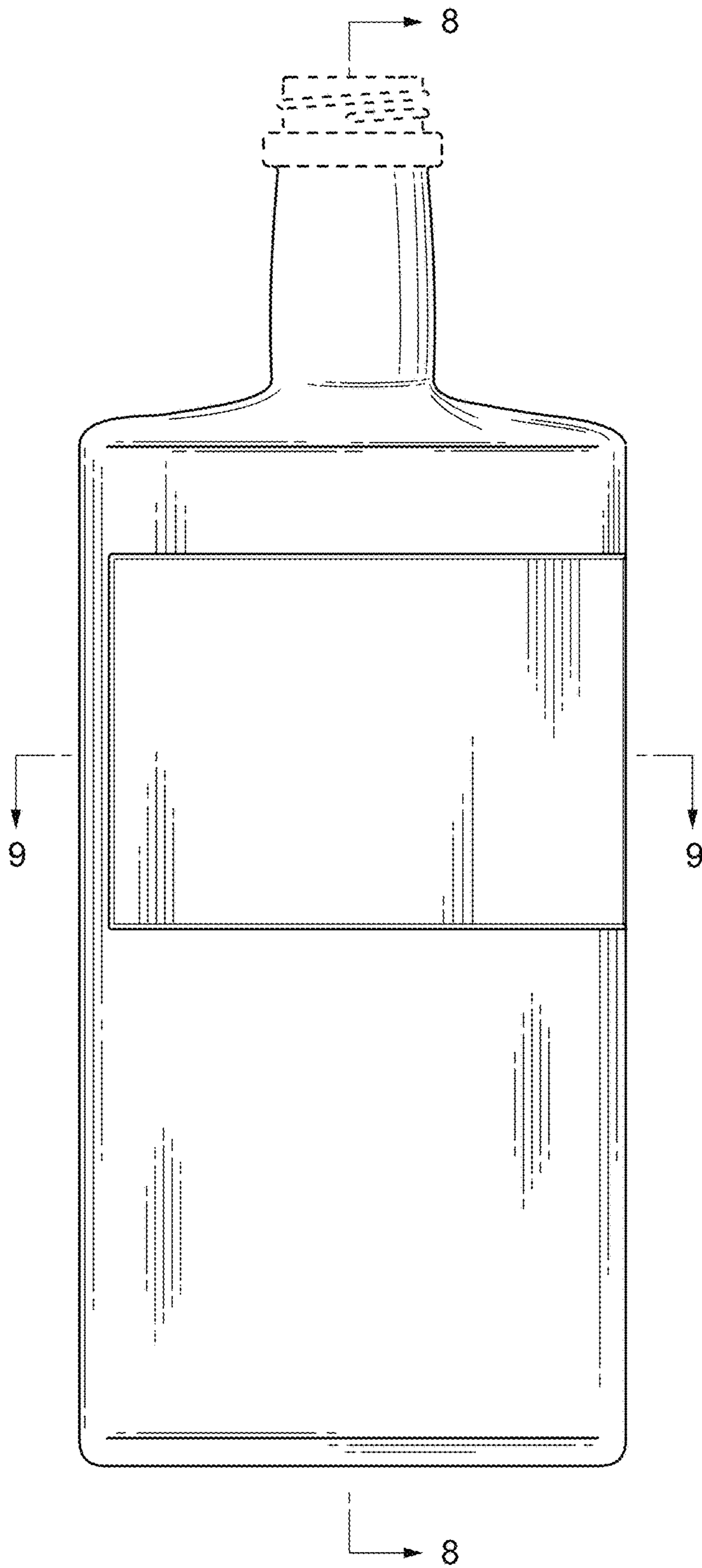


FIG. 2

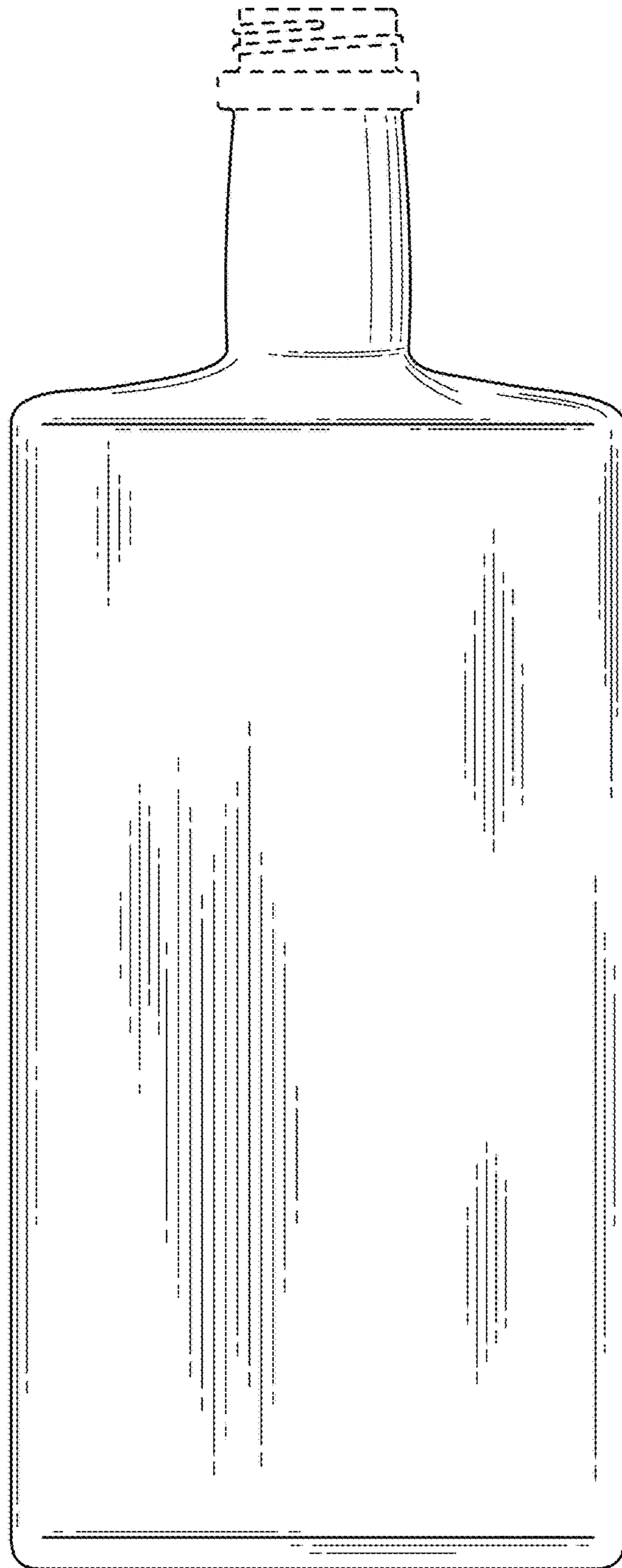


FIG. 3

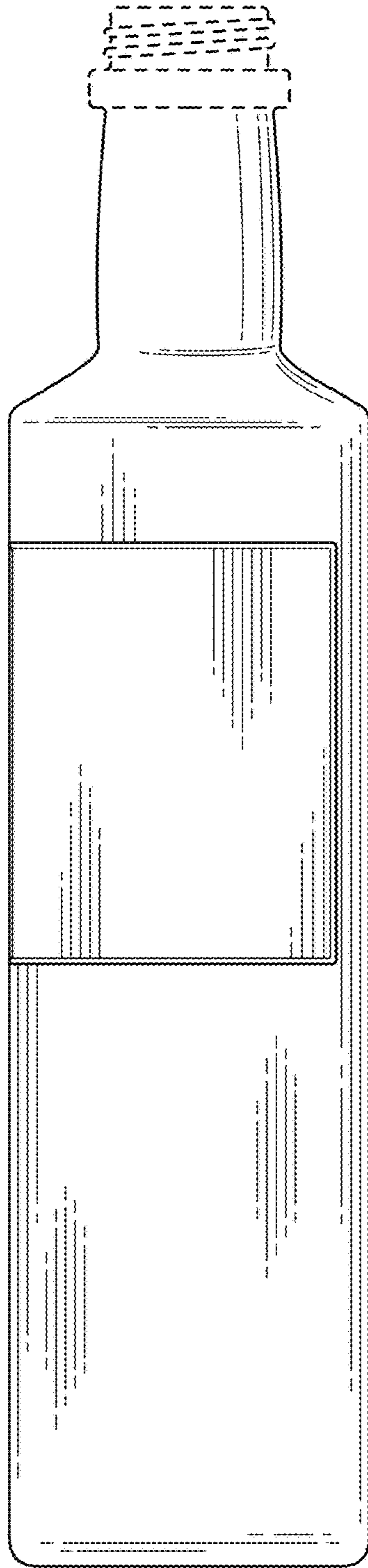


FIG. 4

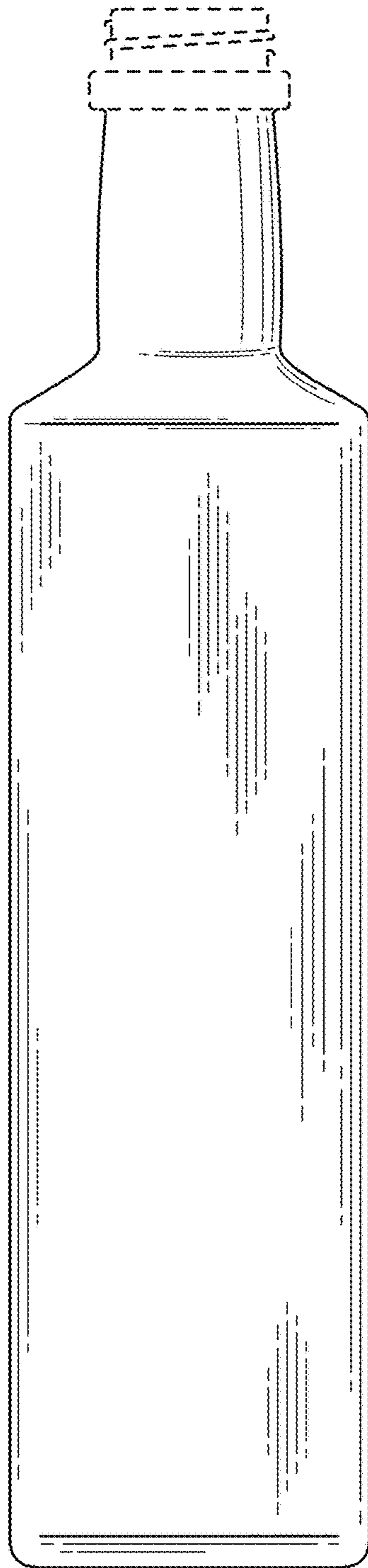


FIG. 5

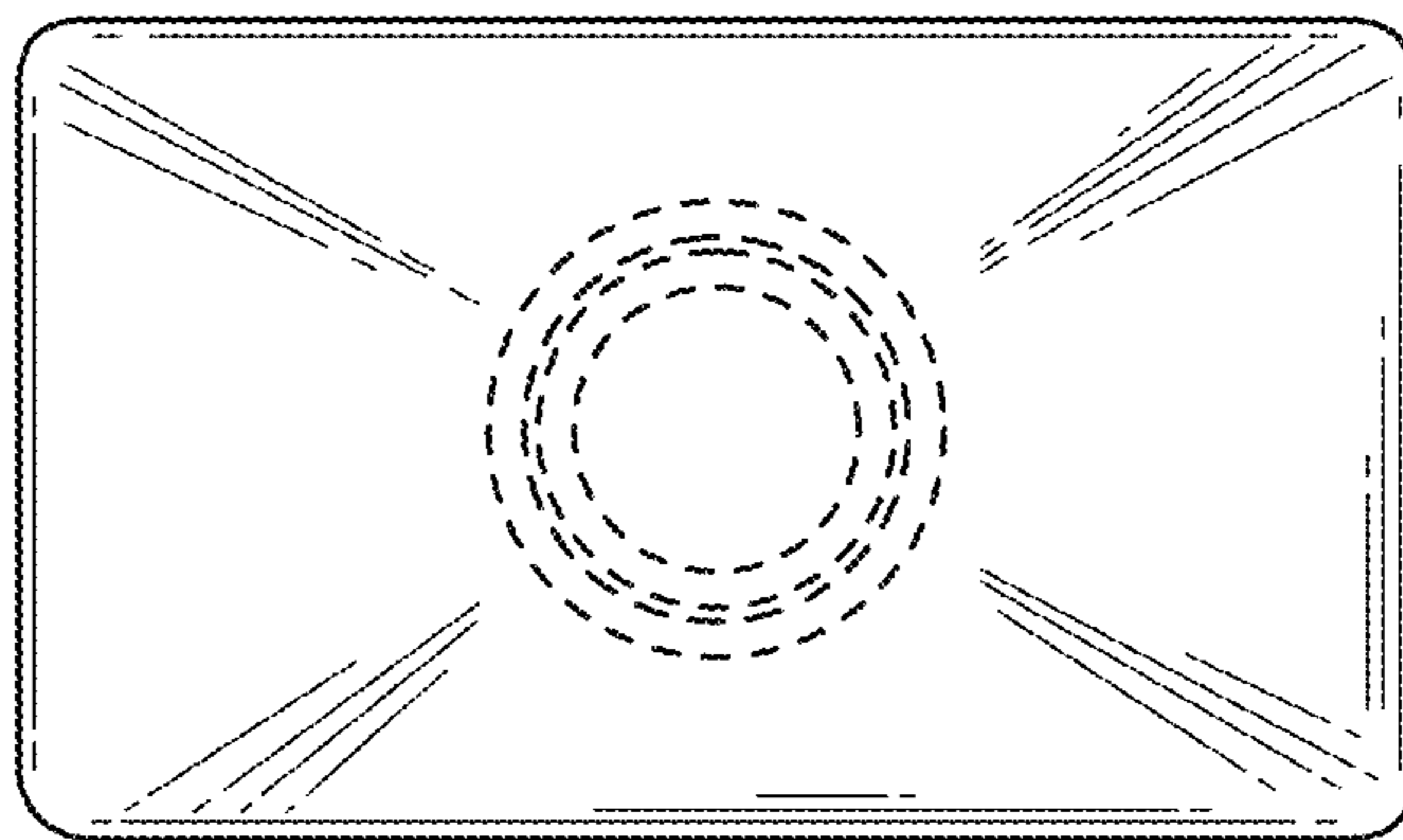


FIG. 6

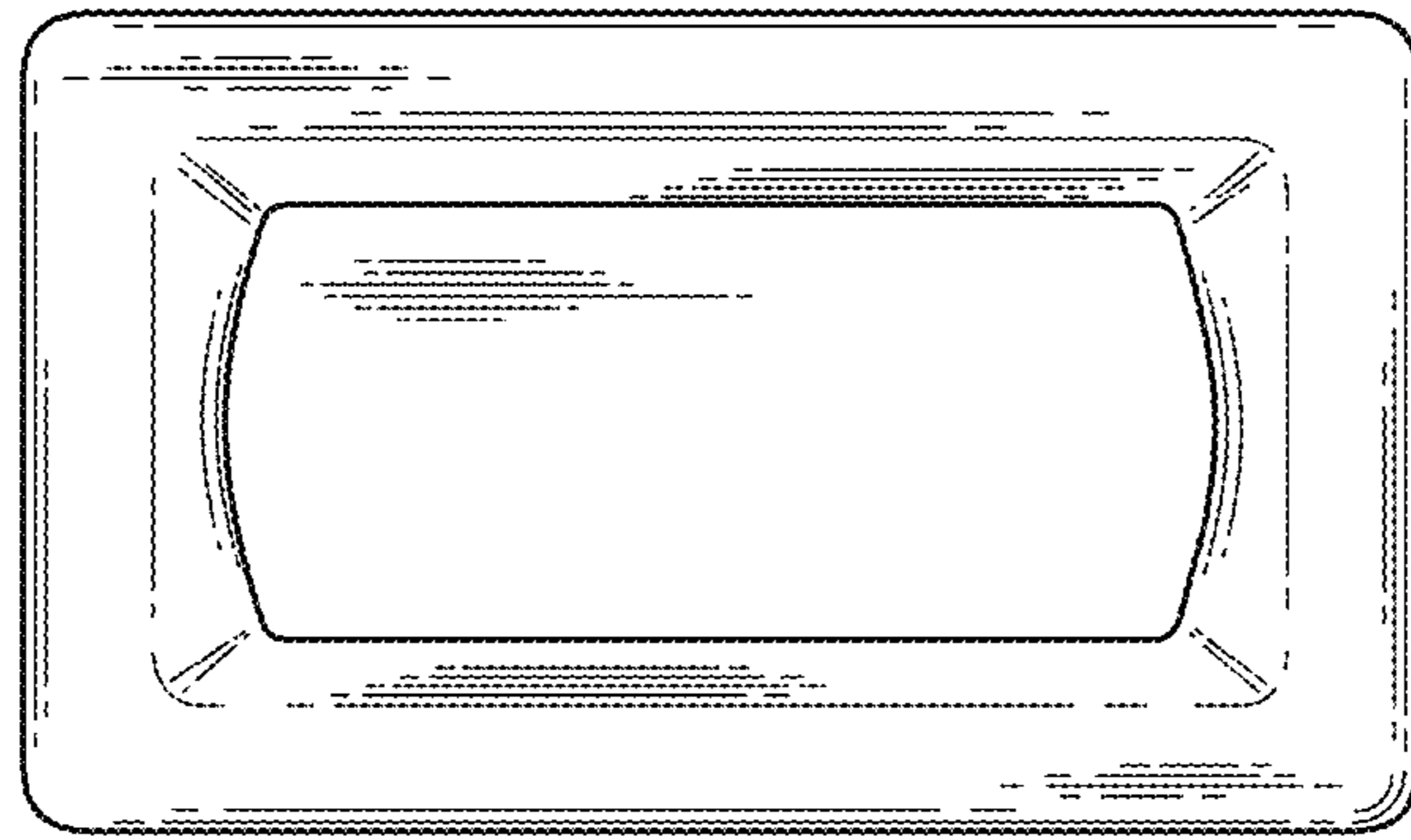


FIG. 7

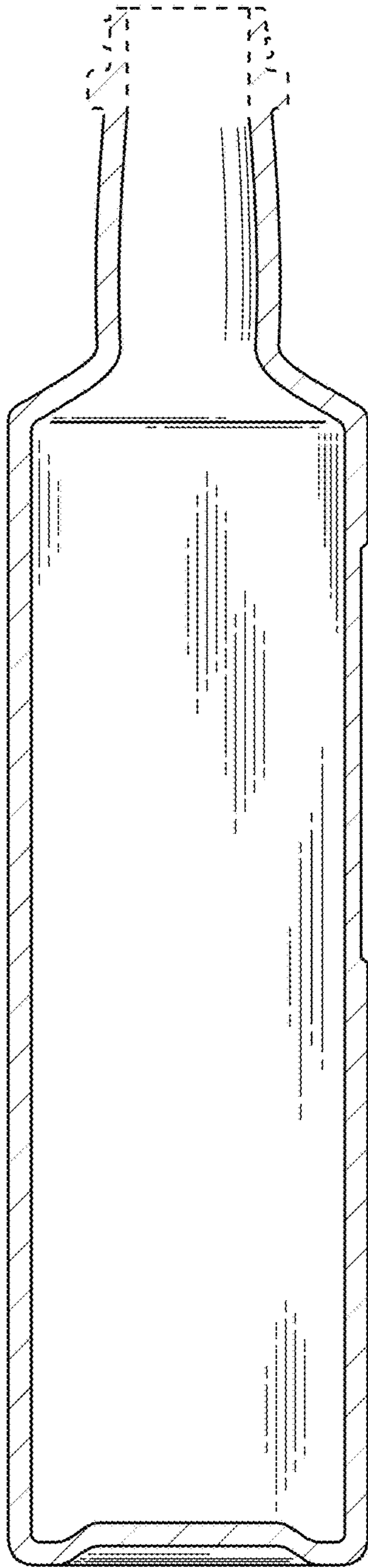


FIG. 8

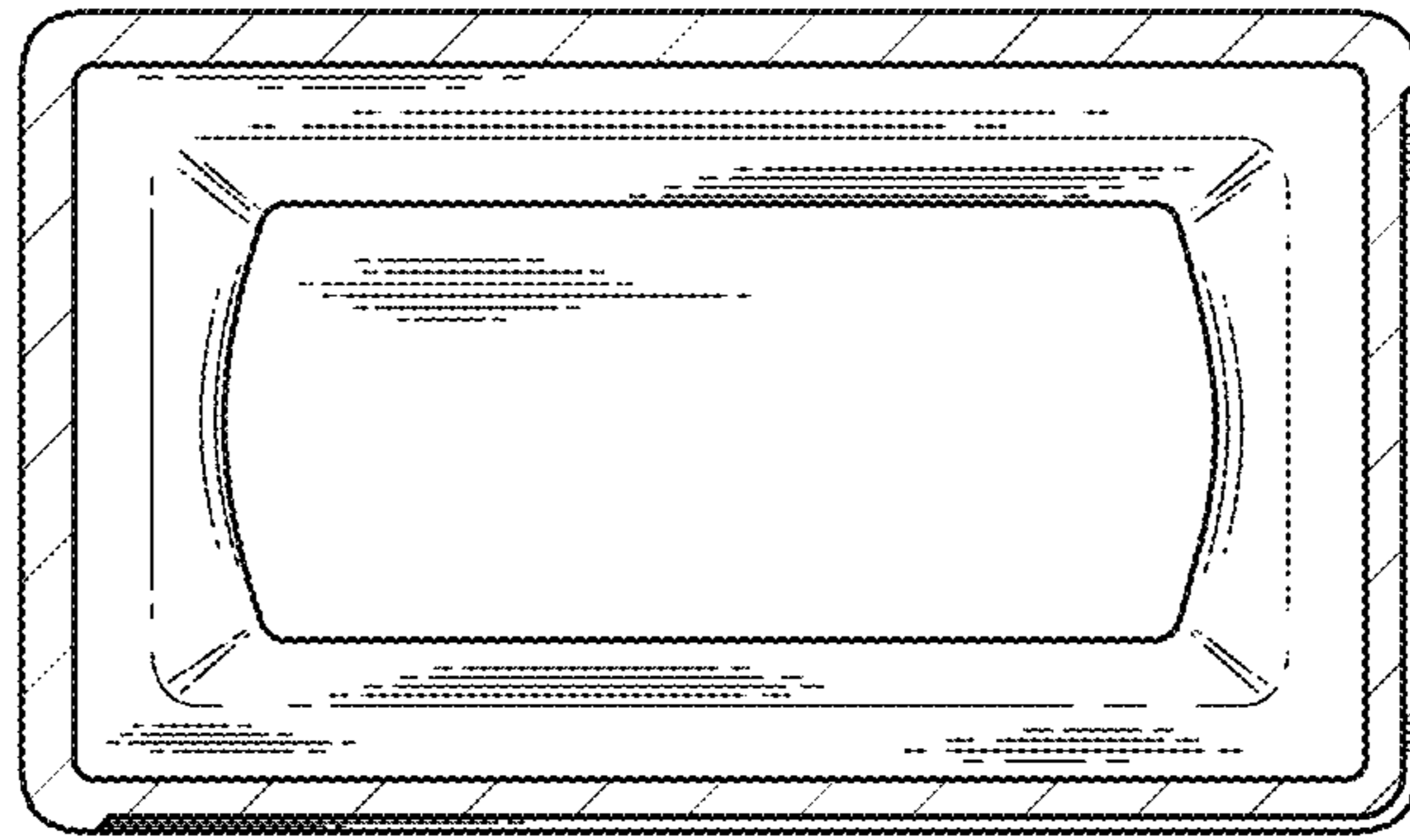


FIG. 9