



US00D830184S

(12) **United States Design Patent**
James et al.

(10) **Patent No.:** **US D830,184 S**

(45) **Date of Patent:** **** Oct. 9, 2018**

(54) **CONTAINER**

(71) Applicant: **Société des Produits Nestlé S.A.**,
Vevey (CH)

(72) Inventors: **Timothy James**, New York, NY (US);
Emmanuel Lainé, Vittel (FR); **Smeeta Khetarpaul**, Stamford, CT (US);
Johannes Zimmer, Vittel (FR); **Nicolas Dabrowski**, Vittel (FR)

(73) Assignee: **Société des Produits Nestlé S.A.**,
Vevey (CH)

(**) Term: **15 Years**

(21) Appl. No.: **29/615,615**

(22) Filed: **Aug. 30, 2017**

(51) **LOC (11) Cl.** **09-01**

(52) **U.S. Cl.**
USPC **D9/552**

(58) **Field of Classification Search**
USPC D7/509–511, 523; D9/435, 436, 439,
D9/440, 443, 447, 454, 500, 503–505,
D9/516–575, 763–783; 215/40–55,
215/316–354, 370–385; 220/574–575
CPC B65D 1/00; B65D 1/02; B65D 1/0223;
B65D 1/023; B65D 1/0276
See application file for complete search history.

(56) **References Cited**

U.S. PATENT DOCUMENTS

D63,400 S *	12/1923	Husting	D9/556
D90,120 S *	6/1933	McNash	D7/523
D358,547 S *	5/1995	Darr	D9/520
5,593,056 A *	1/1997	Mero	B65D 1/0223
				215/382
D406,065 S *	2/1999	Cheng	D9/434
D429,156 S *	8/2000	Williams	D9/520
D489,940 S *	5/2004	Gluck	D7/509
D504,825 S *	5/2005	Nielson	D9/531

D513,594 S	1/2006	Venkataraman et al.	
D522,873 S *	6/2006	Forget D9/552
D538,170 S	3/2007	Venkataraman et al.	
D538,658 S	3/2007	Horne et al.	
D546,697 S *	7/2007	Schnipper D9/529
D556,590 S	12/2007	Dorn et al.	
D556,593 S	12/2007	De Cleir et al.	
D567,095 S	4/2008	Miller	
D576,497 S *	9/2008	Ozer D9/556
D581,802 S	12/2008	Dimmel et al.	
D582,290 S	12/2008	Dimmel et al.	
D582,781 S	12/2008	Miller	
D584,954 S *	1/2009	Pagliacci D9/545

(Continued)

OTHER PUBLICATIONS

“Pet Narrow Neck Bottles.” alphap.com. Date not available. Accessed Jul. 3, 2018. Available online at URL: <http://www.alphap.com/products/catalog/childcat.php?pcat_id=2&cat=26>.*

Primary Examiner — Cathron C Brooks

Assistant Examiner — Christian P. McLean

(74) *Attorney, Agent, or Firm* — Finnegan, Henderson, Farabow, Garrett & Dunner LLP

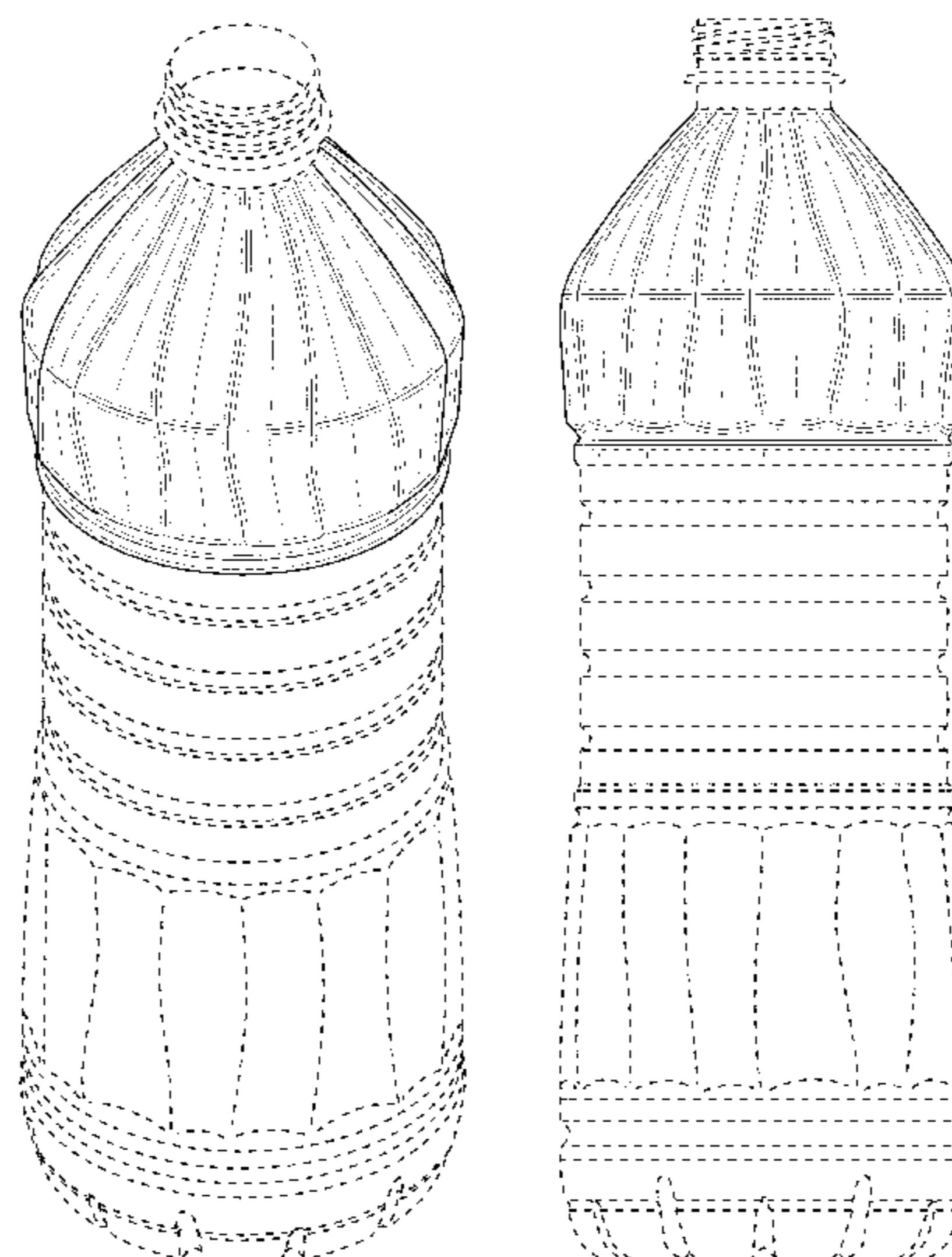
(57) **CLAIM**

The ornamental design for a container, as shown and described.

DESCRIPTION

FIG. 1 is a top, front, right perspective view of a container showing our new design;
FIG. 2 is a front elevation view thereof;
FIG. 3 is a rear elevation view thereof;
FIG. 4 is a right side view thereof;
FIG. 5 is a left side view thereof;
FIG. 6 is a top plan view thereof; and,
FIG. 7 is a bottom plan view thereof.
The portions depicted in broken lines of even length form no part of the claimed design.

1 Claim, 7 Drawing Sheets



(56)

References Cited

U.S. PATENT DOCUMENTS

D604,169	S	11/2009	Melossi	
D621,711	S	8/2010	Williams	
D658,065	S *	4/2012	Oommen	D9/520
D664,437	S *	7/2012	Barel	D9/538
D668,956	S	10/2012	Hirst	
D698,656	S	2/2014	Fleischhacker et al.	
D771,497	S	11/2016	Cole et al.	
D777,578	S	1/2017	Kunst	
D779,950	S	2/2017	Kunst	
D784,768	S *	4/2017	Lee	D7/511
D786,686	S	5/2017	Robin-Prevallee	
D787,336	S	5/2017	Robin-Prevallee	
D789,207	S *	6/2017	Peacock	D9/552
D804,318	S *	12/2017	Perez	D9/549
2017/0174384	A1 *	6/2017	Evans	B65D 1/0223

* cited by examiner

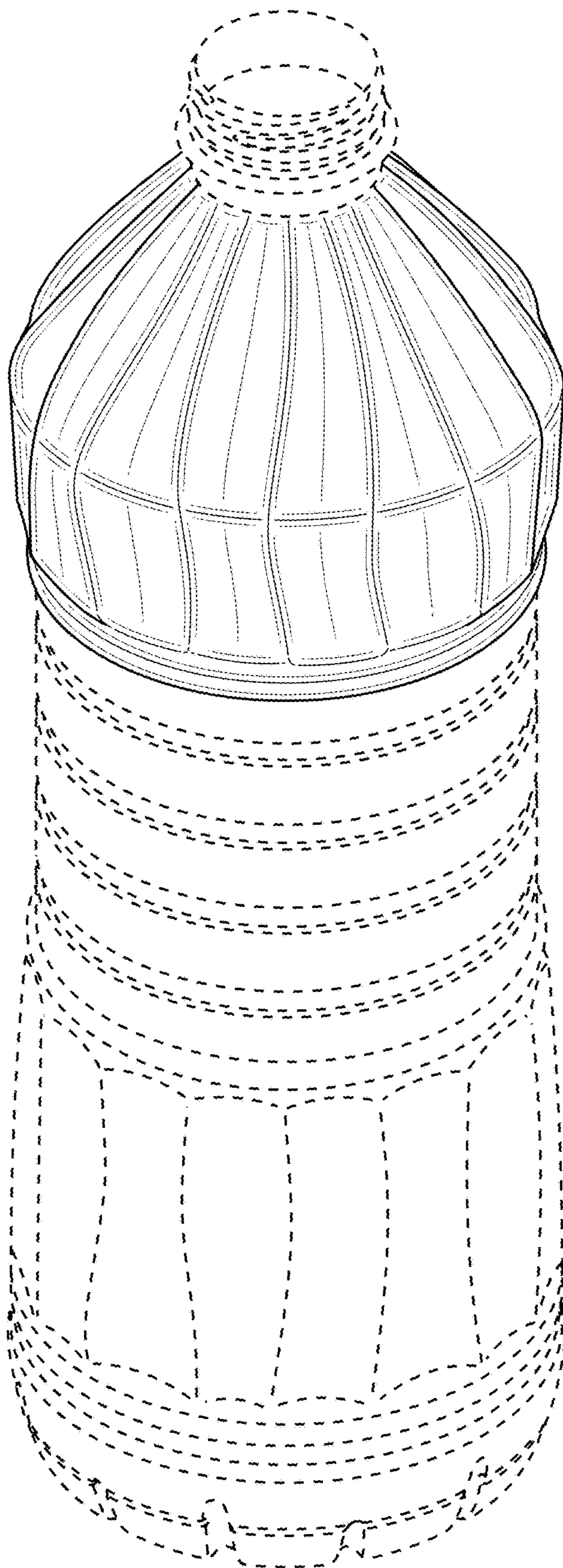


FIG. 1

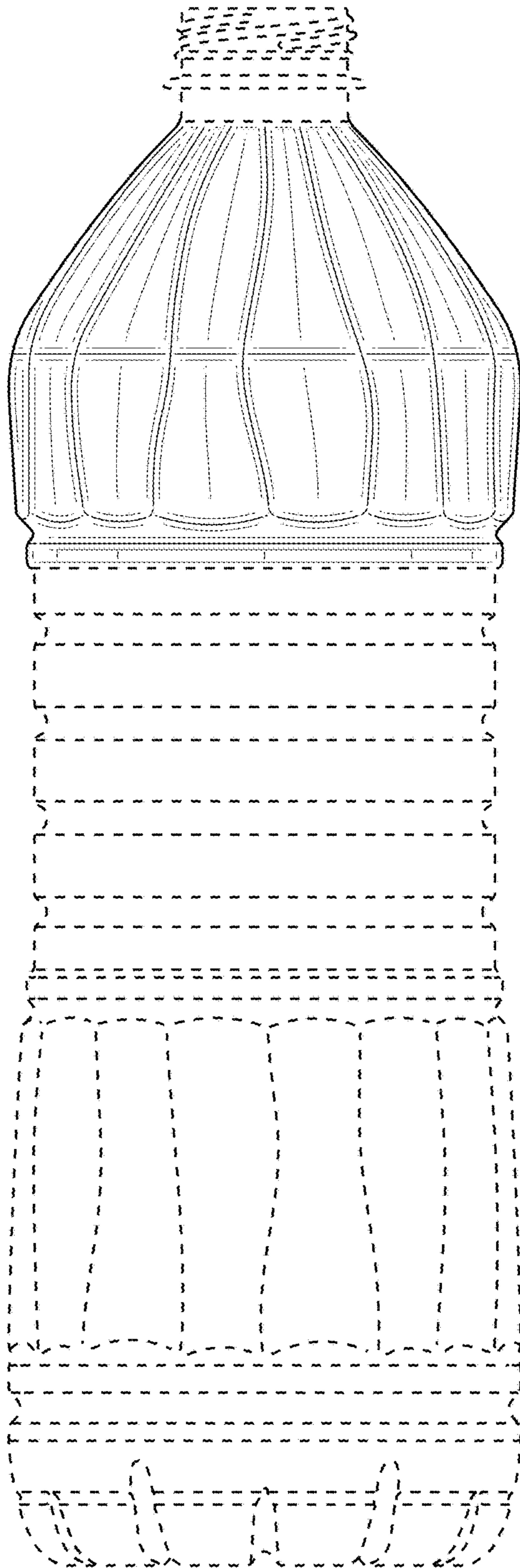


FIG. 2

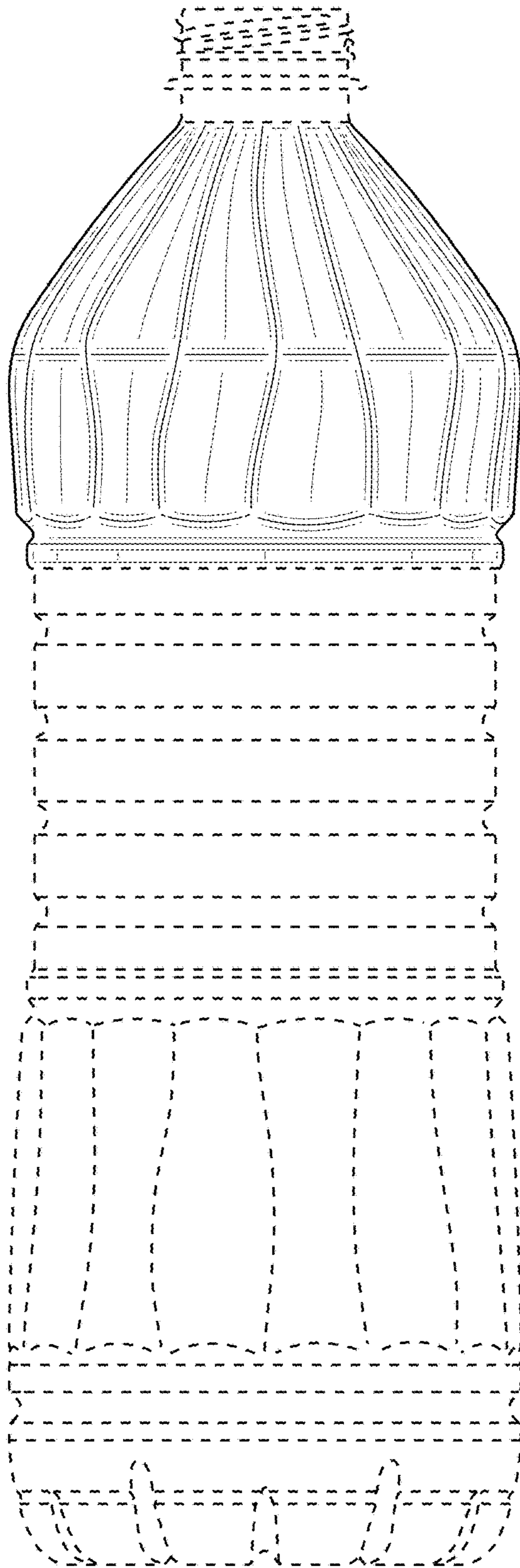


FIG. 3

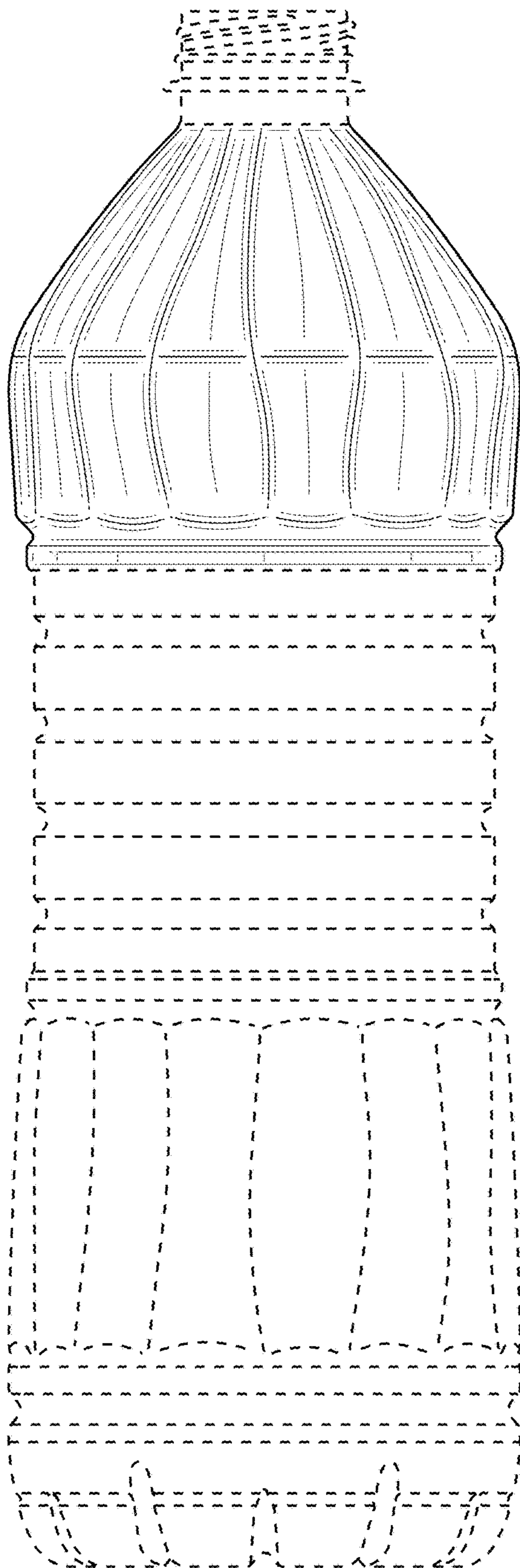


FIG. 4

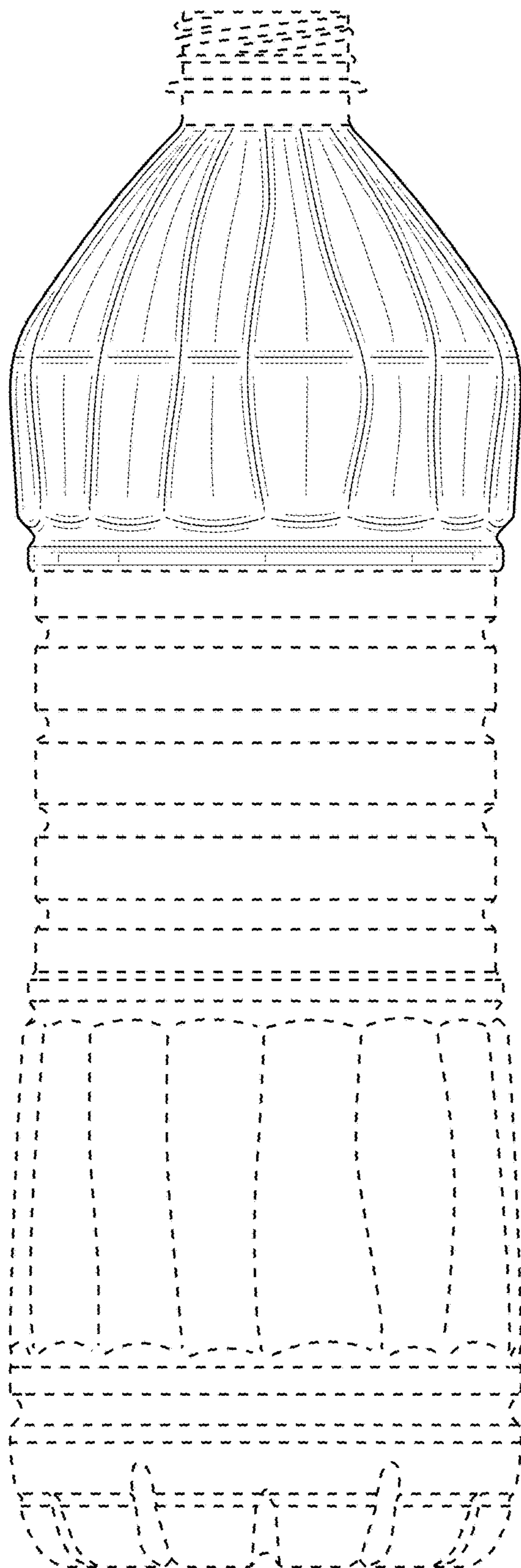


FIG. 5

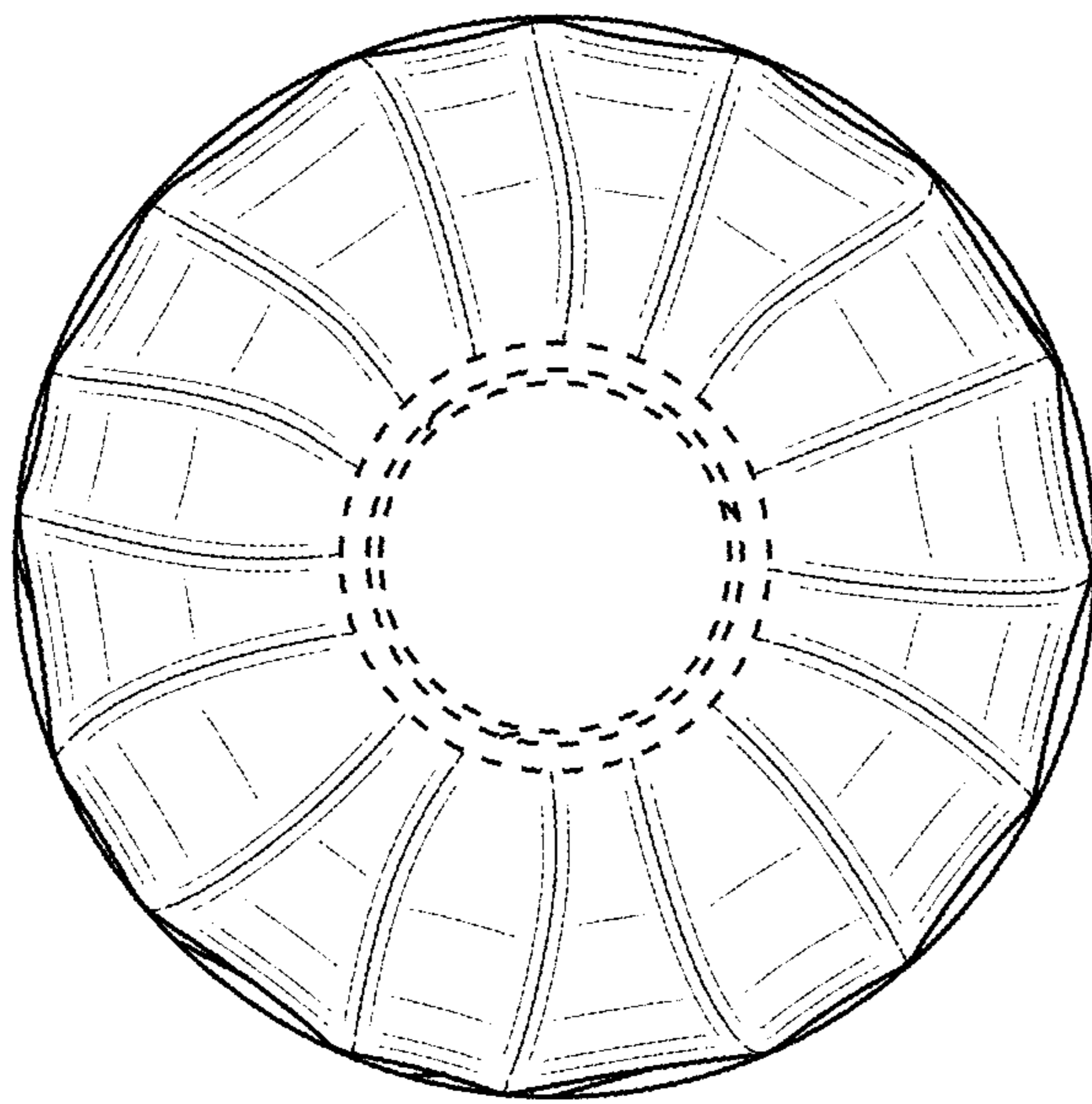


FIG. 6

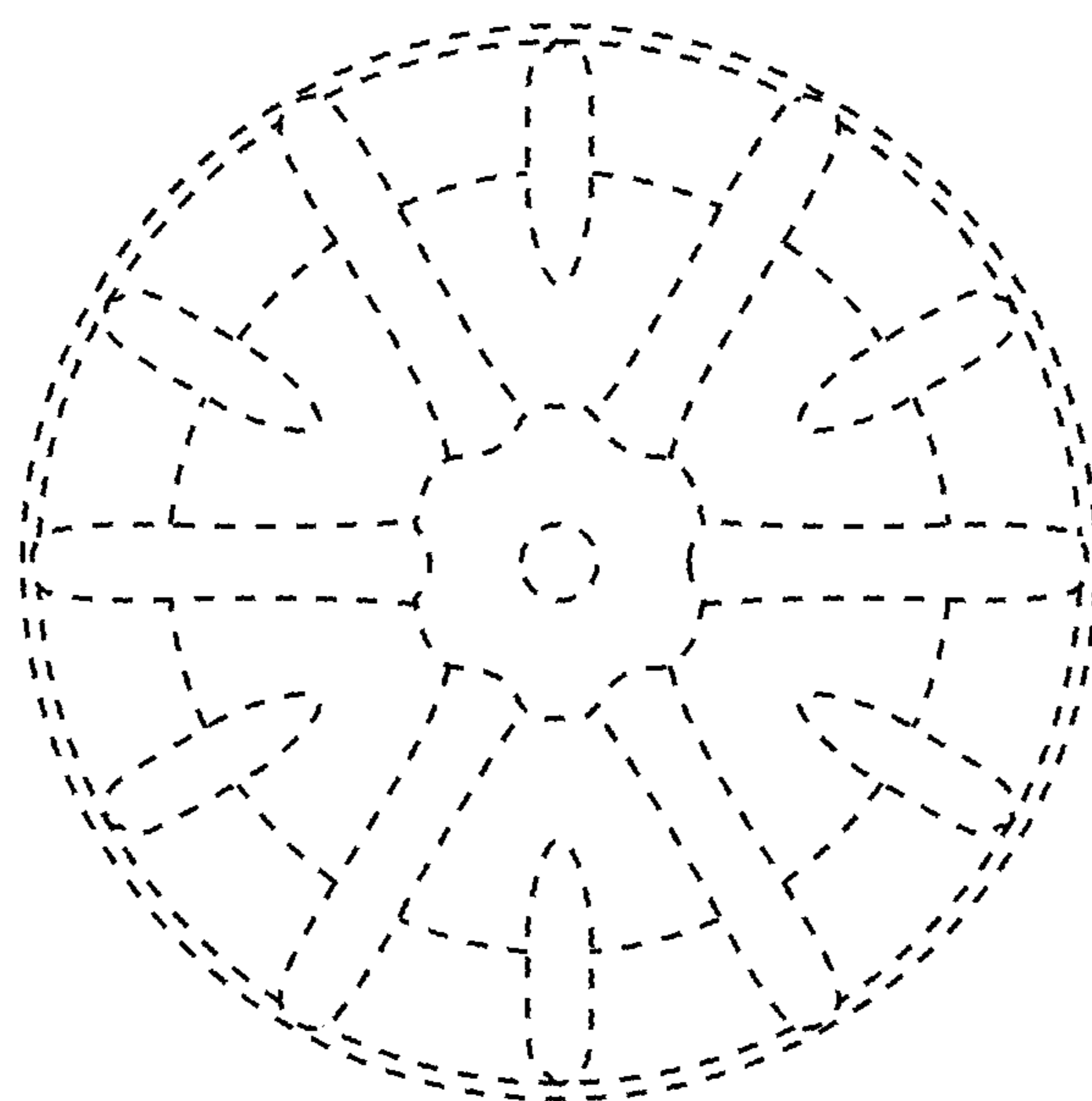


FIG. 7