



US00D830183S

(12) **United States Design Patent**
James et al.

(10) **Patent No.:** **US D830,183 S**
(45) **Date of Patent:** **** Oct. 9, 2018**

(54) **CONTAINER**

(71) Applicant: **Société des Produits Nestlé S.A.**,
Vevey (CH)

(72) Inventors: **Timothy James**, New York, NY (US);
Emmanuel Lainé, Vittel Cedex (FR);
Smeeta Khetarpaul, Stamford, CT
(US); **Johannes Zimmer**, Vittel Cedex
(FR); **Nicolas Dabrowski**, Vittel Cedex
(FR)

(73) Assignee: **Société des Produits Nestlé S.A.**,
Vevey (CH)

(**) Term: **15 Years**

(21) Appl. No.: **29/615,605**

(22) Filed: **Aug. 30, 2017**

(51) **LOC (11) Cl.** **09-01**

(52) **U.S. Cl.**
USPC **D9/552**

(58) **Field of Classification Search**
USPC D7/509–511, 523; D9/435, 436, 439,
D9/440, 443, 447, 454, 500, 503–505,
D9/516–575, 763–783; 215/40–55,
215/316–354, 370–385; 220/574–575
CPC B65D 1/00; B65D 1/02; B65D 1/0223;
B65D 1/023; B65D 1/0276

See application file for complete search history.

(56) **References Cited**

U.S. PATENT DOCUMENTS

D63,400 S * 12/1923 Husting D9/556
D90,120 S * 6/1933 McNash D7/523
D358,547 S * 5/1995 Darr D9/520
5,593,056 A * 1/1997 Mero B65D 1/0223
215/382
D406,065 S * 2/1999 Cheng D9/434
D429,156 S * 8/2000 Williams D9/520
D489,940 S * 5/2004 Gluck D7/509

D504,825 S * 5/2005 Nielson D9/531
D513,594 S 1/2006 Venkataraman et al.
D522,873 S * 6/2006 Forget D9/552
D538,170 S 3/2007 Venkataraman et al.
D538,658 S 3/2007 Horne et al.
D546,697 S * 7/2007 Schnipper D9/529
D556,590 S 12/2007 Dorn et al.
D556,593 S 12/2007 De Cleir et al.
D567,095 S 4/2008 Miller
D576,497 S * 9/2008 Ozer D9/556
D581,802 S 12/2008 Dimmel et al.
D582,290 S 12/2008 Dimmel et al.
D582,781 S 12/2008 Miller

(Continued)

OTHER PUBLICATIONS

“PET Narrow Neck Bottles.” alphap.com. Date not available. Accessed Jul. 3, 2018. Available online at URL: <http://www.alphap.com/products/catalog/childcat.php?pcat_id=2&cat=26>.*

Primary Examiner — Cathron C Brooks

Assistant Examiner — Christian P. McLean

(74) *Attorney, Agent, or Firm* — Finnegan, Henderson,
Farabow, Garrett & Dunner LLP

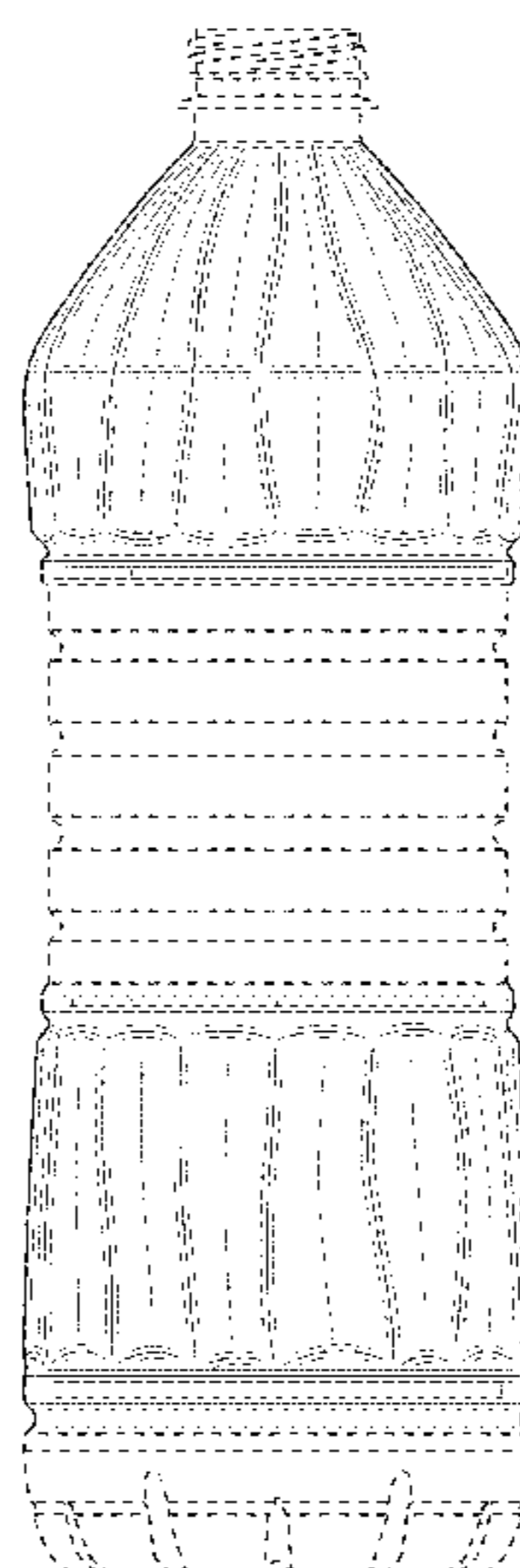
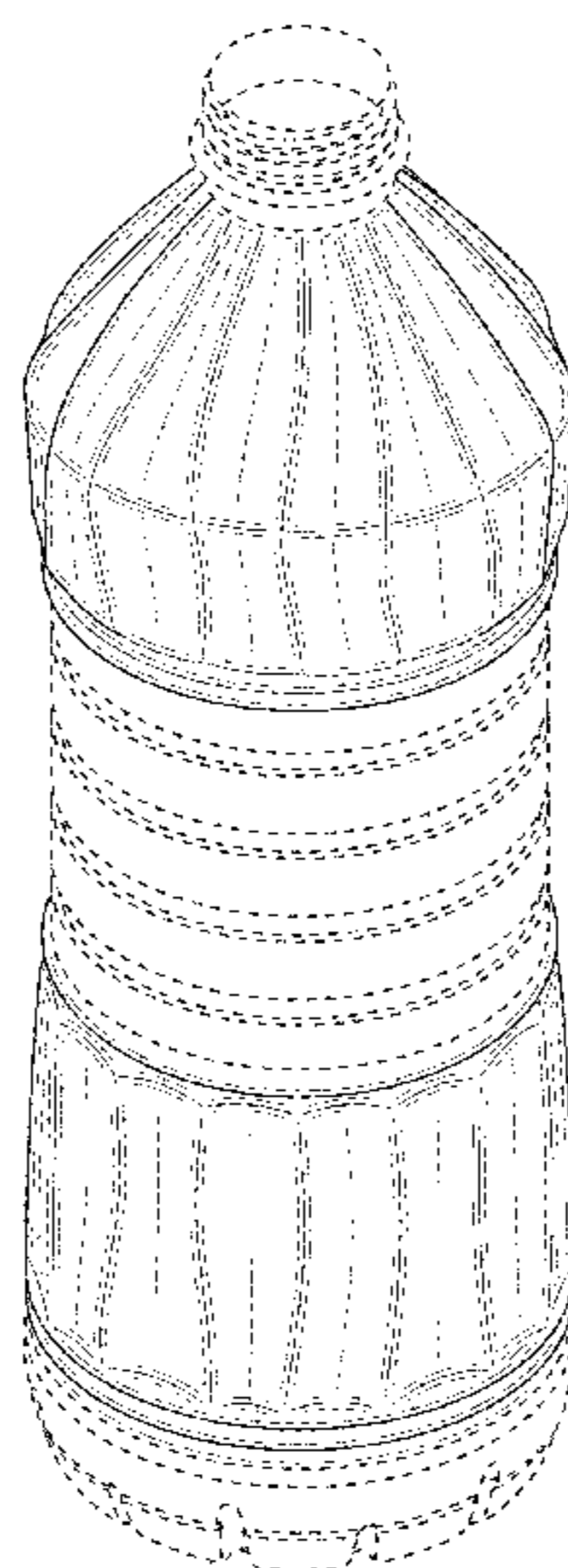
(57) **CLAIM**

The ornamental design for a container, as shown and described.

DESCRIPTION

FIG. 1 is a top, front, right perspective view of a container showing our new design;
FIG. 2 is a front elevation view thereof;
FIG. 3 is a rear elevation view thereof;
FIG. 4 is a right side view thereof;
FIG. 5 is a left side view thereof;
FIG. 6 is a top plan view thereof; and,
FIG. 7 is a bottom plan view thereof.
The portions depicted in broken lines of even length form no part of the claimed design.

1 Claim, 7 Drawing Sheets



(56)

References Cited

U.S. PATENT DOCUMENTS

D584,954 S * 1/2009 Pagliacci D9/545
D604,169 S 11/2009 Melossi
D621,711 S 8/2010 Williams
D658,065 S * 4/2012 Oommen D9/520
D664,437 S * 7/2012 Barel D9/538
D668,956 S 10/2012 Hirst
D698,656 S 2/2014 Fleischhacker et al.
D771,497 S 11/2016 Cole et al.
D777,578 S 1/2017 Kunst
D779,950 S 2/2017 Kunst
D784,768 S * 4/2017 Lee D7/511
D786,686 S 5/2017 Robin-Prevallee
D787,336 S 5/2017 Robin-Prevallee
D789,207 S * 6/2017 Peacock D9/552
D804,318 S * 12/2017 Perez D9/549
2017/0174384 A1 * 6/2017 Evans B65D 1/0223

* cited by examiner

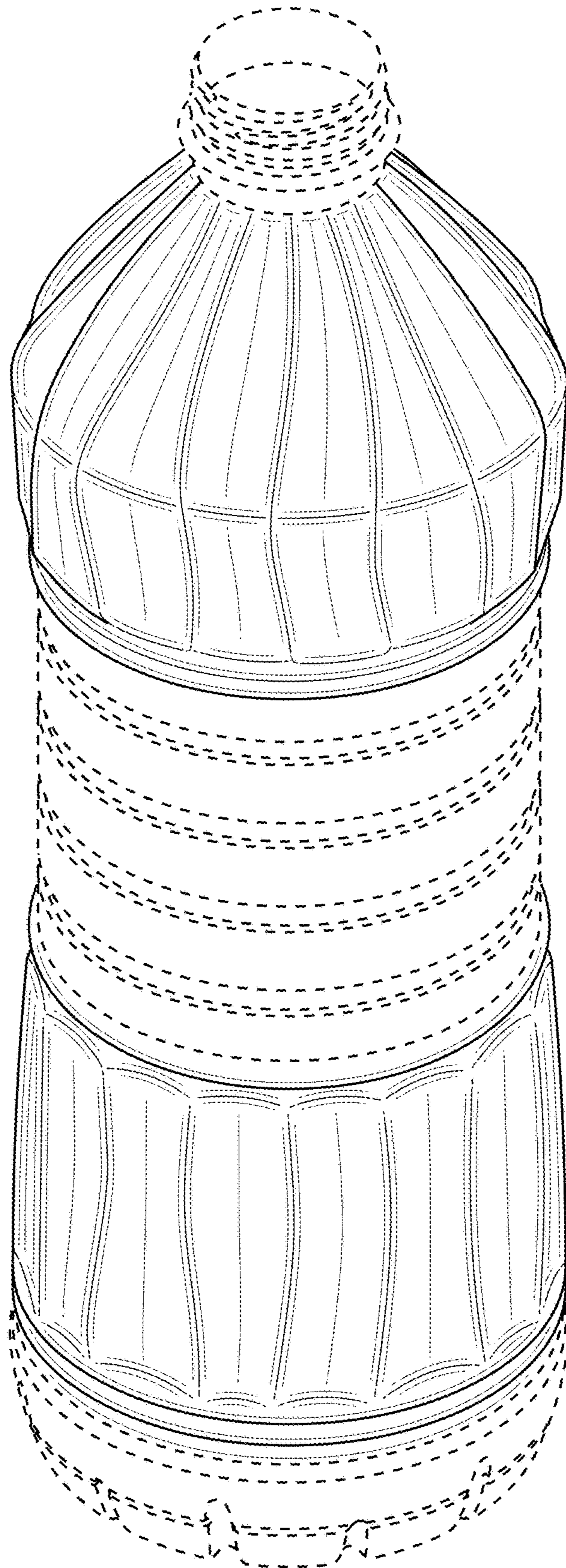


FIG. 1

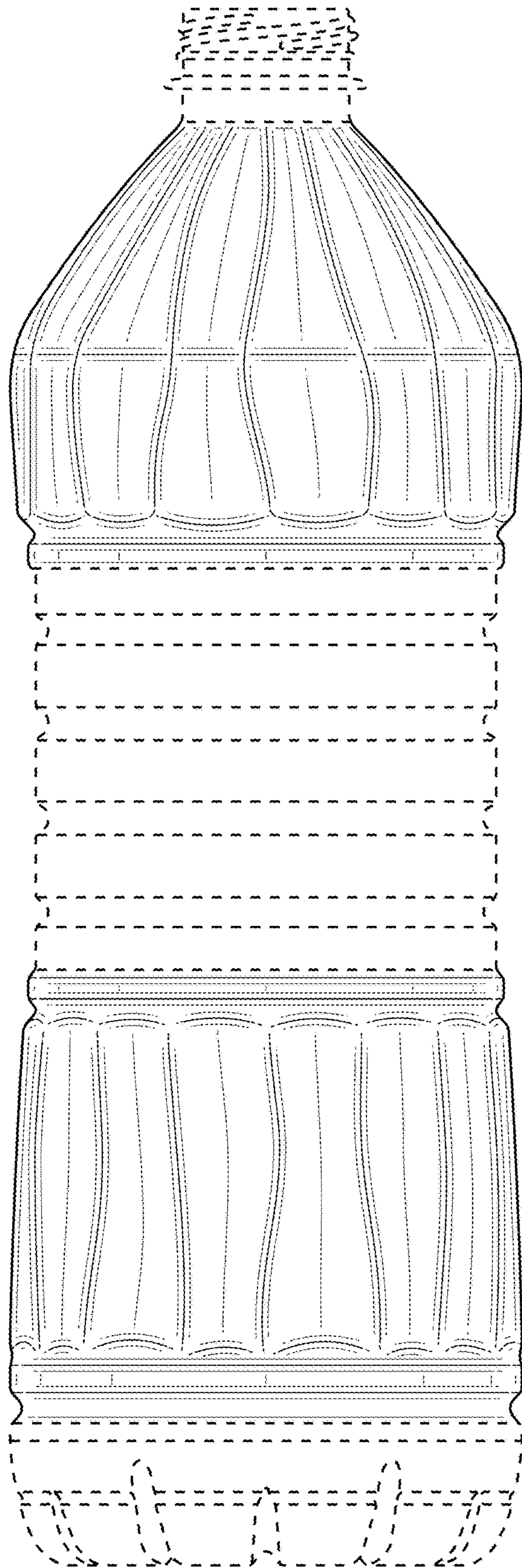


FIG. 2

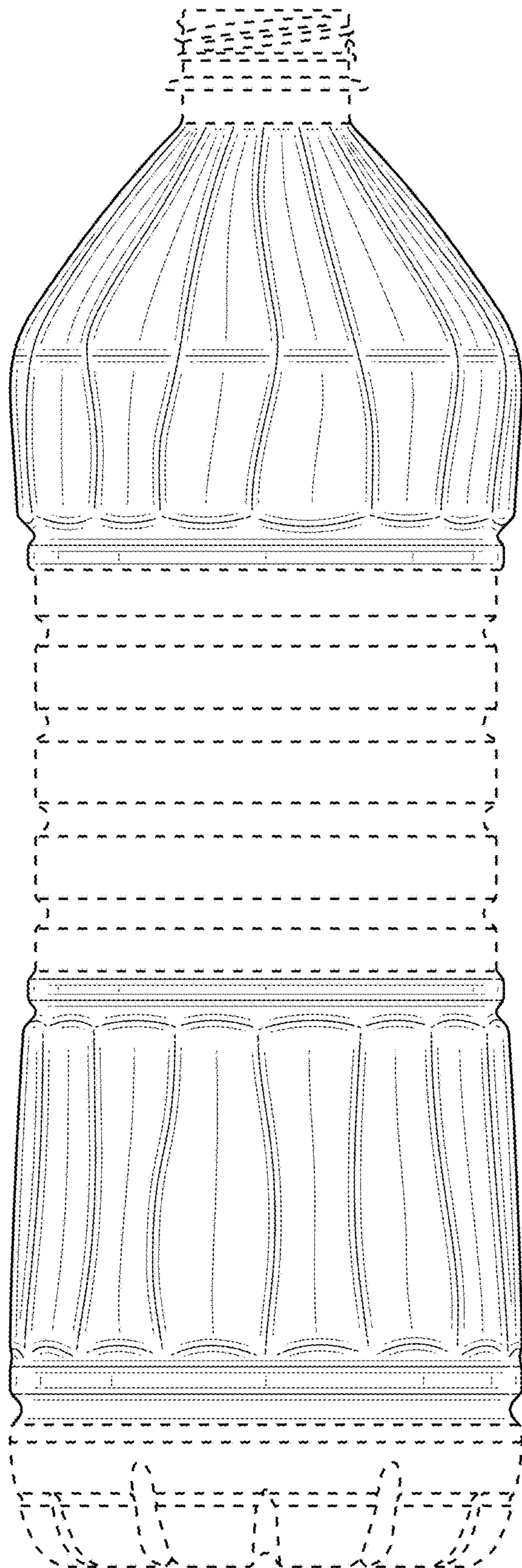


FIG. 3

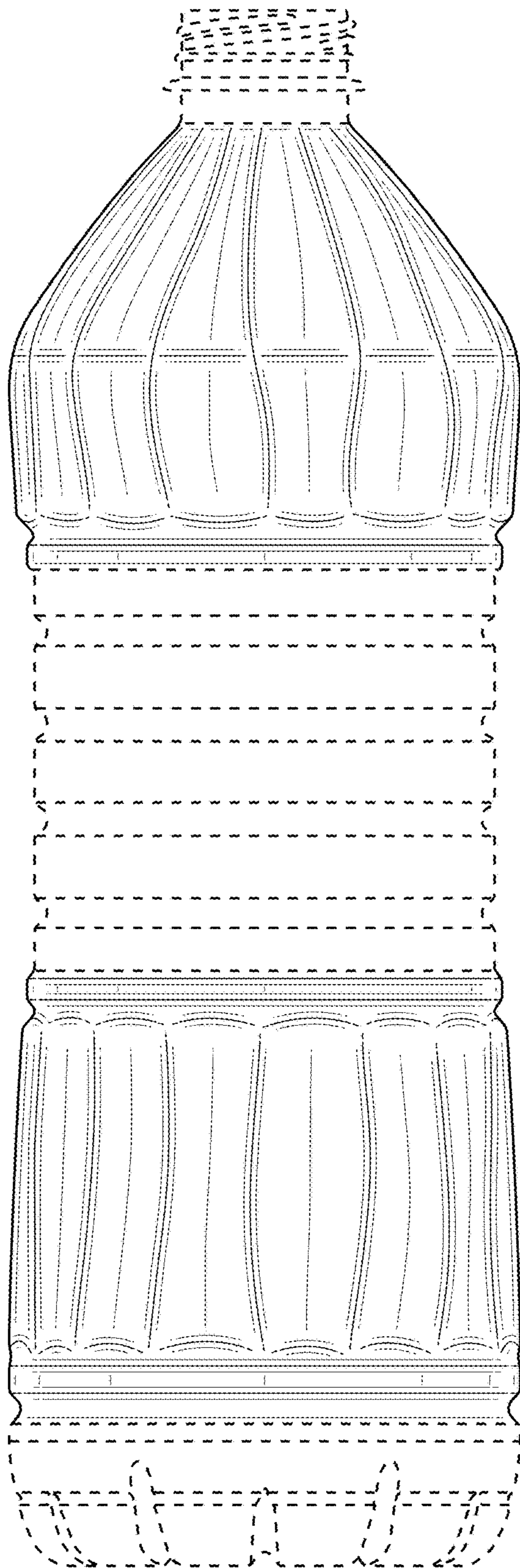


FIG. 4

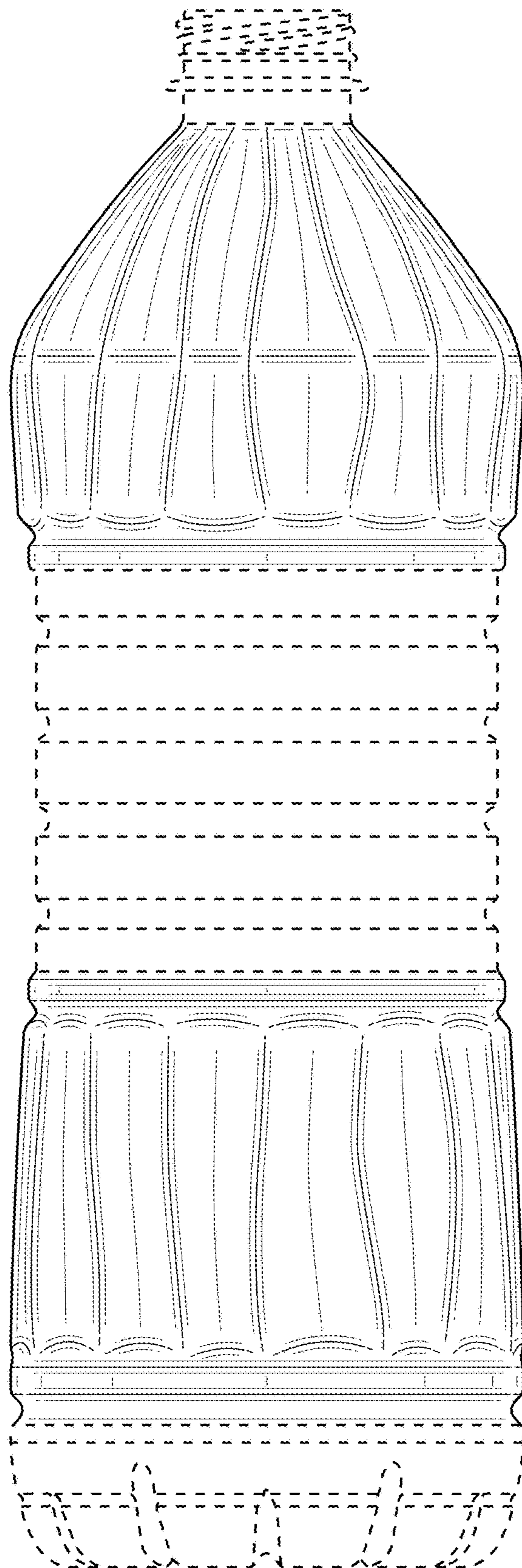


FIG. 5

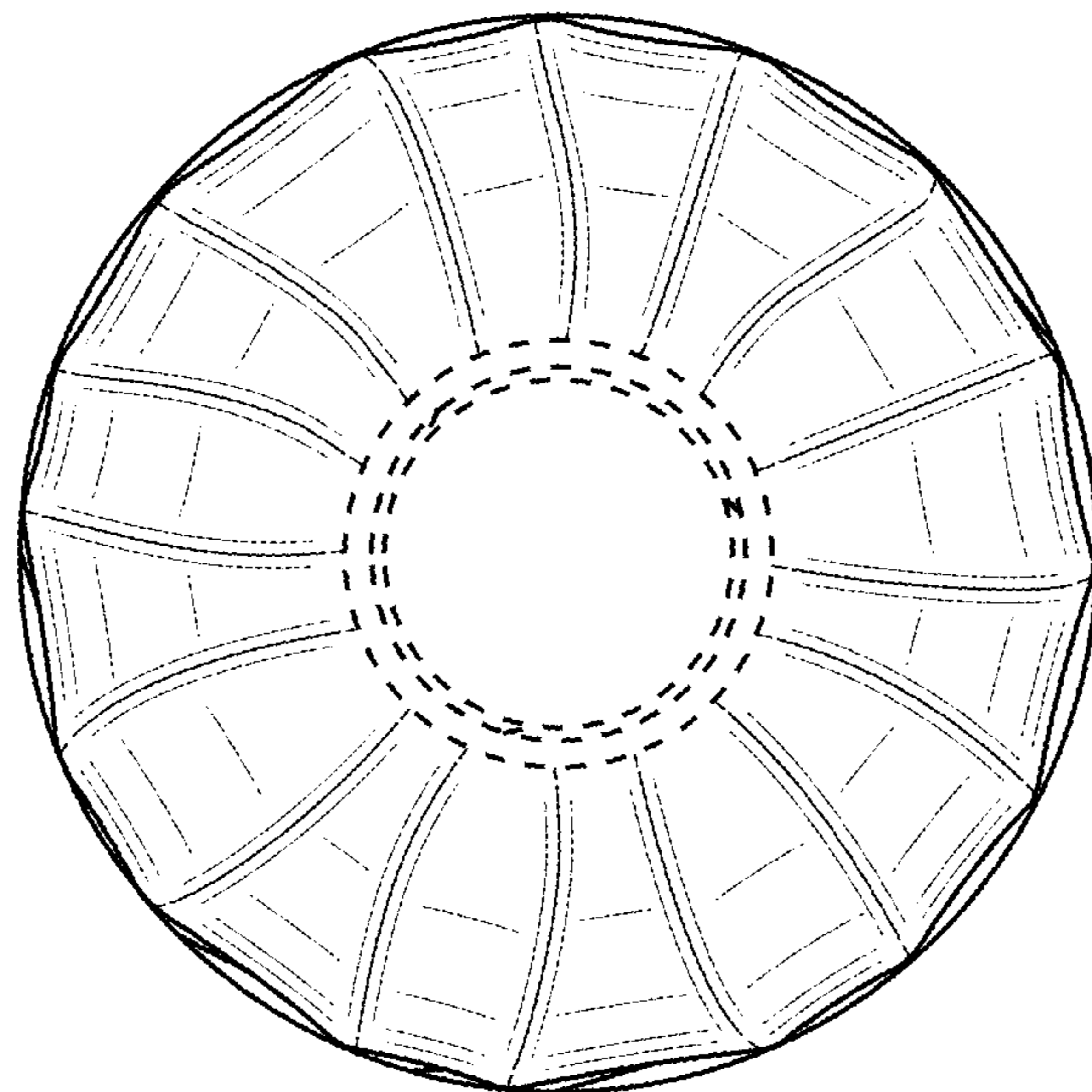


FIG. 6

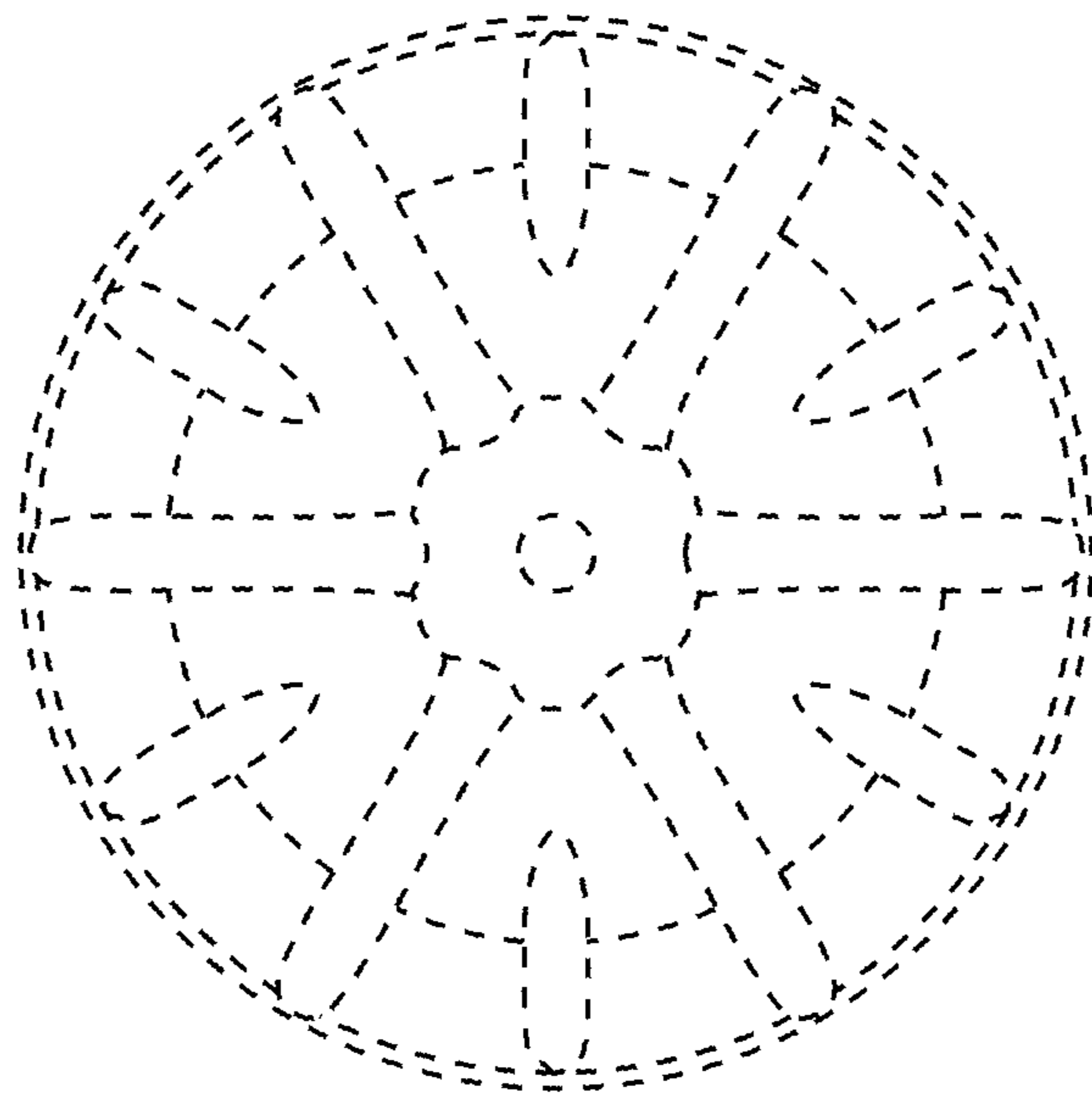


FIG. 7