



US00D830181S

(12) **United States Design Patent** (10) **Patent No.:** **US D830,181 S**  
**Druart et al.** (45) **Date of Patent:** **\*\* Oct. 9, 2018**

(54) **PLASTIC BOTTLE**  
(71) Applicant: **Industries Lassonde Inc.**, Rougemont (CA)  
(72) Inventors: **Fabien Druart**, Duluth, GA (US); **Dena Wade**, Cumming, GA (US)  
(73) Assignee: **Industries Lassonde Inc.**, Rougemont, Quebec (CA)  
(\*\*) Term: **14 Years**

D613,166 S *	4/2010	Bentley .....	D9/502
D642,471 S *	8/2011	White .....	D9/502
D653,951 S *	2/2012	Scott .....	D9/502
D689,375 S *	9/2013	Garner .....	D9/502
D740,663 S *	10/2015	Zeboudj .....	D9/502
D746,685 S *	1/2016	Foley .....	D9/453
D746,686 S *	1/2016	Yourist .....	D9/502
D746,687 S *	1/2016	Yourist .....	D9/502
D746,688 S *	1/2016	Yourist .....	D9/502
D755,049 S *	5/2016	Clark .....	D9/502
D762,121 S *	7/2016	Druart .....	D9/516
D783,406 S *	4/2017	Melrose .....	D9/516
D789,745 S *	6/2017	Rashid .....	D7/523

\* cited by examiner

(21) Appl. No.: **29/516,428**  
(22) Filed: **Feb. 2, 2015**  
(51) **LOC (11) Cl.** ..... **09-01**  
(52) **U.S. Cl.**  
USPC ..... **D9/537**  
(58) **Field of Classification Search**  
USPC ..... D9/434-436, 451, 542, 558, 521, 440,  
D9/447, 499, 500, 502, 503, 504, 516,  
D9/544, 553, 574; D15/136; D24/224;  
D7/300.1, 615; D27/183, 190; D19/93  
CPC ..... B29D 22/003; B65D 23/00; B65D 81/00;  
B65D 83/00; B65D 1/00; B65D 1/02;  
B65D 1/0223; B65D 2501/00; B65D  
2501/0009  
See application file for complete search history.

*Primary Examiner* — Sheryl Lane  
*Assistant Examiner* — Calvin E Vansant  
(74) *Attorney, Agent, or Firm* — Quarles & Brady LLP

(57) **CLAIM**

We claim the ornamental design for a plastic bottle, as shown and described.

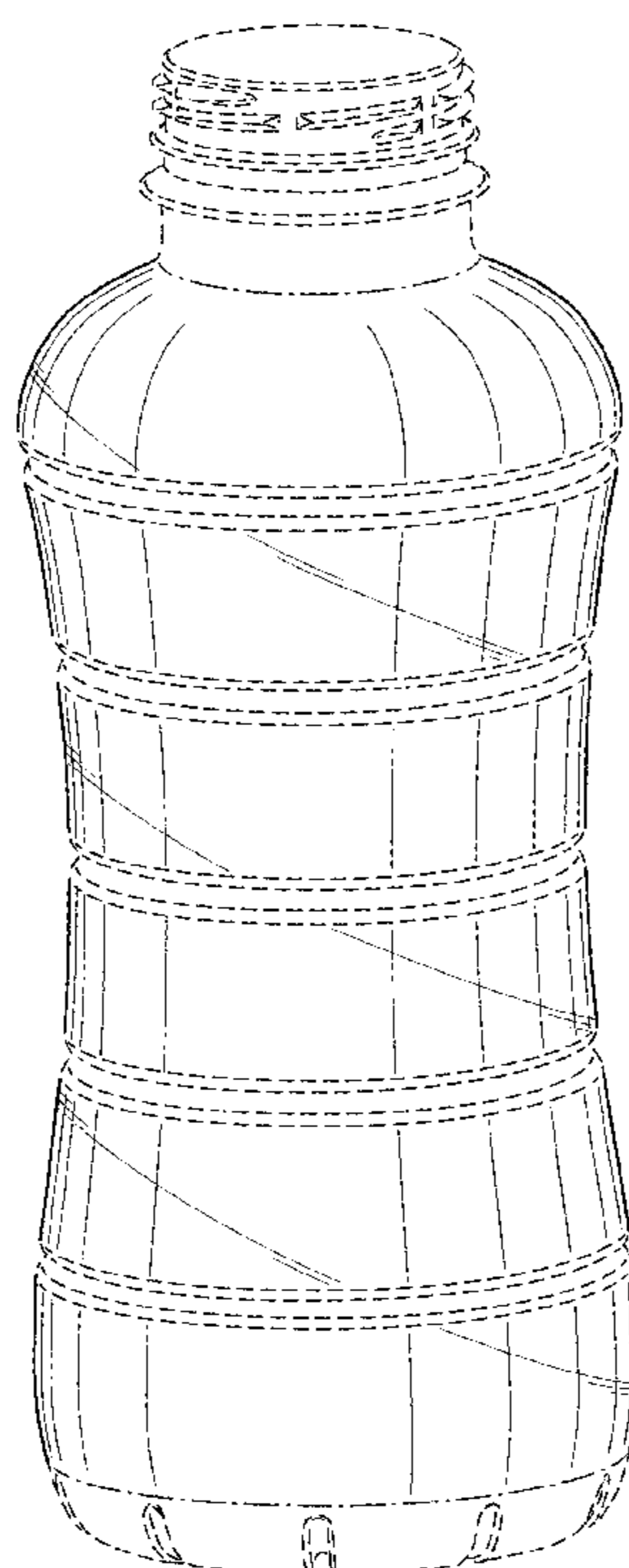
**DESCRIPTION**

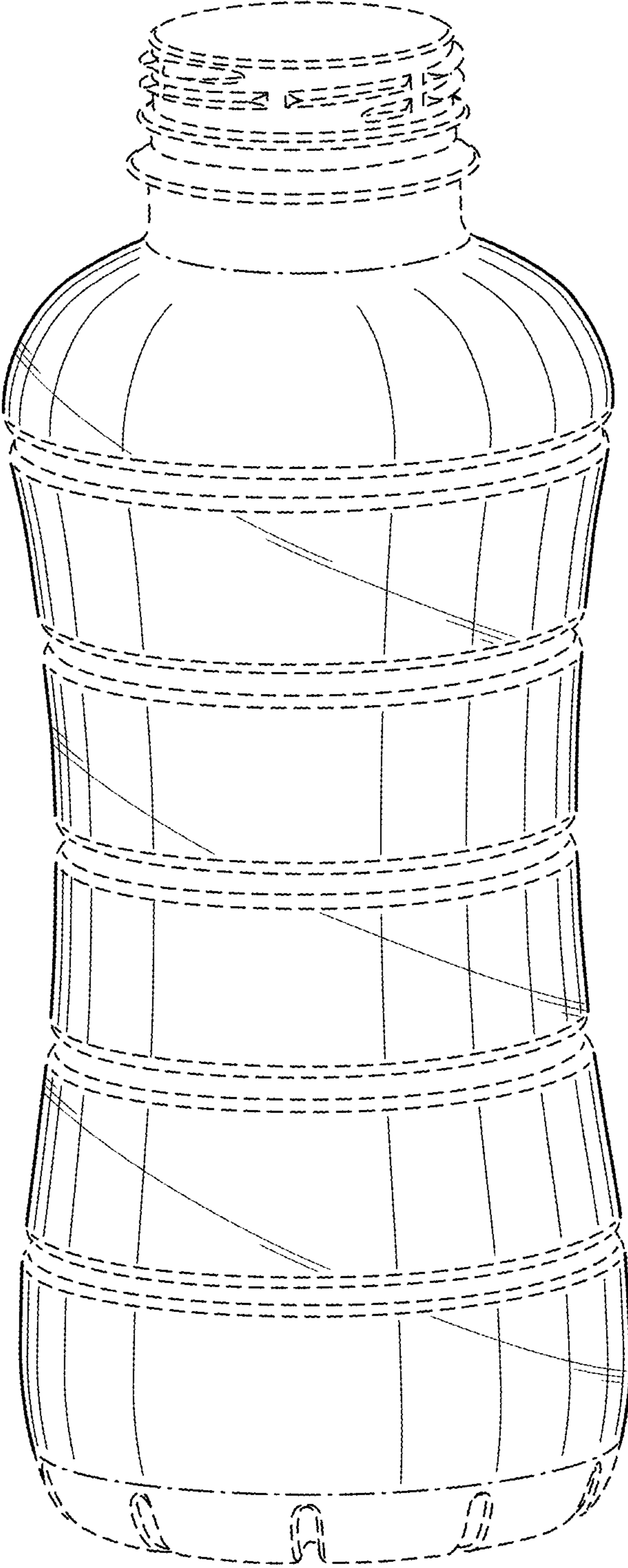
FIG. 1 is a perspective view of a plastic bottle according to a first embodiment of the present design; FIG. 2 is an elevational view of the plastic bottle of FIG. 1; FIG. 3 is a top view of the plastic bottle of FIG. 1; and, FIG. 4 is a bottom view of the plastic bottle of FIG. 1. The dash-dot-dash broken lines define the boundary of the design and form no part of the claim. The dashed broken lines depict portions of the plastic bottle that form no part of the claim.

(56) **References Cited**  
U.S. PATENT DOCUMENTS

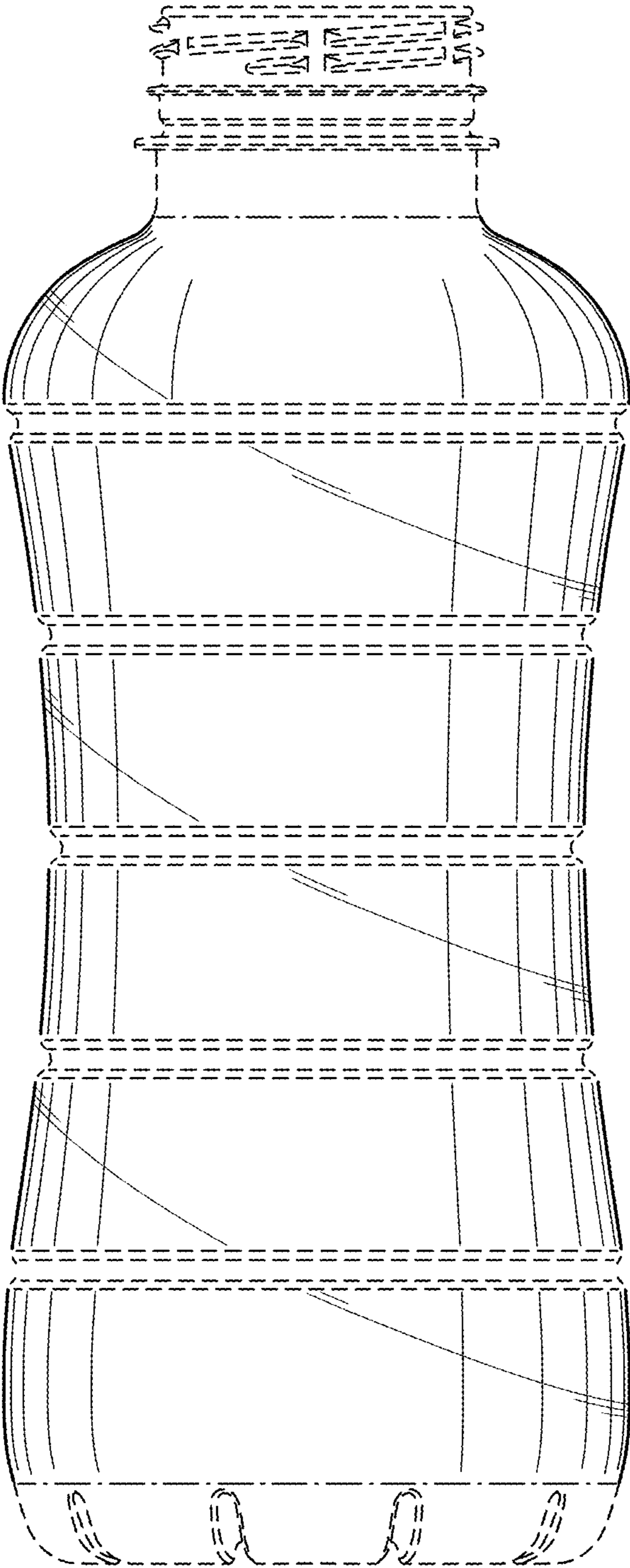
D421,910 S *	3/2000	Warner .....	D9/520
D608,203 S *	1/2010	Yourist .....	D9/502

**1 Claim, 3 Drawing Sheets**

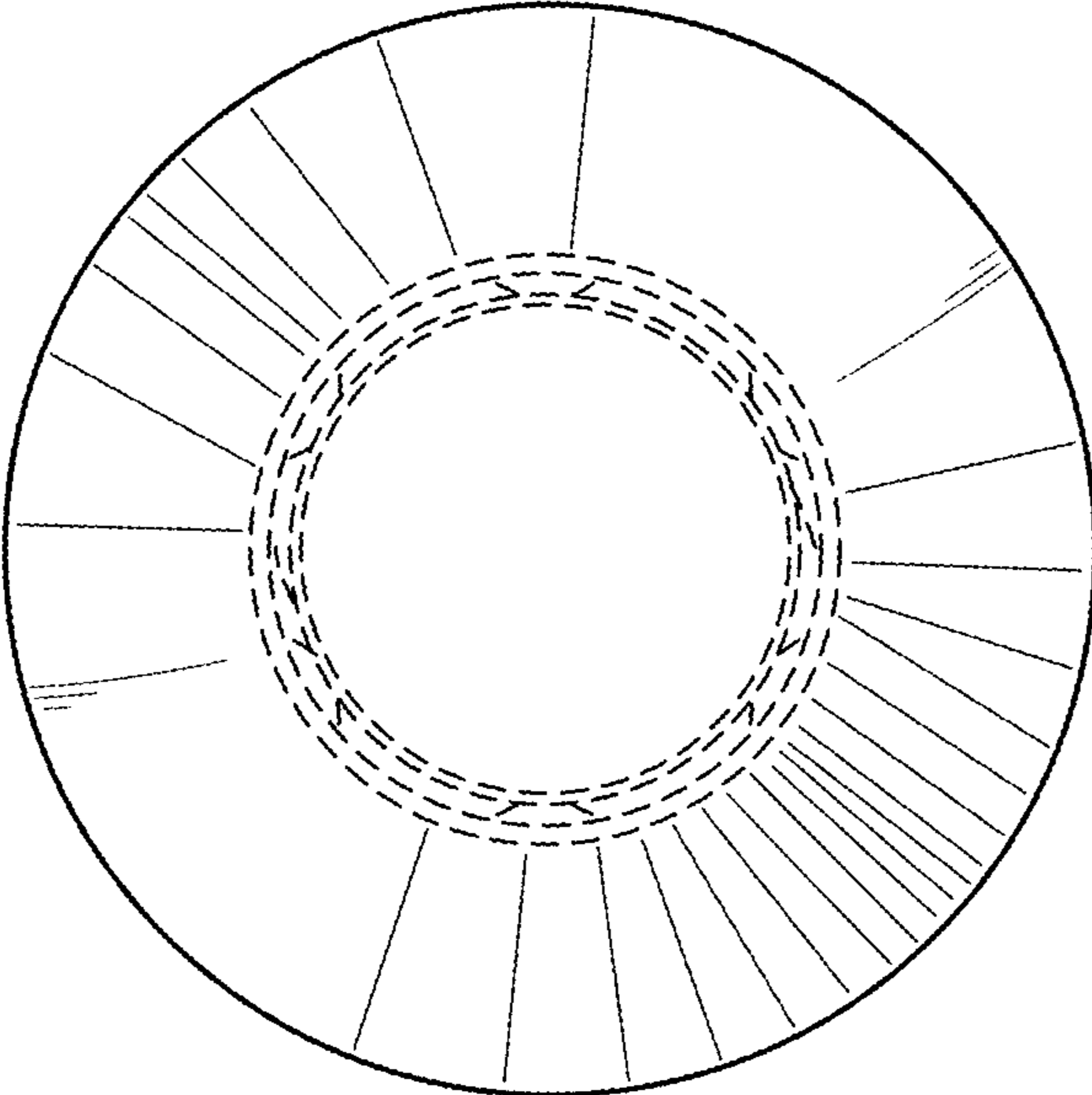




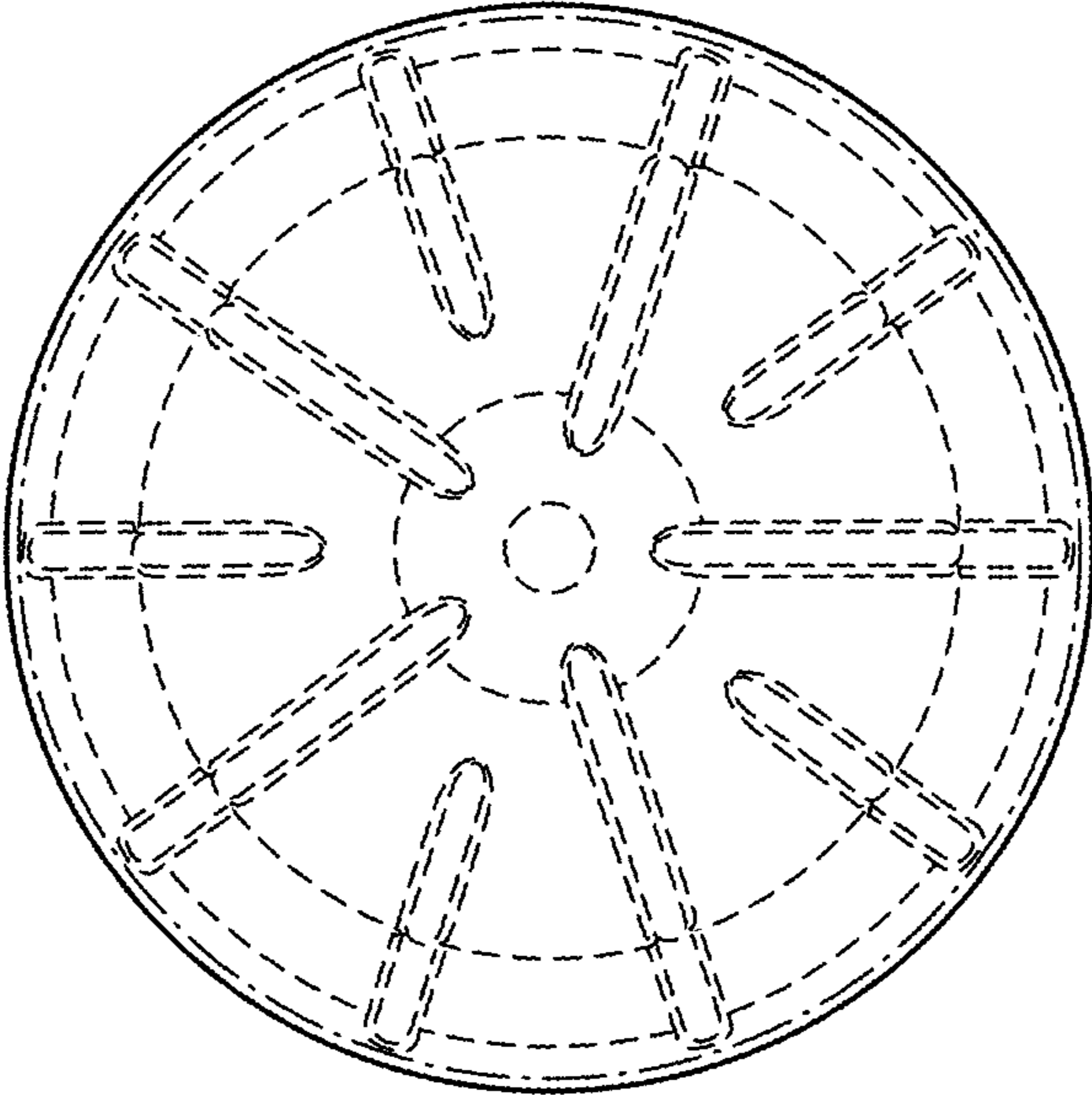
**FIG. 1**



**FIG. 2**



**FIG. 3**



**FIG. 4**