



US00D830180S

(12) **United States Design Patent**  
**Melkonian**

(10) **Patent No.:** **US D830,180 S**  
(45) **Date of Patent:** **\*\* Oct. 9, 2018**

(54) **BOTTLE**  
(71) Applicant: **DOWN TOWN WHOLESALERS, INC.,** Vernon, CA (US)  
(72) Inventor: **Arman Melkonian,** Granada Hills, CA (US)  
(\*\*) Term: **15 Years**

D474,692 S \* 5/2003 Yu ..... D9/531  
6,910,596 B2 6/2005 Herckner  
7,097,061 B2 \* 8/2006 Simpson, Jr. .... B65D 1/0223  
215/373  
D531,512 S 11/2006 Yu  
D563,791 S \* 3/2008 Kleckauskas ..... D9/531  
D605,946 S \* 12/2009 Manderfield, Jr. .... D9/531  
D624,822 S \* 10/2010 Lovelace, Jr. .... D9/531  
D651,854 S \* 1/2012 Cabados ..... D7/510  
D719,028 S \* 12/2014 Tiet ..... D9/531  
D750,434 S \* 3/2016 Kirkpatrick ..... D7/510

(21) Appl. No.: **29/639,784**

\* cited by examiner

(22) Filed: **Mar. 8, 2018**

*Primary Examiner* — Derrick E Holland

(51) **LOC (11) Cl.** ..... **09-01**

*Assistant Examiner* — Janice Patyk

(52) **U.S. Cl.**  
USPC ..... **D9/531**

(74) *Attorney, Agent, or Firm* — Demirjian Law Offices;  
Sevag Demirjian

(58) **Field of Classification Search**  
USPC ..... D9/522, 530, 531, 543, 549, 558, 564,  
D9/565, 569, 572, 573; 215/40, 44, 200,  
215/381–384, 396; 220/288, 662, 669,  
220/675, 752, 755, 771; 222/189, 209;  
426/115

(57) **CLAIM**

The ornamental design for a bottle, as shown and described.

CPC ..... B65D 1/02; B65D 1/0223; B65D 1/0246;  
B65D 5/46; B65D 41/00; B65D 41/02;  
B65D 41/04; B65D 2501/00; B65D  
2501/0009

**DESCRIPTION**

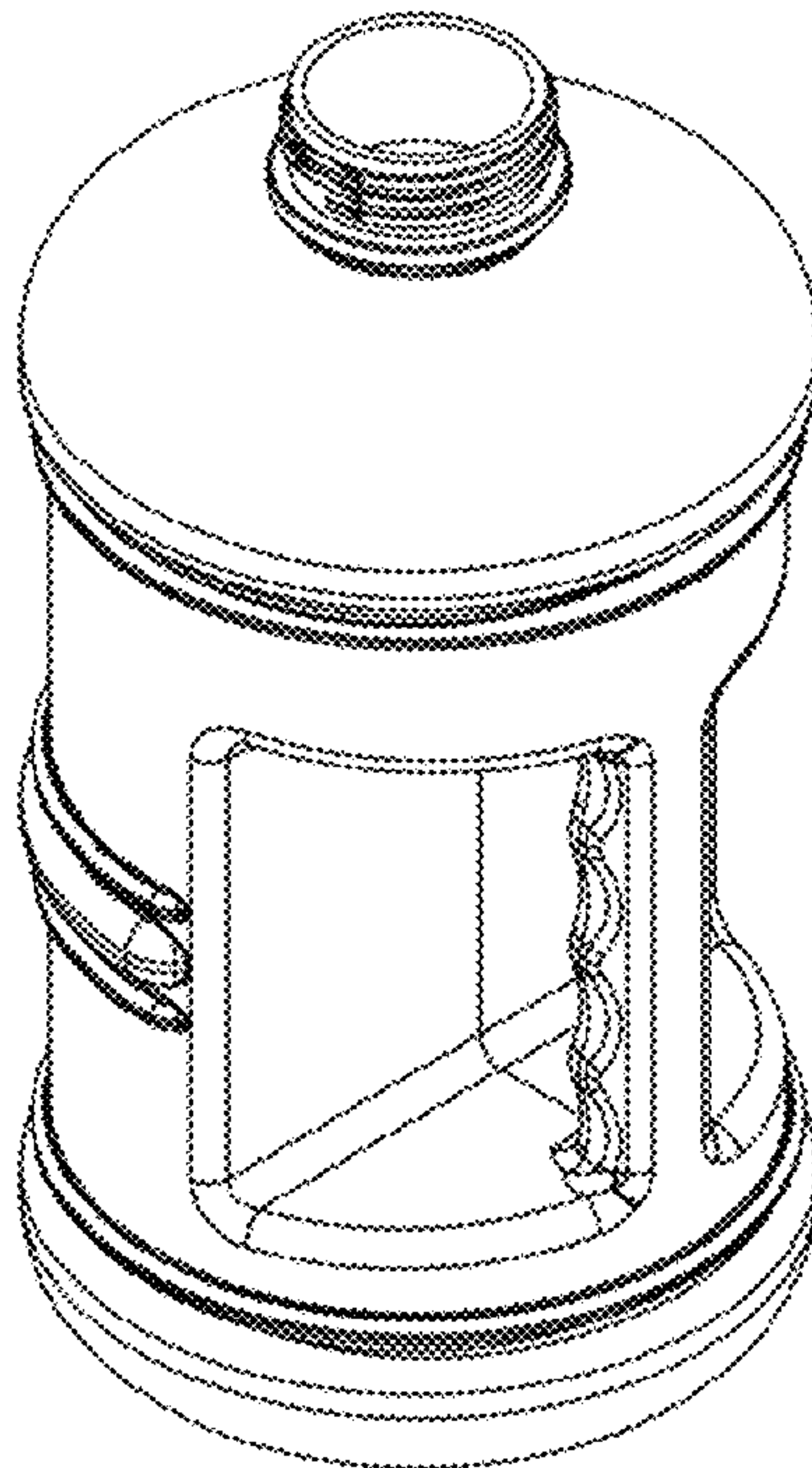
See application file for complete search history.

FIG. 1 is a top, front, side perspective view of a bottle, showing my new design;  
FIG. 2 is a left side elevation view thereof, the right side elevation view being a mirror image thereof;  
FIG. 3—Front side elevation view thereof; and,  
FIG. 4—Top plan view thereof.

(56) **References Cited**  
U.S. PATENT DOCUMENTS

**1 Claim, 4 Drawing Sheets**

D339,067 S 9/1993 Rokus  
D419,885 S 2/2000 Gonzalez



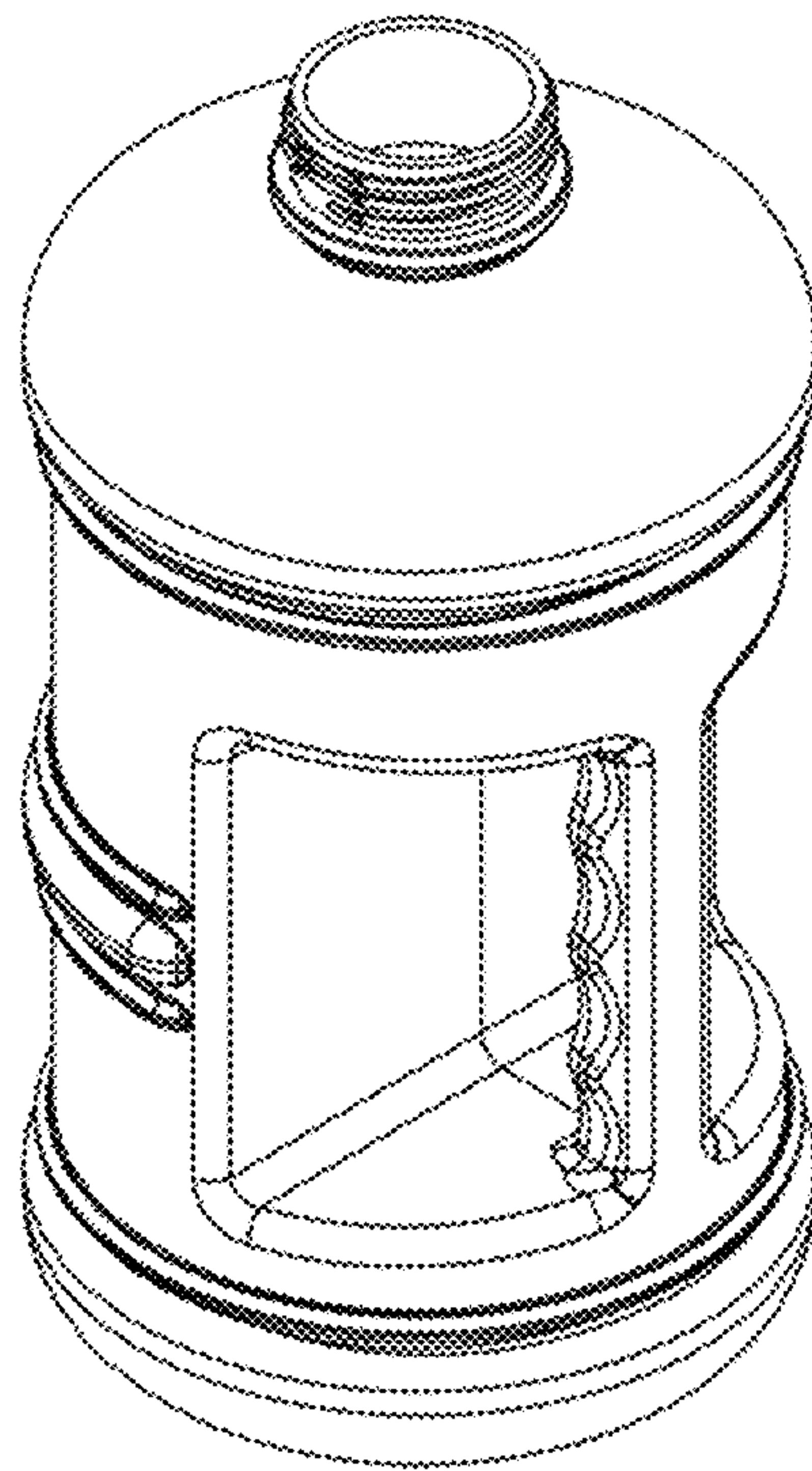


FIG. 1

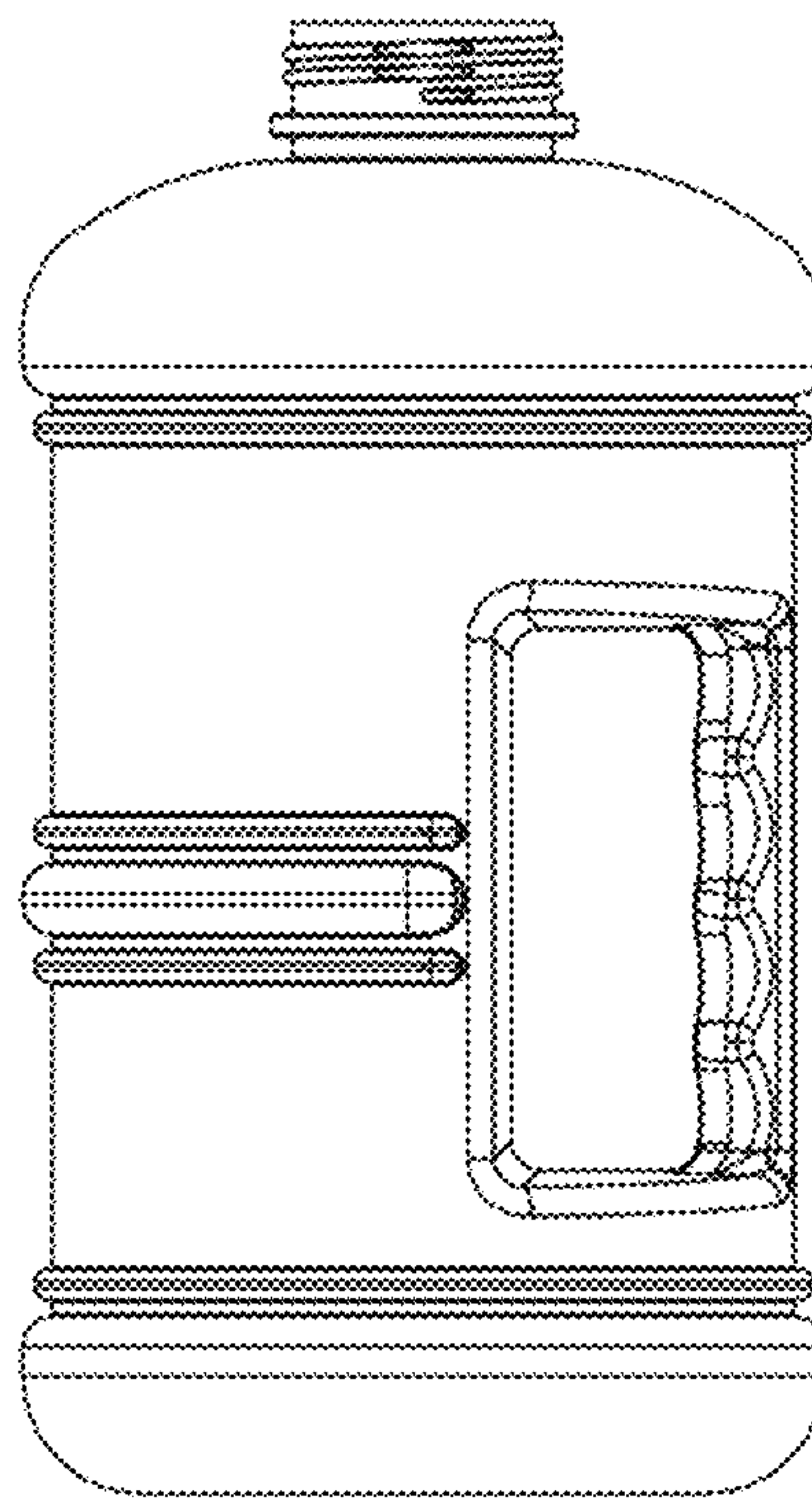


FIG. 2

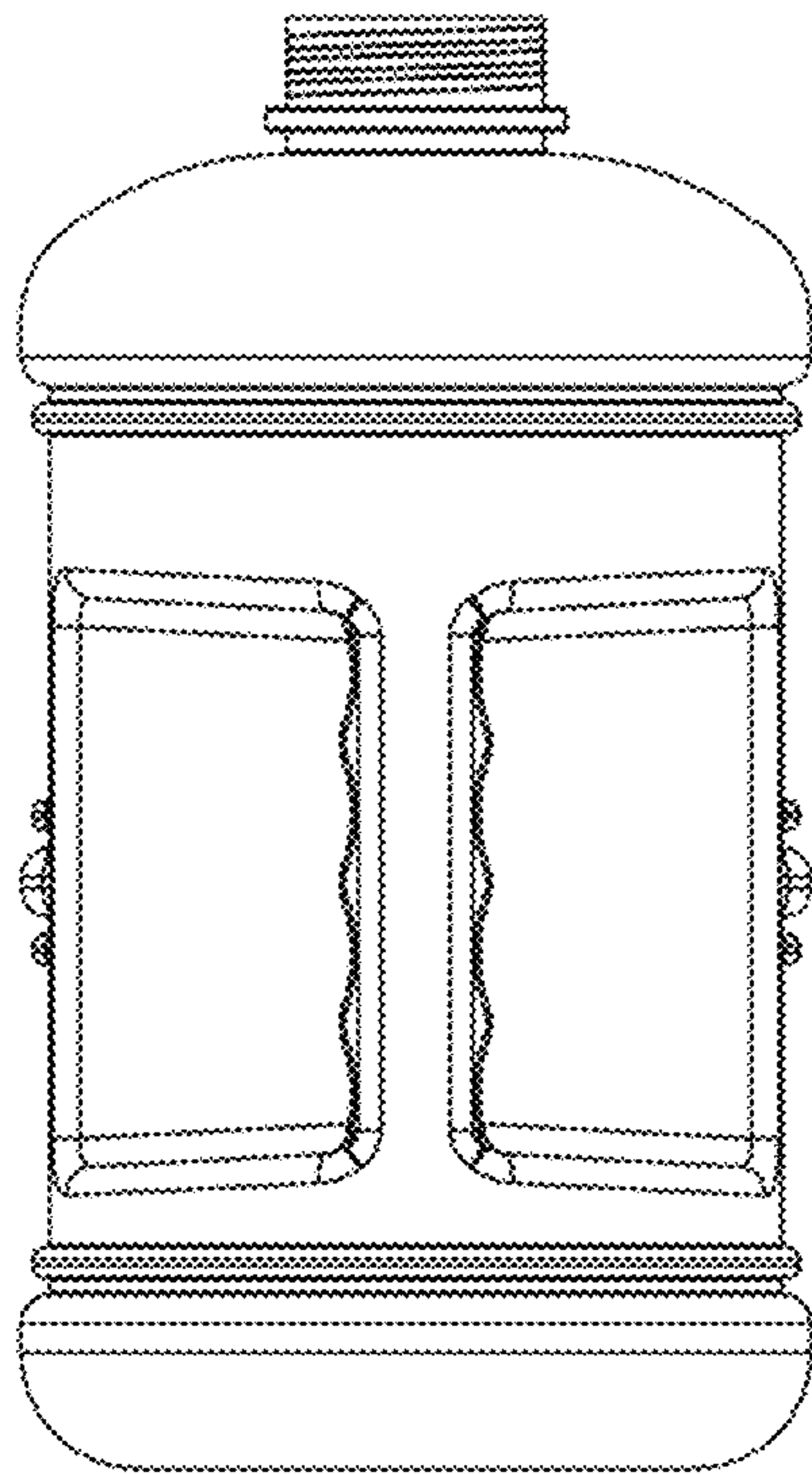


FIG. 3

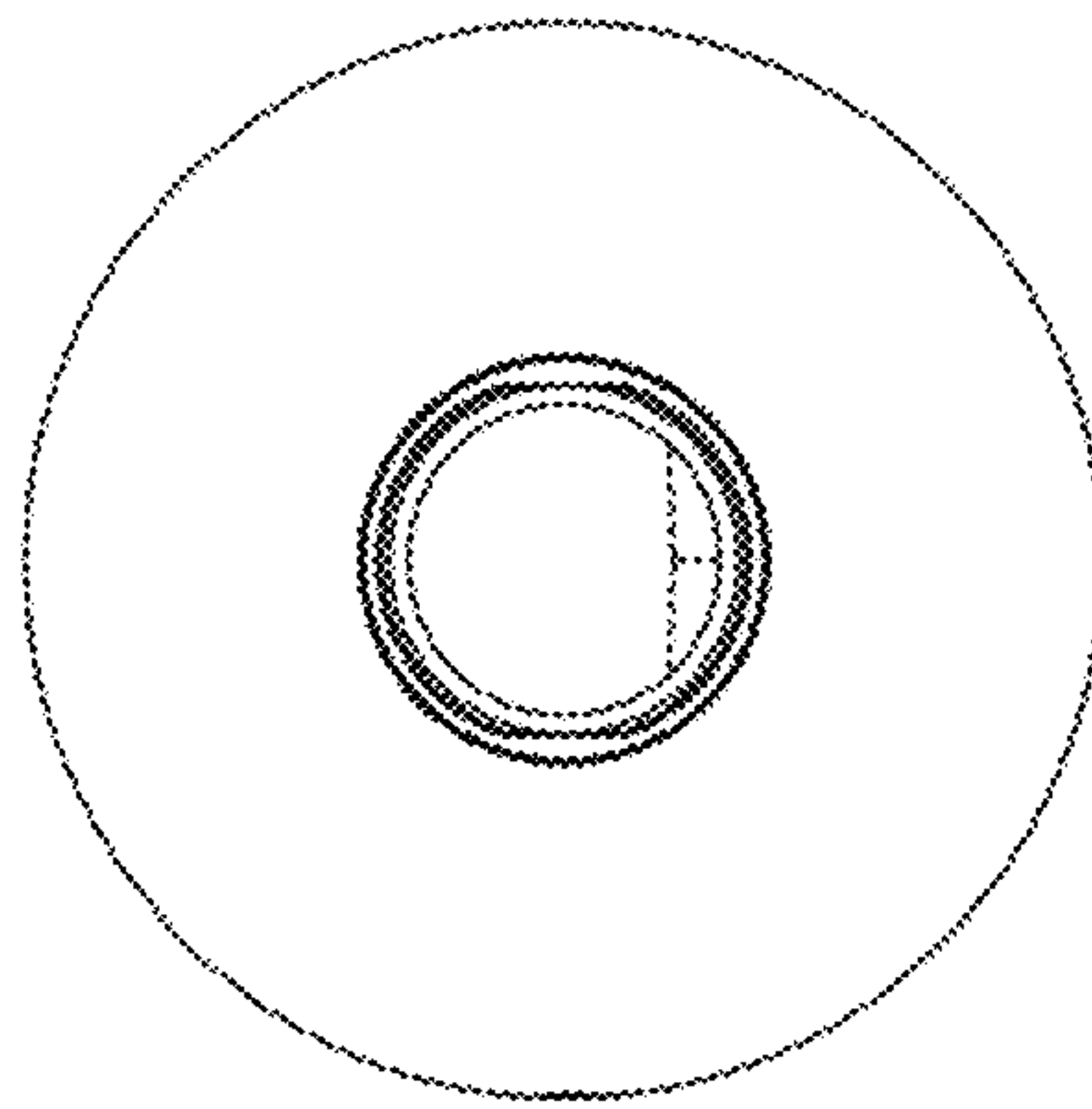


FIG. 4