



US00D830179S

(12) **United States Design Patent**
Spiegel

(10) **Patent No.:** **US D830,179 S**

(45) **Date of Patent:** **** Oct. 9, 2018**

(54) **BOTTLE**

(71) Applicant: **H. Jay Spiegel**, Mount Vernon, VA
(US)

(72) Inventor: **H. Jay Spiegel**, Mount Vernon, VA
(US)

(**) Term: **15 Years**

(21) Appl. No.: **29/540,547**

(22) Filed: **Sep. 25, 2015**

(51) **LOC (11) Cl.** **09-01**

(52) **U.S. Cl.**
USPC **D9/531; D9/540; D30/121**

(58) **Field of Classification Search**
USPC D9/516, 523, 528, 530, 531, 533, 572,
D9/575, 715, 719; D30/121, 129, 132,
D30/133; D7/300, 300.1, 305, 306, 533,
D7/589, 590, 600-602
CPC . B65D 85/00; B65D 1/12; B65D 1/18; B65D
1/20; B65D 21/0237; A01K 5/0114;
A01K 5/0225; A01K 7/02; A01K 39/026
See application file for complete search history.

(56) **References Cited**

U.S. PATENT DOCUMENTS

D212,588 S	*	11/1968	Platte	D9/560
D235,192 S	*	5/1975	Olsen	D13/119
D276,591 S	*	12/1984	Guiguizian	D9/520
D311,862 S	*	11/1990	Cullis	D7/300
D332,544 S	*	1/1993	Steiner	D6/545
D358,097 S	*	5/1995	Leibowitz	D30/132
D358,548 S	*	5/1995	Platte	D7/313
D364,942 S	*	12/1995	VanSkiver	D30/121
D457,692 S	*	5/2002	Skurdalsvold	D30/132

D485,189 S	*	1/2004	Montalbano	D9/528
D514,940 S	*	2/2006	Darr	D9/523
D528,425 S	*	9/2006	Van Dorin	D9/524
D533,458 S	*	12/2006	Weggelaar	D9/521
D569,476 S	*	5/2008	Munlin	D23/211.1
D609,102 S	*	2/2010	Matlin	D9/527
D659,298 S	*	5/2012	Obeyesekere	D30/121
D689,245 S	*	9/2013	Rowe	D30/132
D699,901 S	*	2/2014	McCallum	D30/132
D702,002 S	*	4/2014	Petrek	D30/121
D704,391 S	*	5/2014	Tan	D30/132
D705,288 S	*	5/2014	Zimmerman	D15/150
D769,123 S	*	10/2016	Hegarty	D9/527
D769,547 S	*	10/2016	Spiegel	D30/121
D769,548 S	*	10/2016	Spiegel	D30/121
D781,068 S	*	3/2017	Brownley	D6/545
2015/0096649 A1	*	4/2015	Lathim	A01K 5/0114 141/324

* cited by examiner

Primary Examiner — Ian Simmons

Assistant Examiner — Keith Frank

(74) *Attorney, Agent, or Firm* — H. Jay Spiegel

(57) **CLAIM**

The ornamental design for a bottle, as shown and described.

DESCRIPTION

FIG. 1 is a perspective view of a bottle showing my new design;

FIG. 2 is a front elevation with thereof;

FIG. 3 is a rear elevation view thereof;

FIG. 4 is a left side elevation view thereof;

FIG. 5 is a right side elevation view thereof;

FIG. 6 is a top plan view thereof; and,

FIG. 7 is a bottom plan view thereof.

1 Claim, 3 Drawing Sheets

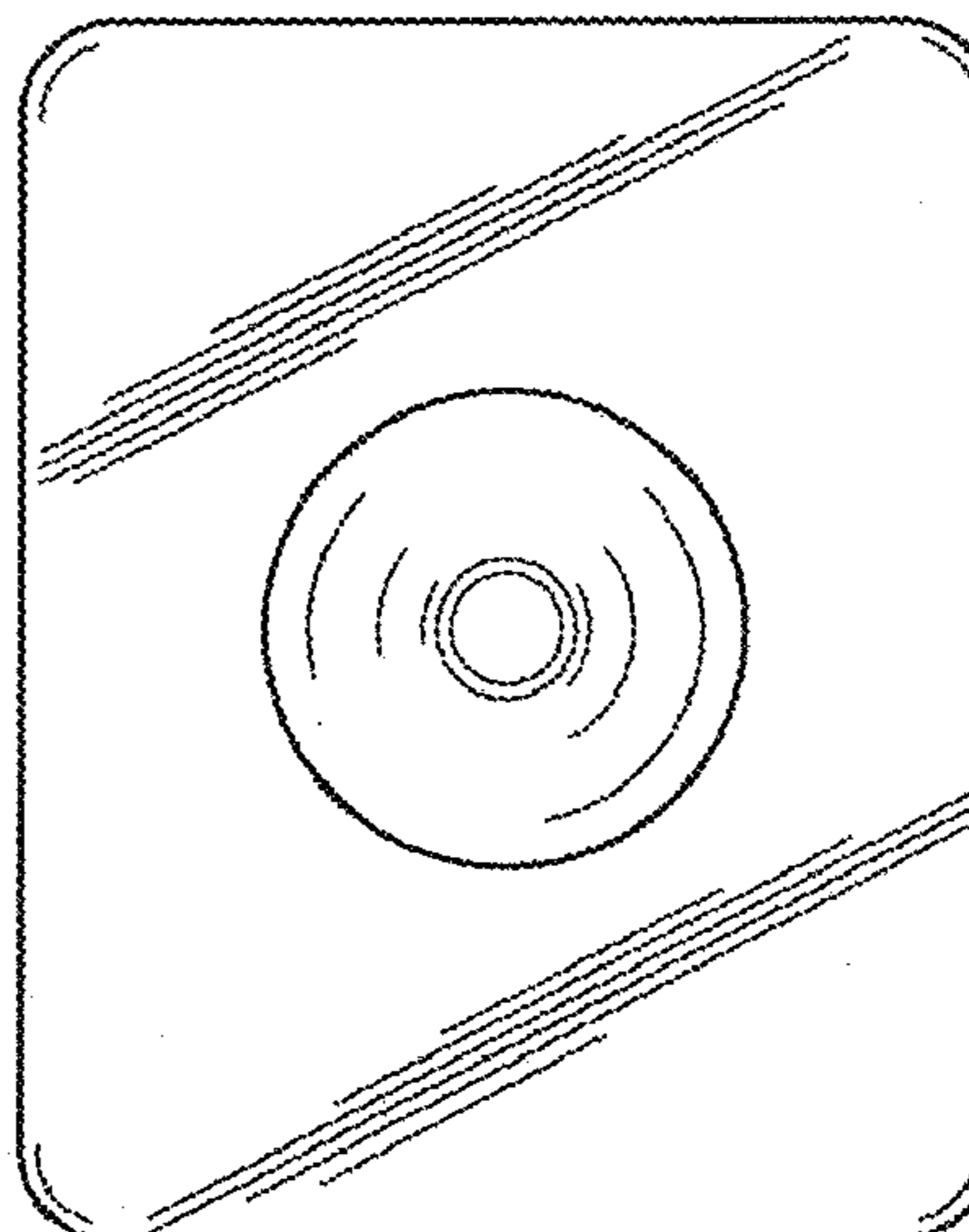
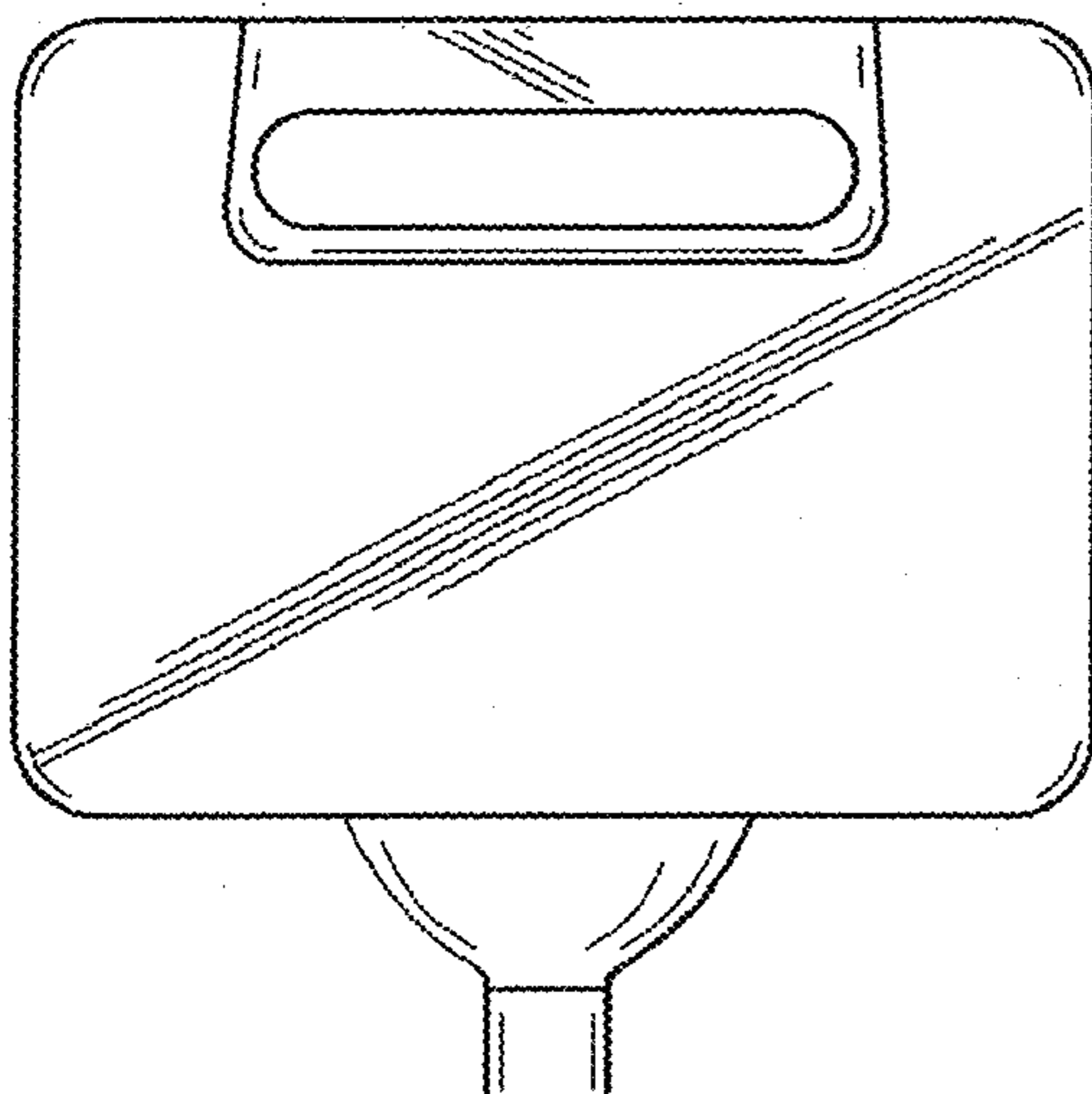


FIG. 1

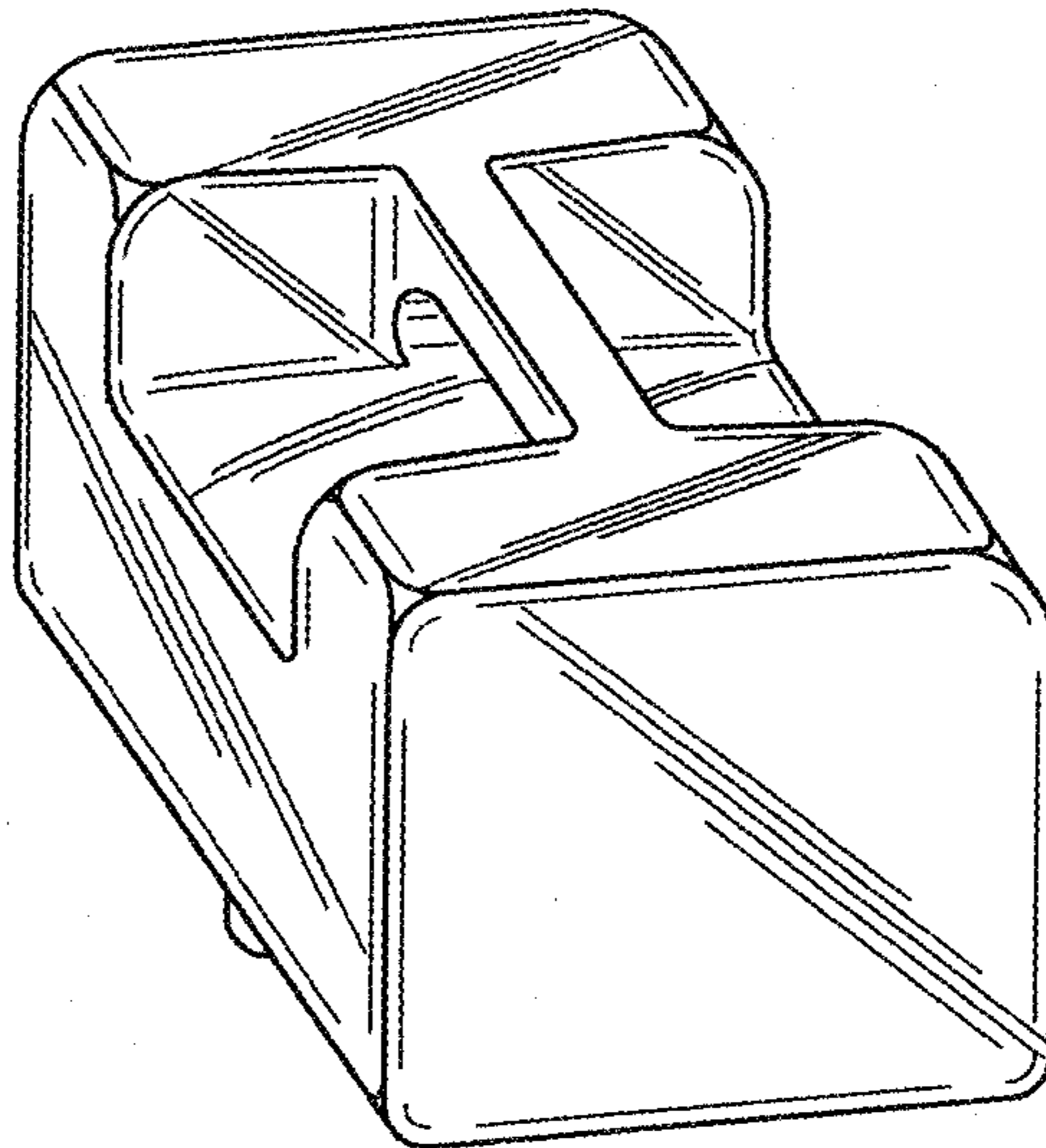


FIG. 2

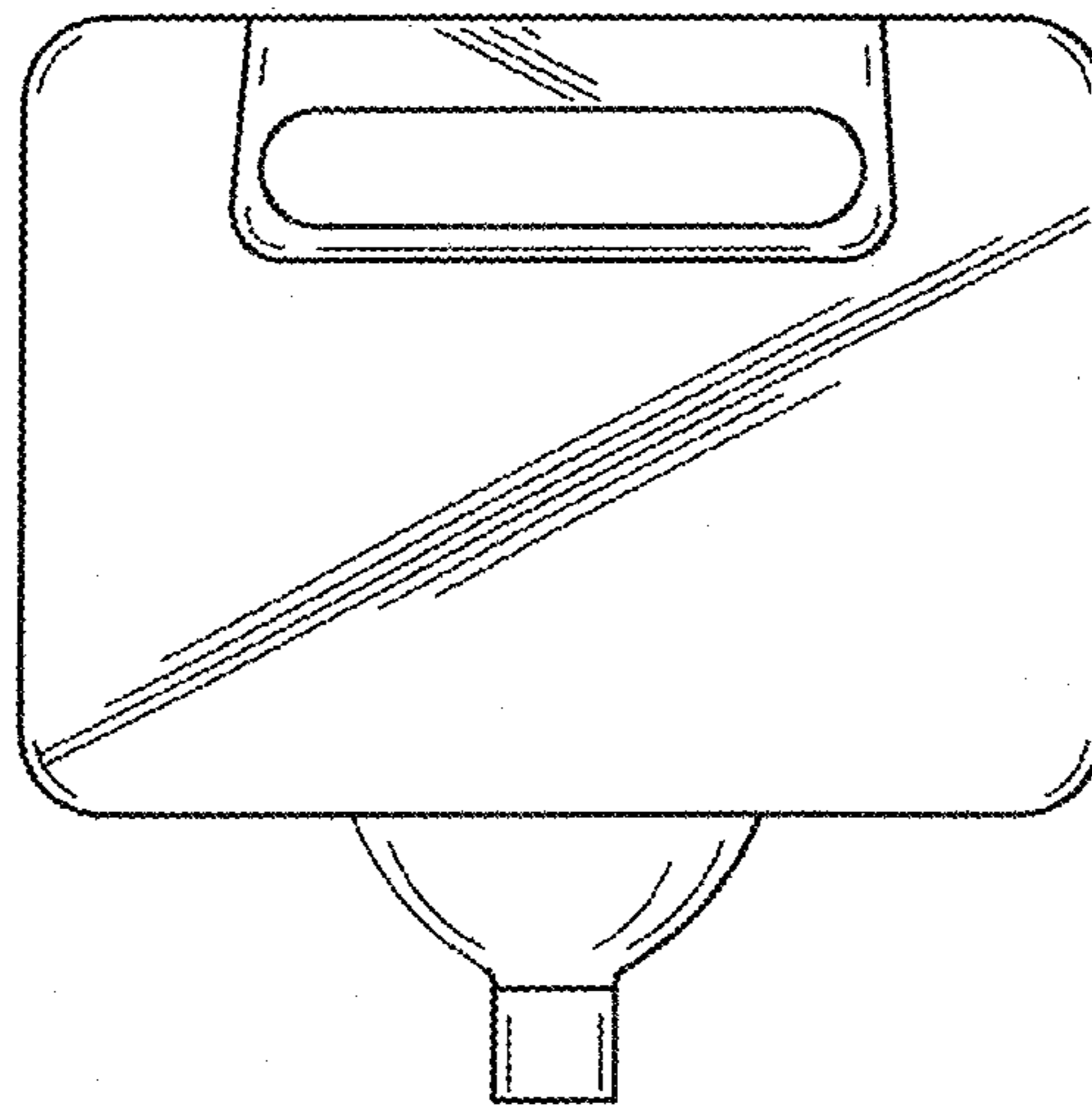


FIG. 3

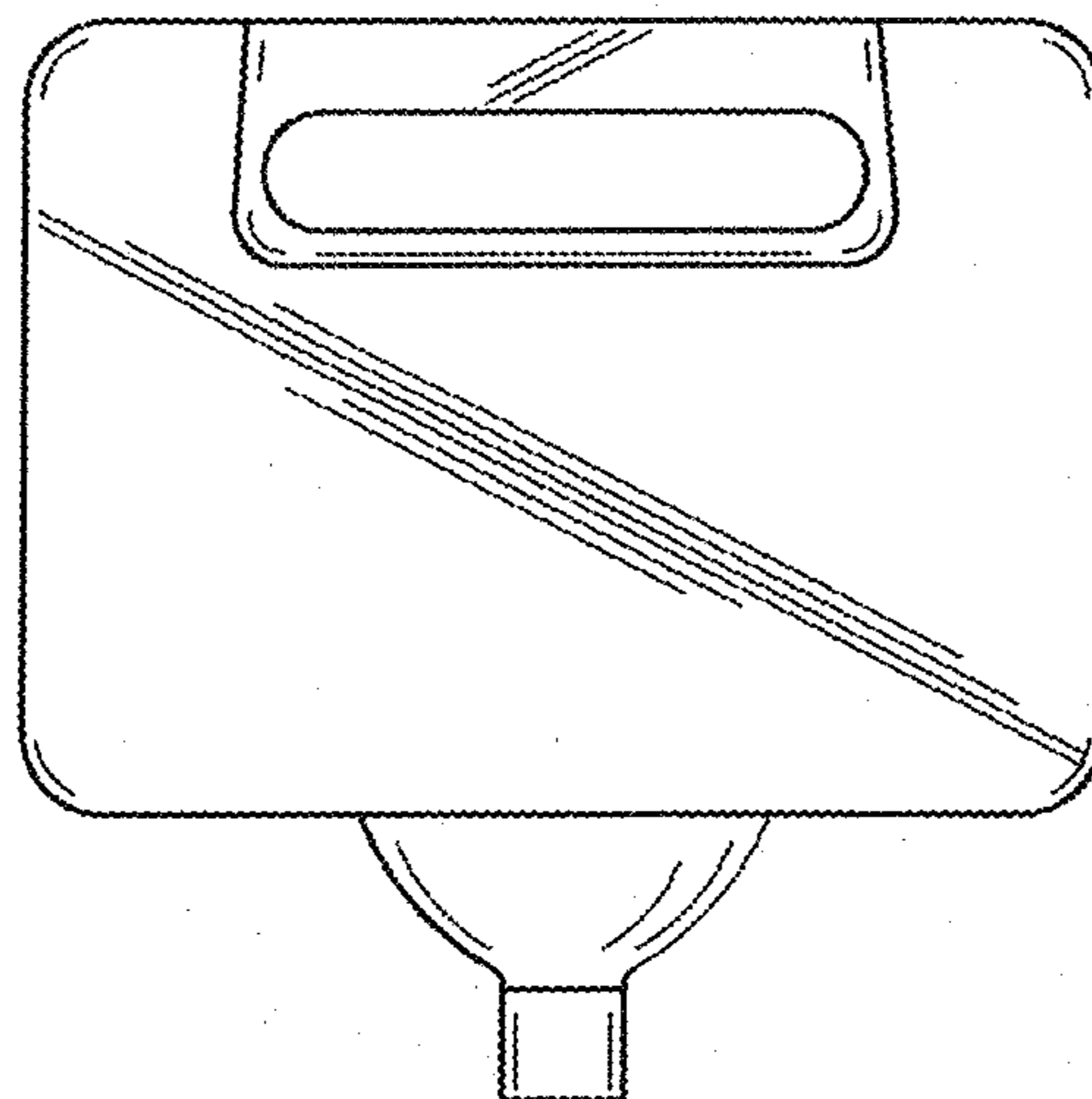


FIG. 4

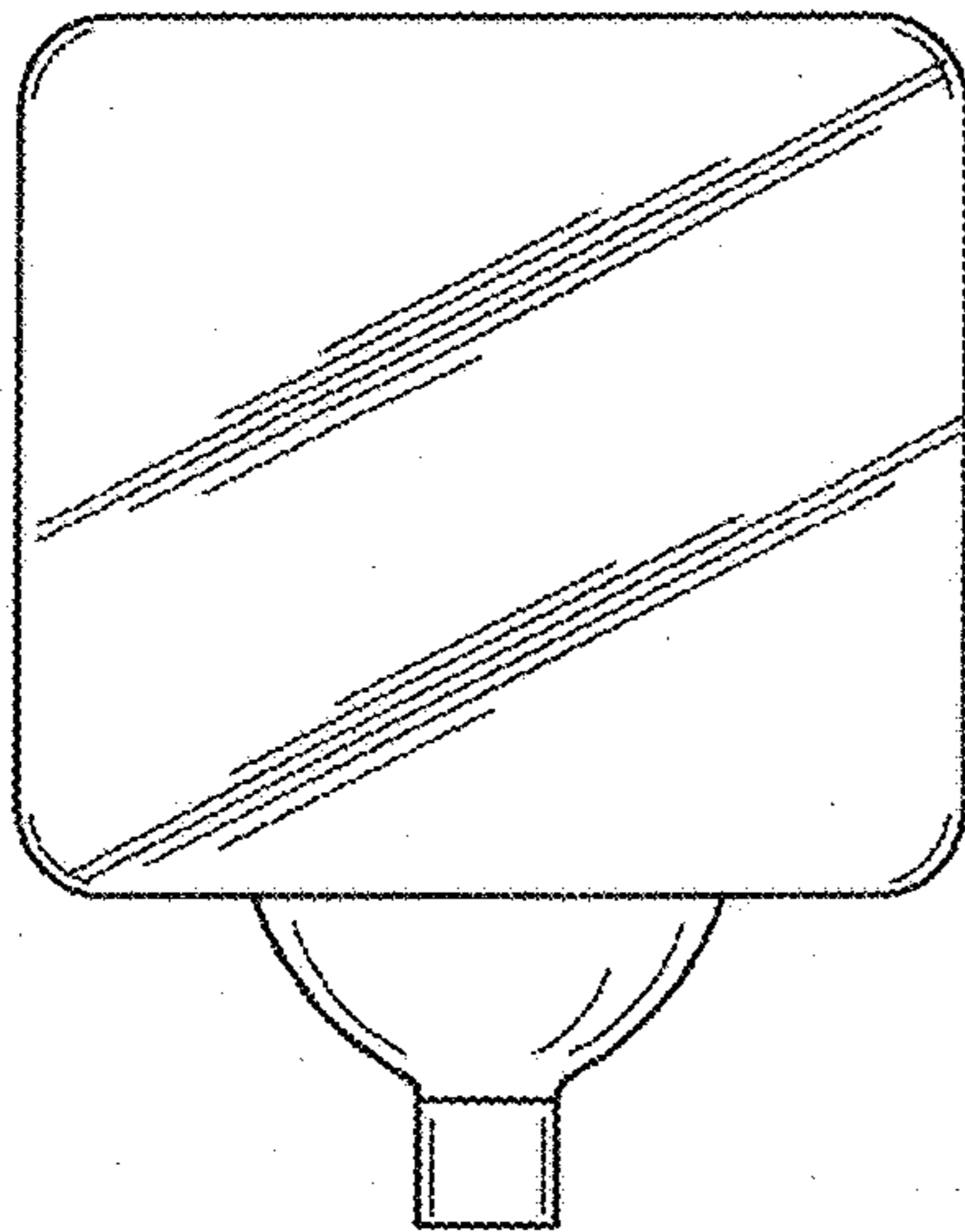


FIG. 5

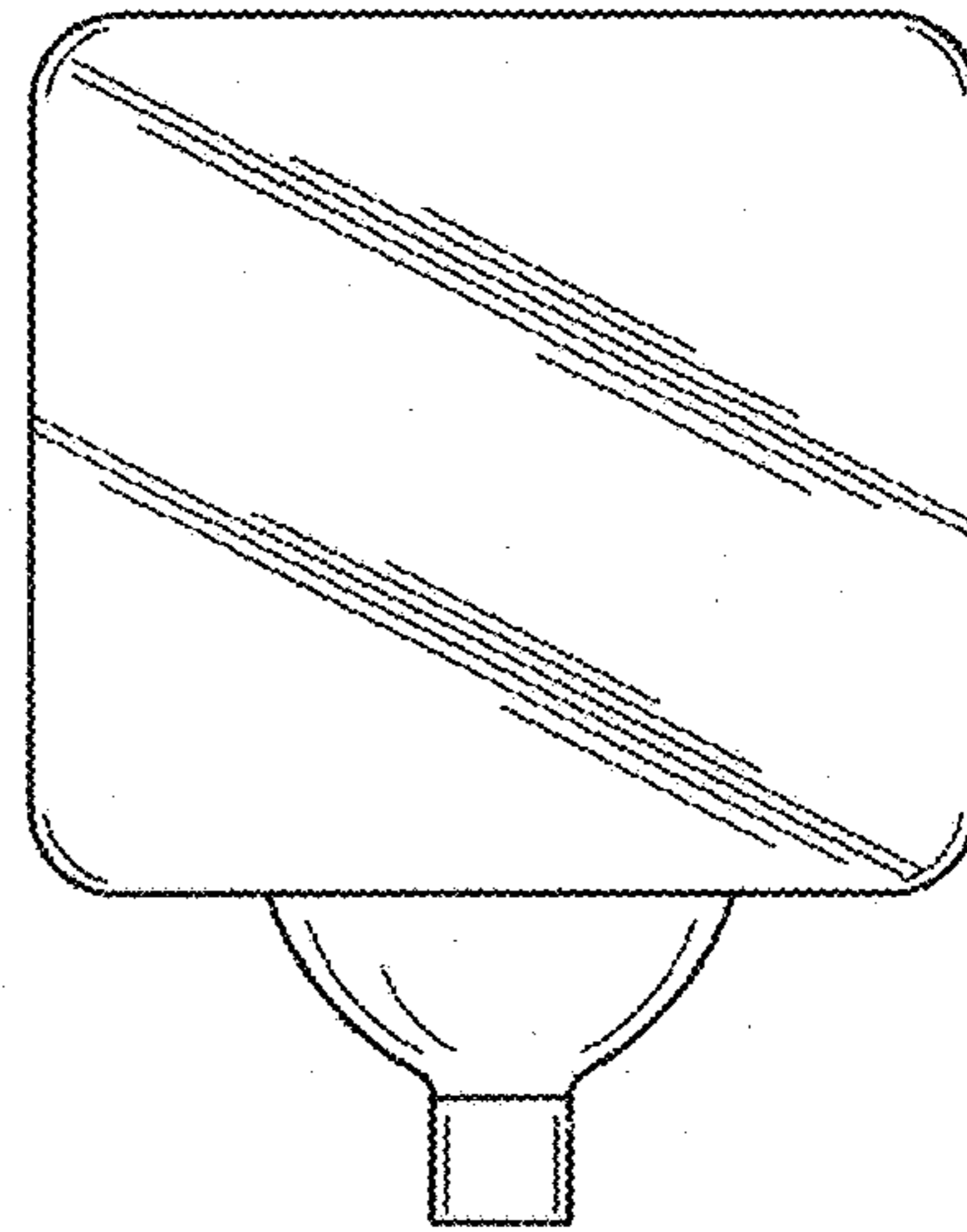


FIG. 6

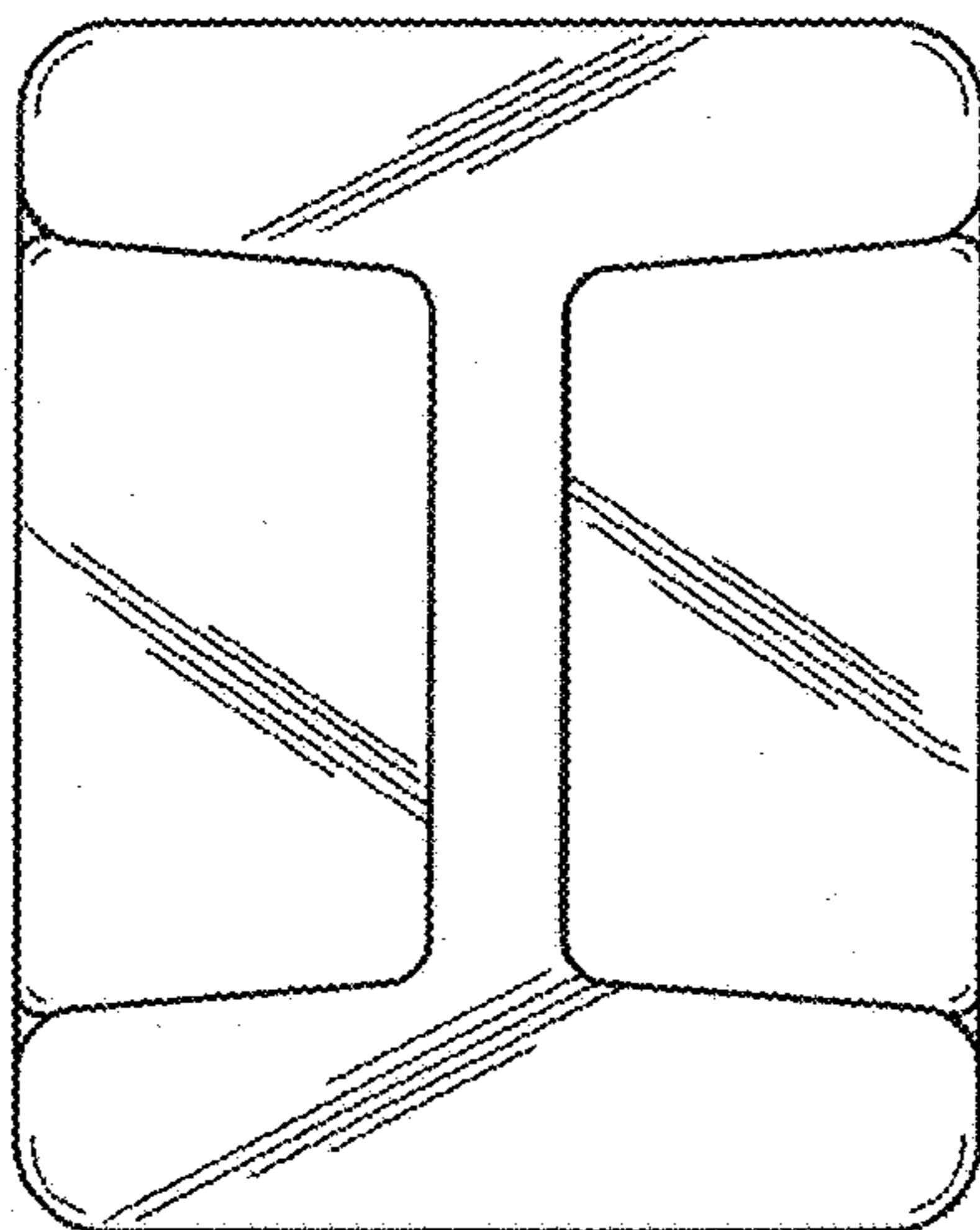


FIG. 7

