



US00D830175S

(12) **United States Design Patent**
Rognard

(10) **Patent No.:** **US D830,175 S**
(45) **Date of Patent:** **** Oct. 9, 2018**

(54) **CONTAINER NECK**

- (71) Applicant: **Obrist Closures Switzerland GmbH**, Reinach (CH)
- (72) Inventor: **Jean-Yves Rognard**, Marcy-sur-Anse (FR)
- (73) Assignee: **Obrist Closures Switzerland GmbH**, Reinach (CH)
- (**) Term: **15 Years**
- (21) Appl. No.: **29/547,113**
- (22) Filed: **Dec. 1, 2015**
- (30) **Foreign Application Priority Data**

Jun. 1, 2015 (EM) 001435481-0001

- (51) **LOC (11) Cl.** **09-07**
- (52) **U.S. Cl.**
USPC **D9/454**
- (58) **Field of Classification Search**
USPC D3/302; D7/300, 300.1, 313, 314, 316, D7/387, 393, 396.1, 392.2, 396.2, 397, D7/398, 401.1, 436, 509, 510, 511, 523, D7/525, 526, 527, 528, 538, 602, 619.1, D7/900; D9/434, 435, 436, 437, 438, D9/440, 443, 446, 447, 448, 449, 452, D9/453, 454, 686, 688, 690, 723, 724, D9/763, 772; D24/121, 124; D28/76, D28/78, 82

(Continued)

(56) **References Cited**

U.S. PATENT DOCUMENTS

- 3,774,795 A 11/1973 Leenaards
- 4,795,044 A 1/1989 Beck

(Continued)

FOREIGN PATENT DOCUMENTS

- CN 2379425 Y 5/2000
- CN 1468189 A 1/2004

(Continued)

OTHER PUBLICATIONS

Plastic Filler Neck: Announced Apr. 16, 2016 [online], site visited Oct. 24, 2017. Available from Internet URL: <http://www.carmo.dk/gb/product/neck-flanges-caps/filler-flanges/03-735/>.*

(Continued)

Primary Examiner — Jennifer Rivard

Assistant Examiner — Catherine S Posthauer

(74) *Attorney, Agent, or Firm* — McCoy Russell LLP

(57) **CLAIM**

The ornamental design for a container neck, as shown and described.

DESCRIPTION

FIG. 1 is a first perspective view of a design for a container neck according to the present disclosure.

FIG. 2 is a second perspective view of the container neck of FIG. 1.

FIG. 3 is an enlarged cross section view of the container neck taken along line 3-3 of FIG. 2.

FIG. 4 is a first side view of the container neck of FIG. 1 in a first orientation.

FIG. 5 is a second side view of the container neck of FIG. 1 in a second orientation.

FIG. 6 is a third side view of the container neck of FIG. 1 in a third orientation.

FIG. 7 is a fourth side view of the container neck of FIG. 1 in a fourth orientation.

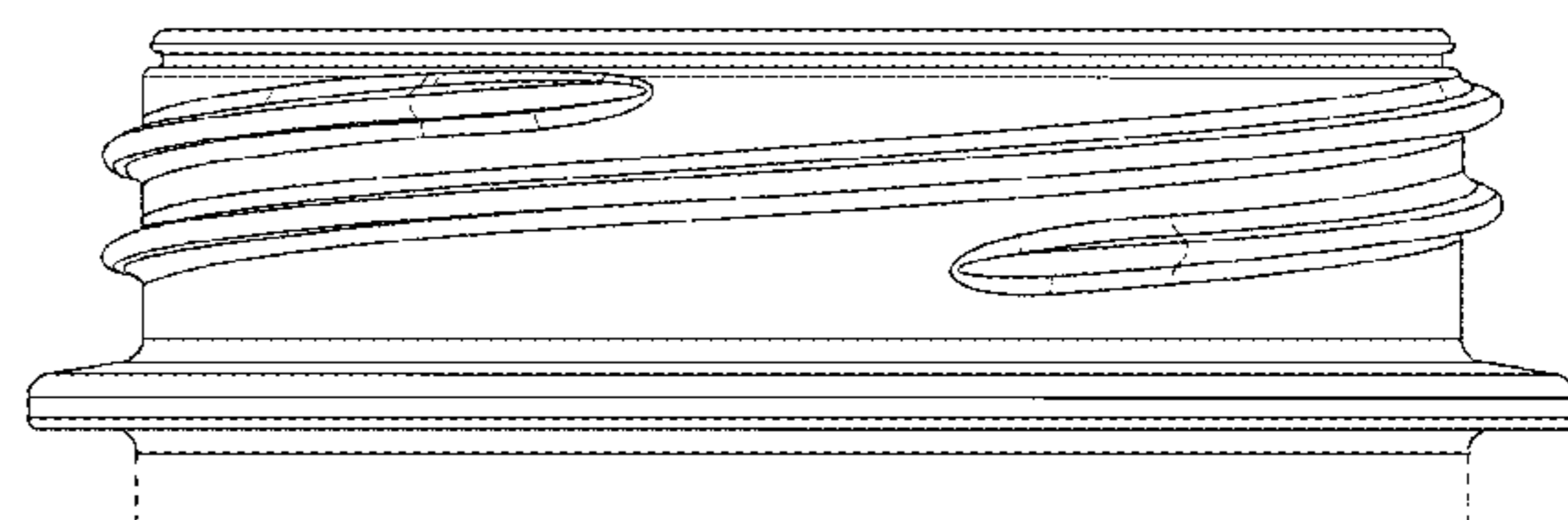
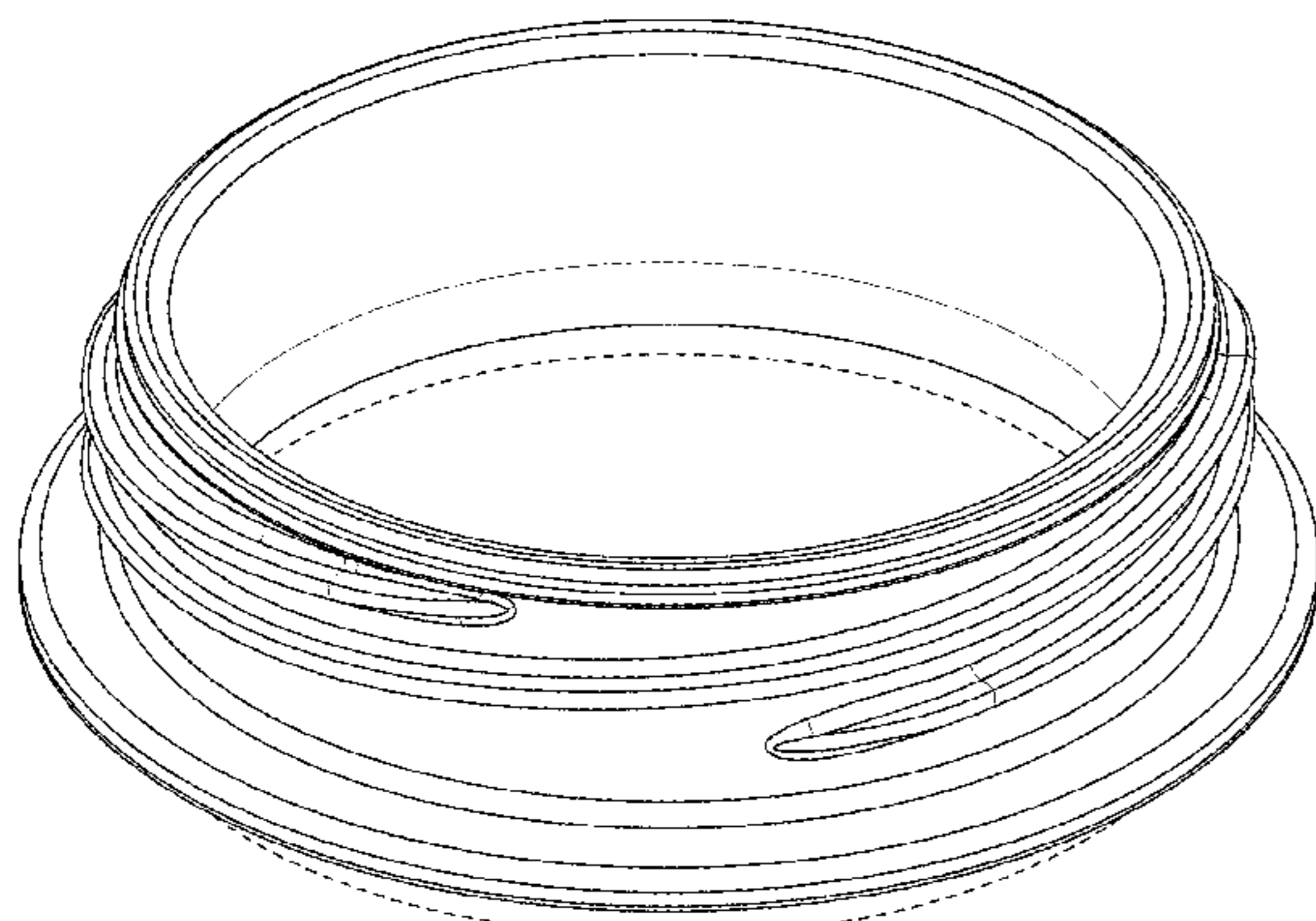
FIG. 8 is a top view of the container neck of FIG. 1.

FIG. 9 is a bottom view of the container neck of FIG. 1; and, FIG. 10 is a fourth perspective view of the container neck of FIG. 1 shown in a position of use on a portion of an exemplary container.

The solid lines in FIGS. 1-10 illustrate a container neck according to the present disclosure. The broken lines in FIGS. 1-9 are shown for the purpose of illustrating portions of the article that form no part of the claim. The broken lines in FIG. 10 represent environmental subject matter of a container and form no part of the claim.

The solid lines in FIGS. 1-10 illustrate a container neck according to the present disclosure. The broken lines in FIGS. 1-9 are shown for the purpose of illustrating portions of the article that form no part of the claim. The broken lines in FIG. 10 represent environmental subject matter of a container and form no part of the claim.

1 Claim, 10 Drawing Sheets



(58) **Field of Classification Search**

CPC A47G 19/2205; A47G 19/2222; A47G 19/2266; A47G 19/2272; A47G 19/2294; B65D 39/00; B65D 39/0005; B65D 39/02; B65D 39/08; B65D 39/14; B65D 39/19; B65D 41/00; B65D 41/02; B65D 41/005; B65D 41/023; B65D 41/026; B65D 41/0414; B65D 41/0421; B65D 41/0428; B65D 41/0471; B65D 41/0485; B65D 41/0492; B65D 41/16; B65D 41/17; B65D 41/26; B65D 41/32; B65D 41/34; B65D 50/00; B65D 50/041; B65D 53/00; B65D 53/02; B65D 53/04; B65D 55/00; B65D 55/02; B65D 55/024; B65D 43/02; B65D 43/14; B65D 43/26; B65D 43/0202; B65D 51/18; B65D 51/28; B65D 51/2821; B65D 51/2814; B65D 2251/0018; B65D 2251/0081; B65D 2251/0026; B65D 2251/009; B65D 2543/00046; B65D 47/08; B65D 47/265; B65D 1/02; A47J 36/10; A47J 36/14; A47J 36/06; A47J 43/27; A61J 1/1412; A61J 2205/50

See application file for complete search history.

(56) **References Cited**

U.S. PATENT DOCUMENTS

5,090,583 A 2/1992 Hoffman et al.
 5,284,273 A * 2/1994 Schreiber B65D 47/263
 222/39
 D366,615 S * 1/1996 Gearin D9/434
 5,888,598 A 3/1999 Brewster et al.
 6,170,683 B1 * 1/2001 Montgomery B65D 41/3442
 215/225
 D441,650 S * 5/2001 Salzburg D9/434
 6,550,626 B1 4/2003 Randall
 D516,872 S * 3/2006 Rigberg D7/619.1
 D686,075 S * 7/2013 Guerin D9/447
 D726,006 S * 4/2015 Rapparini D9/434
 D733,558 S * 7/2015 Wyne D9/436
 D734,668 S * 7/2015 Epstein D9/440
 D782,311 S * 3/2017 Bristow D9/449
 2007/0205175 A1 9/2007 Darr et al.
 2007/0210026 A1 9/2007 Darr et al.

2007/0251911 A1 * 11/2007 Russell B65D 41/0414
 215/252
 2008/0302799 A1 * 12/2008 Moore B65D 7/04
 220/288
 2012/0067922 A1 3/2012 Benoit-Gonin
 2012/0152770 A1 * 6/2012 Dreyer B65D 51/2807
 206/221
 2017/0021978 A1 * 1/2017 Keener B65D 41/0414
 2017/0050773 A1 * 2/2017 Rognard B65D 41/3428
 2017/0174398 A1 * 6/2017 Cox B65D 41/0471
 2017/0210503 A1 * 7/2017 de Cleir B65D 1/0223
 2017/0240325 A1 * 8/2017 Seelhofer B65D 51/2821
 2017/0240326 A1 * 8/2017 Rognard B65D 55/024

FOREIGN PATENT DOCUMENTS

CN 103402884 A 11/2013
 EP 2314512 A1 4/2011
 FR 2813280 A1 * 3/2002 B65D 41/0471
 WO 9829314 A1 7/1998
 WO 0076875 A1 12/2000
 WO WO-0144067 A2 * 6/2001 B65D 41/0471
 WO 2013092529 A1 6/2013
 WO 2013129940 A1 9/2013
 WO WO-2015189436 A1 * 12/2015 B65D 41/34
 WO WO-2017061001 A1 * 4/2017 B65D 41/34

OTHER PUBLICATIONS

Threaded Neck Filler Flange: Announced Apr. 16, 2016 [online], site visited Oct. 24, 2017. Available from Internet URL: <http://www.carmo.dk/gb/product/neck-flanges-caps/filler-flanges/03-745/>.
 Intellectual Property Office of Great Britain, Search Report Issued in Application No. GB1402552.2, Mar. 25, 2014, South Wales, 3 pages.
 Intellectual Property Office of Great Britain, Search Report Issued in Application No. GB1404048.9, Nov. 25, 2014, South Wales, 6 pages.
 ISA European Patent Office, Invitation to Pay Additional Fees and, where Applicable, Protest Fee Issued in Application No. PCT/EP2015/052566, Mar. 27, 2015, WIPO, 7 pages.
 State Intellectual Property Office of the Peoples Republic of China, Office Action Issued in Application No. 201610737809.1, Jul. 31, 2017, 4 pages.
 European Patent Office, Office Action Issued in Application No. 15706173.0, Sep. 14, 2017, Netherlands, 4 pages.
 European Patent Office, Office Action Issued in Application No. 15706173.0, Feb. 19, 2018, Netherlands, 4 pages.

* cited by examiner

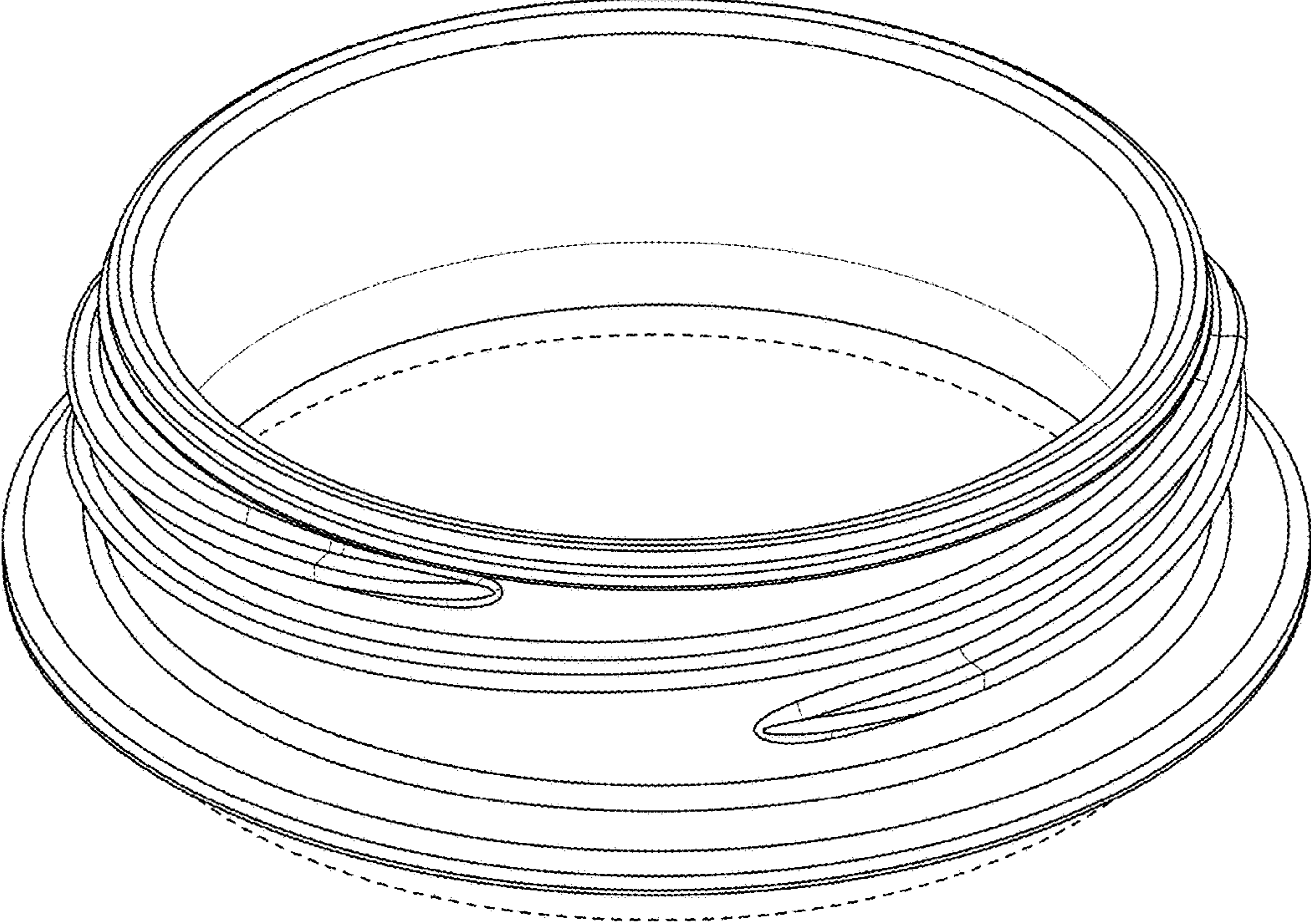


FIG. 1

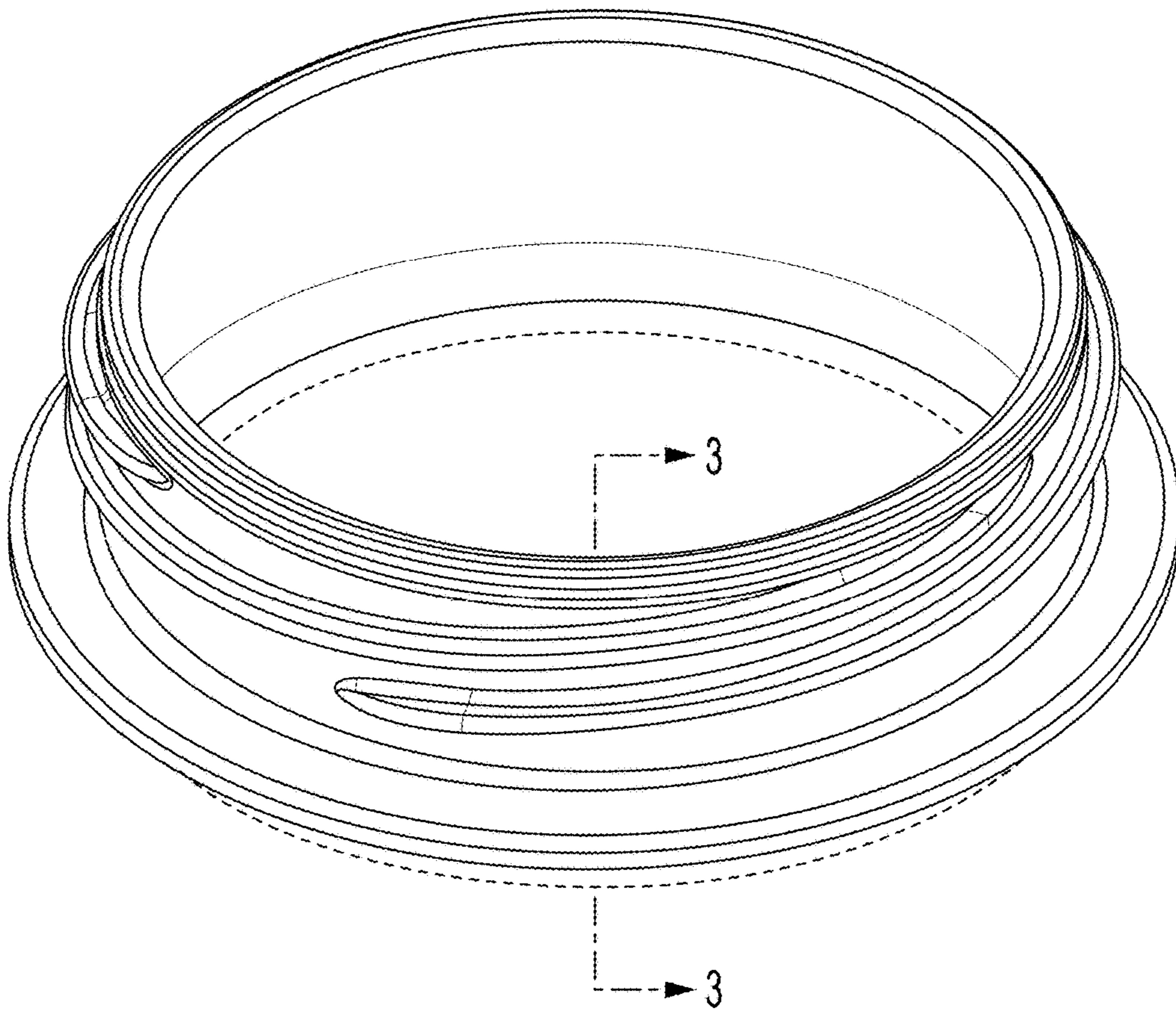


FIG. 2

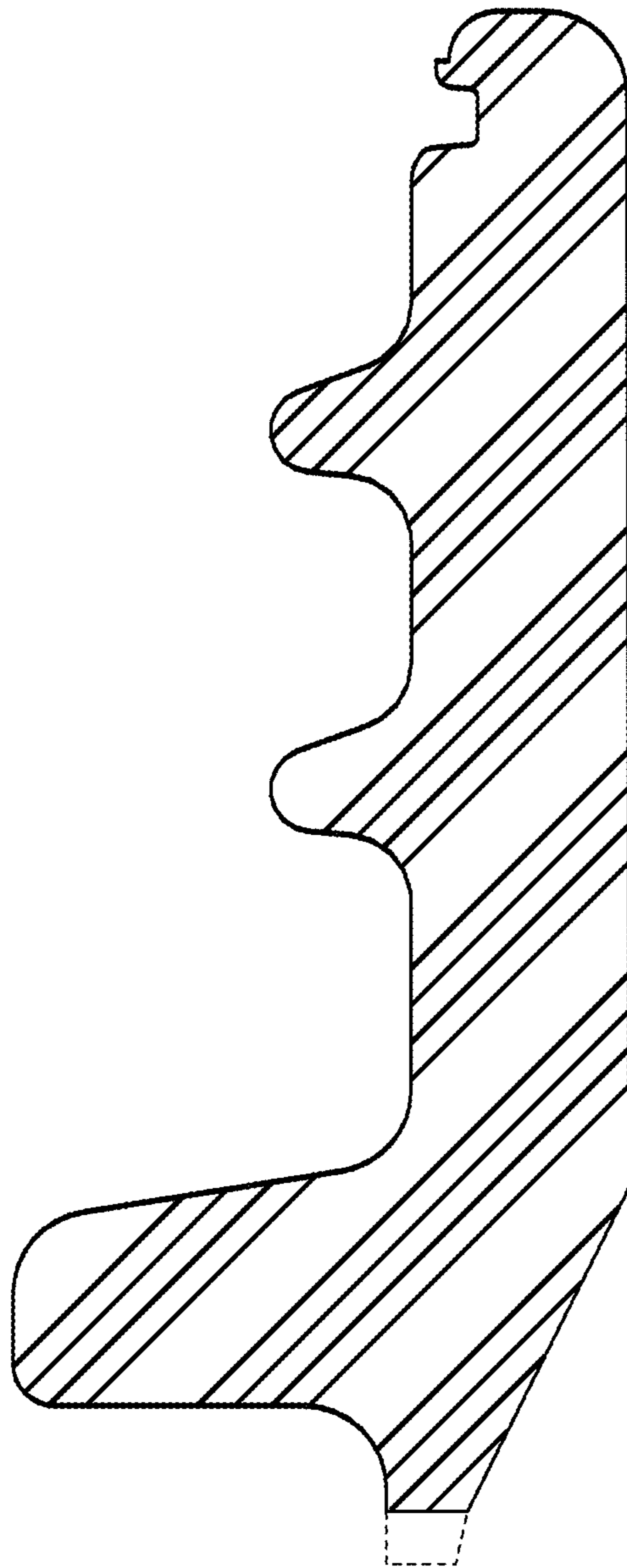


FIG. 3

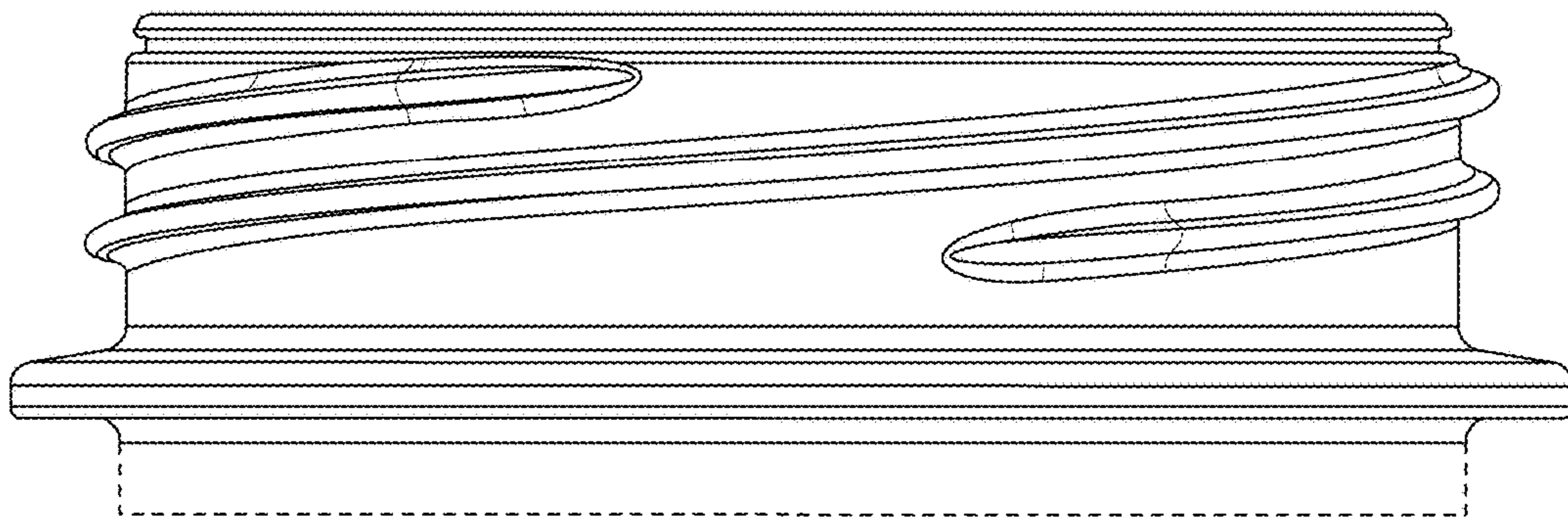


FIG. 4

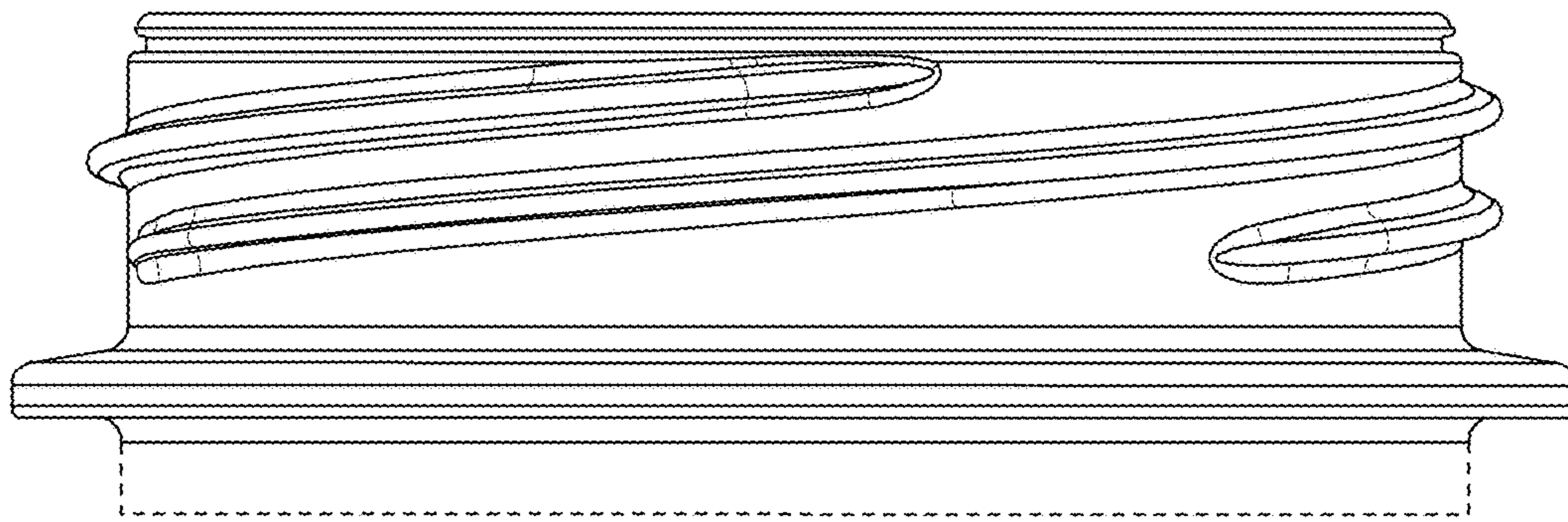


FIG. 5

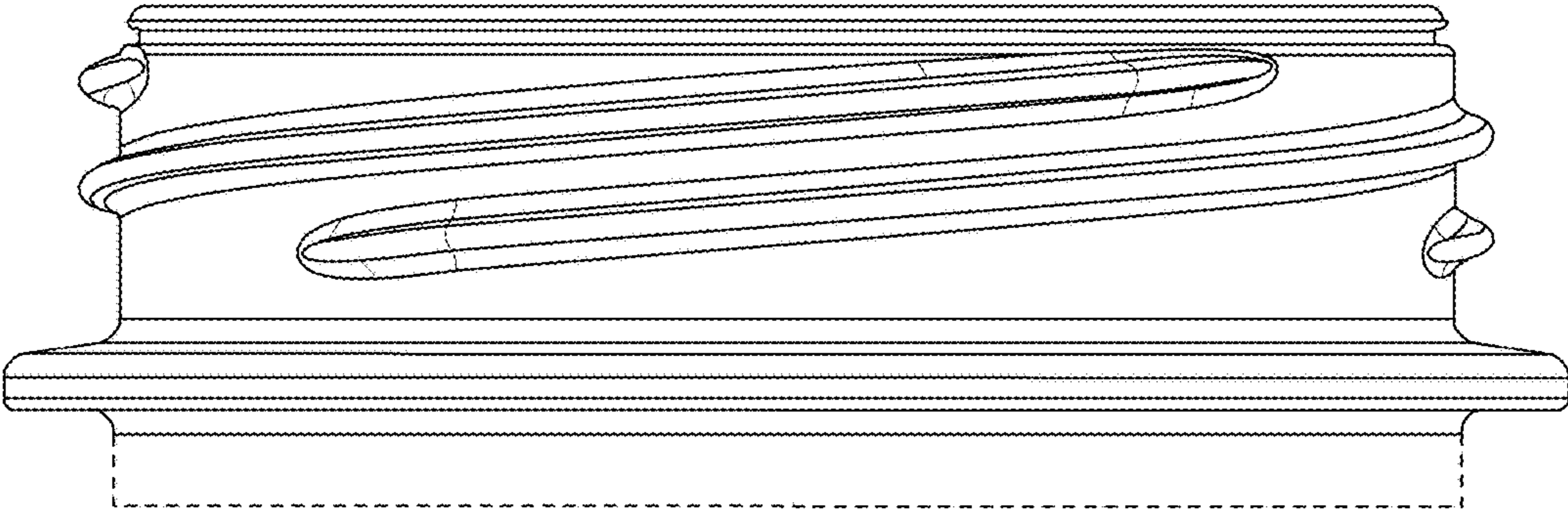


FIG. 6

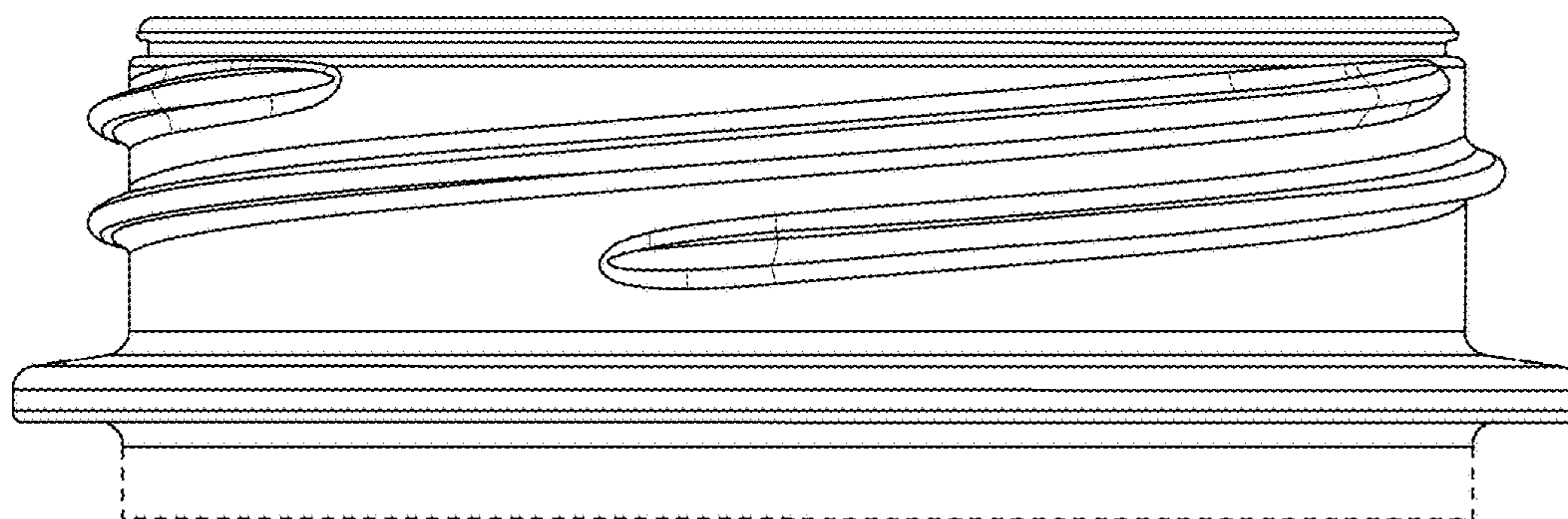


FIG. 7

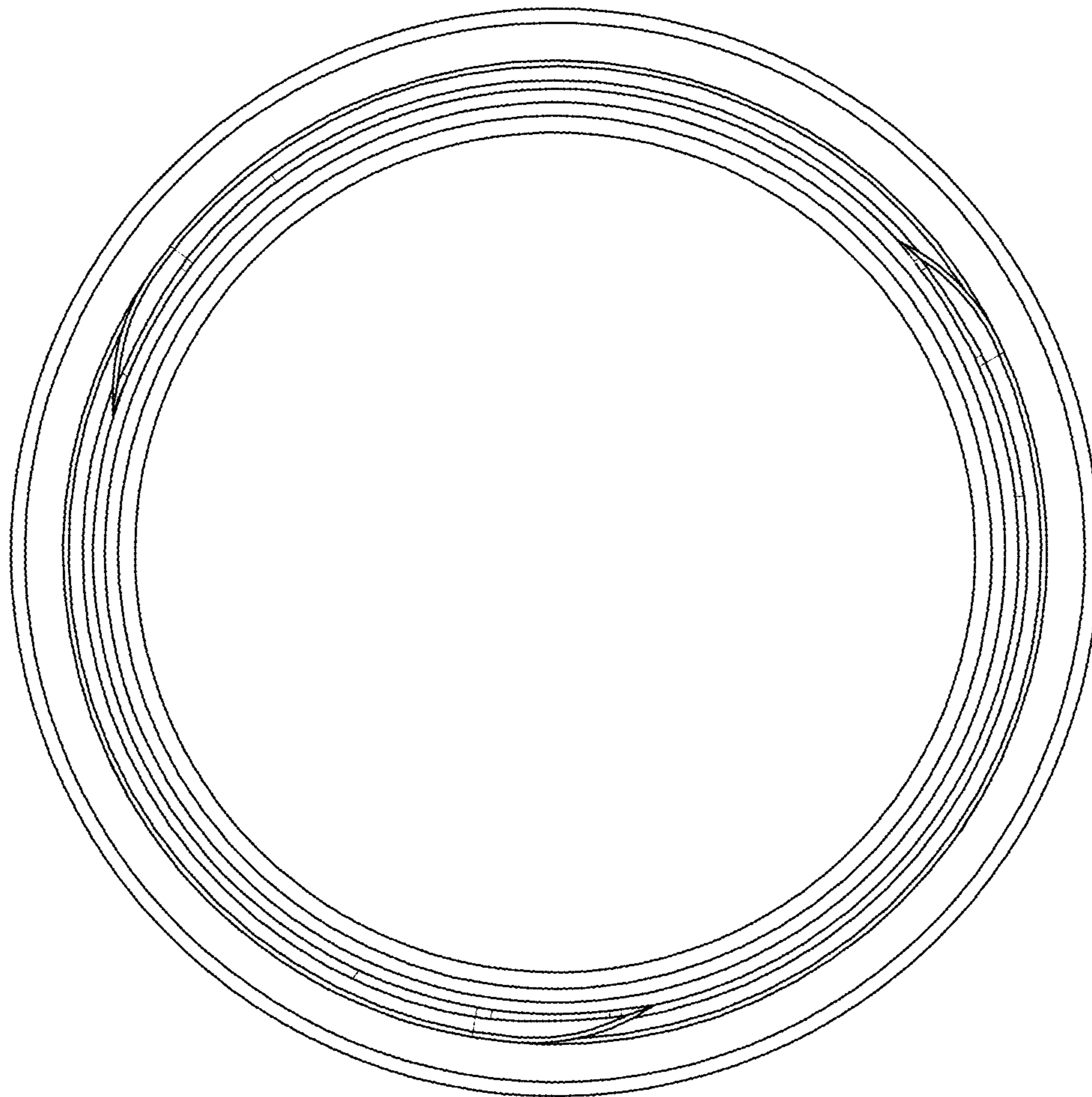


FIG. 8

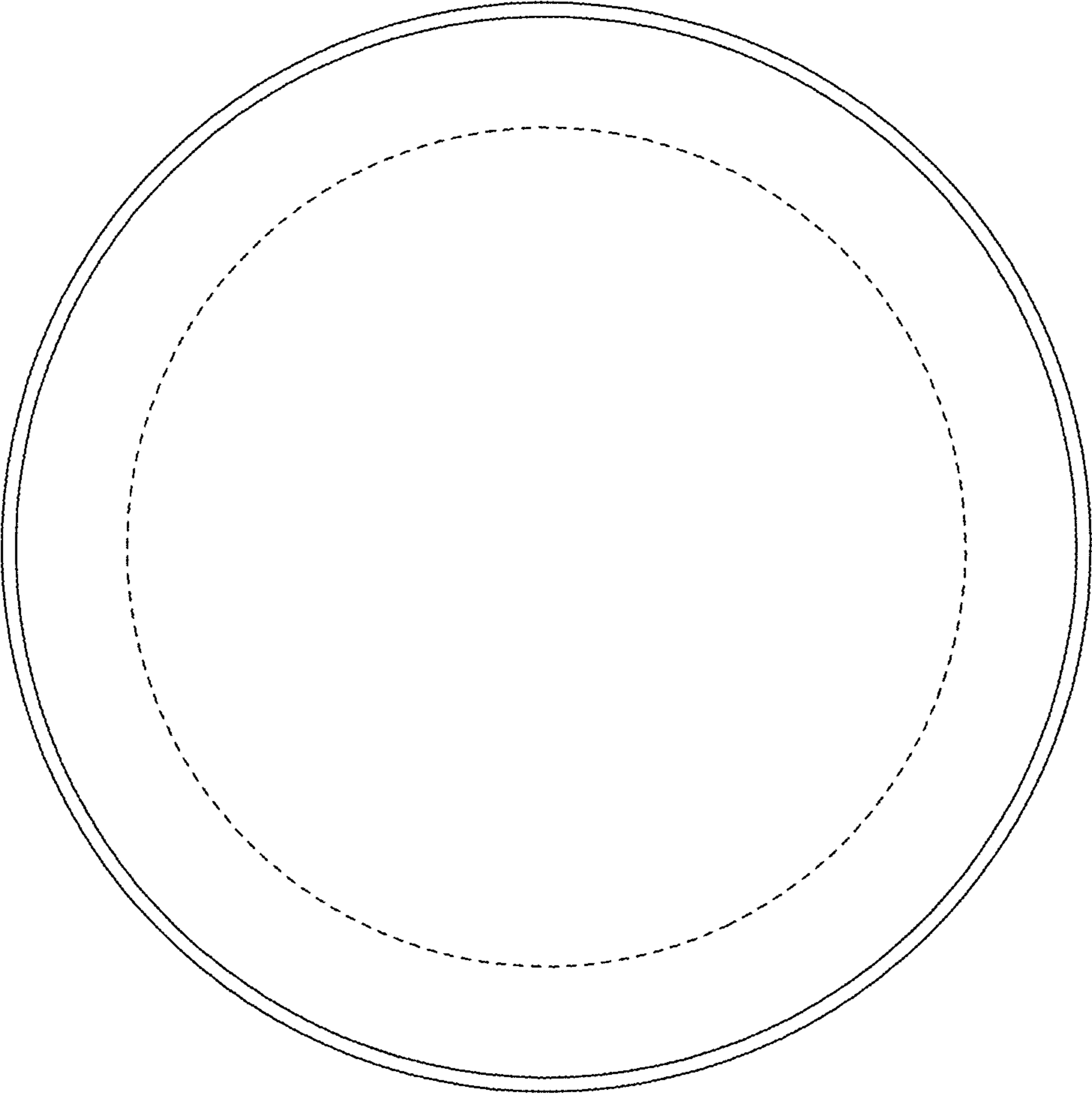


FIG. 9

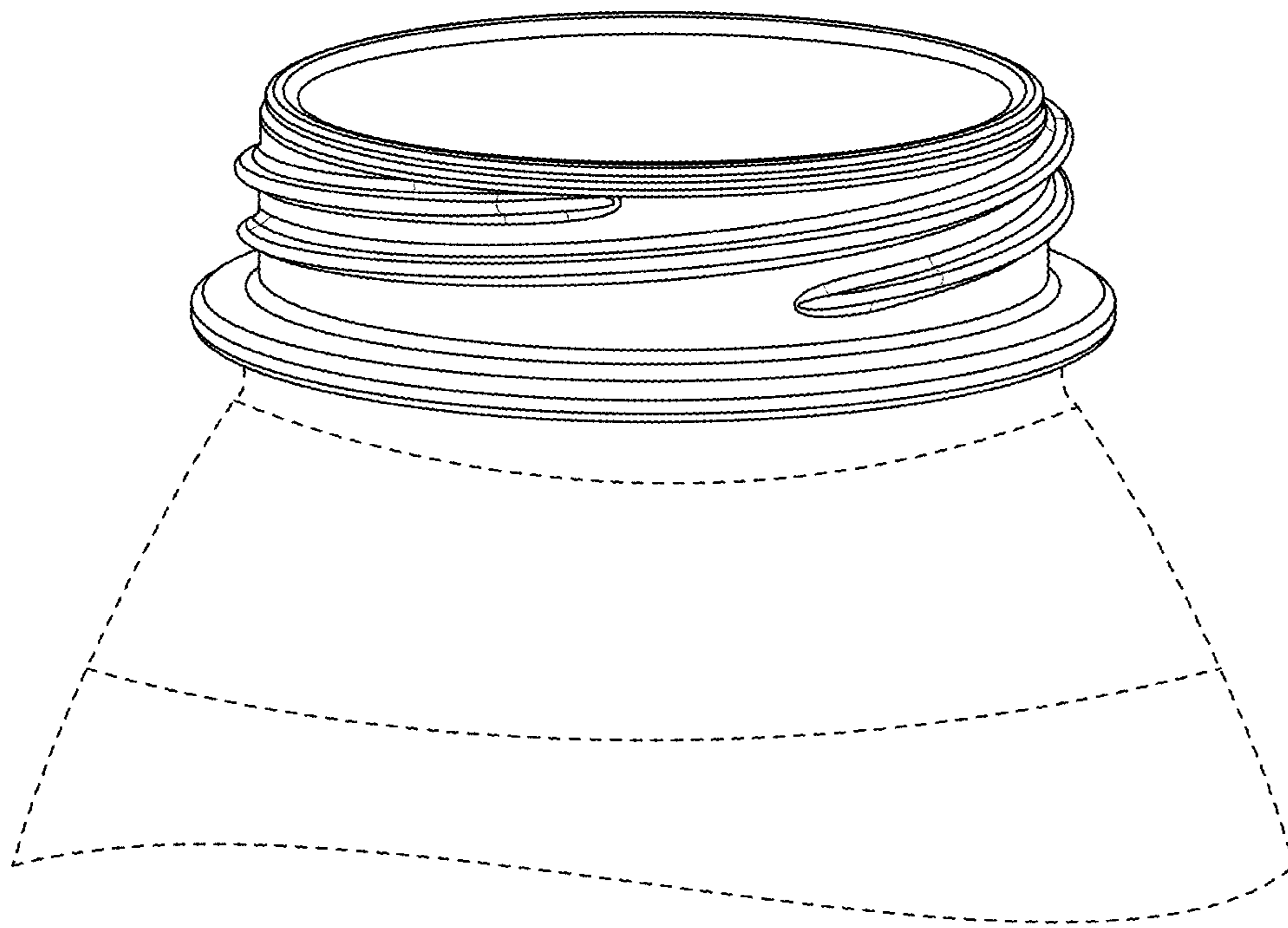


FIG. 10