



US00D830174S

(12) **United States Design Patent**
Takezawa et al.

(10) **Patent No.:** **US D830,174 S**
(45) **Date of Patent:** **** Oct. 9, 2018**

(54) **LID OF CONTAINER FOR PACKAGING**

(71) Applicant: **S.T. CORPORATION**, Tokyo (JP)

(72) Inventors: **Yuko Takezawa**, Tokyo (JP); **Ryoko Okubo**, Tokyo (JP)

(**) Term: **15 Years**

(21) Appl. No.: **35/503,566**

(22) Filed: **Feb. 24, 2017**

(80) **Hague Agreement Data**

Int. Filing Date: **Feb. 24, 2017**

Int. Reg. No.: **DM/095836**

Int. Reg. Date: **Feb. 24, 2017**

Int. Reg. Pub. Date: **Aug. 25, 2017**

(51) **LOC (11) Cl.** **09-07**

(52) **U.S. Cl.**
USPC **D9/450; D9/447; D9/454**

(58) **Field of Classification Search**
USPC **D9/422, 434-436, 443, 445, 447, 449, D9/450, 454**

CPC **B65D 1/0246; B65D 41/0471; B65D 50/041; B65D 50/046; B65D 50/061; B65D 55/145; B65D 2215/02; B65D 2543/00296; B65B 3/04; B65B 7/168; B65B 7/2835; A47J 36/06**

See application file for complete search history.

(56) **References Cited**

U.S. PATENT DOCUMENTS

D217,085 S * 4/1970 Zenger et al. D9/447
D240,402 S * 7/1976 Newman D9/447
D280,600 S * 9/1985 Earl D9/428
D318,777 S * 8/1991 Freese D7/392

D357,863 S * 5/1995 Picozza D9/436
D401,855 S * 12/1998 Nilssen D9/451
D558,517 S * 1/2008 Larkin D7/401.1
D562,134 S * 2/2008 Studee D9/452
D562,135 S * 2/2008 Studee D9/452
D647,190 S * 10/2011 Walter D23/366
D655,162 S * 3/2012 Daniel D9/445
D676,745 S * 2/2013 MacNeill D9/443
D676,746 S * 2/2013 Shaffer D9/443
D686,717 S * 7/2013 Mack D23/366
D729,371 S * 5/2015 Davis D23/366

* cited by examiner

Primary Examiner — Keli L Hill

(57) **CLAIM**

The ornamental design for a lid of container for packaging, as shown and described.

DESCRIPTION

1. Lid of container for packaging

1.1 : Perspective view 1

1.2 : Perspective view 2

1.3 : Front

1.4 : Top

1.5 : Bottom

1.6 : Left

1.7 : Right

1.8 : Back

1.9 : Cross-sectional

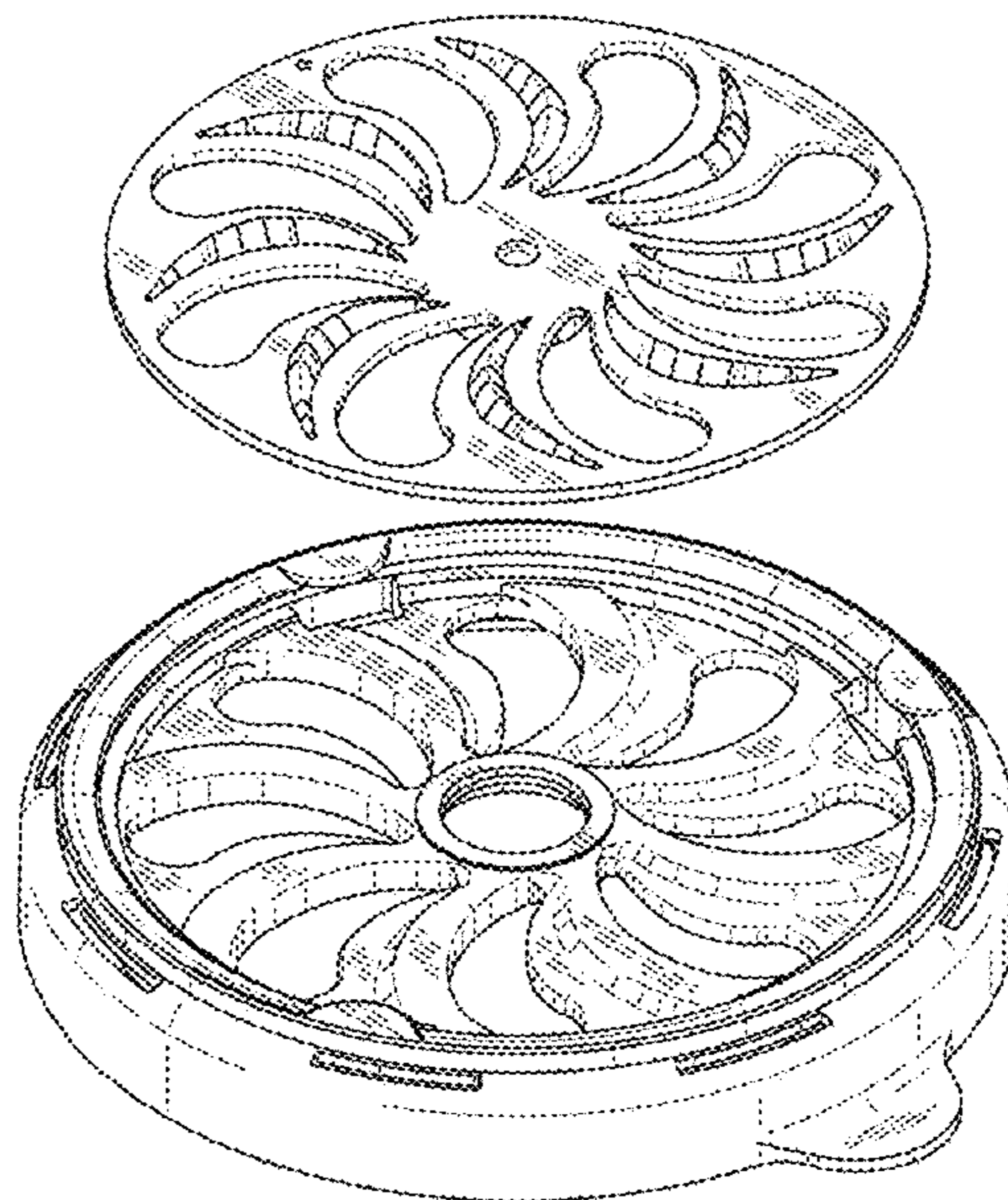
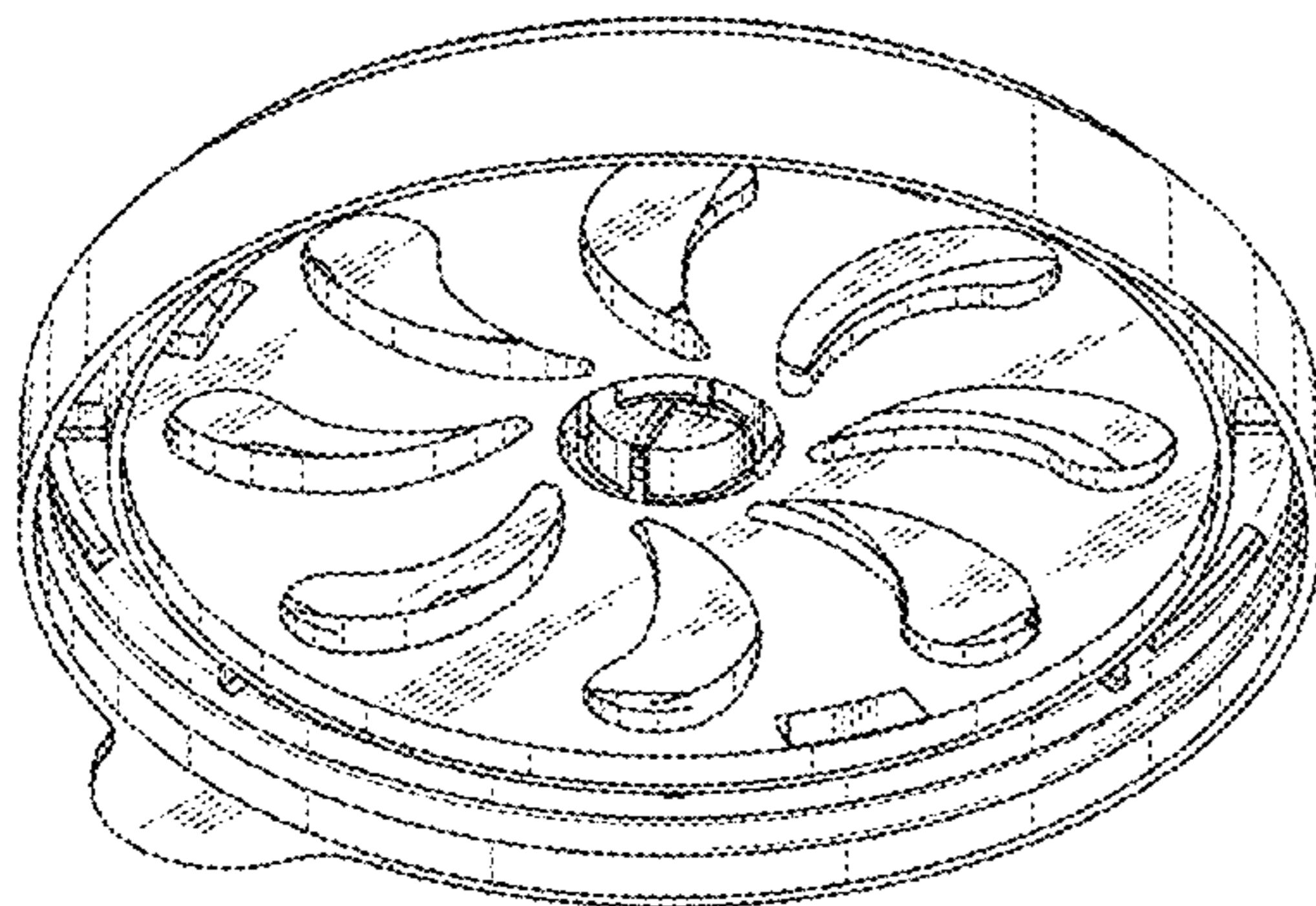
1.10 : Cross-sectional

1.11 : Exploded perspective view

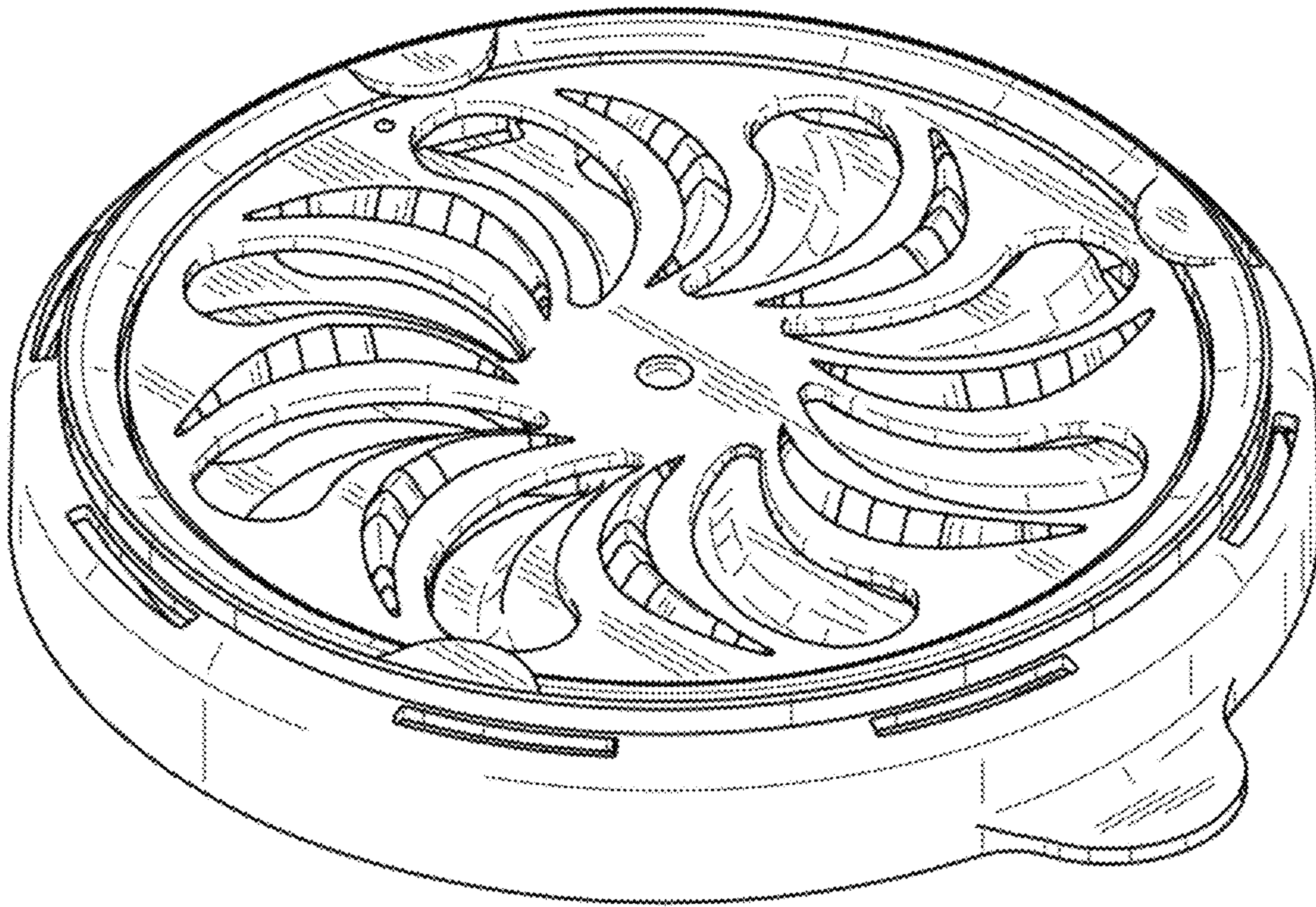
1.12 : Top view showing the rotated top lid

Fig. 1.9 is a sectional view taken along the line tilted at an angle of 20 degrees of fig. 1.4 with respect to the horizontal line; fig. 1.10 is a sectional view taken horizontally at the center of fig. 1.4.

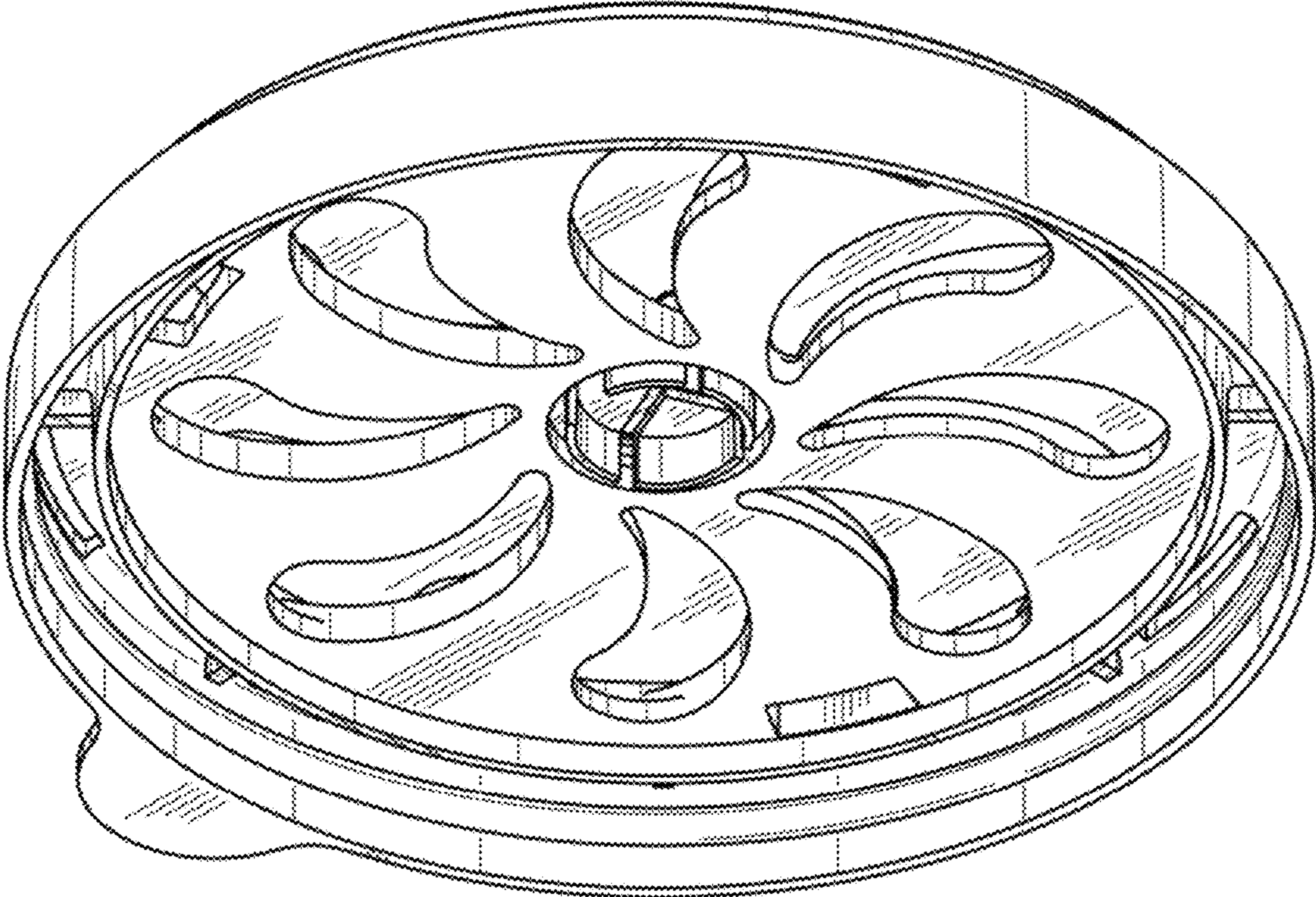
1 Claim, 12 Drawing Sheets



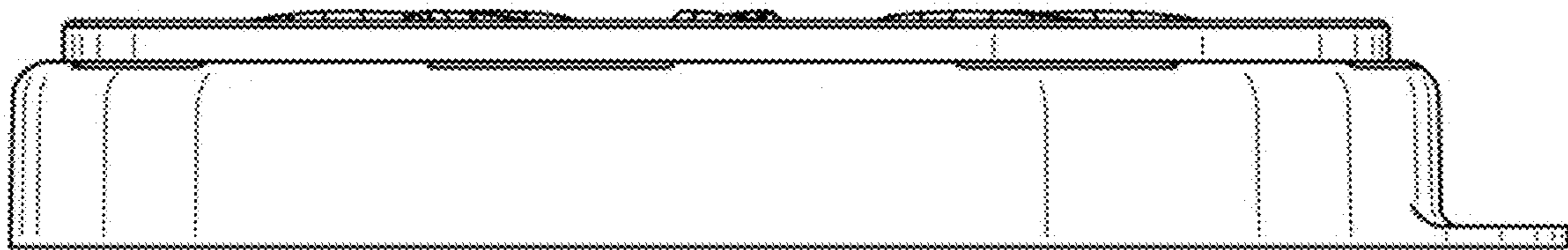
1.1



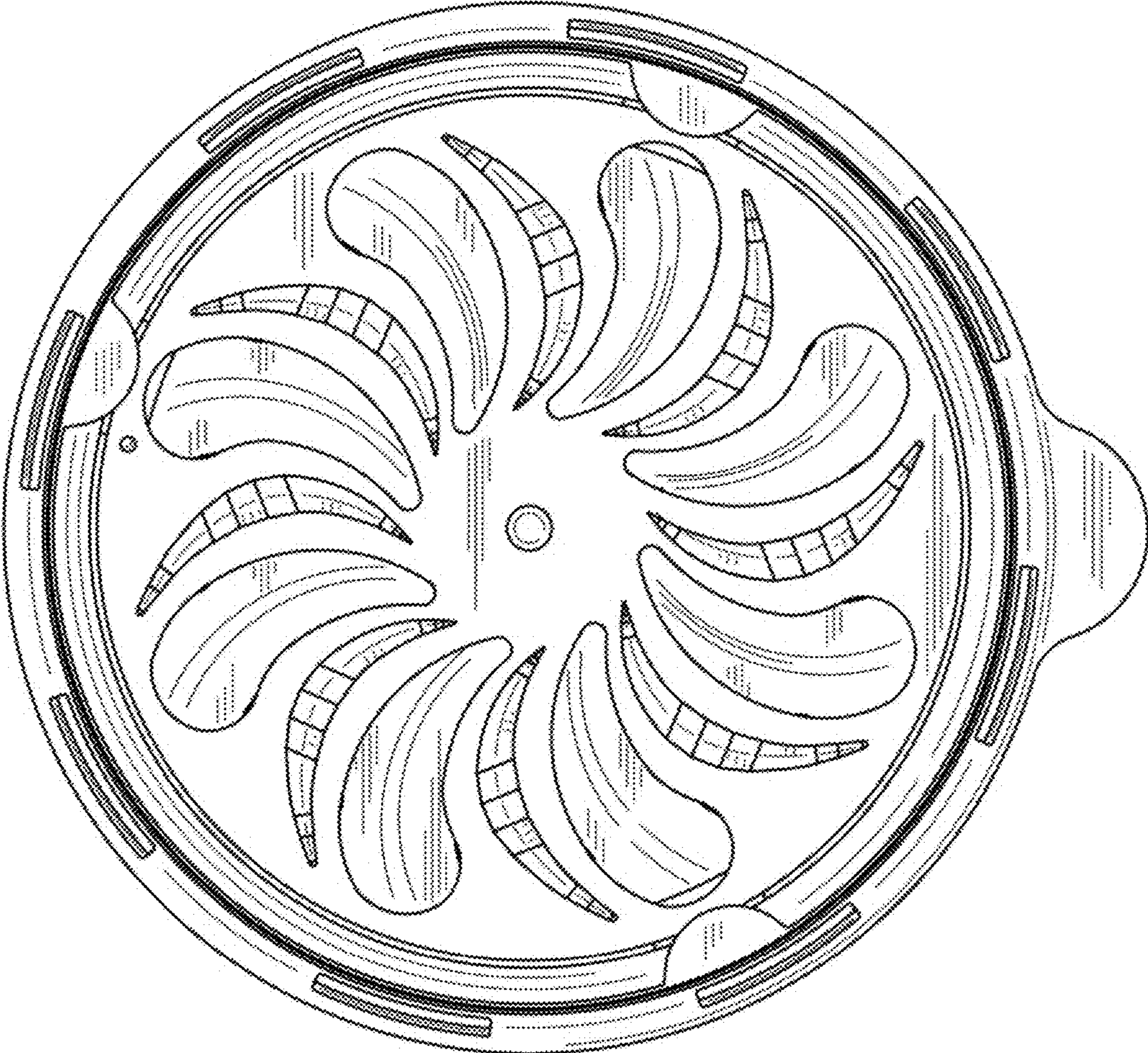
1.2



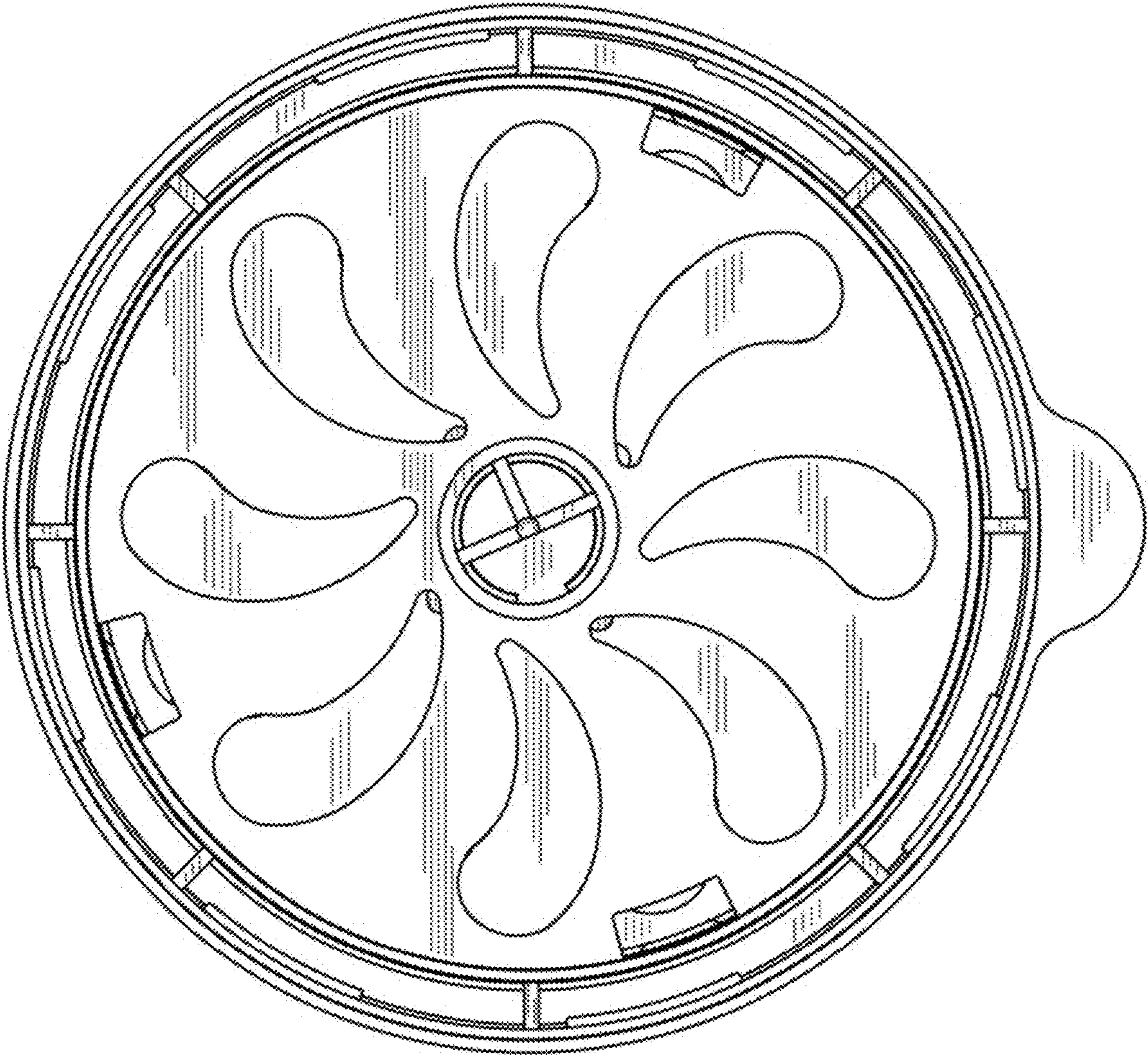
1.3



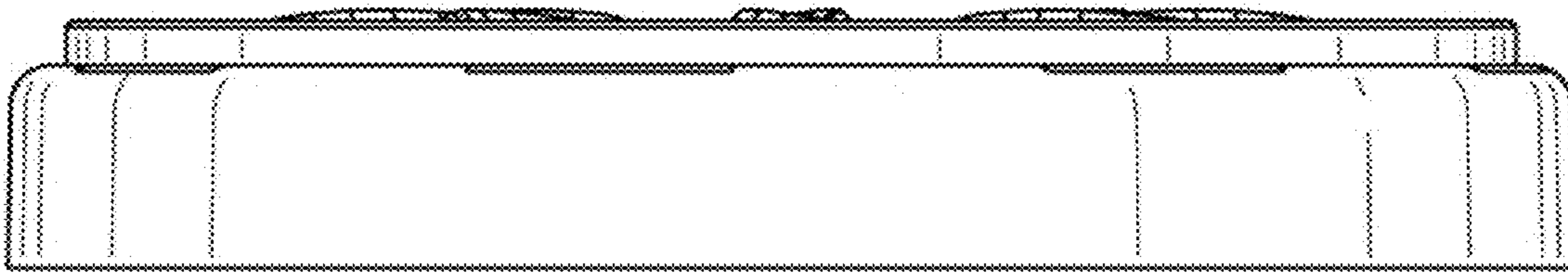
1.4



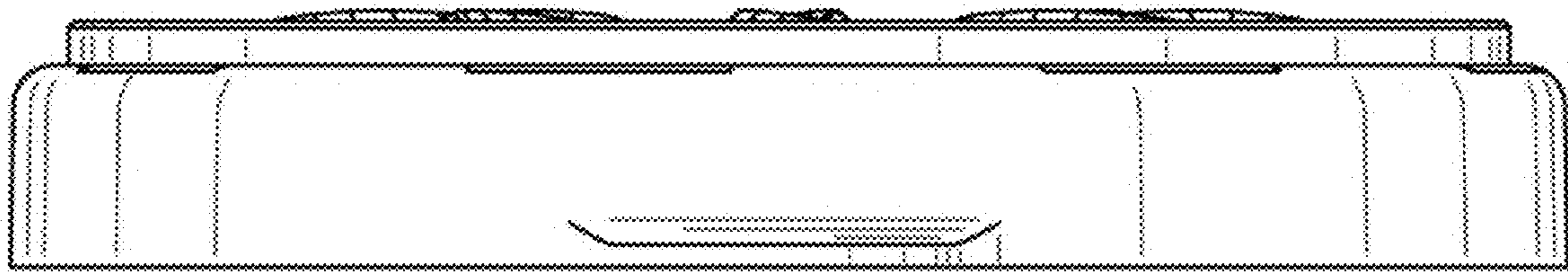
1.5



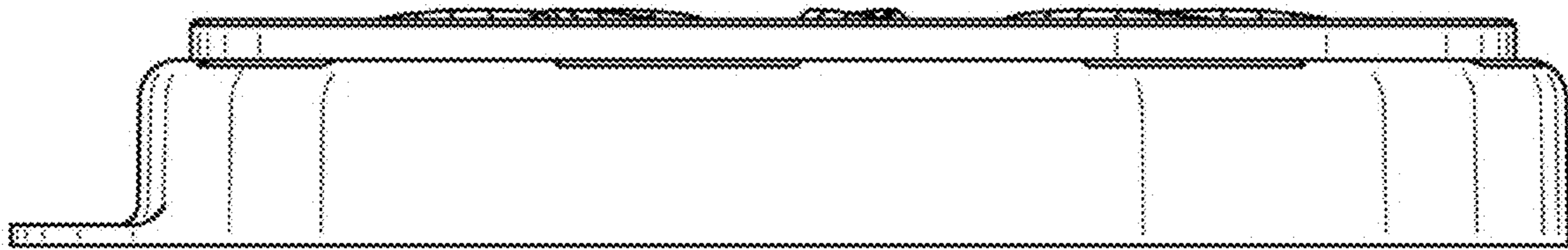
1.6



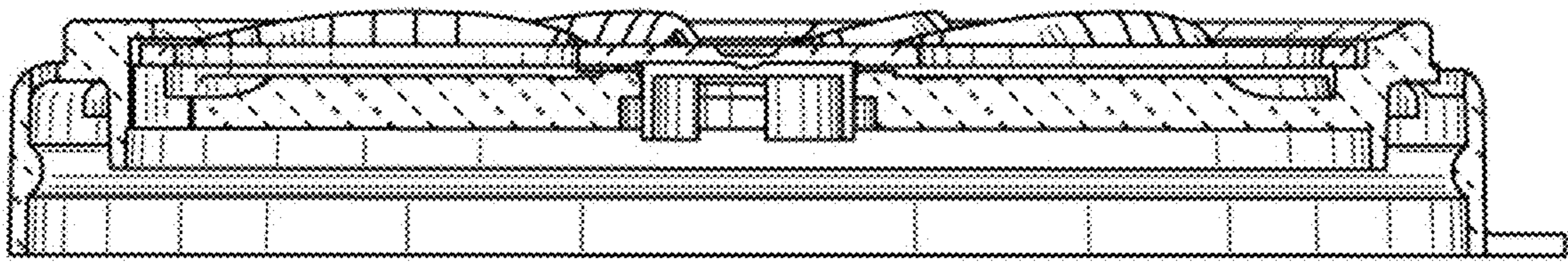
1.7



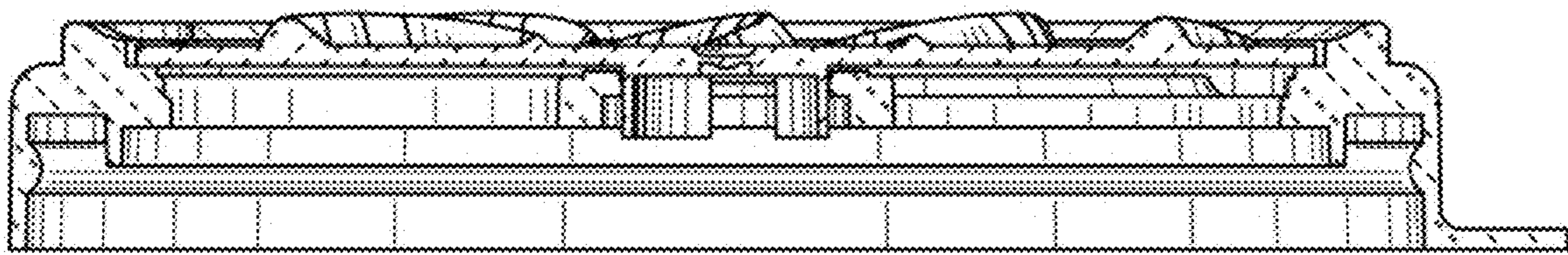
1.8



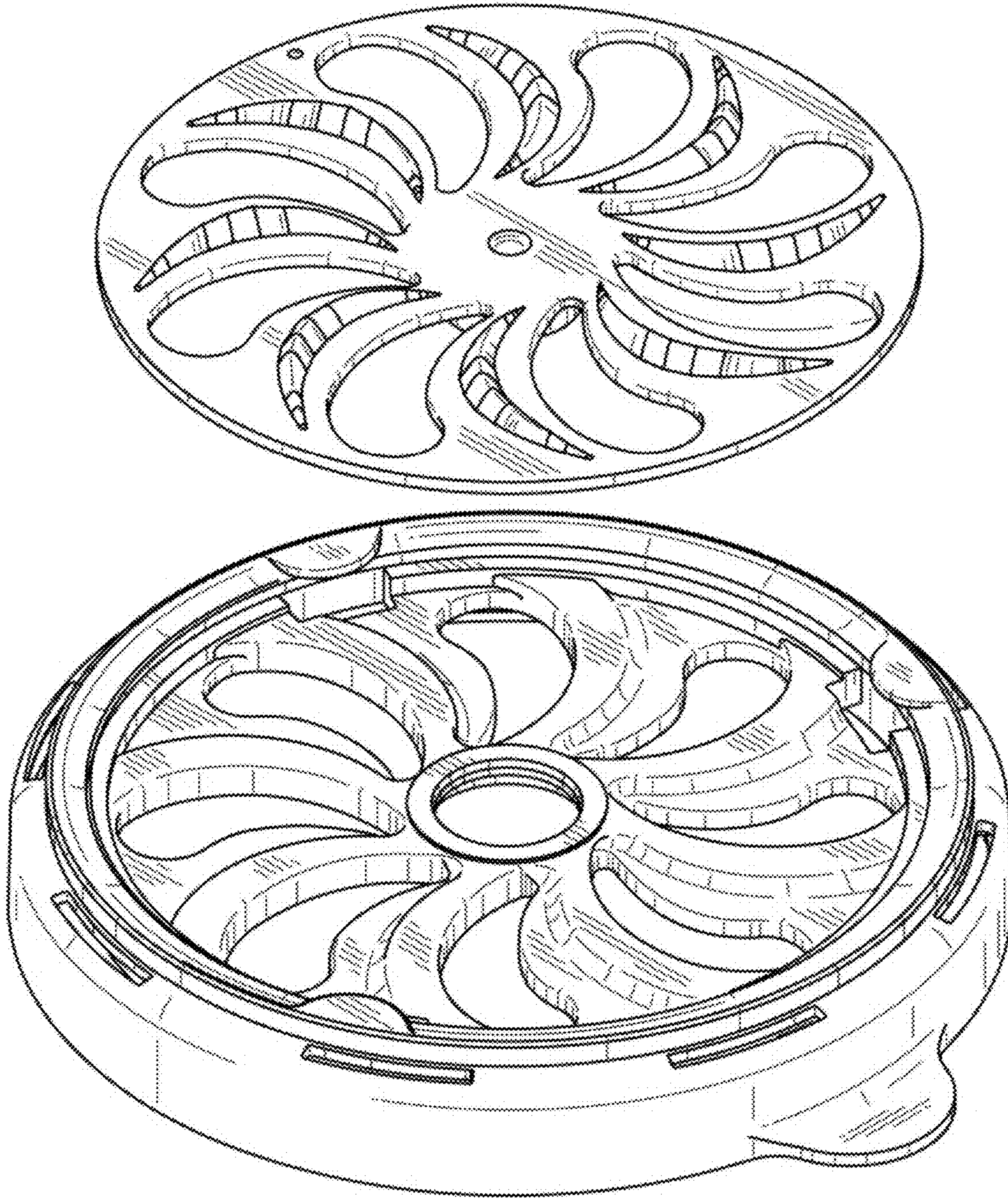
1.9



1.10



1.11



1.12

