



US00D830170S

(12) **United States Design Patent** (10) **Patent No.:** **US D830,170 S**  
**Holmes** (45) **Date of Patent:** **\*\* Oct. 9, 2018**

(54) **CLOSURE**

(71) Applicant: **Closure Systems International Inc.,**  
Lake Forest, IL (US)

(72) Inventor: **Larry Holmes,** Fishers, IN (US)

(73) Assignee: **Closure Systems International Inc.,**  
Lake Forest, IL (US)

(\*\*) Term: **15 Years**

(21) Appl. No.: **29/594,653**

(22) Filed: **Feb. 21, 2017**

(51) **LOC (11) Cl.** ..... **09-07**

(52) **U.S. Cl.**  
USPC ..... **D9/443; D9/452**

(58) **Field of Classification Search**  
USPC ..... D9/414, 415, 424, 425, 434, 435, 436,  
D9/443, 444-452, 454-456, 499, 529,  
D9/682, 685, 686; D7/387, 391, 392,  
D7/392.1, 396.1, 396.2, 396.3, 396.4,  
D7/397, 398, 401.1, 507, 509-511, 538,  
D7/900; D3/202, 203.2; D28/91, 91.1;  
D12/197; D23/249, 260  
CPC .. A61J 1/00; A61J 1/1412; B65D 1/00; B65D  
1/02; B65D 1/10; B65D 1/46; B65D  
2585/56; B65D 2585/545; B65D 41/00;  
B65D 41/38; B65D 41/56; B65D 41/62;  
B65D 47/00; B65D 47/06; B65D 47/08;  
B65D 2543/00046; B65D 2543/00092;  
B65D 2543/00296; B65D 5/46; B65D  
2251/00

See application file for complete search history.

(56) **References Cited**

**U.S. PATENT DOCUMENTS**

D120,154 S \* 4/1940 Carson ..... D13/119  
D120,155 S \* 4/1940 Carson ..... D13/119

D148,252 S \* 12/1947 Rausch ..... D23/250  
D175,538 S \* 9/1955 Dawson ..... D23/250  
D252,208 S \* 6/1979 Ooya ..... D16/219  
D294,680 S \* 3/1988 Pappert ..... D9/435  
6,047,710 A \* 4/2000 Irving ..... A45C 13/008  
132/293  
D518,377 S \* 4/2006 Kortleven ..... D3/323  
D566,640 S \* 4/2008 Holz ..... D12/197  
D678,503 S \* 3/2013 Schmidt ..... D24/108  
D679,181 S \* 4/2013 Vogel ..... D9/443  
D711,745 S \* 8/2014 Humm ..... D9/449  
D714,144 S \* 9/2014 Vogel ..... D9/443  
D718,133 S \* 11/2014 Fraser ..... D9/436

(Continued)

*Primary Examiner* — Michael A. Pratt

*Assistant Examiner* — Wendy L Arminio

(74) *Attorney, Agent, or Firm* — Nixon Peabody LLP

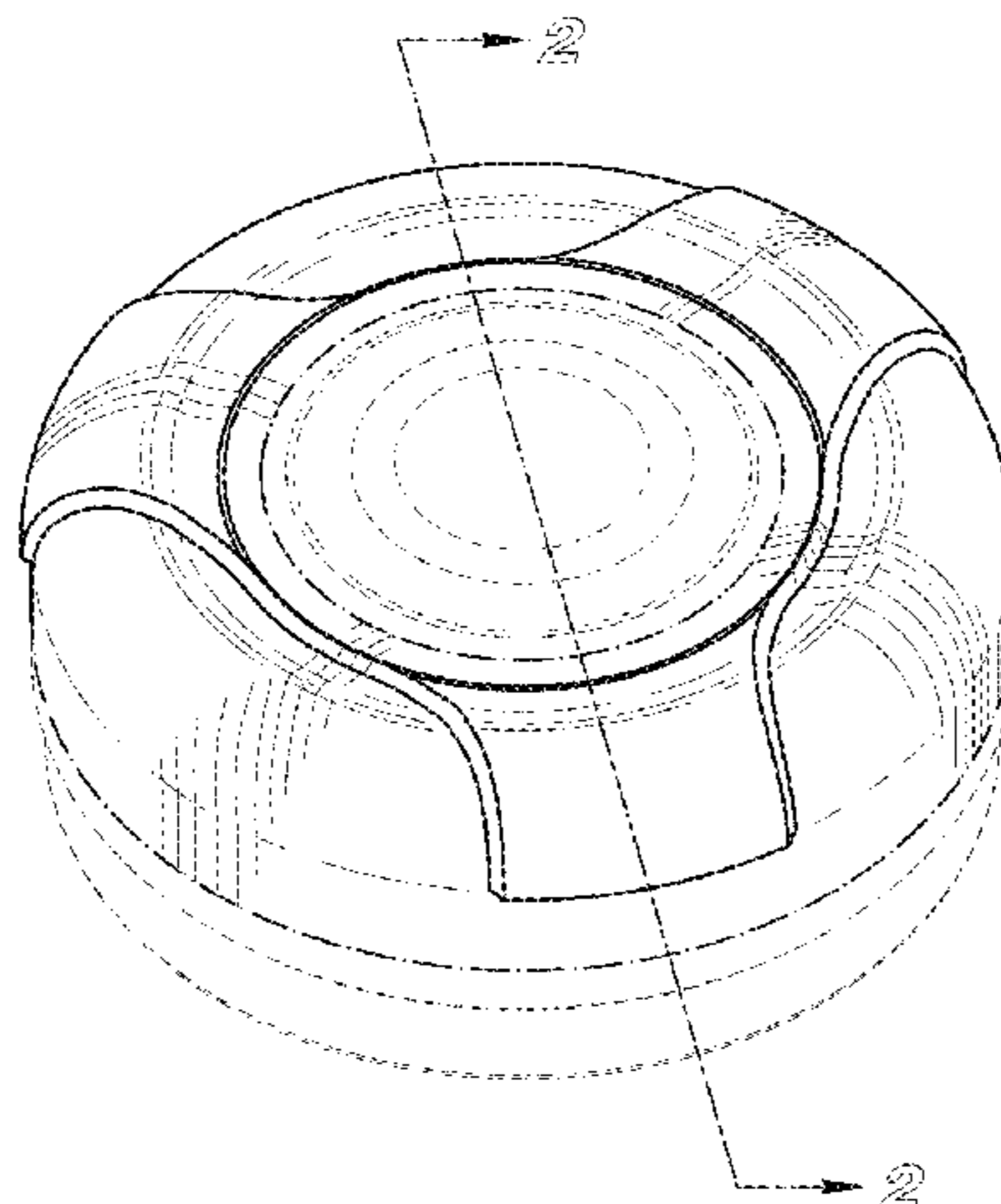
(57) **CLAIM**

The ornamental design for a closure, as shown and described.

**DESCRIPTION**

FIG. 1 is a top-perspective view of a closure;  
FIG. 2 is a side cross-sectional view taken in the direction of line 2-2 shown in FIG. 1;  
FIG. 3 is a bottom-perspective view of the closure of FIG. 1;  
FIG. 4 is a top plan view of the closure of FIG. 1;  
FIG. 5 is a left side elevation view of the closure of FIG. 1;  
FIG. 6 is a right side elevation view of the closure of FIG. 1;  
FIG. 7 is a front elevation view of the closure of FIG. 1;  
FIG. 8 is a back elevation view of the closure of FIG. 1; and,  
FIG. 9 is a bottom plan view of the closure of FIG. 1.  
The dash-dash broken lines in the drawings depict environmental structure and form no part of the claimed design. The dash-dot-dash broken lines depict the boundaries of the claim and form no part thereof.

**1 Claim, 4 Drawing Sheets**



(56)

**References Cited**

U.S. PATENT DOCUMENTS

8,955,705	B2 *	2/2015	Vogel .....	B65D 47/265 220/253
D732,662	S *	6/2015	Shubin, Sr. ....	D24/121
D734,093	S *	7/2015	Munari .....	D7/393
D735,567	S *	8/2015	Kishida .....	D8/387
D755,633	S *	5/2016	Baughman .....	D9/452
D758,122	S *	6/2016	Simpson .....	B65D 43/0212 D7/325
D784,240	S *	4/2017	Platto .....	D12/213
2015/0129600	A1 *	5/2015	Akers .....	B44D 3/127 220/700

\* cited by examiner

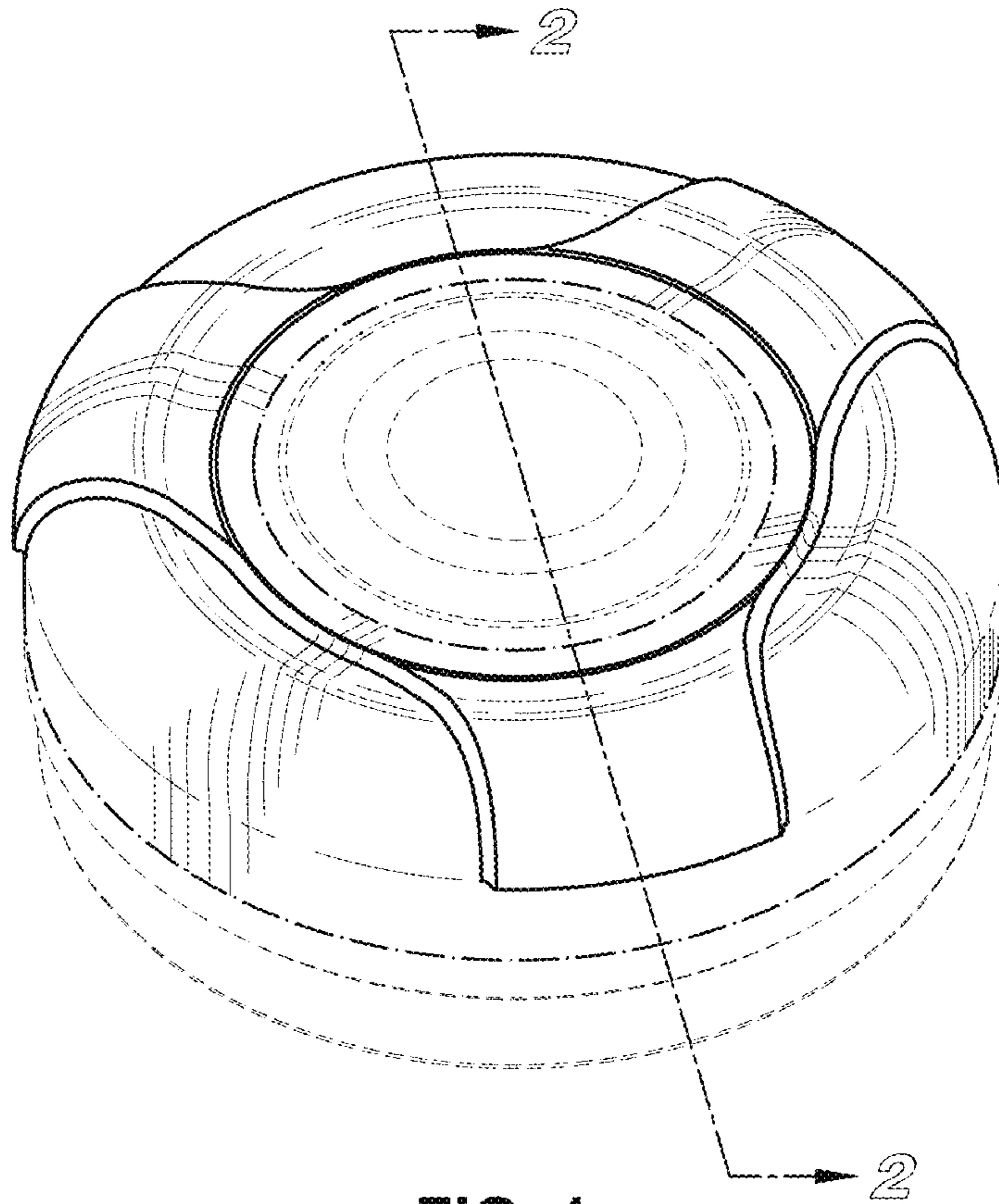


FIG. 1

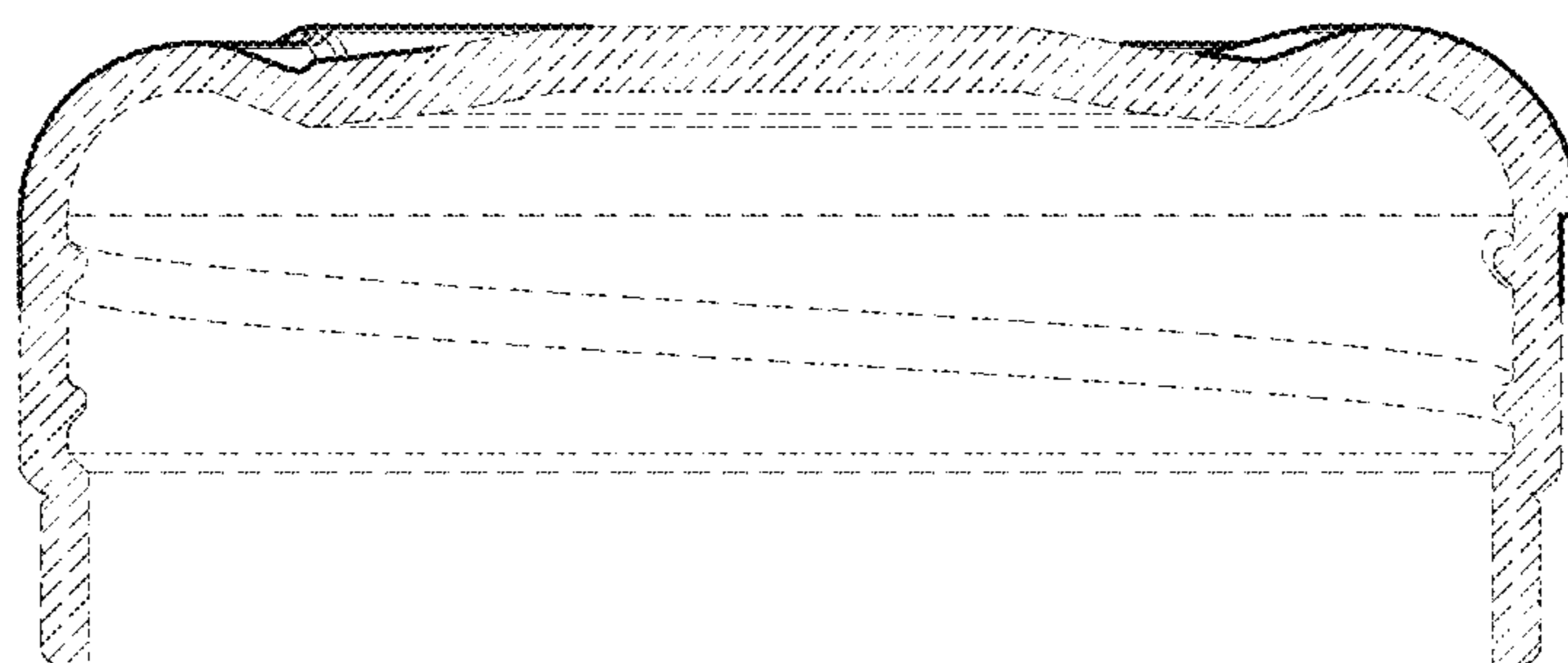
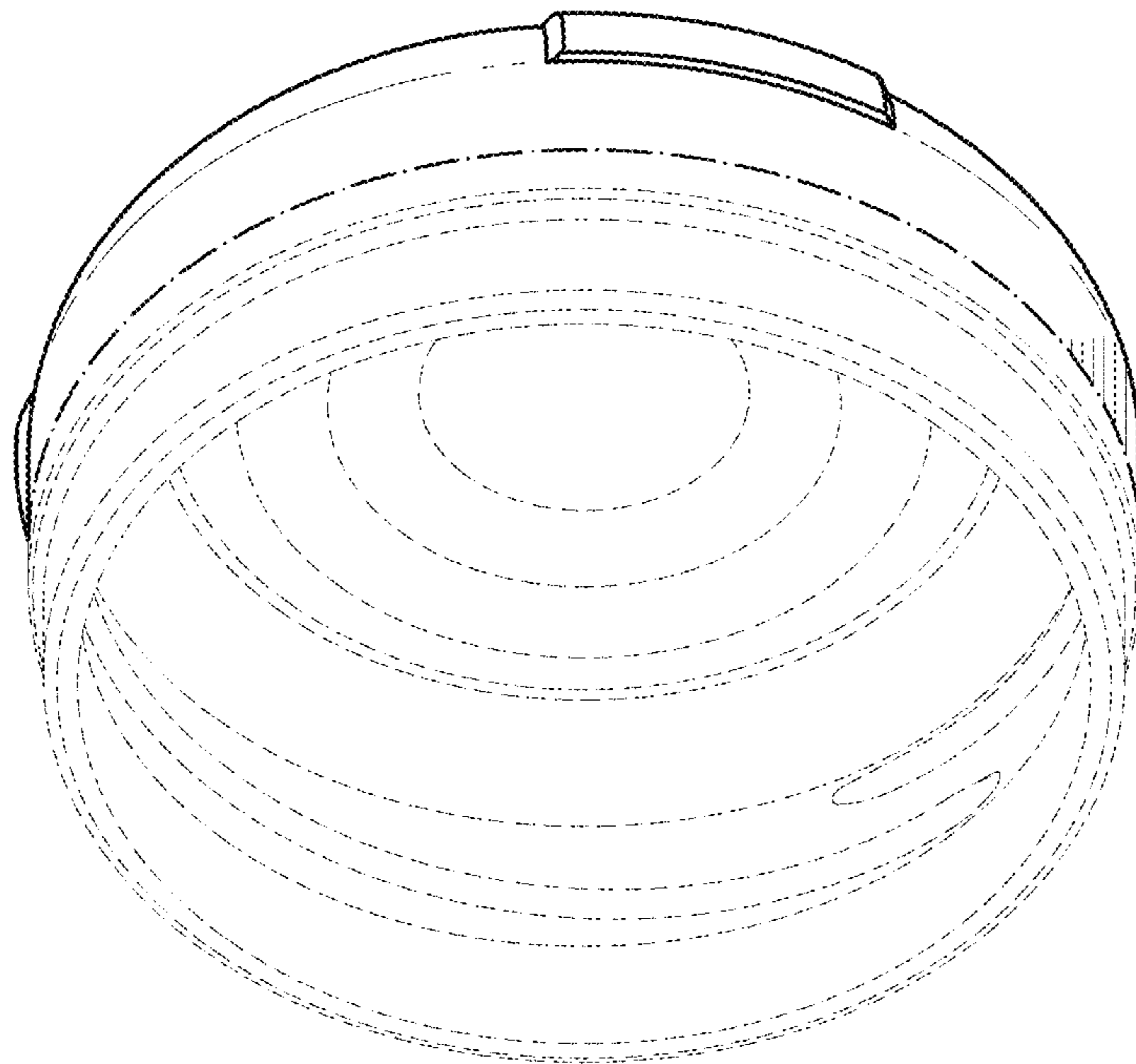


FIG. 2



**FIG. 3**

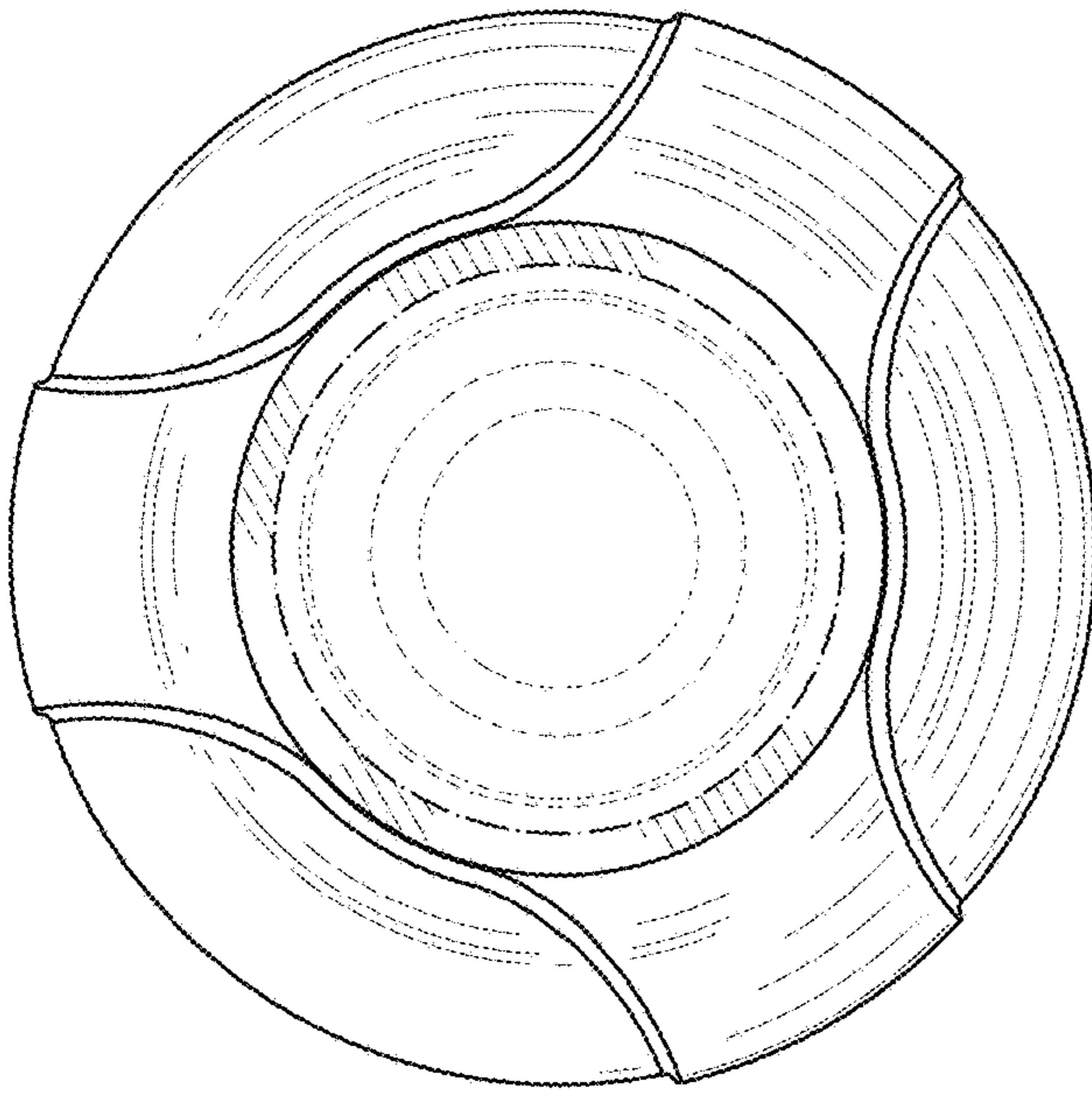


FIG. 4

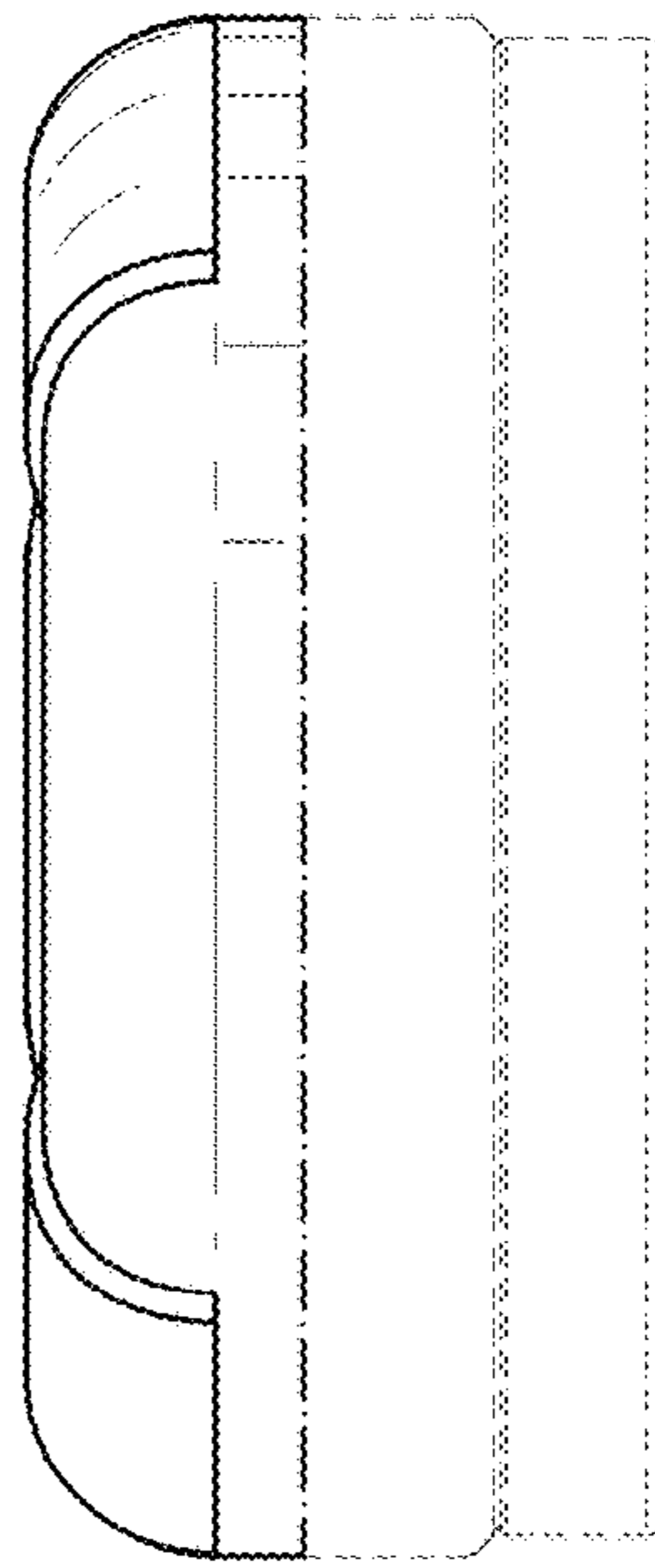


FIG. 6

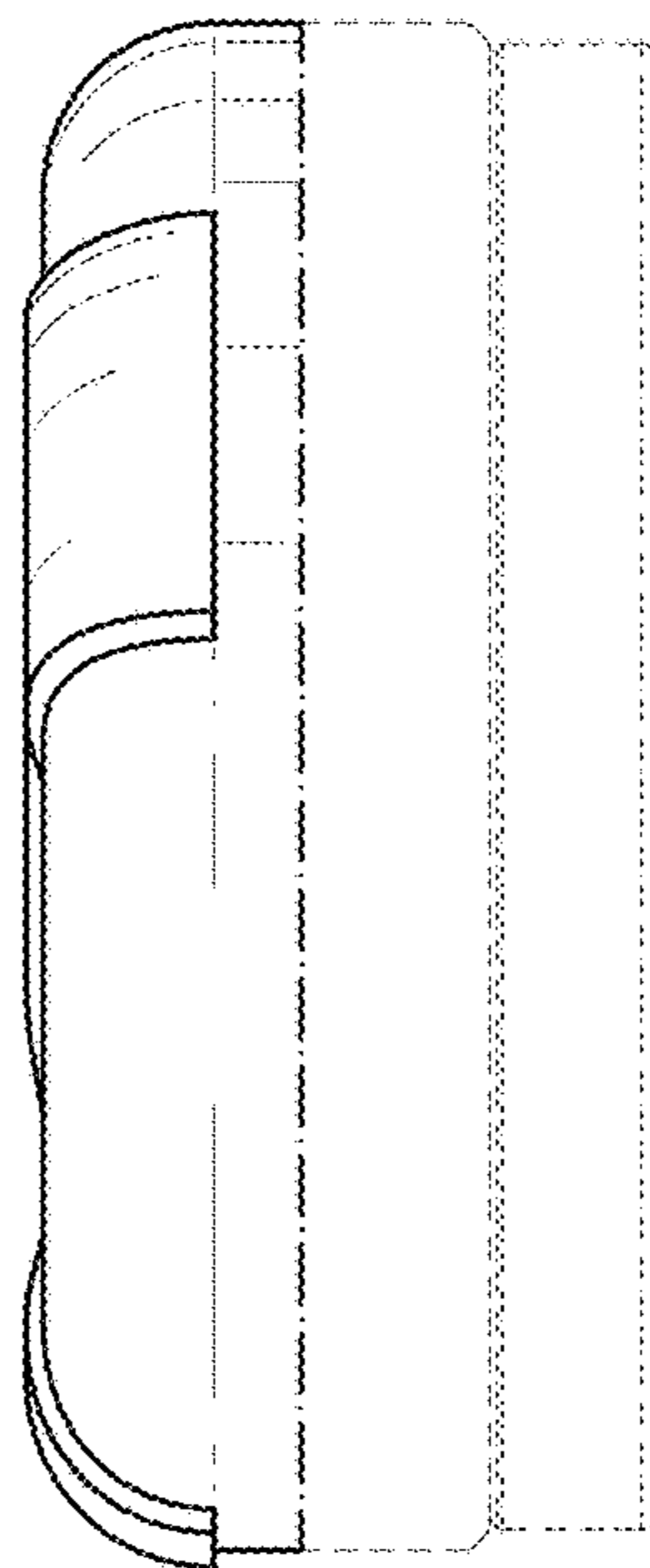


FIG. 5

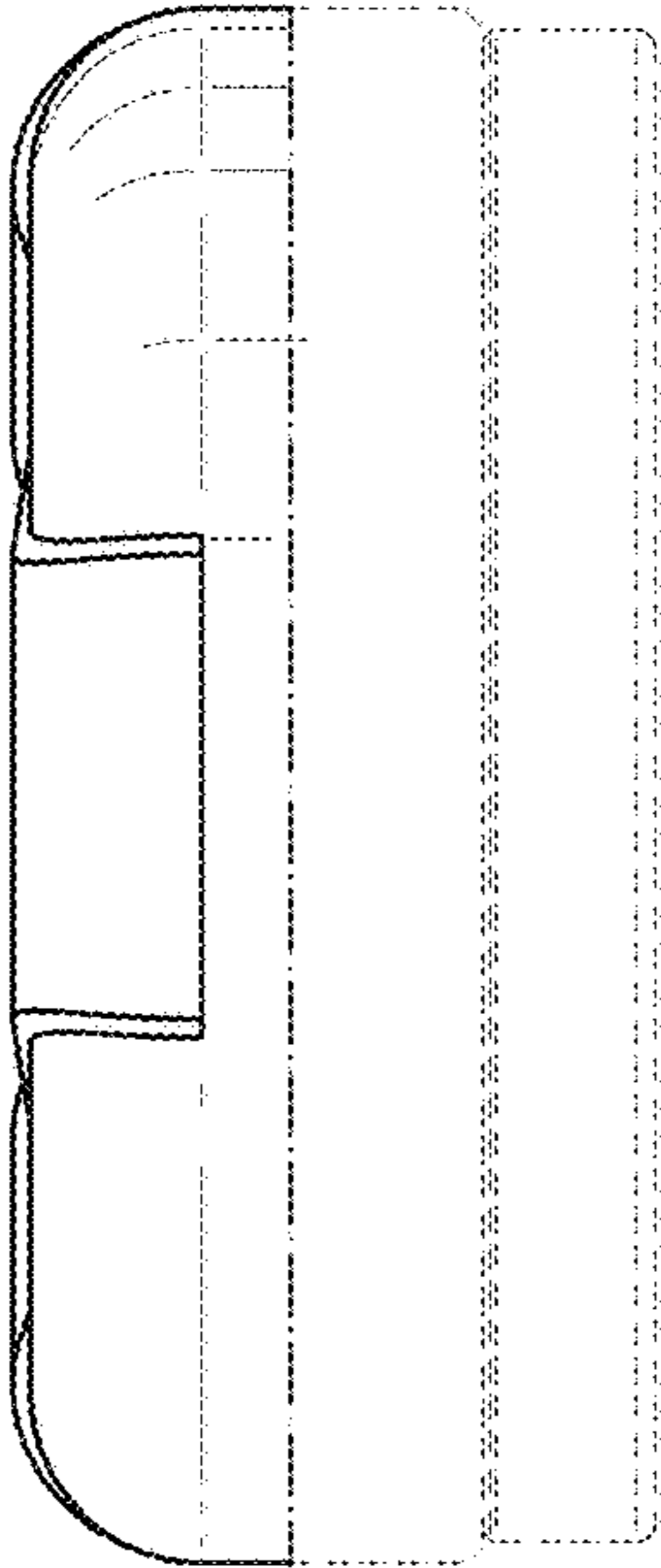


FIG. 8

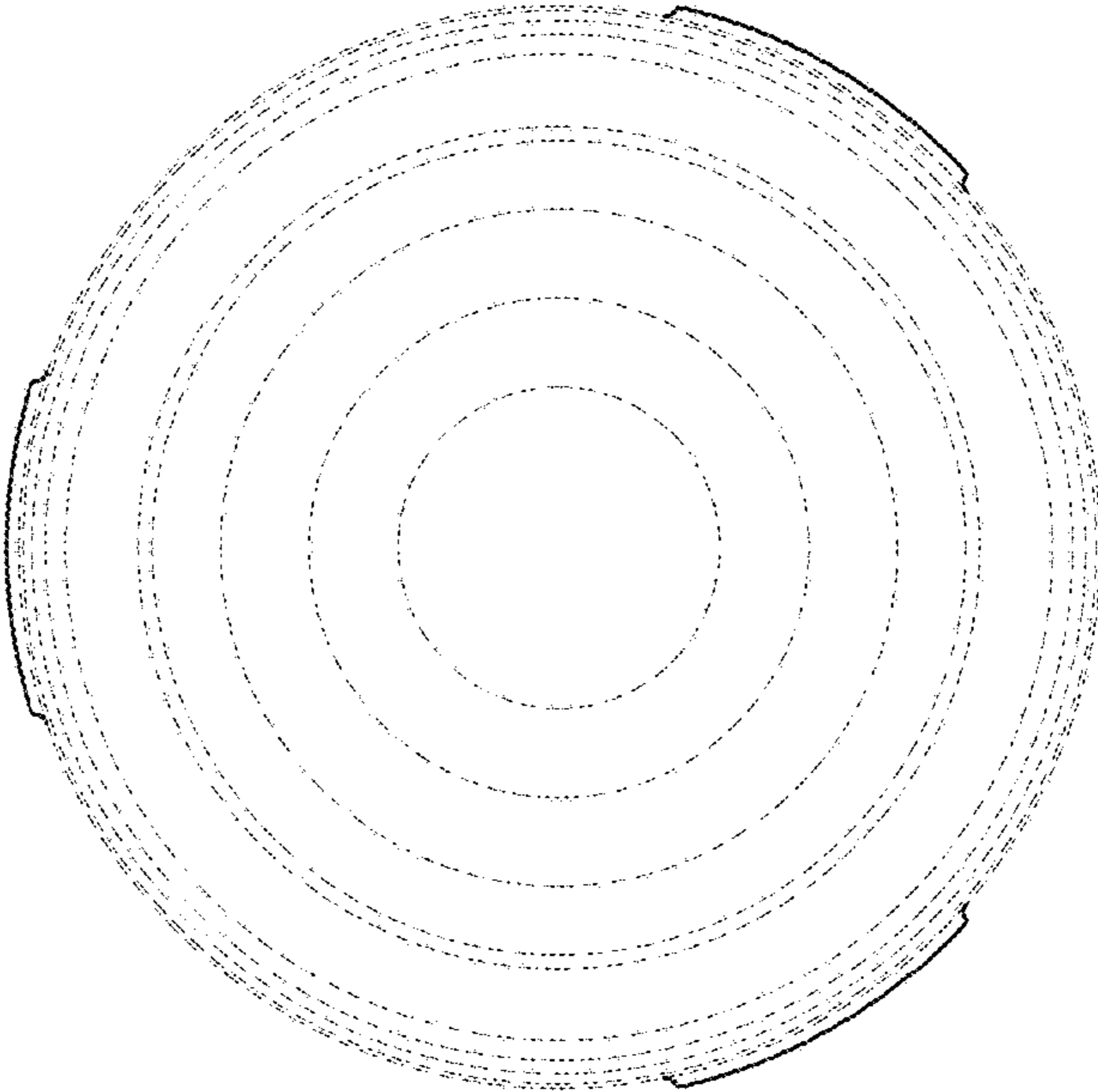


FIG. 9

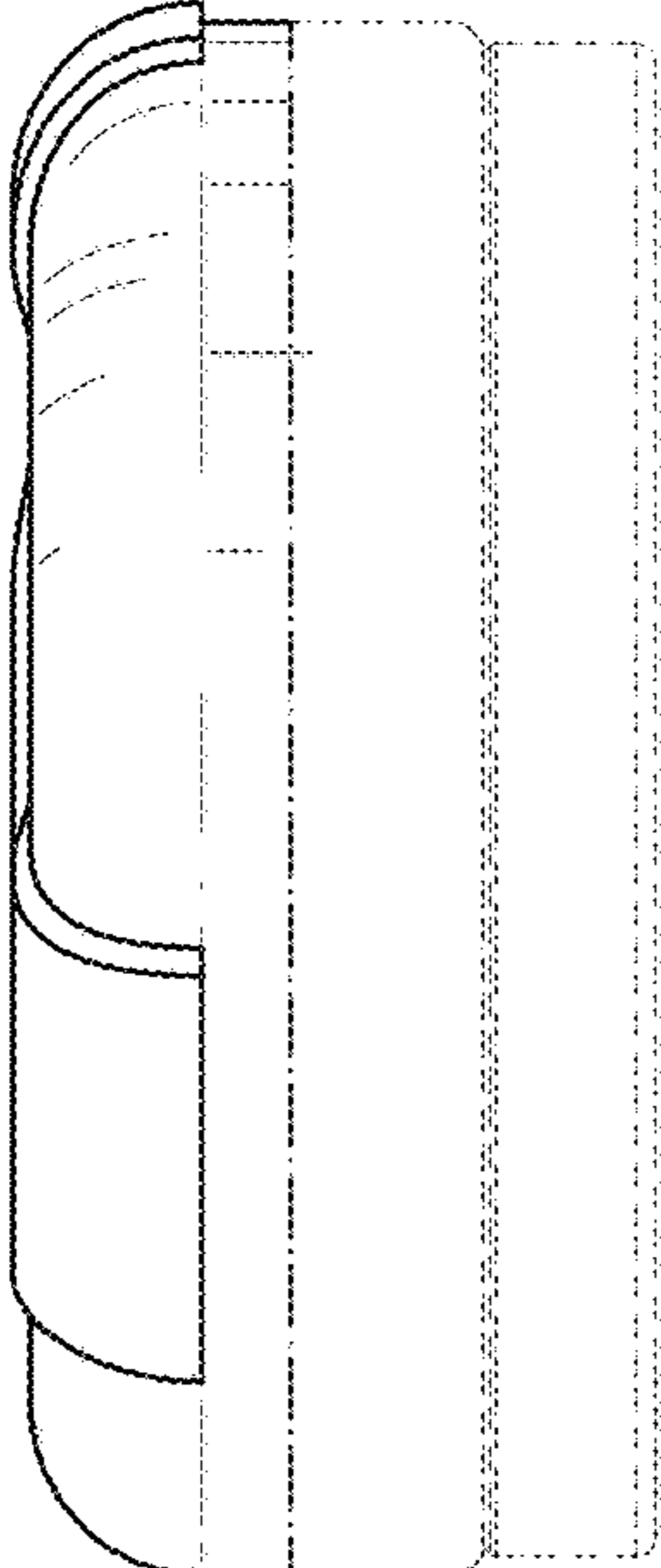


FIG. 7