



US00D830167S

(12) **United States Design Patent**  
**Zavada et al.**

(10) **Patent No.:** **US D830,167 S**  
(45) **Date of Patent:** **\*\* Oct. 9, 2018**

(54) **PACKAGE FOR A WRITING INSTRUMENT**

(71) Applicant: **Sanford, L.P.**, Downers Grove, IL (US)

(72) Inventors: **Mark Zavada**, Kalamazoo, MI (US);  
**Stefaan Van Den Broecke**, Kalamazoo, MI (US);  
**Ejung Kim**, Kalamazoo, MI (US); **Daniel Debartolo**, Chicago, IL (US)

(73) Assignee: **Sanford, L.P.**, Atlanta, GA (US)

(\*\*) Term: **15 Years**

(21) Appl. No.: **29/554,490**

(22) Filed: **Feb. 11, 2016**

(51) **LOC (11) Cl.** ..... **09-03**

(52) **U.S. Cl.**  
USPC ..... **D9/421**

(58) **Field of Classification Search**  
USPC ..... D9/421, 414-418, 423, 761, 424, 721,  
D9/425, 435, 456, 431, 432; D28/8.1;  
D3/276, 273, 274, 282, 905, 206;  
D27/189; D24/121; 206/427, 461  
CPC ..... B65D 75/245; B65D 43/164; B65D 5/12  
See application file for complete search history.

(56) **References Cited**

U.S. PATENT DOCUMENTS

D368,371 S *	4/1996	Calmeise	.....	D3/276
D383,840 S *	9/1997	Grossman	.....	D24/121
D387,983 S *	12/1997	Lanoie	.....	D9/418
D396,805 S *	8/1998	Broyles	.....	D9/432
D400,435 S *	11/1998	Appelbaum	.....	D9/415
D400,790 S *	11/1998	Appelbaum	.....	D9/415
D427,433 S *	7/2000	Leibeck	.....	D27/189
6,279,747 B1 *	8/2001	Zegarra	.....	A45C 3/00 206/579
D449,518 S *	10/2001	Snider	.....	D3/905
D451,016 S *	11/2001	Dittmar	.....	D9/415

D455,954 S *	4/2002	Dittmar	.....	D9/415
D467,077 S *	12/2002	Nawrozki	.....	D3/282
D474,401 S *	5/2003	Chiang	.....	D9/418
D481,868 S *	11/2003	Cunningham	.....	D3/273
D520,882 S *	5/2006	Vovan	.....	D9/761
D526,781 S *	8/2006	Feldmann	.....	D3/274
D556,570 S *	12/2007	Snow	.....	D9/431
D566,173 S *	4/2008	Roismann	.....	D3/206
D569,617 S *	5/2008	Lin	.....	D3/282
D605,516 S *	12/2009	Yang	.....	D9/415
D617,098 S *	6/2010	Huang	.....	D3/282
D622,059 S *	8/2010	Deguglimo	.....	D3/274
D647,526 S *	10/2011	Vandiver	.....	D14/440
8,066,125 B2 *	11/2011	Kang	.....	B65D 43/164 206/461
D652,321 S *	1/2012	Melnick	.....	D9/721
8,104,616 B2 *	1/2012	Dalea	.....	B65D 75/245 206/427
D685,178 S *	7/2013	Lv	.....	D3/206

(Continued)

*Primary Examiner* — Rhea M Shields

(74) *Attorney, Agent, or Firm* — Eversheds Sutherland (US) LLP

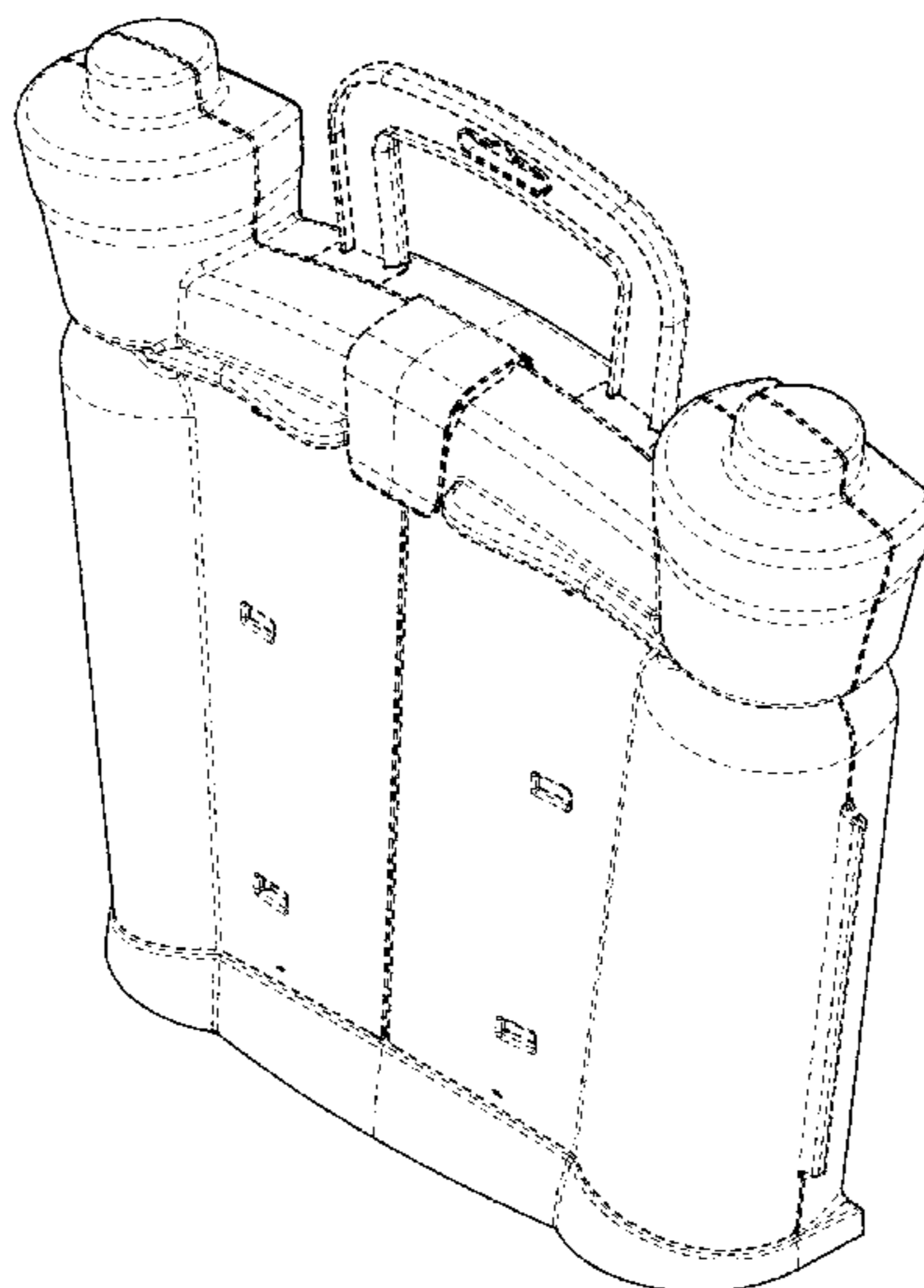
(57) **CLAIM**

The ornamental design for a “package for a writing instrument,” as shown and described.

**DESCRIPTION**

FIG. 1 is a perspective view of a package for a writing instrument showing a new design; FIG. 2 is a front view thereof; FIG. 3 is a back view thereof; FIG. 4 is a left view thereof; FIG. 5 is a right view thereof; FIG. 6 is a top view thereof; and, FIG. 7 is a bottom view thereof. In the drawings, the broken lines are for the purpose of illustrating environment only and form no part of the claimed design.

**1 Claim, 7 Drawing Sheets**



(56)

**References Cited**

U.S. PATENT DOCUMENTS

D689,766	S *	9/2013	Oppenheim	.....	D9/415
D720,133	S *	12/2014	Robinson	.....	D3/282
D727,023	S *	4/2015	Robinson	.....	D3/274
D784,350	S *	4/2017	Li	.....	D14/440
D802,413	S *	11/2017	Gondor	.....	D9/415
D811,008	S *	2/2018	Link	.....	D28/8.1
D813,028	S *	3/2018	Saito	.....	D9/415
D815,030	S *	4/2018	Petrella	.....	D13/102
9,938,037	B2 *	4/2018	Kocon	.....	B65D 5/12
D816,487	S *	5/2018	Su	.....	D9/424
D817,589	S *	5/2018	Culbreth	.....	D99/28
2017/0245611	A1 *	8/2017	Brown, Jr.	.....	A45C 11/34

\* cited by examiner

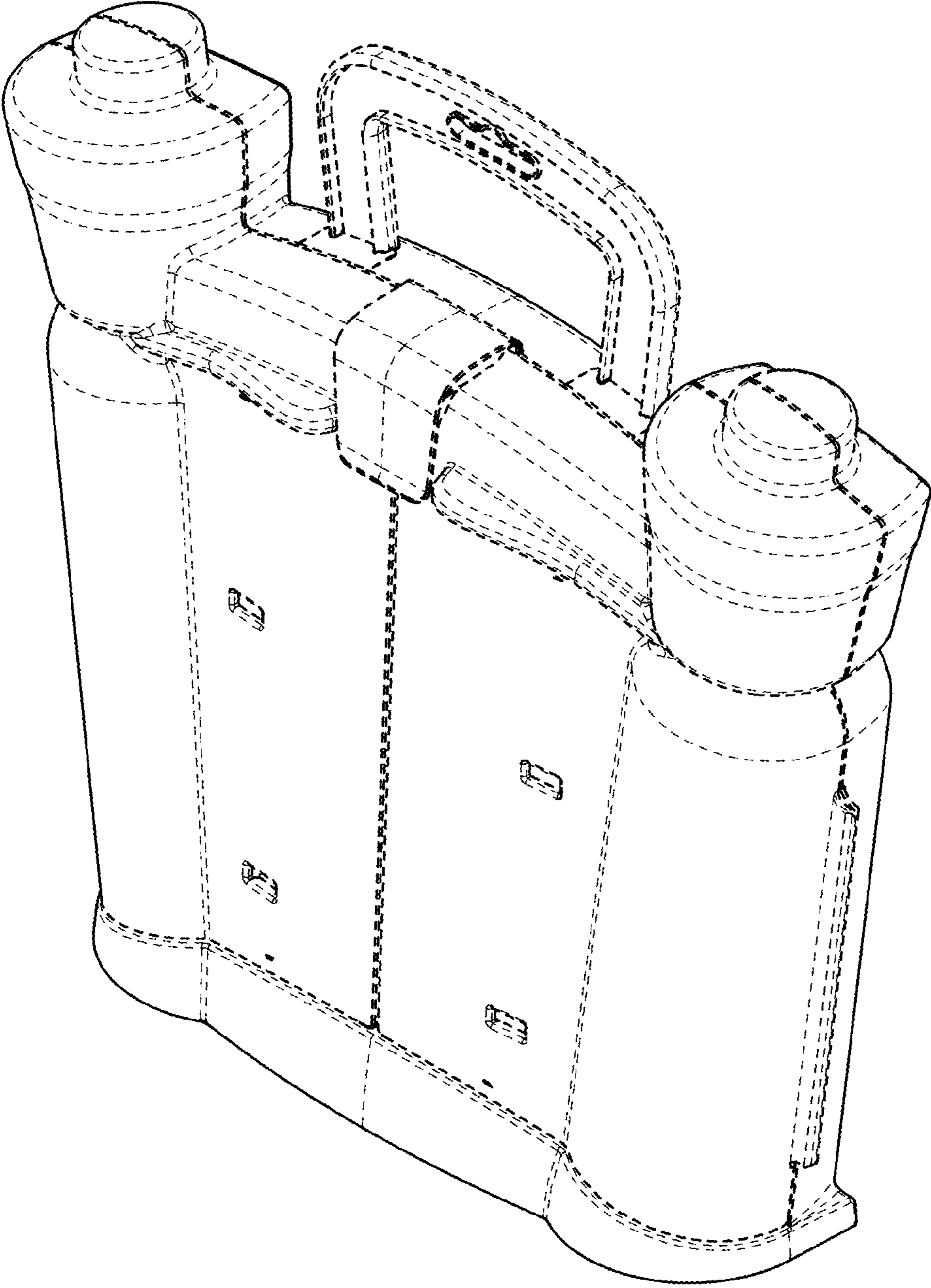


FIG. 1

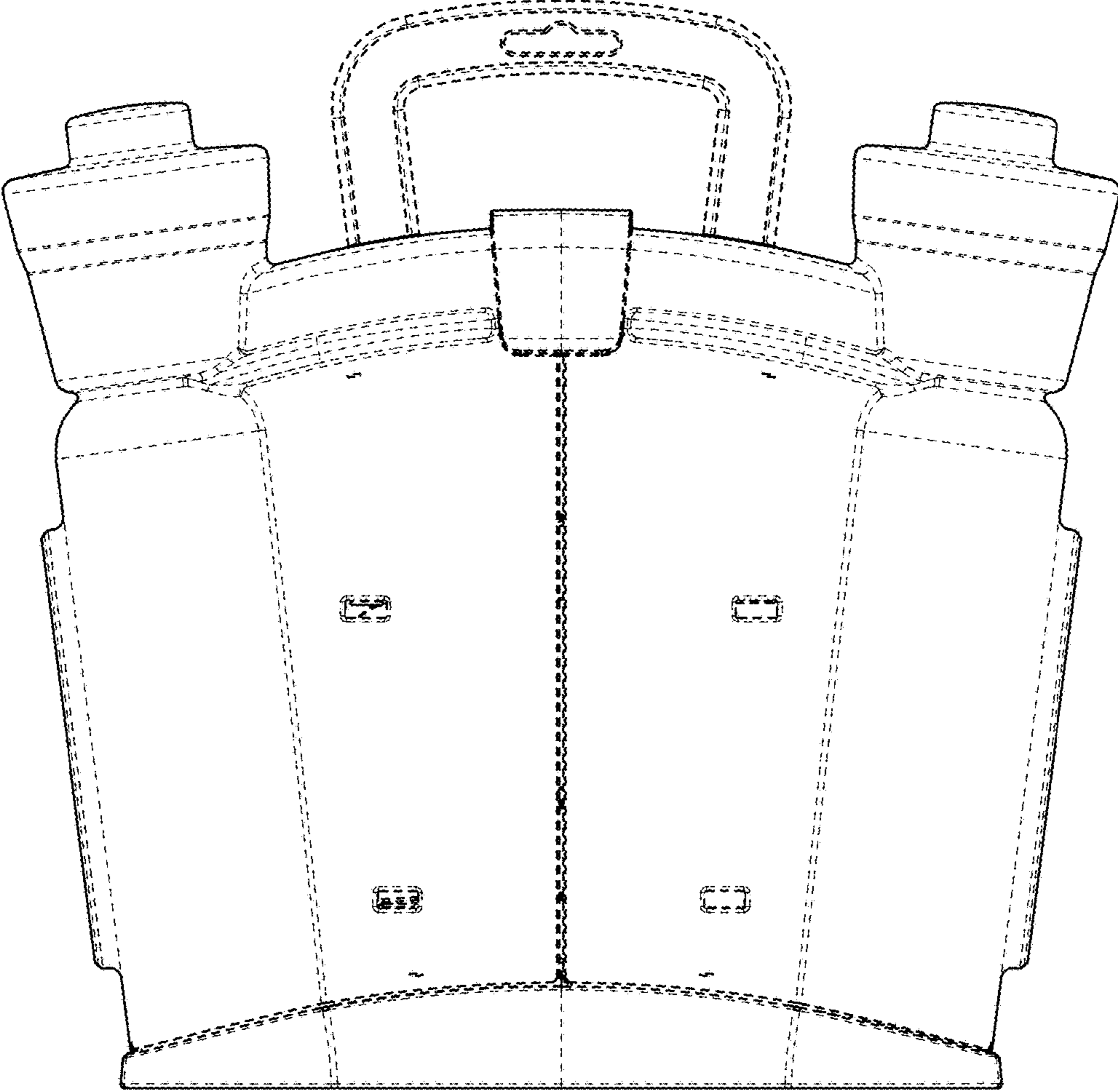


FIG. 2

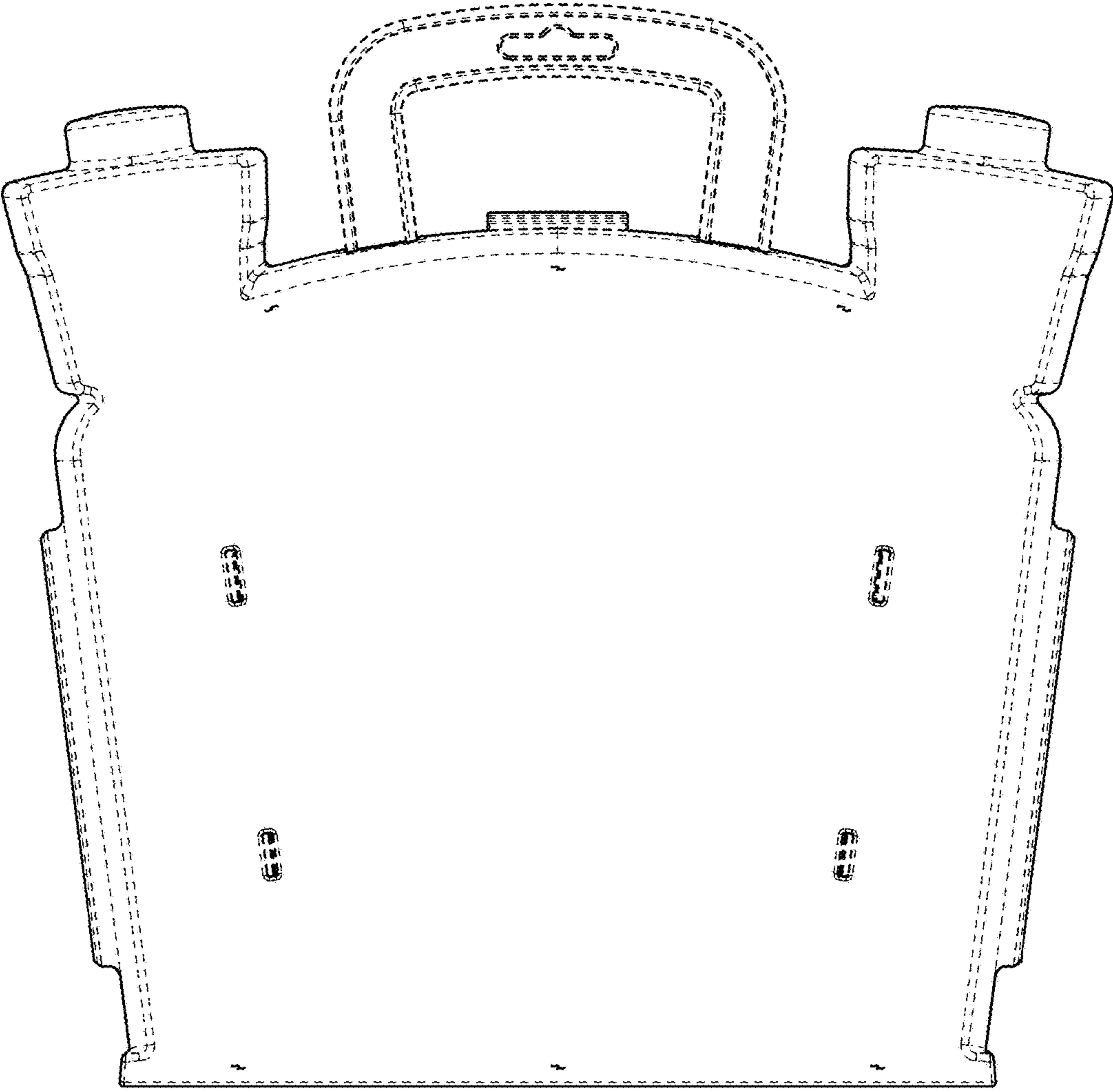


FIG. 3

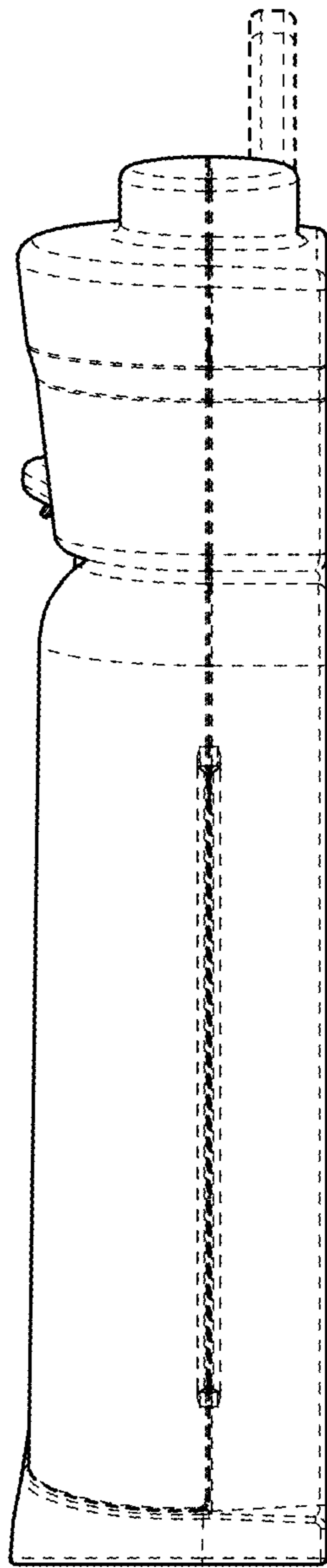


FIG. 4

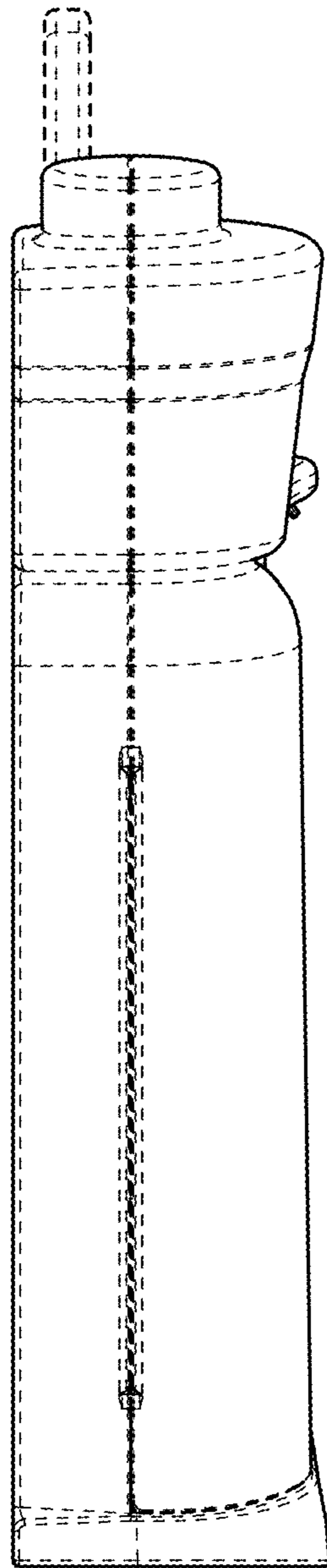


FIG. 5

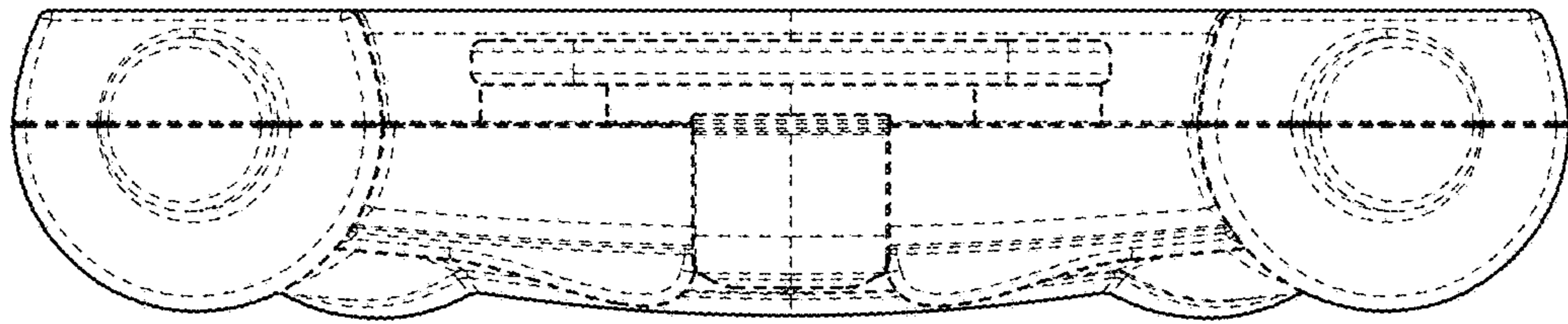


FIG. 6



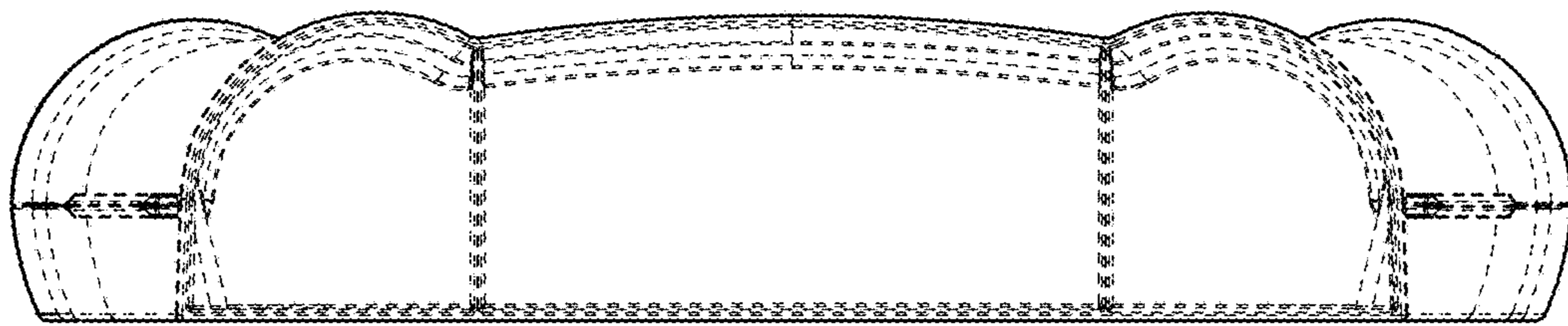


FIG. 7