



US00D830166S

(12) **United States Design Patent**
Hwang

(10) **Patent No.:** **US D830,166 S**

(45) **Date of Patent:** **** Oct. 9, 2018**

(54) **CONTAINER FOR COSMETICS**

(71) Applicant: **FSKOREA. CO., LTD.**, Seoul (KR)

(72) Inventor: **Jae Kwang Hwang**, Seoul (KR)

(73) Assignee: **FSKOREA. CO., LTD.**, Seoul (KR)

(**) Term: **15 Years**

(21) Appl. No.: **29/606,242**

(22) Filed: **Jun. 2, 2017**

(30) **Foreign Application Priority Data**

Jan. 11, 2017 (KR) 30-2017-0001807

(51) **LOC (11) Cl.** **09-03**

(52) **U.S. Cl.**
USPC **D9/420**

(58) **Field of Classification Search**
USPC D9/420, 421, 424-426, 428-430, 434,
D9/435, 503, 504, 522, 529; D28/8, 58,
D28/59, 64.1, 64.6, 76-78, 82, 84, 89,
D28/91; D24/224; D7/629
CPC A45D 33/00-33/003; A45D 33/006; B65D
85/1045; B65D 5/00; B65D 5/542; B65D
2207/00

See application file for complete search history.

(56) **References Cited**

U.S. PATENT DOCUMENTS

D259,473 S *	6/1981	Konya	D9/420
D473,345 S *	4/2003	Thorpe	D28/82
D496,759 S *	9/2004	Rodriguez	D28/82
D518,713 S *	4/2006	Hierzer	D9/435
D523,177 S *	6/2006	Ashiwa	D28/82
D626,289 S *	10/2010	Lee	D28/82
D631,608 S *	1/2011	Pires	D28/82
D754,402 S *	4/2016	Kalyanpur	D28/84

D762,990 S *	8/2016	Hwang	D4/138
D798,603 S *	10/2017	Hwang	D4/127
2005/0011806 A1 *	1/2005	Byun	A45D 33/006 206/581
2009/0308408 A1 *	12/2009	Winckels	A45D 33/008 132/295
2011/0266297 A1 *	11/2011	Thorpe	A45C 13/008 220/831
2014/0261530 A1 *	9/2014	McNamara	A45D 33/008 132/301
2016/0255939 A1 *	9/2016	Seo	A45D 33/006
2017/0086560 A1 *	3/2017	Pires	A45D 33/32
2017/0099930 A1 *	4/2017	Kim	A45D 33/008
2017/0245622 A1 *	8/2017	Cicchetti	A45D 40/222

* cited by examiner

Primary Examiner — Barbara Fox

Assistant Examiner — Mehri F Bajoul

(74) *Attorney, Agent, or Firm* — Studebaker & Brackett
PC

(57) **CLAIM**

The ornamental design for a container for cosmetics, as shown and described.

DESCRIPTION

FIG. 1 is a perspective view of a container for cosmetics showing my new design;
FIG. 2 is a front view thereof;
FIG. 3 is a rear view thereof;
FIG. 4 is a left side view thereof;
FIG. 5 is a right side view thereof;
FIG. 6 is a top plan view thereof;
FIG. 7 is a bottom plan view thereof; and,
FIG. 8 is a perspective view of FIG. 1 showing the state that a brush is combined to the container for cosmetics.
The broken lines shown in the drawings depict portions of the container for cosmetics that form no part of the claimed design.

1 Claim, 8 Drawing Sheets

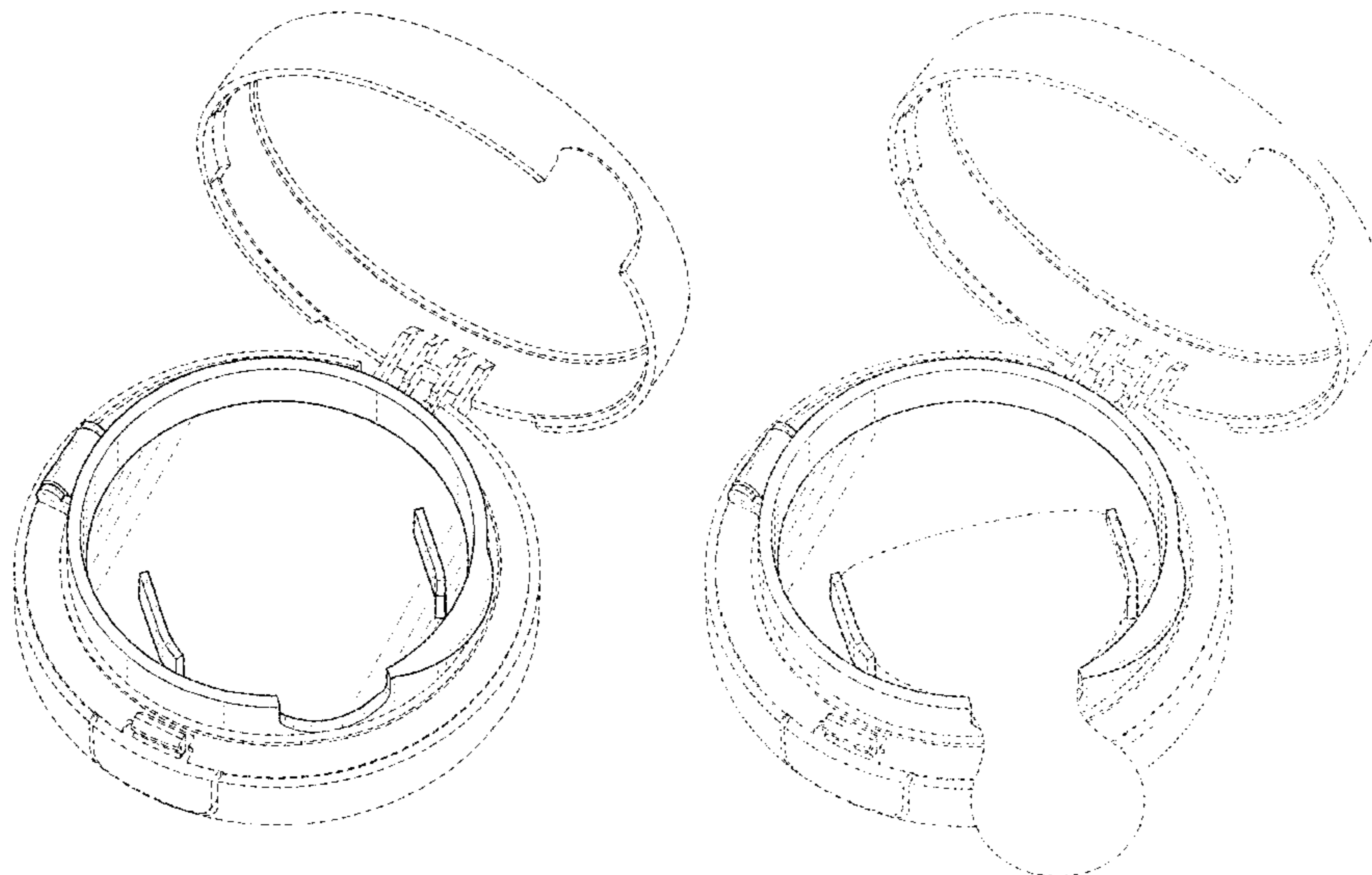


FIG. 1

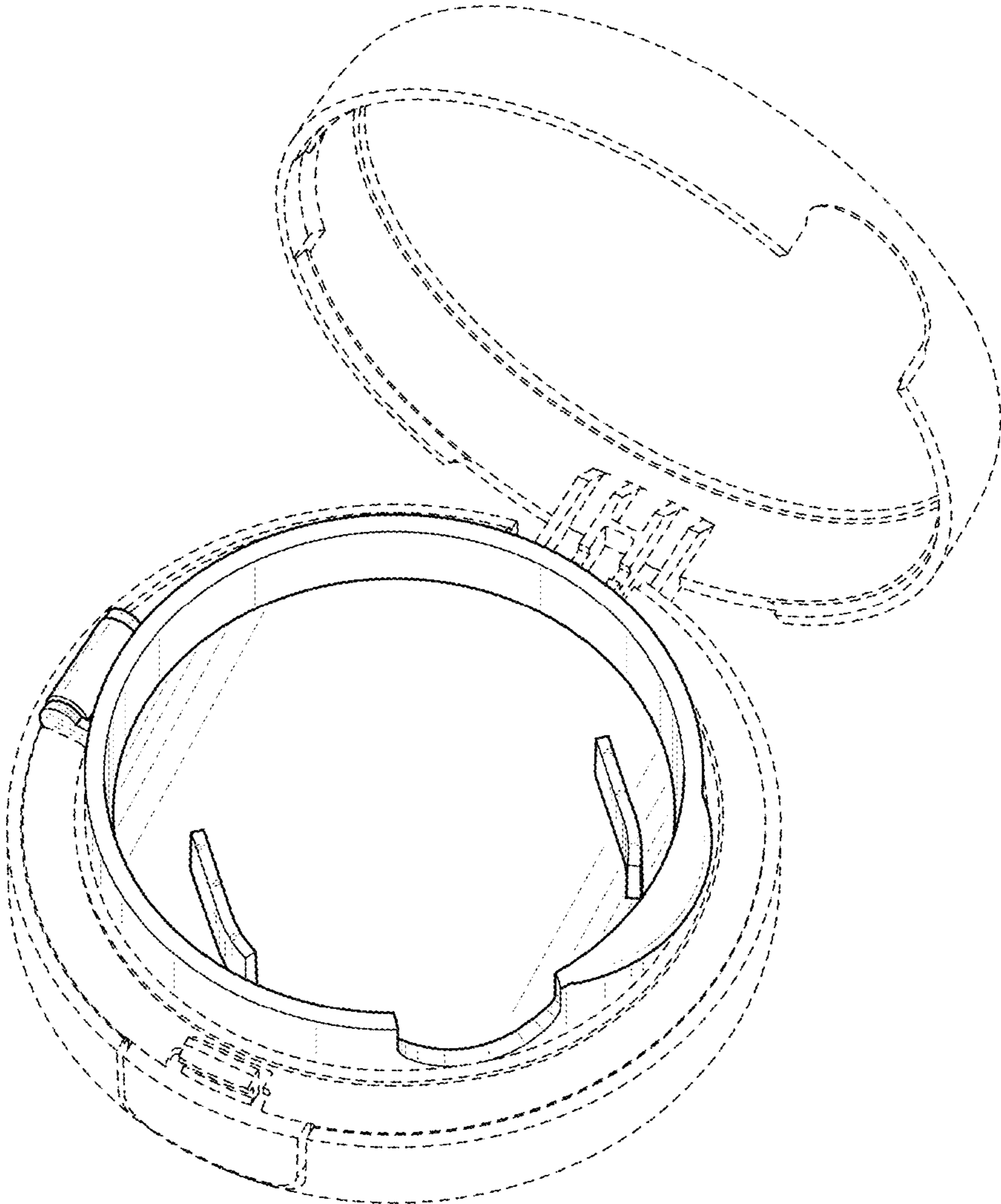


FIG. 2

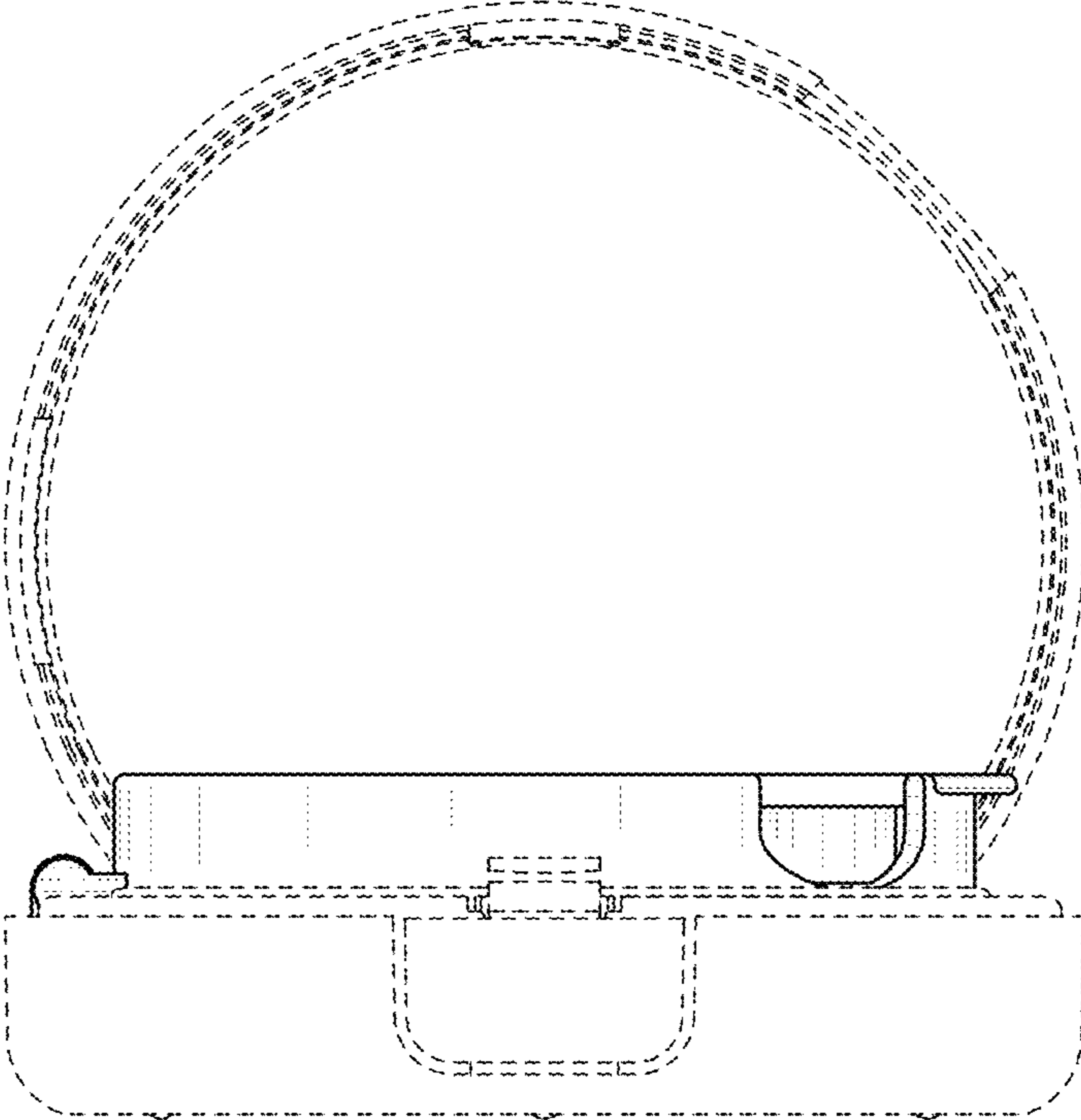


FIG. 3

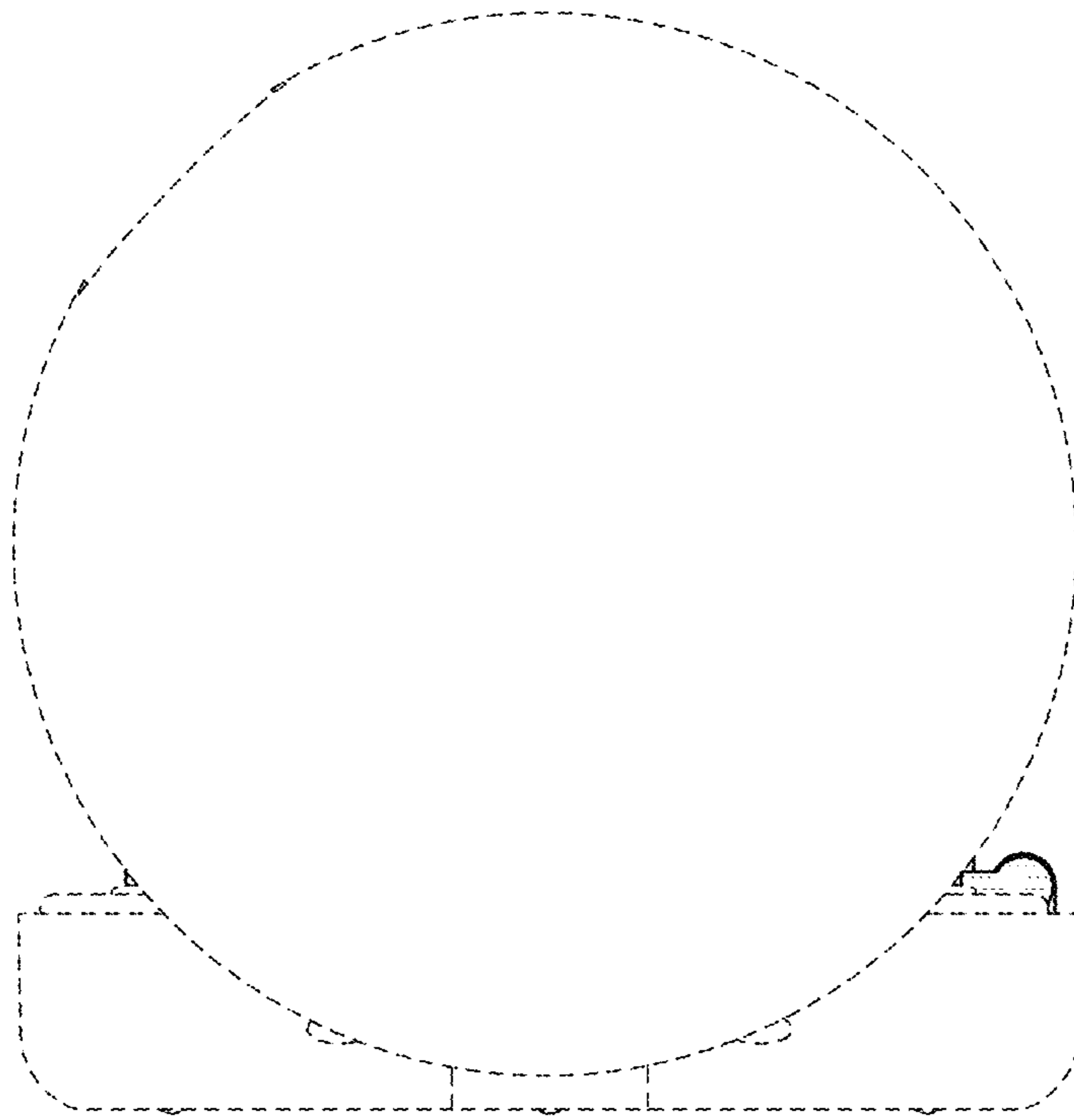


FIG. 4

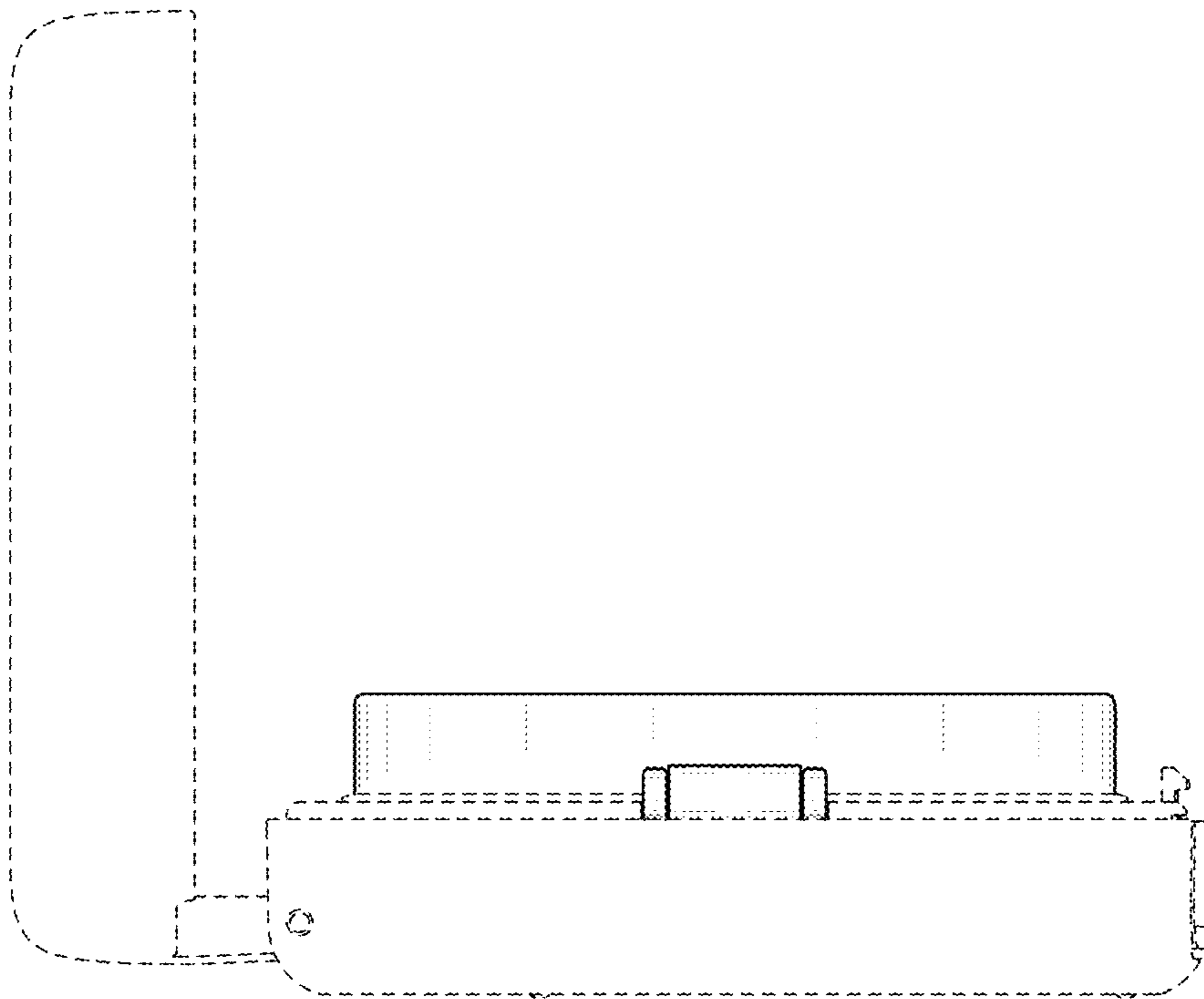


FIG. 5

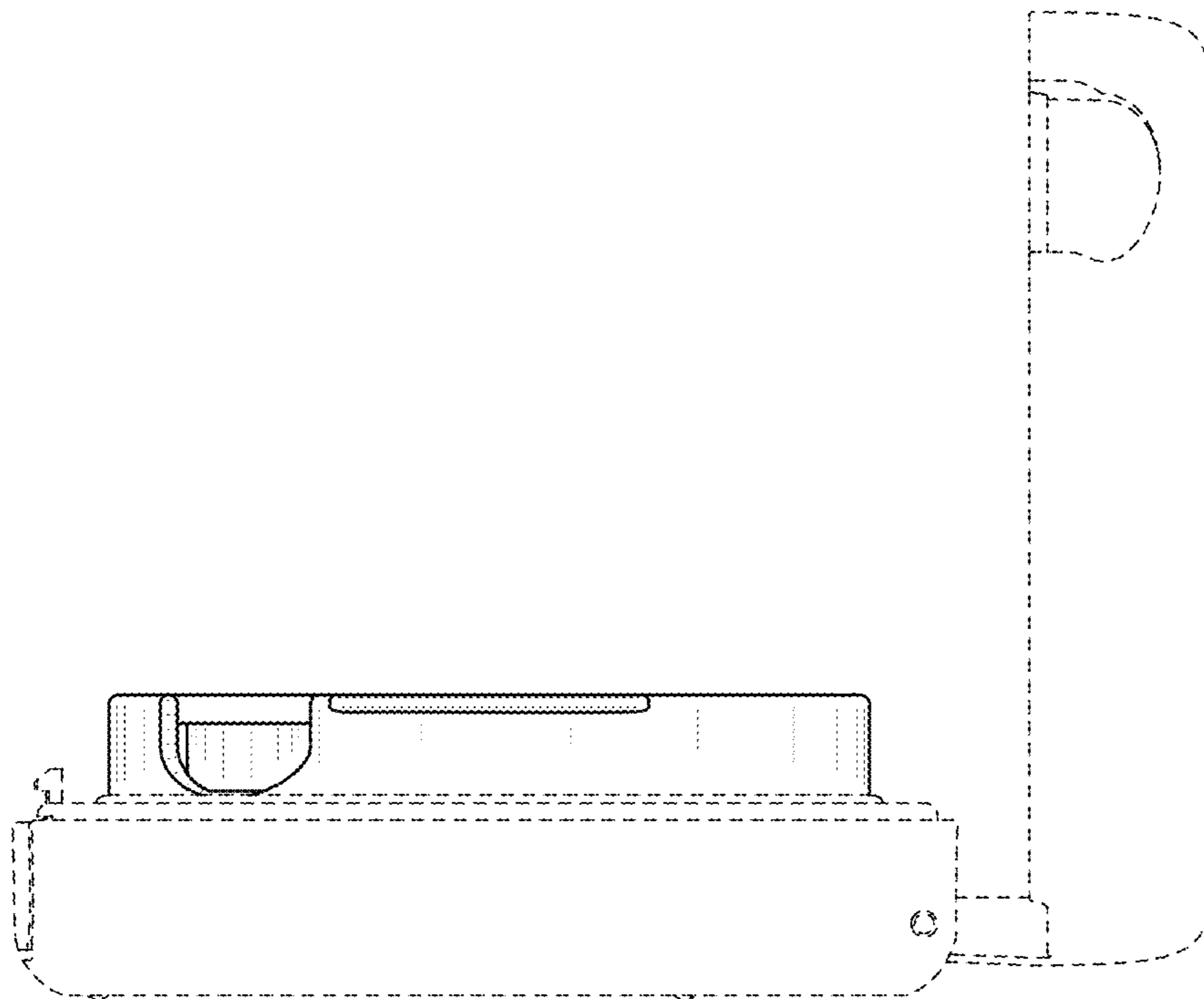


FIG. 6

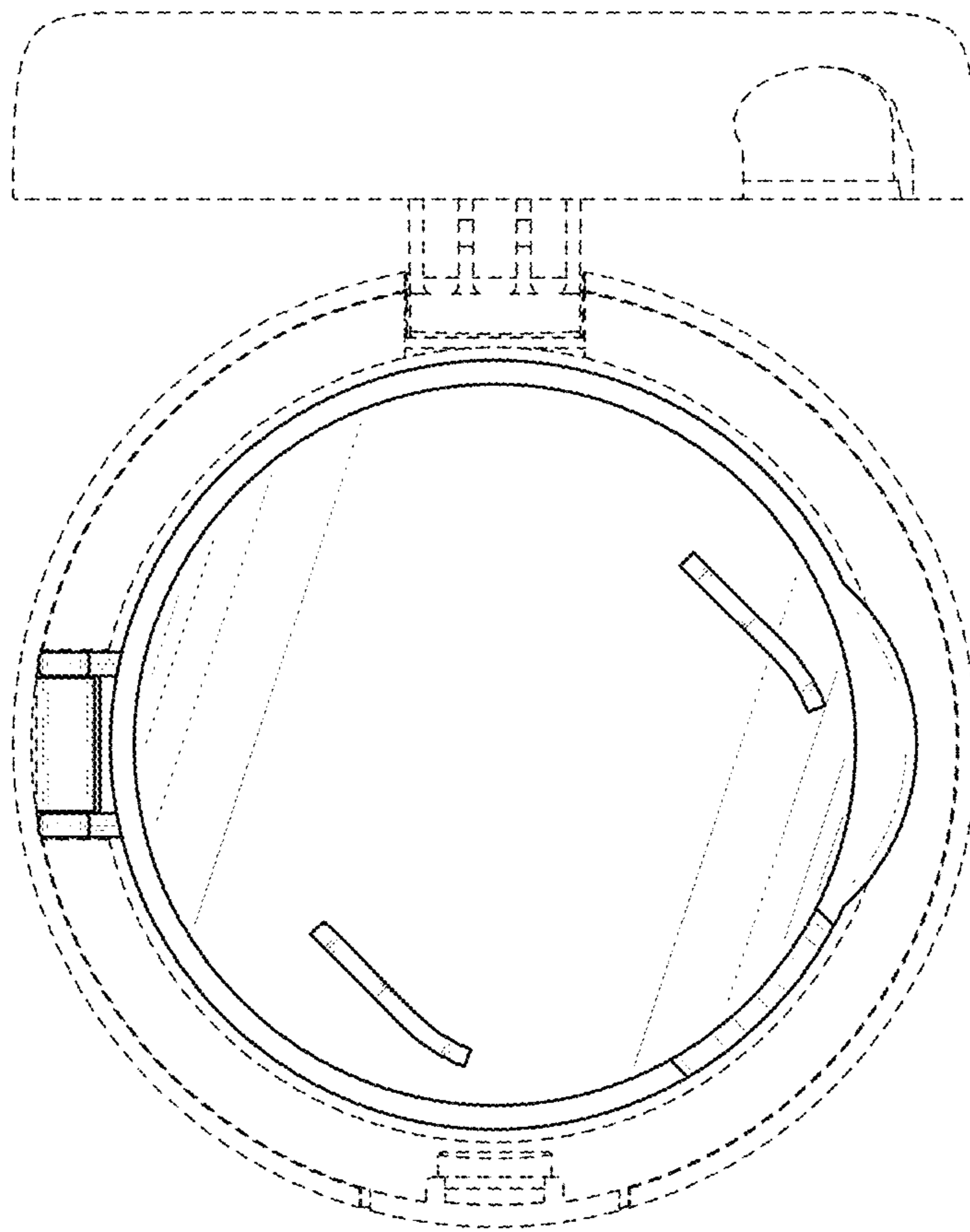


FIG. 7

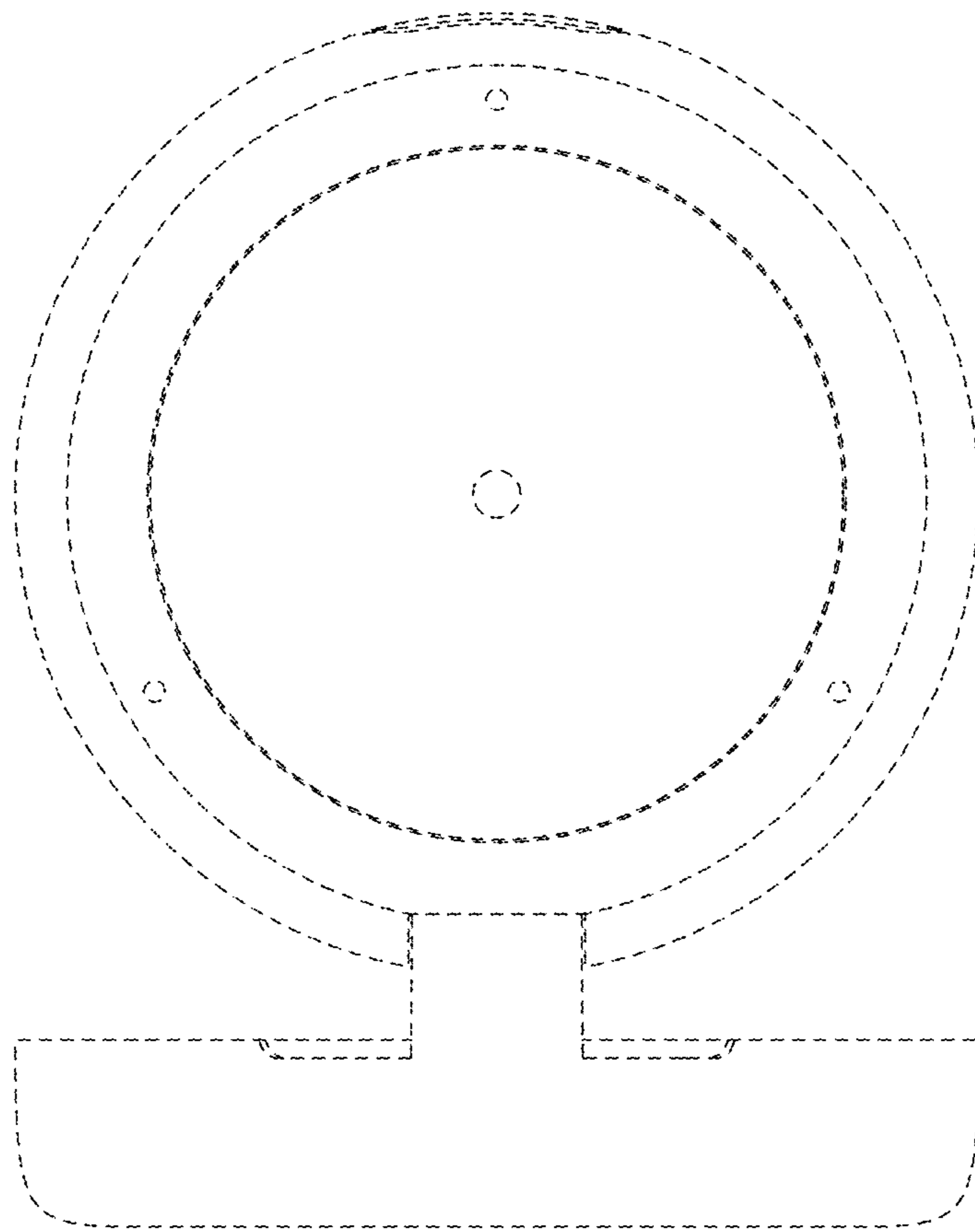


Fig. 8

